



US00D656839S

(12) **United States Design Patent**  
**Shaw et al.**

(10) **Patent No.:** **US D656,839 S**

(45) **Date of Patent:** **\*\* Apr. 3, 2012**

(54) **BOTTLE WITH CLOSURE**

(75) Inventors: **Jason (Patrick) Shaw**, Liberty Township, OH (US); **Devin (William) Baldrige**, Cincinnati, OH (US); **Bryan (Martin) Shova**, Milford, OH (US); **Dong Ruan**, Beijing (CN)

(73) Assignee: **The Procter & Gamble Company**, Cincinnati, OH (US)

(\*\*) Term: **14 Years**

(21) Appl. No.: **29/401,179**

(22) Filed: **Sep. 8, 2011**

**Related U.S. Application Data**

(62) Division of application No. 29/349,159, filed on Mar. 12, 2010, now Pat. No. Des. 646,979.

(51) **LOC (9) Cl.** ..... **09-01**

(52) **U.S. Cl.** ..... **D9/682**

(58) **Field of Classification Search** ..... D9/682,  
D9/685-687, 690-694, 516, 522, 529-530,  
D9/541-543, 552, 565, 571, 574-575; 215/382-384;  
220/660, 669, 675

See application file for complete search history.

(56) **References Cited**

**U.S. PATENT DOCUMENTS**

D26,924 S	4/1897	Cropper	
D94,498 S	2/1935	Leach	
D94,861 S	3/1935	Smith	
D95,489 S	6/1935	Leach	
2,586,687 A	2/1952	Mellon	
D185,432 S	6/1959	Goldstein	
D256,774 S	9/1980	Bedin	
D273,564 S	4/1984	Spielhoff	
D302,248 S	7/1989	Sala	
D434,984 S *	12/2000	Wadsworth	D9/448
D436,863 S *	1/2001	Wadsworth et al.	D9/448
D444,390 S	7/2001	Kokenge et al.	

D445,037 S	7/2001	Kokenge et al.	
D451,402 S	12/2001	Kokenge et al.	
D460,348 S *	7/2002	Crawford et al.	D9/682
D465,150 S *	11/2002	Crawford et al.	D9/682
D467,163 S *	12/2002	Crawford	D9/682
D478,273 S *	8/2003	Derman	D9/691
D521,873 S *	5/2006	Ross	D9/691
D522,876 S *	6/2006	Braaten et al.	D9/691
D524,166 S *	7/2006	Walther et al.	D9/682
D526,568 S	8/2006	Bakic	
D527,258 S *	8/2006	Crawford	D9/448
D527,650 S *	9/2006	Ross	D9/691
D532,309 S	11/2006	Stolle	
D535,887 S	1/2007	Haubert et al.	
D537,362 S *	2/2007	Ivankovic	D9/691
D549,109 S *	8/2007	Jones	D9/691
D555,007 S *	11/2007	Penfold et al.	D9/682
D557,146 S *	12/2007	Penfold et al.	D9/690
D559,114 S	1/2008	Breitlander	
D567,107 S *	4/2008	Crawford et al.	D9/682
D569,263 S *	5/2008	Bradley et al.	D9/691

(Continued)

**OTHER PUBLICATIONS**

U.S. Appl. No. 29/349,159, filed Mar. 12, 2010, Jason Patrick Shaw et al.

*Primary Examiner* — Carol P Rademaker

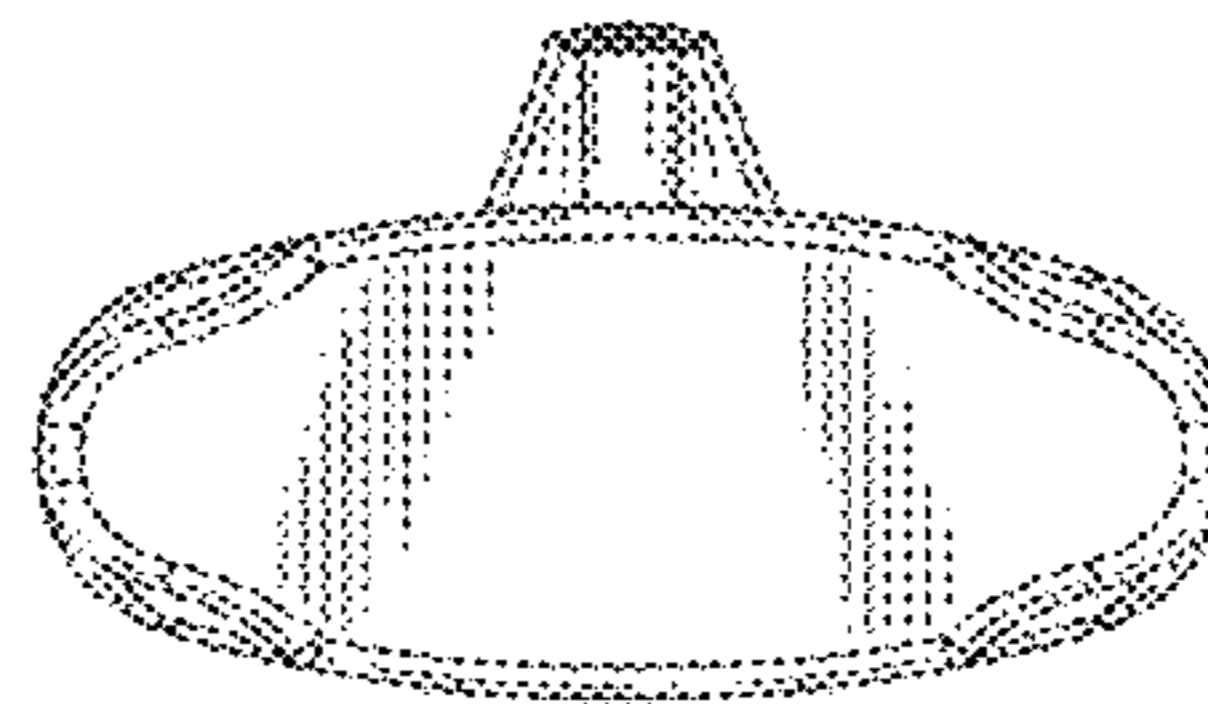
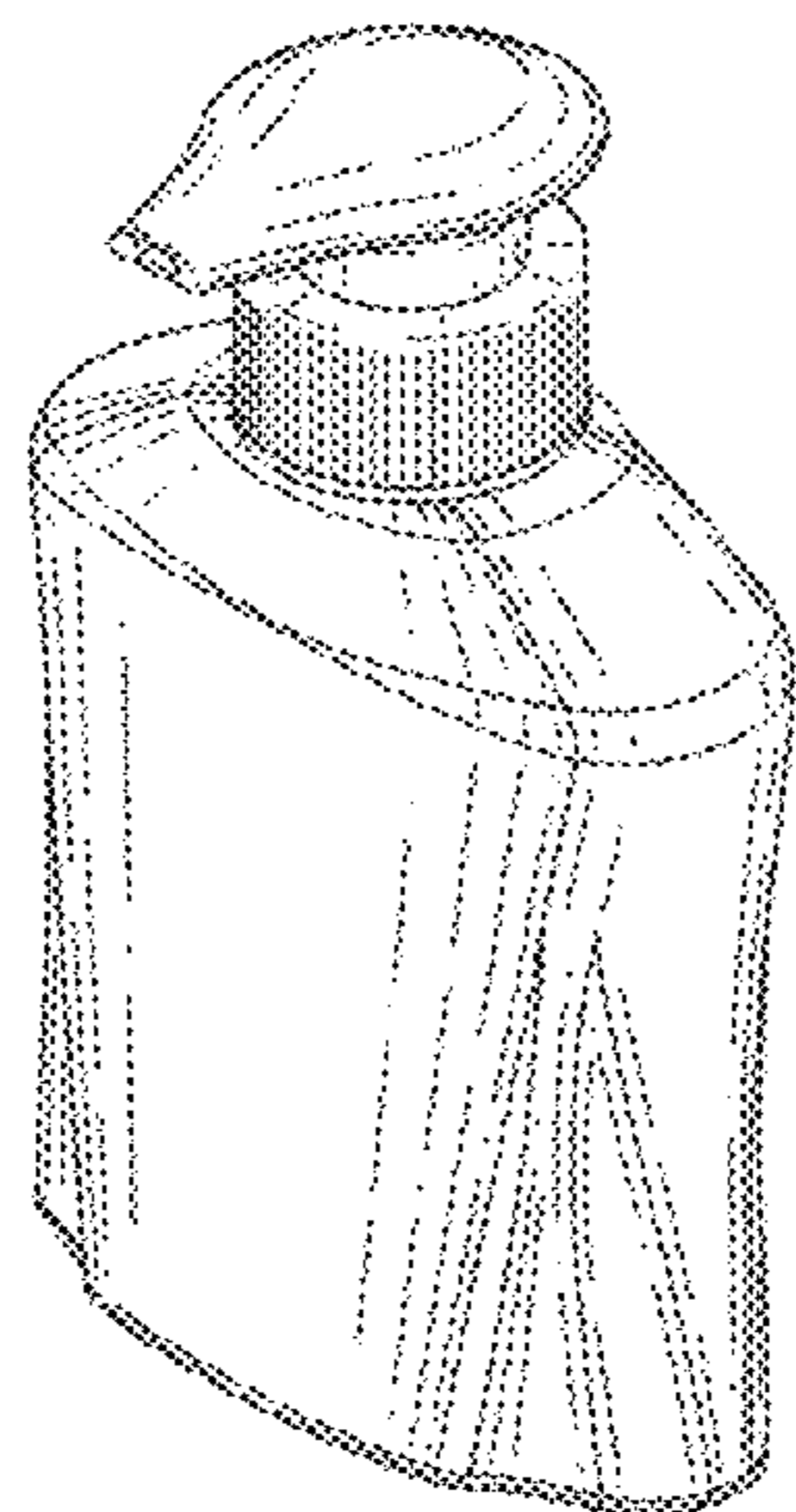
(57) **CLAIM**

The ornamental design for a bottle with closure, as shown and described.

**DESCRIPTION**

FIG. 1 is a top, front, and right side perspective view of a bottle with closure embodying our new design; FIG. 2 is a front elevational view thereof; FIG. 3 is a rear elevational view thereof; FIG. 4 is a right side elevational view thereof, the left side elevational view being a mirror image; FIG. 5 is a top plan view thereof; and, FIG. 6 is a bottom plan view thereof.

**1 Claim, 5 Drawing Sheets**



# US D656,839 S

Page 2

---

## U.S. PATENT DOCUMENTS

D574,248 S	8/2008	Baraky et al.	
D575,166 S *	8/2008	Miller et al. ....	D9/693
D579,778 S	11/2008	De Gopegui et al.	
D585,291 S	1/2009	Colatrella et al.	
D597,411 S	8/2009	Colatrella et al.	
D603,715 S	11/2009	Serrano Diaz	
D625,606 S	10/2010	Hirst et al.	
D629,307 S	12/2010	Hirst et al.	
D636,261 S *	4/2011	Michitsuji et al. ....	D9/448
D636,262 S *	4/2011	Michitsuji et al. ....	D9/448

\* cited by examiner

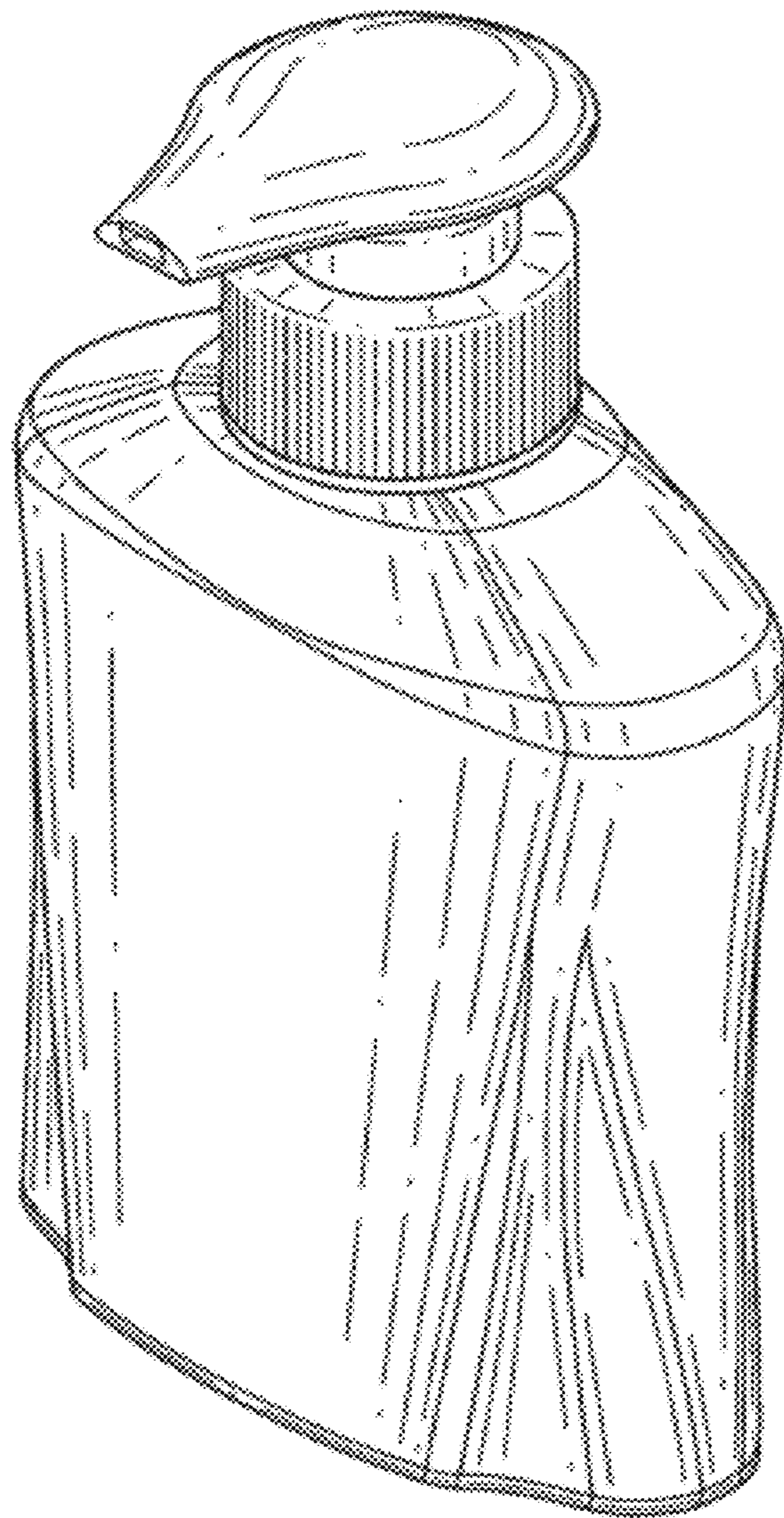


Fig. 1

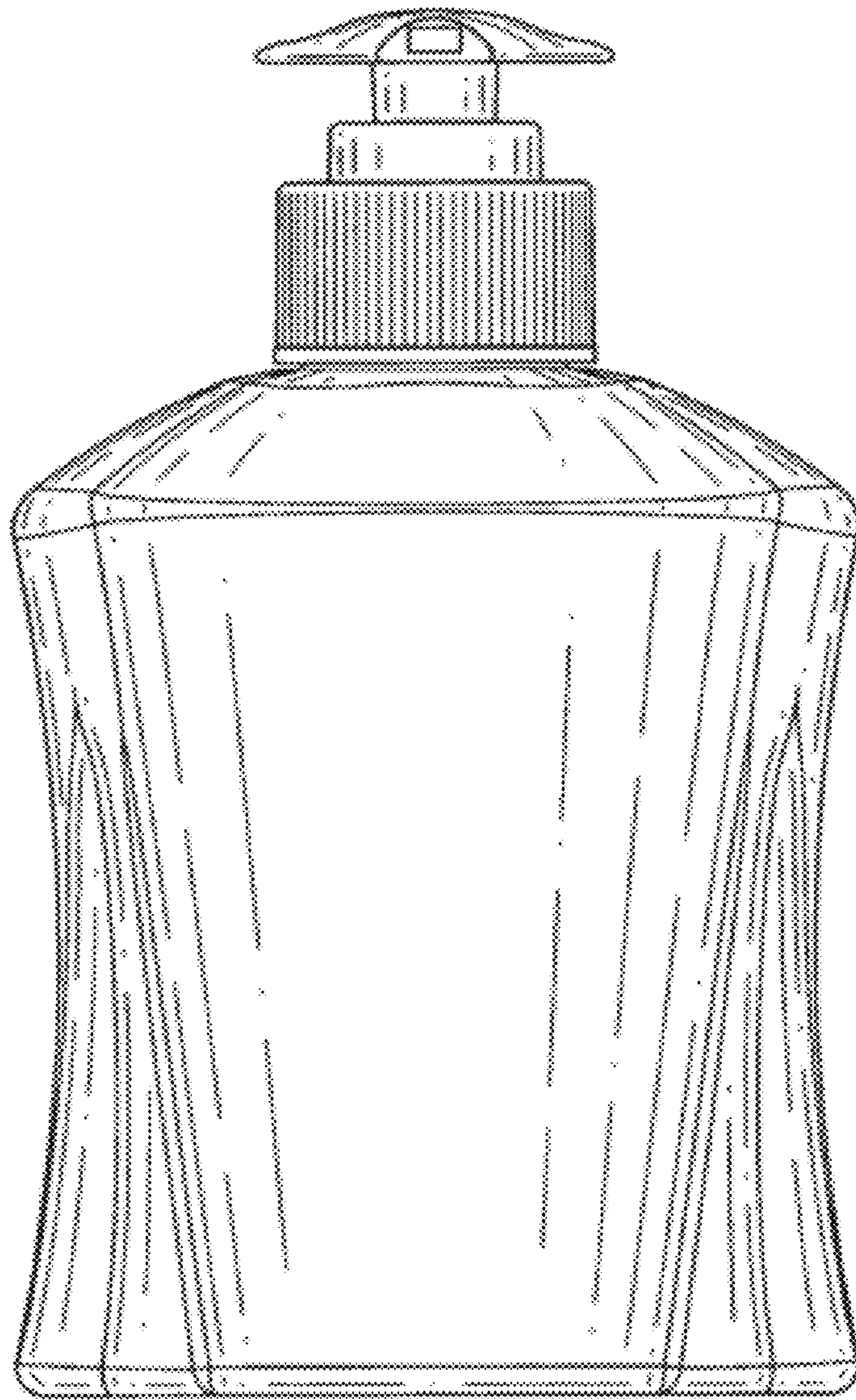


Fig. 2

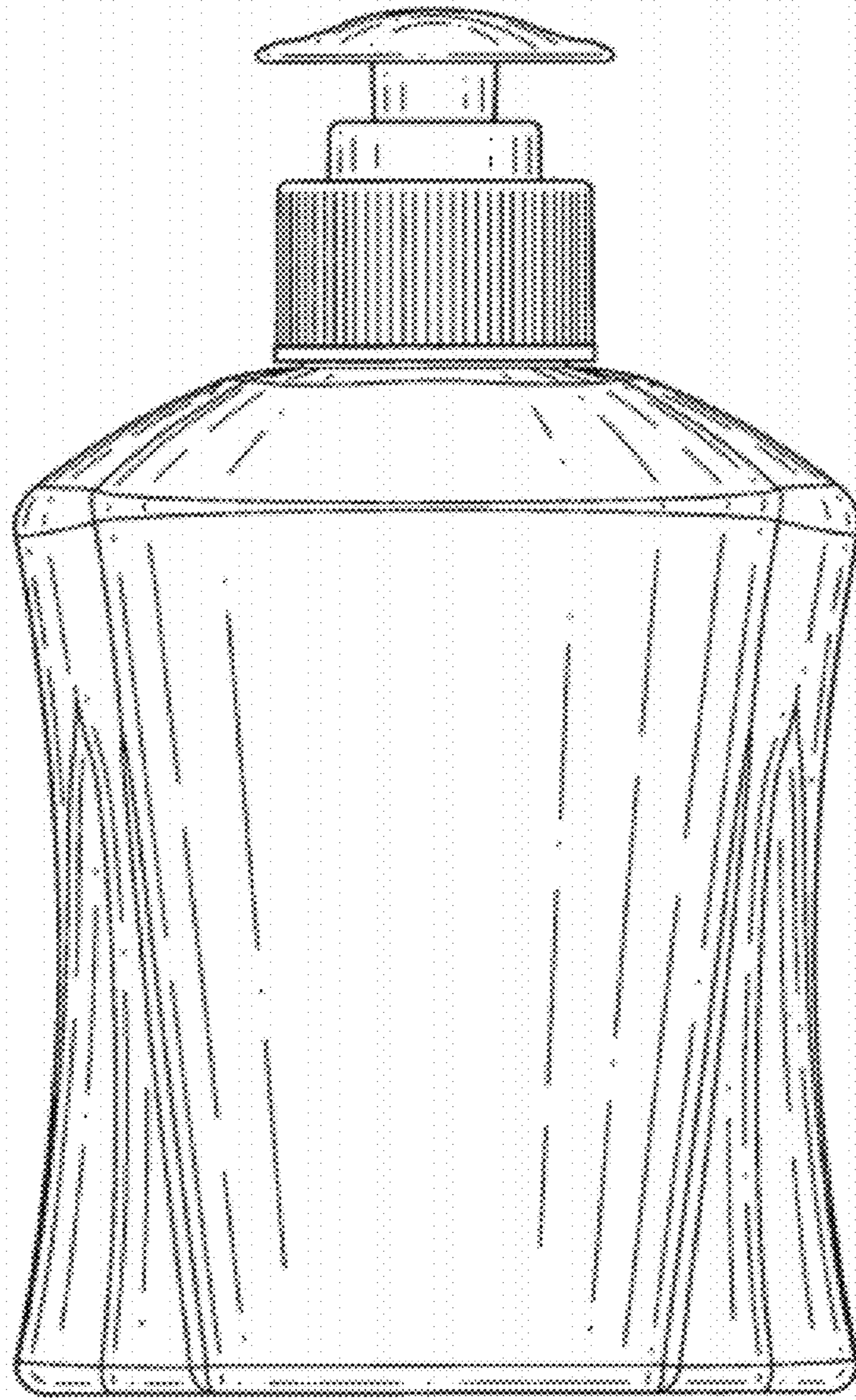


Fig. 3

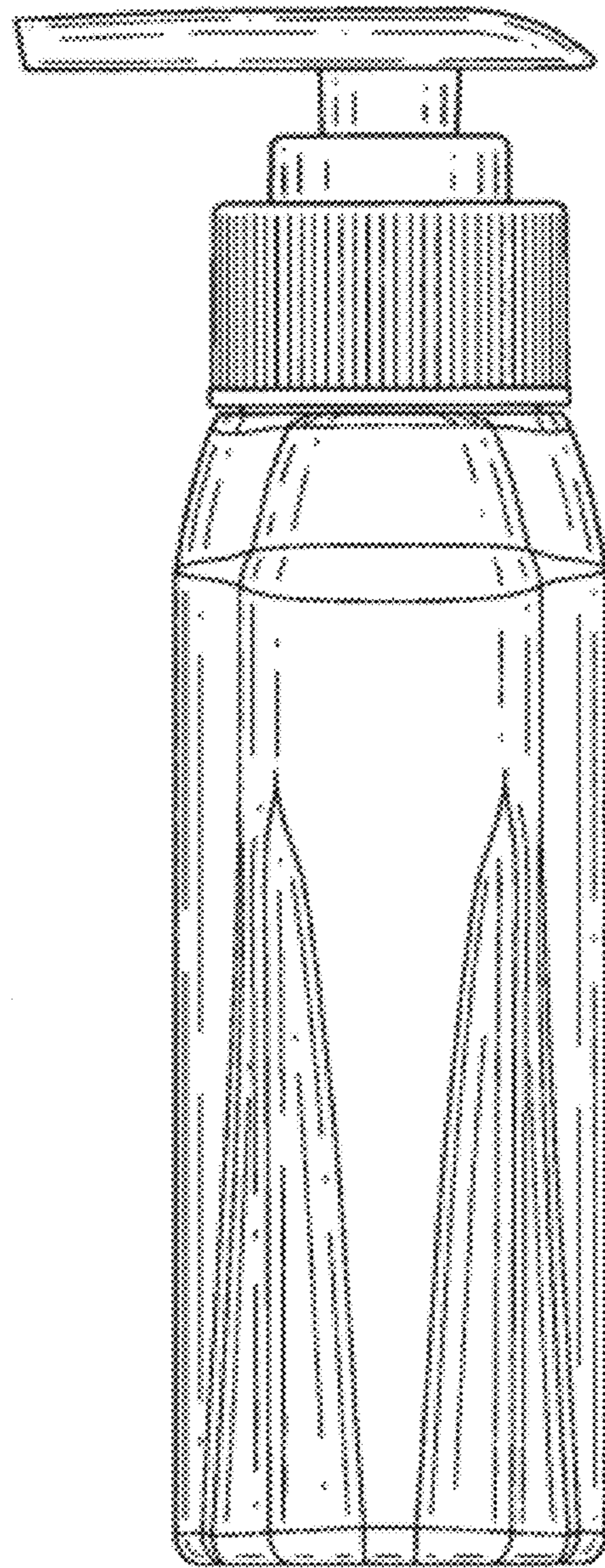


Fig. 4

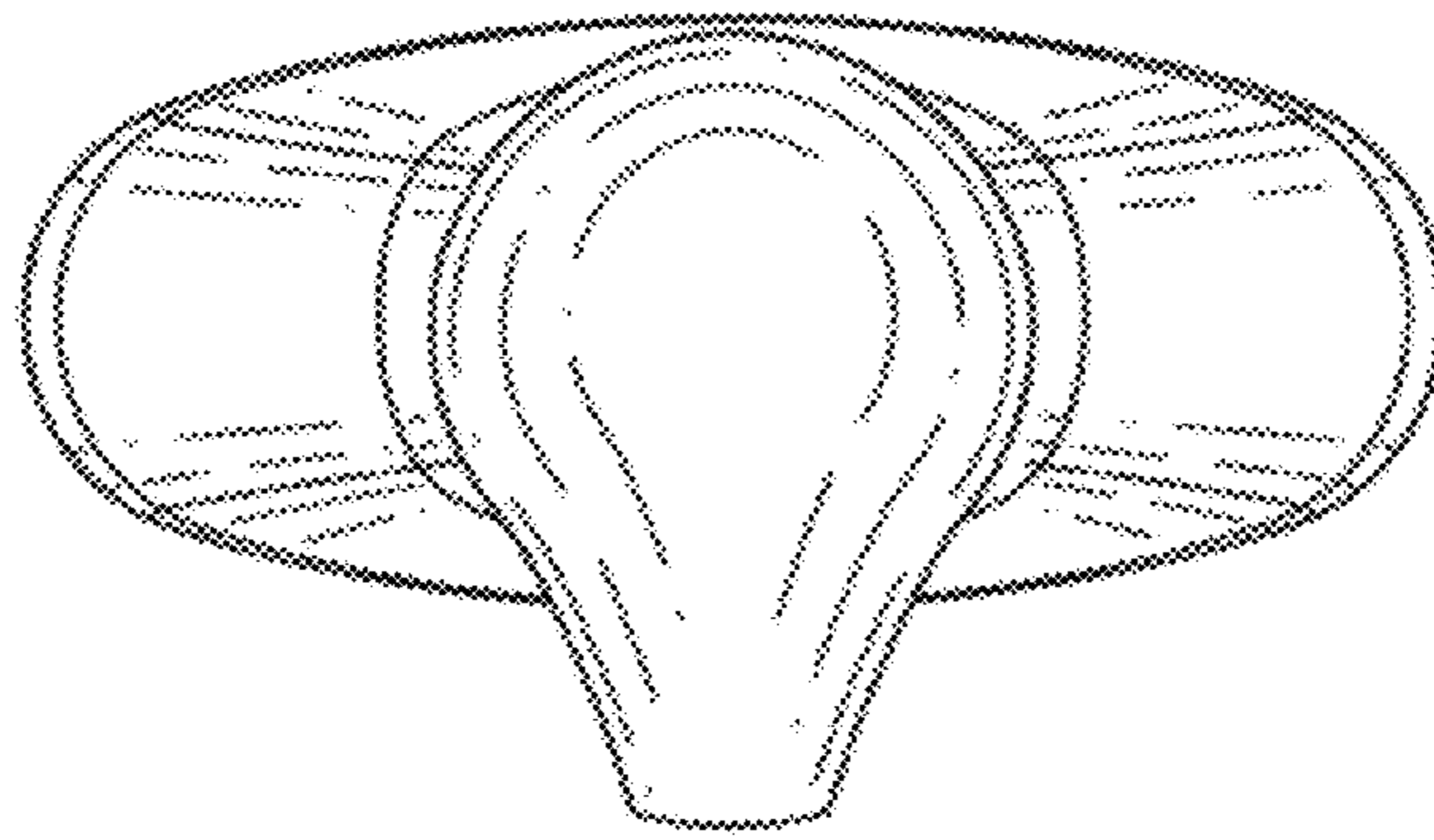


Fig. 5

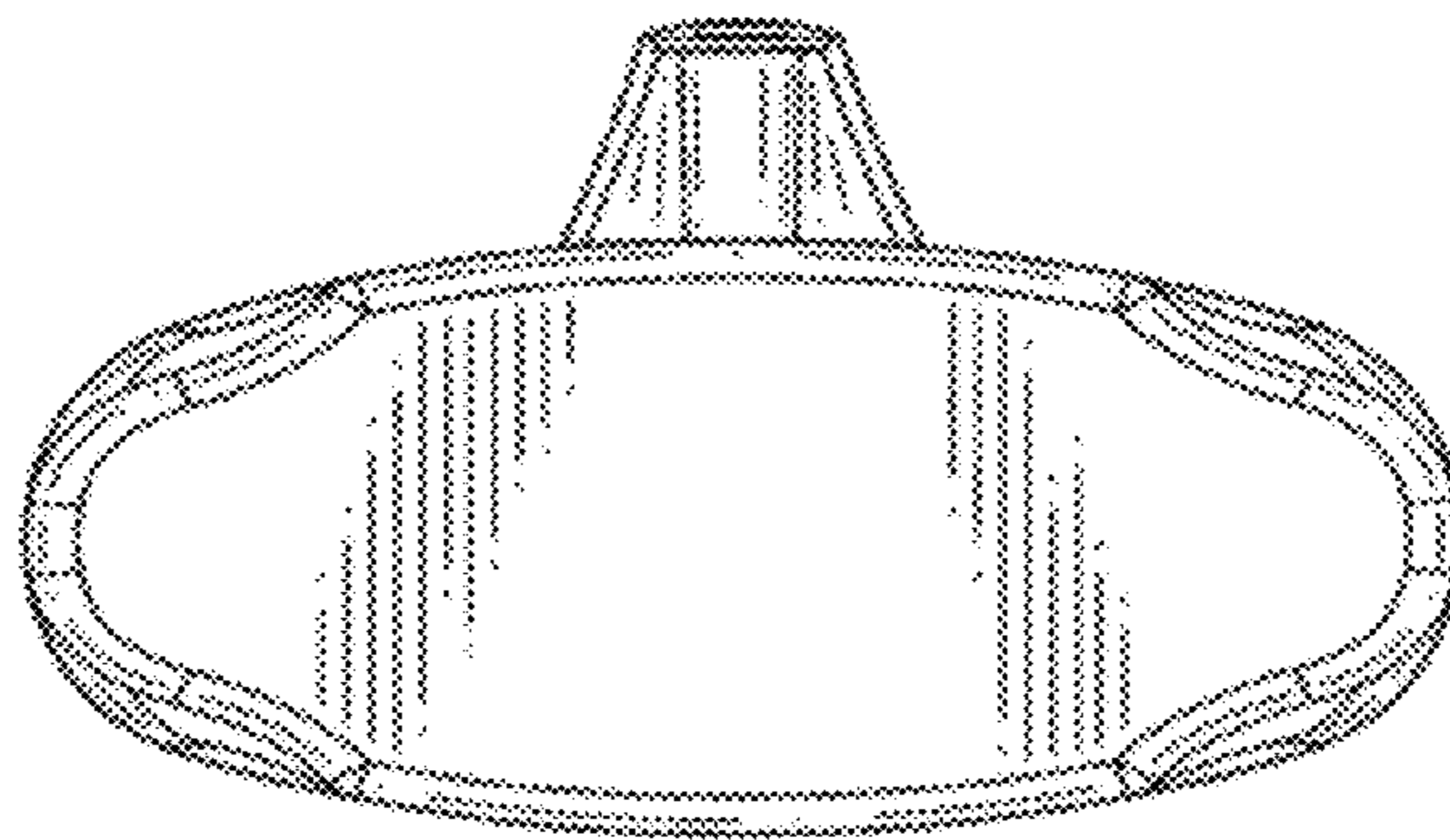


Fig. 6