



US00D656830S

(12) **United States Design Patent**
Rodríguez

(10) **Patent No.:** **US D656,830 S**

(45) **Date of Patent:** **** Apr. 3, 2012**

(54) **BOTTLE**

(75) Inventor: **Alonso Gonzalez Rodriguez**, Naucalpan (MX)

(73) Assignee: **Grupo Pavisá S.A. de C.V.**, Naucalpan Estado de Mexico (MX)

(**) Term: **14 Years**

(21) Appl. No.: **29/391,752**

(22) Filed: **May 12, 2011**

(30) **Foreign Application Priority Data**

Apr. 20, 2011 (MX) MX/f/2011/001216

(51) **LOC (9) Cl.** **09-01**

(52) **U.S. Cl.** **D9/520; D9/544; D9/572; D9/575**

(58) **Field of Classification Search** D9/516,
D9/520, 544, 546, 559-560, 572-575, 682,
D9/686-687, 693-694, 900; 215/379, 381;
220/660, 662-663, 665, 669, 675

See application file for complete search history.

(56) **References Cited**

U.S. PATENT DOCUMENTS

D526,212 S *	8/2006	Faillant-Dumas	D9/694
D536,259 S *	2/2007	Herrmann	D9/573
D540,688 S *	4/2007	Lascaux	D9/560
D542,144 S *	5/2007	Herrmann	D9/560
D542,670 S *	5/2007	Herrmann	D9/544
D553,004 S *	10/2007	Krakoff	D9/694
D574,257 S *	8/2008	Zeidan	D9/694
D576,052 S *	9/2008	Lloyd et al.	D9/694
D587,596 S *	3/2009	Lloyd	D9/572
D619,470 S *	7/2010	Zeidan	D9/544

* cited by examiner

Primary Examiner — Ian Simmons

Assistant Examiner — Dana L Sipos

(74) *Attorney, Agent, or Firm* — Birch, Stewart, Kolasch & Birch, LLP

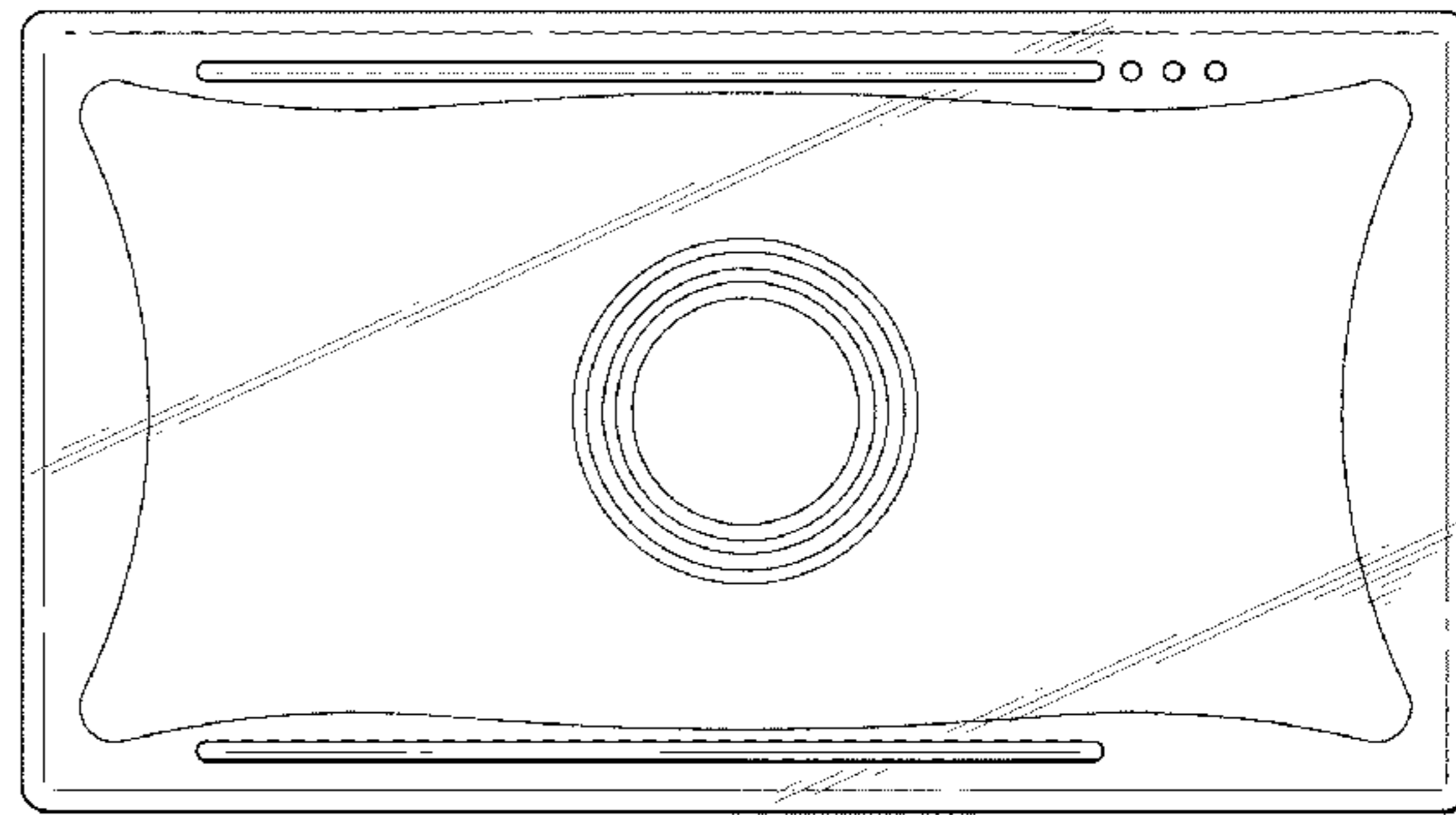
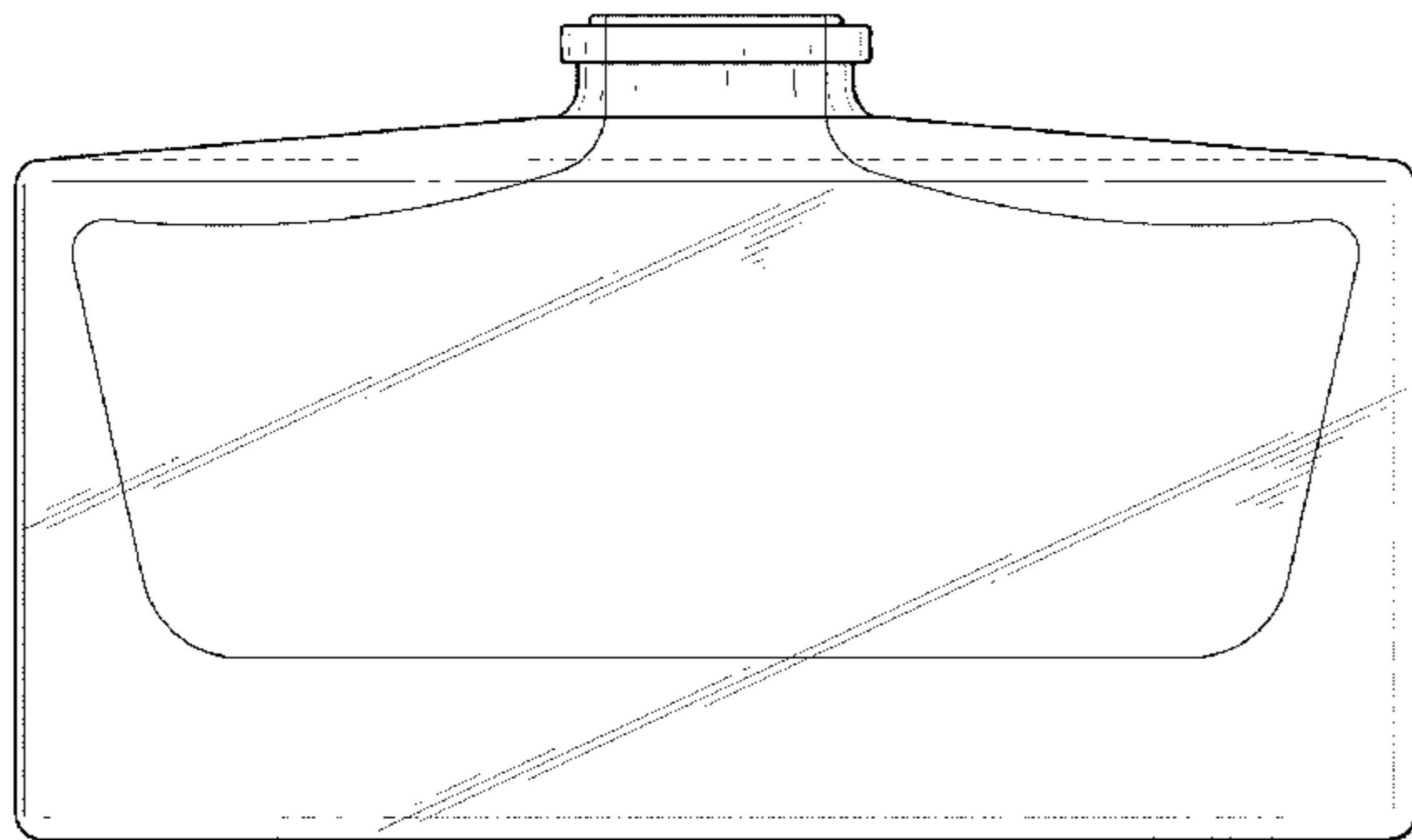
(57) **CLAIM**

The ornamental design for a bottle, as shown and described.

DESCRIPTION

FIG. 1 is a top view of a bottle showing my new design; FIG. 2 is a front view thereof; FIG. 3 is a right side view thereof; and, FIG. 4 is a bottom view thereof. The left side view is the same as the right side view. The rear view is a mirror image of the front view.

1 Claim, 4 Drawing Sheets



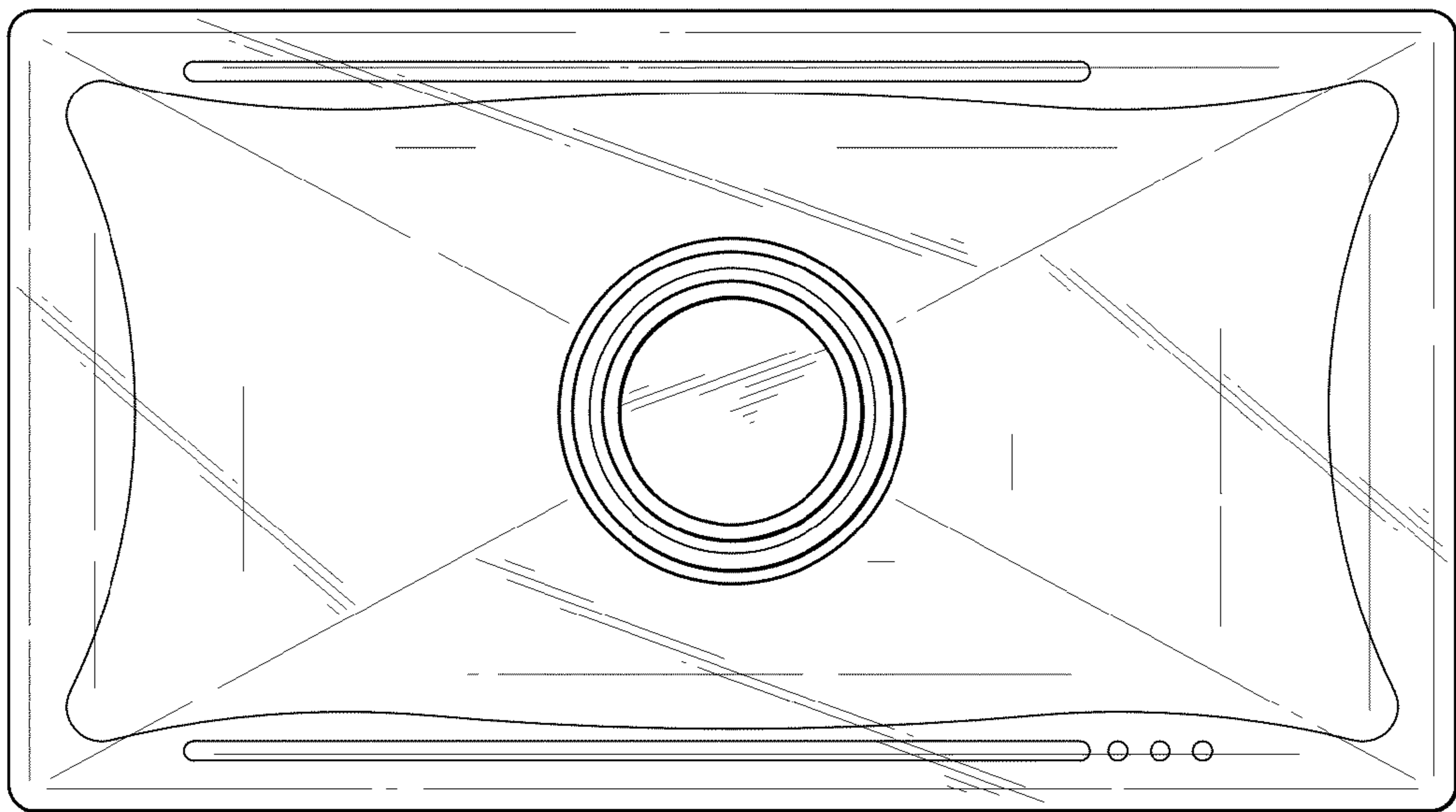


FIG. 1

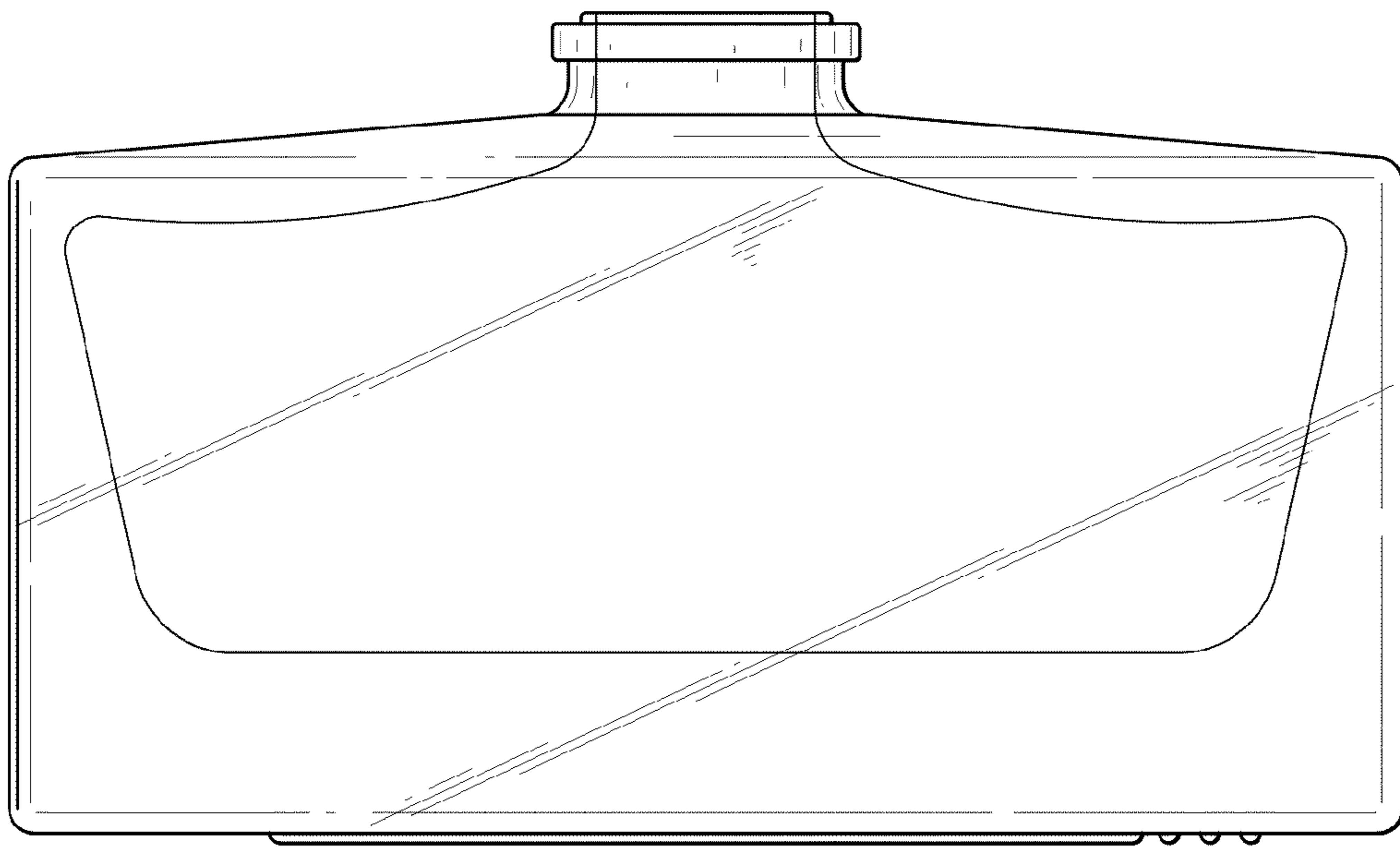


FIG. 2

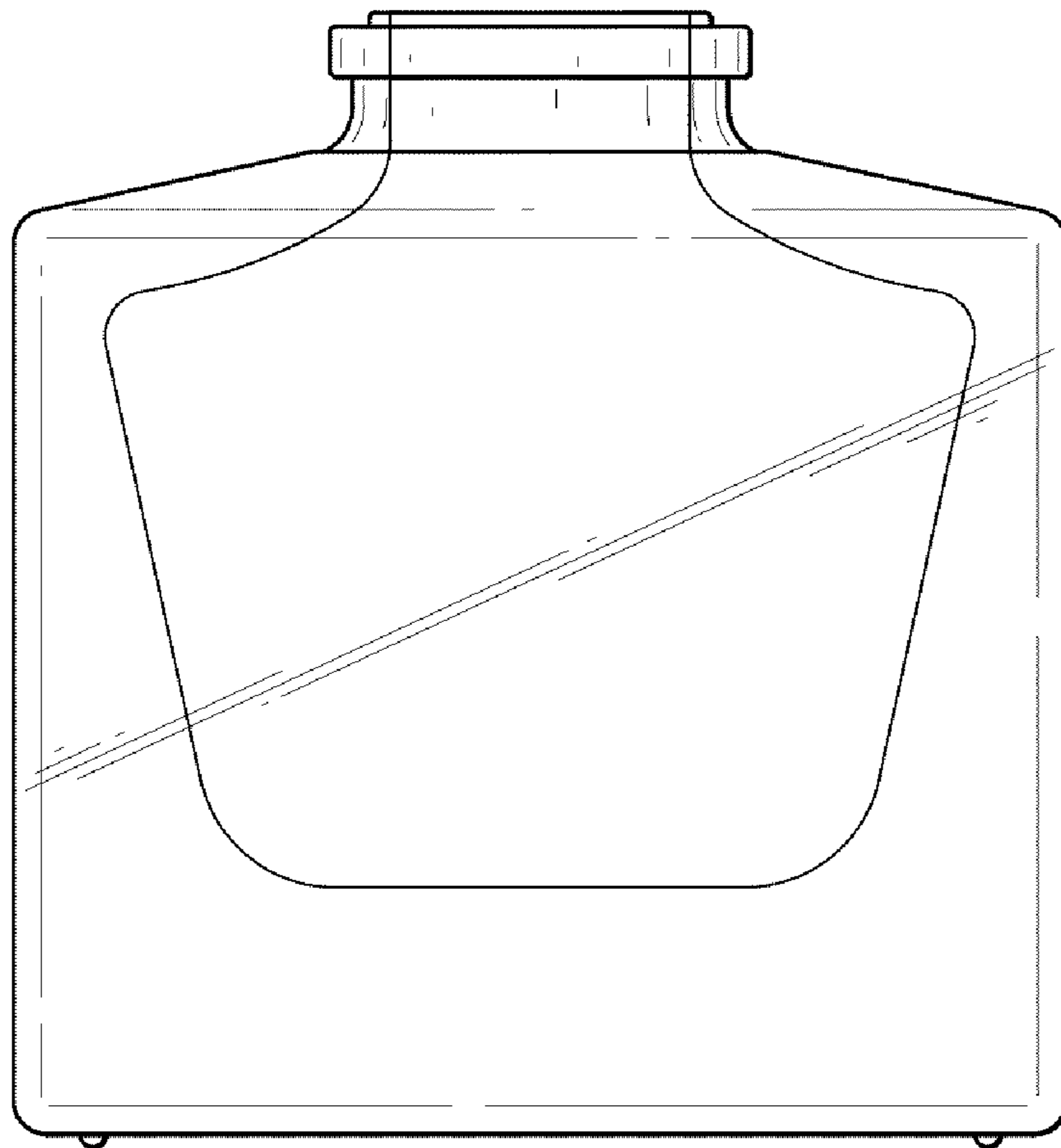


FIG. 3

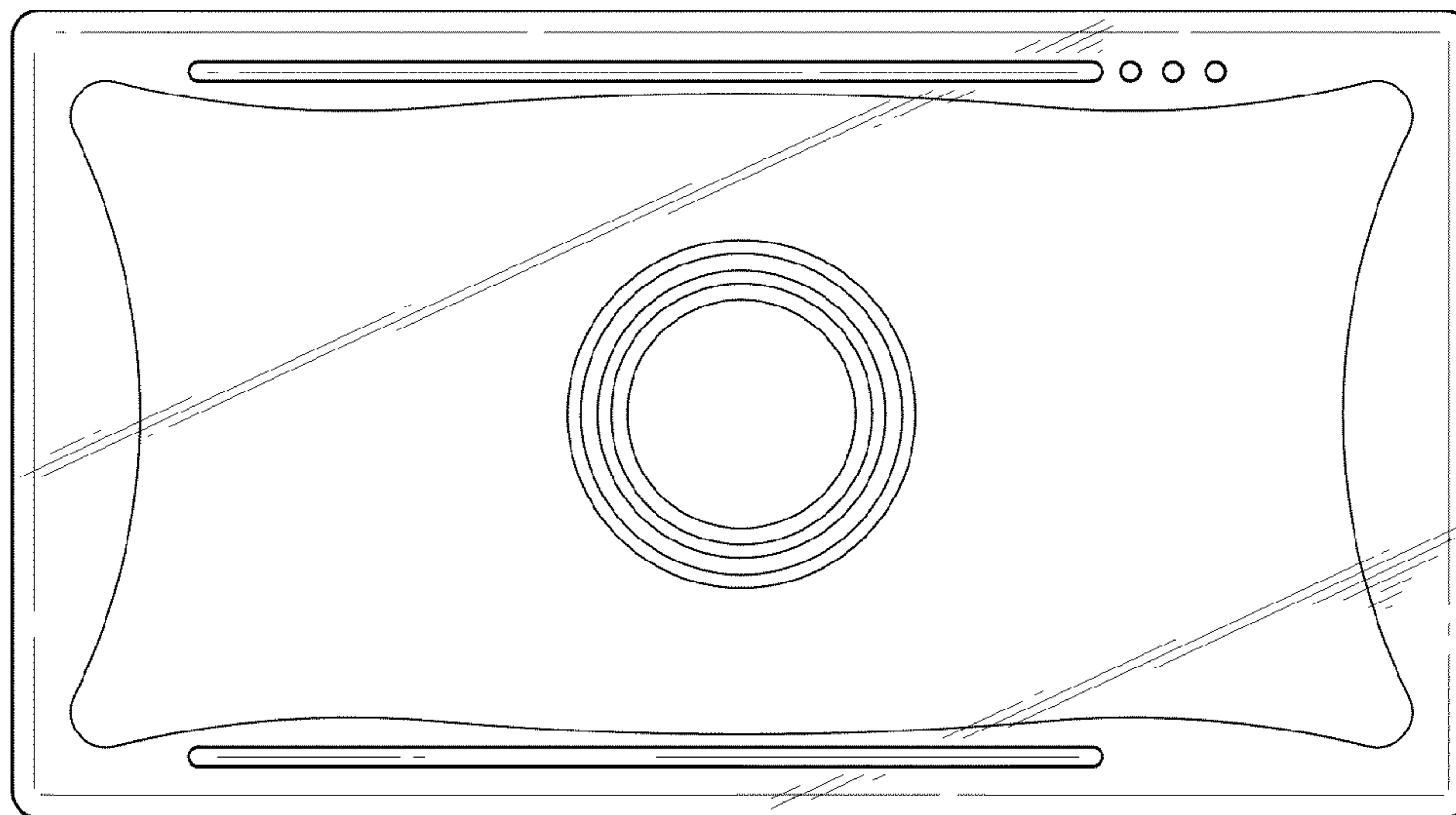


FIG.4