



US00D656829S

(12) **United States Design Patent**
Watabe

(10) **Patent No.:** **US D656,829 S**

(45) **Date of Patent:** **** Apr. 3, 2012**

(54) **JAR**

(75) Inventor: **Kousuke Watabe**, Tokyo (JP)

(73) Assignee: **Shiseido Co., Ltd.**, Tokyo (JP)

(**) Term: **14 Years**

(21) Appl. No.: **29/371,415**

(22) Filed: **Feb. 17, 2011**

(51) **LOC (9) Cl.** **09-01**

(52) **U.S. Cl.** **D9/519**; D9/559; D9/566; D9/567;
D9/444; D9/452; D9/454; D9/529

(58) **Field of Classification Search** D9/682,
D9/687, 692-694, 516, 519, 529, 537-541,
D9/544-546, 553-555, 558, 566-568, 572-575,
D9/444-445, 452, 454; 215/381-385

See application file for complete search history.

(56) **References Cited**

U.S. PATENT DOCUMENTS

D79,935 S *	11/1929	Peszynska	D9/529
D85,363 S *	10/1931	Betts	D9/529
D86,540 S *	3/1932	Piazzoli	D9/546
3,494,515 A *	2/1970	Fattori	222/548
D276,872 S *	12/1984	Williams	D7/540
D306,694 S *	3/1990	Beier-Rosetti	D9/529
D316,669 S *	5/1991	Young	D9/651
D399,611 S *	10/1998	Ericson et al.	D9/559 X
D404,292 S *	1/1999	Weber	D8/378
D427,055 S *	6/2000	Nicolas	D9/689

D434,325 S *	11/2000	Jivago	D9/651
D477,227 S *	7/2003	Goswell	D9/566 X
D533,454 S *	12/2006	Canamasas Puigbo	D9/454
D534,806 S *	1/2007	Antretter	D9/546
D552,473 S *	10/2007	Simkin	D9/519
D553,505 S *	10/2007	Oner	D9/559
D565,410 S *	4/2008	Canamasas Puigbo	D9/454
D573,026 S *	7/2008	Tsai	D9/519
D578,002 S *	10/2008	Canamasas Puigbo	D9/554 X
D584,950 S *	1/2009	Courtaigne Delalande	...	D9/529
D610,916 S *	3/2010	Yeung et al.	D9/694

* cited by examiner

Primary Examiner — Carol P Rademaker

(74) *Attorney, Agent, or Firm* — Manabu Kanesaka

(57) **CLAIM**

The ornamental design for a jar, as shown and described.

DESCRIPTION

FIG. 1 is a top, front perspective view of a jar showing my new design;

FIG. 2 is a front elevational view thereof, the rear elevational view being identical;

FIG. 3 is a right side elevational view thereof, the left side elevational view being identical;

FIG. 4 is a bottom plan view thereof; and,

FIG. 5 is a top plan view thereof.

The oblique shade lines shown in the drawings represent transparent surfaces.

1 Claim, 5 Drawing Sheets

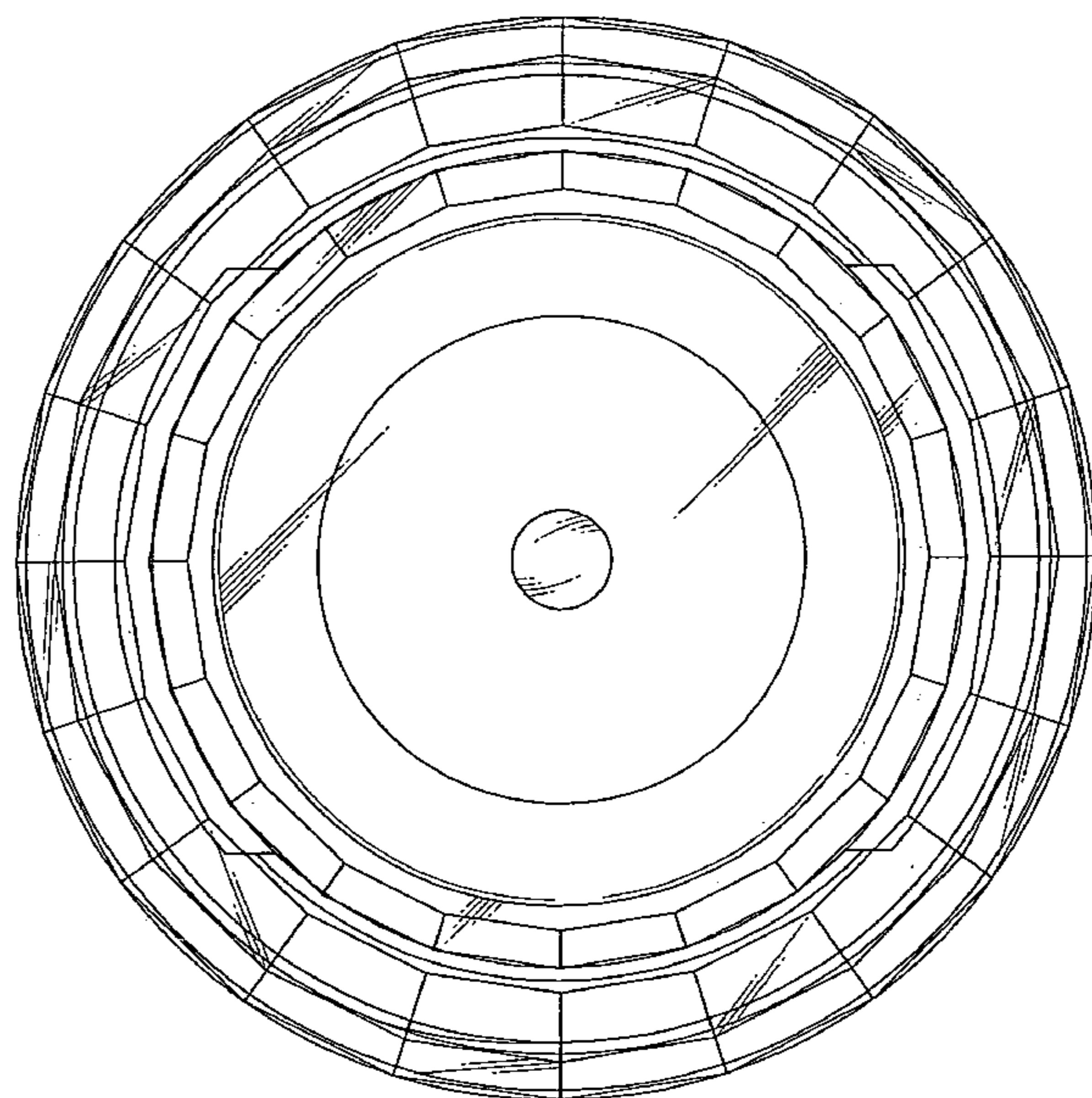
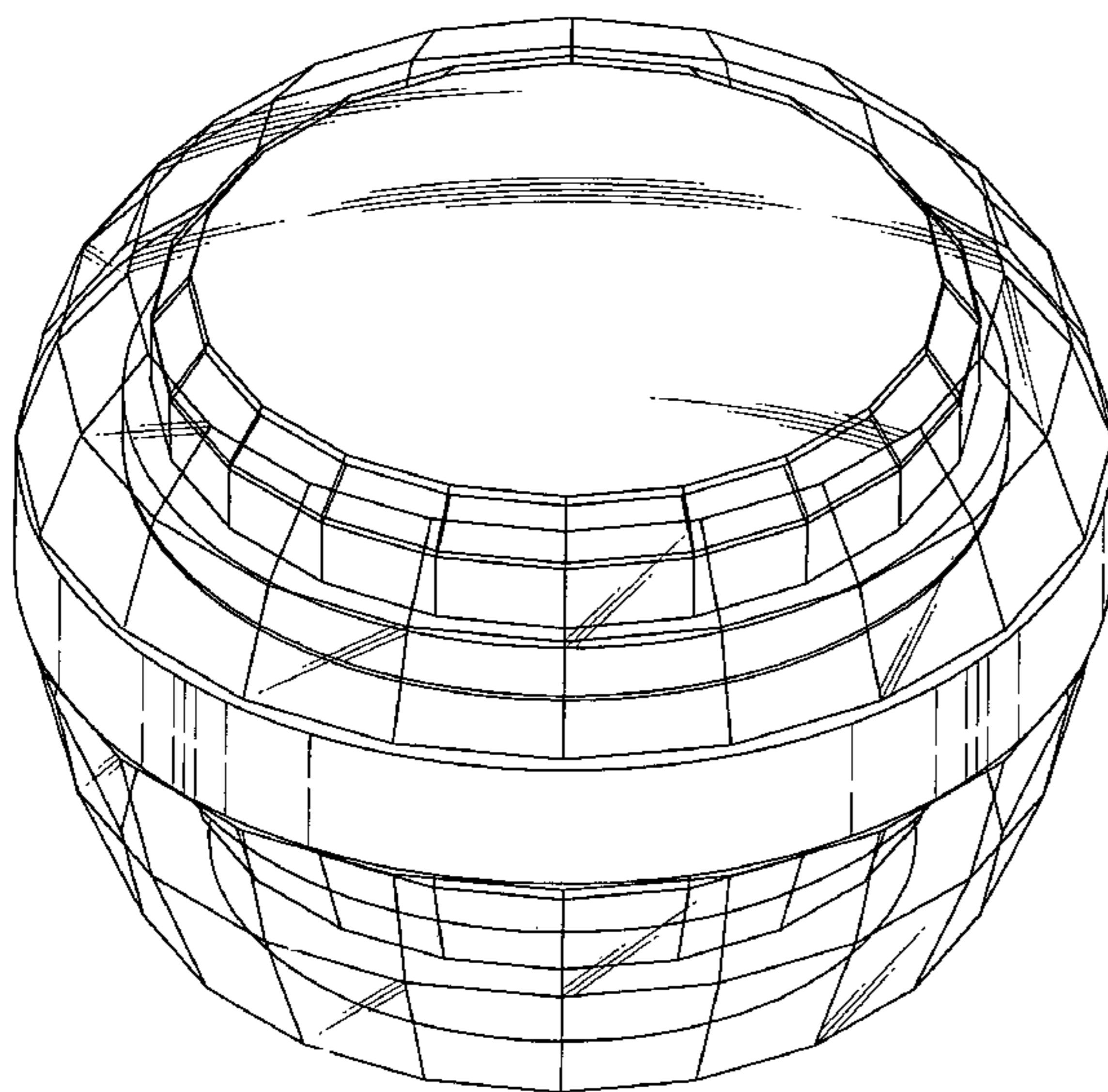


Fig. 1

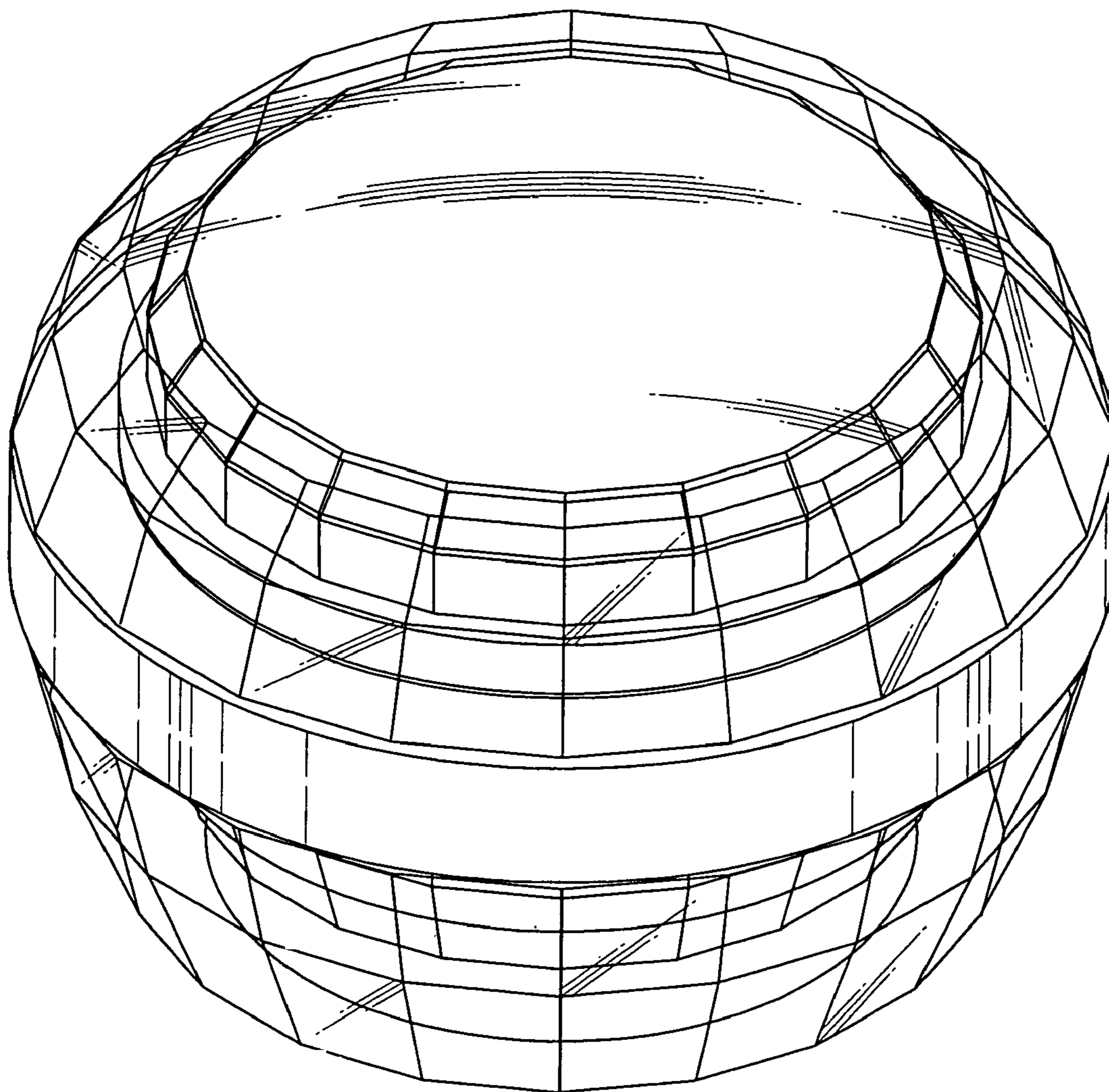


Fig. 2

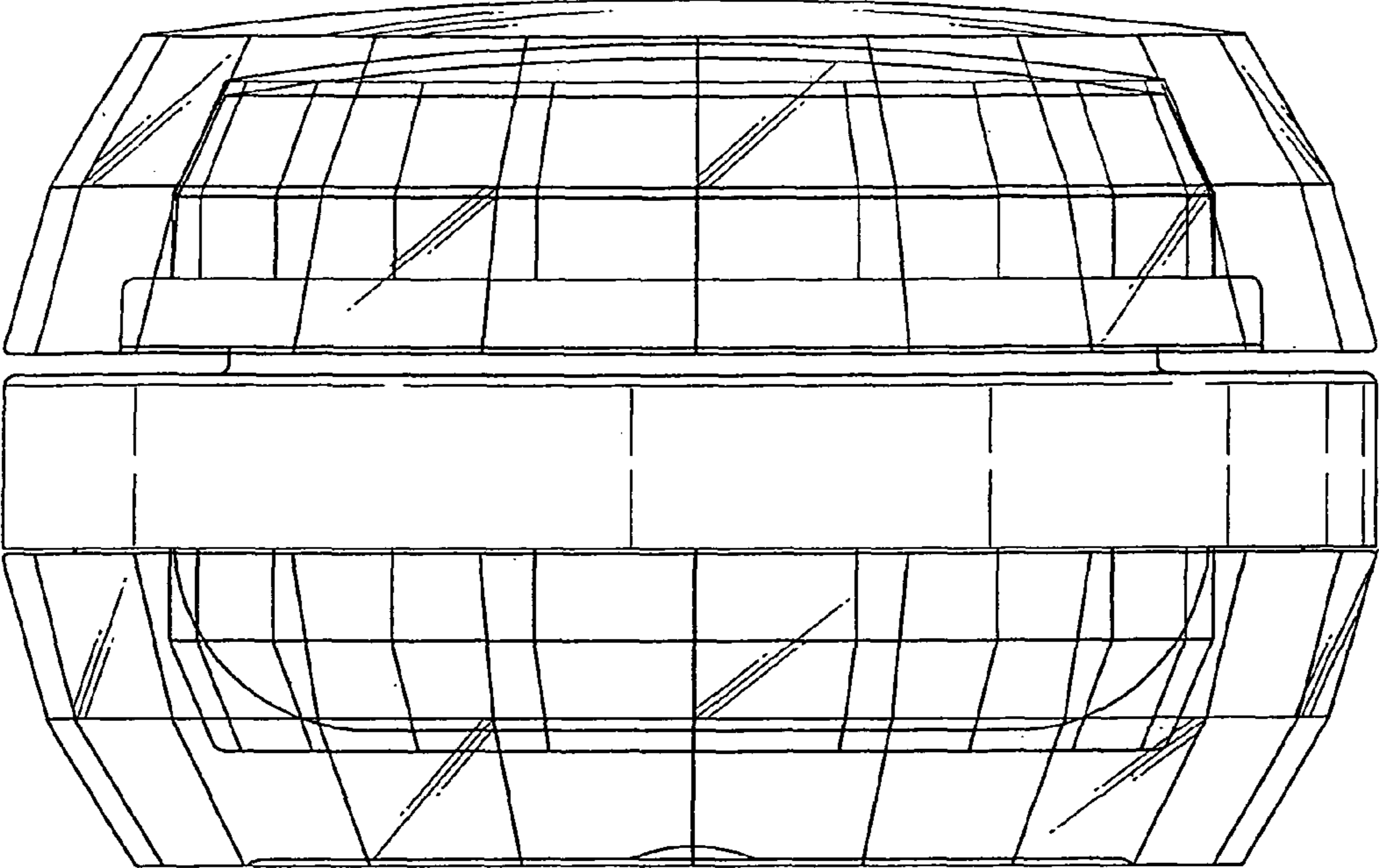


Fig. 3

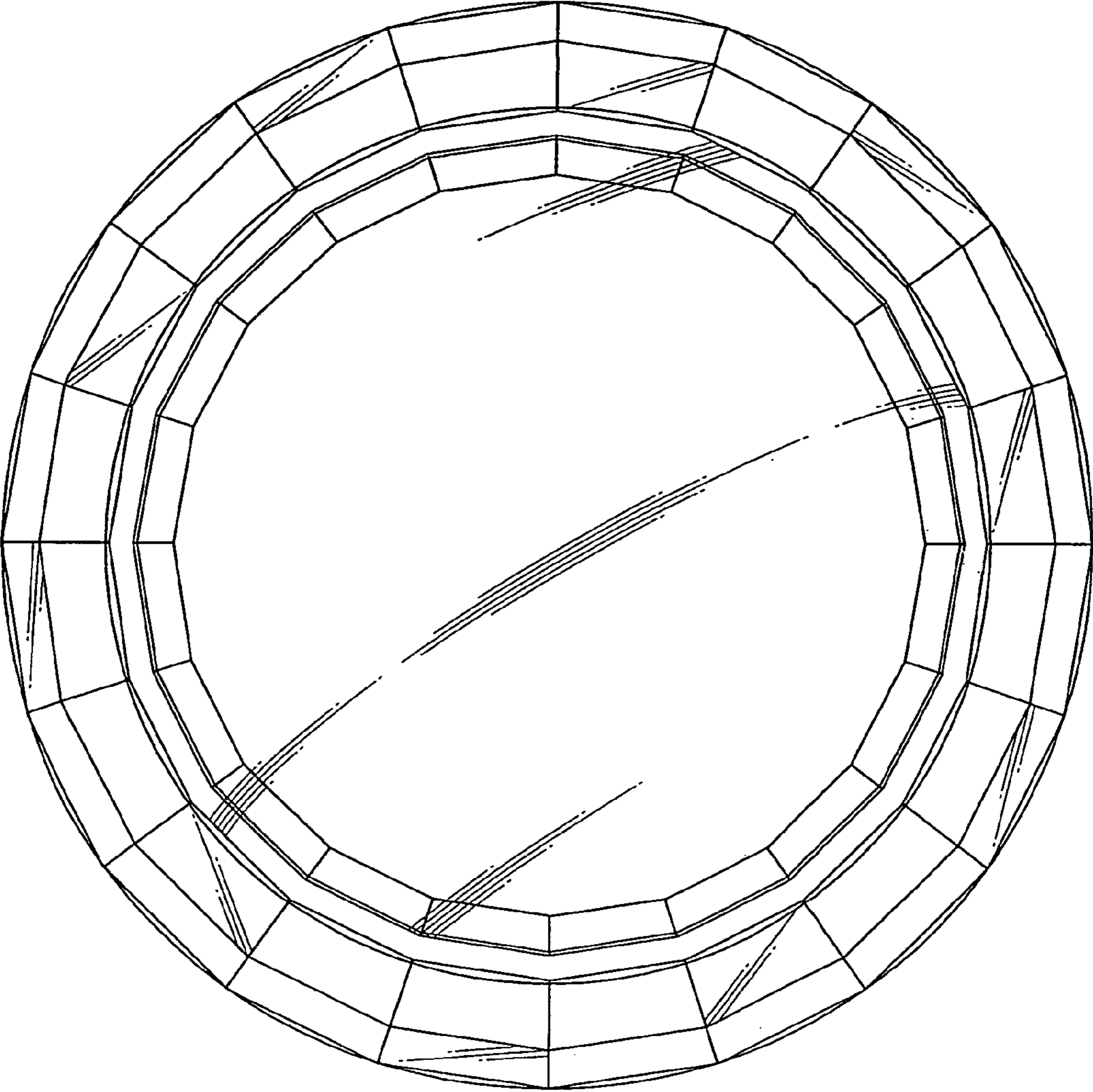


Fig. 4

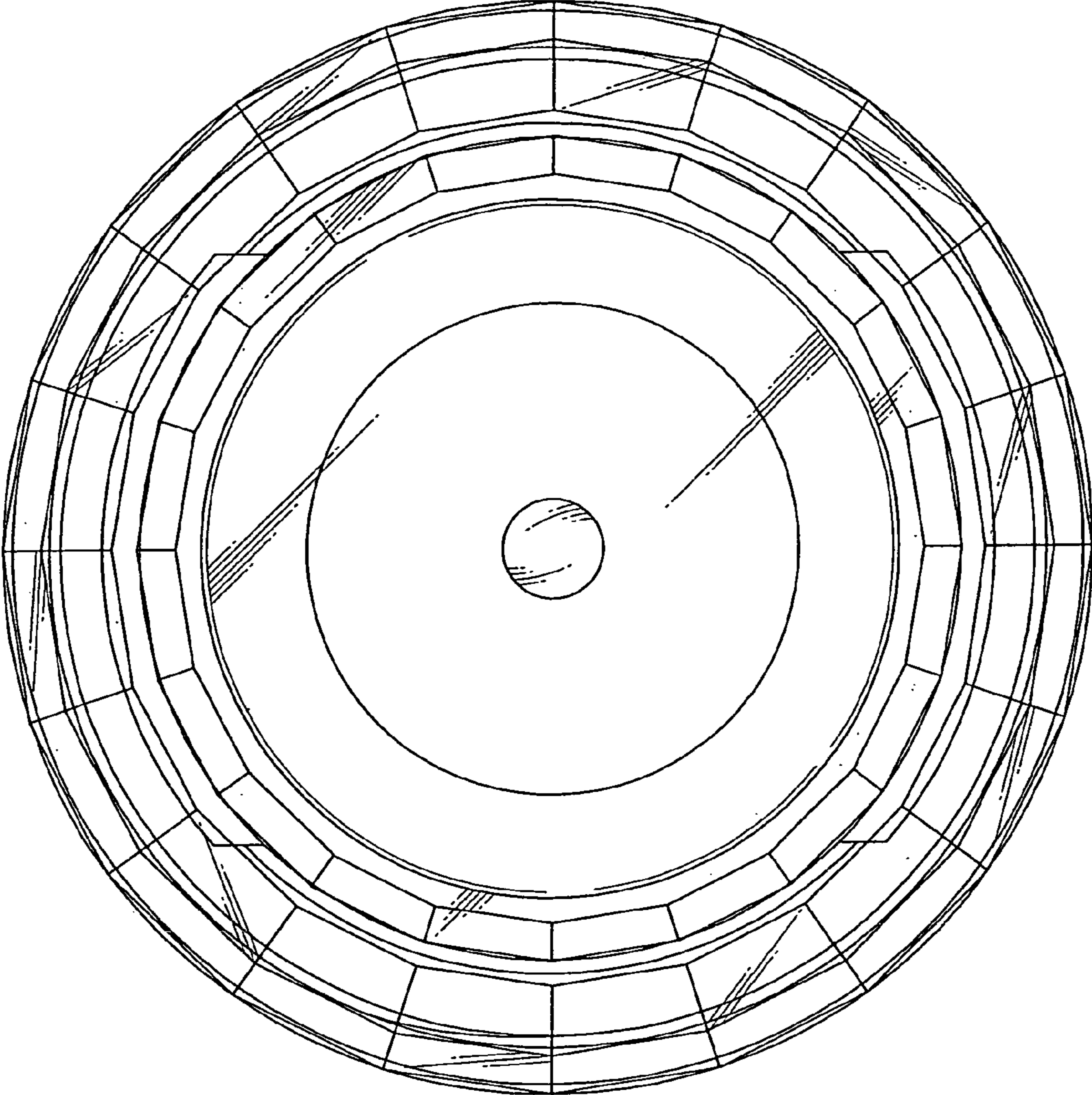


Fig. 5

