



US00D656827S

(12) **United States Design Patent**  
**Mandell et al.**

(10) **Patent No.:** **US D656,827 S**  
(45) **Date of Patent:** **\*\* Apr. 3, 2012**

(54) **CONTAINER**

(75) Inventors: **Jonathan N. Mandell**, Gurnee, IL (US);  
**George Kyaw Soe Maung Aye**,  
Chicago, IL (US); **Dan Kraemer**,  
Chicago, IL (US)

(73) Assignee: **S.C. Johnson & Son, Inc.**, Racine, WI  
(US)

(\*\*) Term: **14 Years**

(21) Appl. No.: **29/369,524**

(22) Filed: **Sep. 9, 2010**

(51) **LOC (9) Cl.** ..... **09-01**

(52) **U.S. Cl.** ..... **D9/516; D9/522; D9/575**

(58) **Field of Classification Search** ..... D9/516,  
D9/522, 544, 546, 559-560, 572-575, 900,  
D9/434-435, 444, 454, 529, 562; D4/114,  
D4/116; D23/366; 215/379-383; 220/660-662,  
220/669-673, 675

See application file for complete search history.

(56) **References Cited**

**U.S. PATENT DOCUMENTS**

D281,671 S	*	12/1985	Buchet	.....	D9/522
D283,010 S	*	3/1986	Biesecker	.....	D9/522
D283,795 S	*	5/1986	Demourgues	.....	D9/573
D289,498 S	*	4/1987	Simonetti et al.	.....	D9/522
D298,514 S		11/1988	Dole et al.		
D308,023 S	*	5/1990	Dinand	.....	D9/529
D396,009 S		7/1998	Reubens		
D398,536 S		9/1998	Chan et al.		
D431,005 S		9/2000	Jentjen		
D444,068 S		6/2001	Farris		
D497,555 S		10/2004	Lecoule		
D518,730 S		4/2006	Caserta et al.		
D536,259 S		2/2007	Herrmann		

D555,004 S		11/2007	Nukuto et al.		
D555,480 S		11/2007	Nicosia et al.		
D565,963 S	*	4/2008	Slimane	.....	D9/687
D595,141 S	*	6/2009	Rica	.....	D9/544
D603,716 S	*	11/2009	Rica	.....	D9/560
D604,174 S	*	11/2009	Rica	.....	D9/560
D604,619 S	*	11/2009	Tebe Poves et al.	.....	D9/522
D607,729 S		1/2010	Berger et al.		
D609,574 S		2/2010	Holmes et al.		
D628,494 S	*	12/2010	Aebi	.....	D9/687

**OTHER PUBLICATIONS**

Attached photographs depict a device found in a Spanish grocery store (Mercadona) in 2010, 3 pages.

\* cited by examiner

*Primary Examiner* — Ian Simmons

*Assistant Examiner* — Dana L Sipos

(57) **CLAIM**

The ornamental design for a container, as shown and described herein.

**DESCRIPTION**

FIG. 1 is a top isometric view of a container of the present invention;

FIG. 2 is a front elevational view of the container of FIG. 1;

FIG. 3 is a rear elevational view of the container of FIG. 1;

FIG. 4 is an elevational view of a first side of the container of FIG. 1;

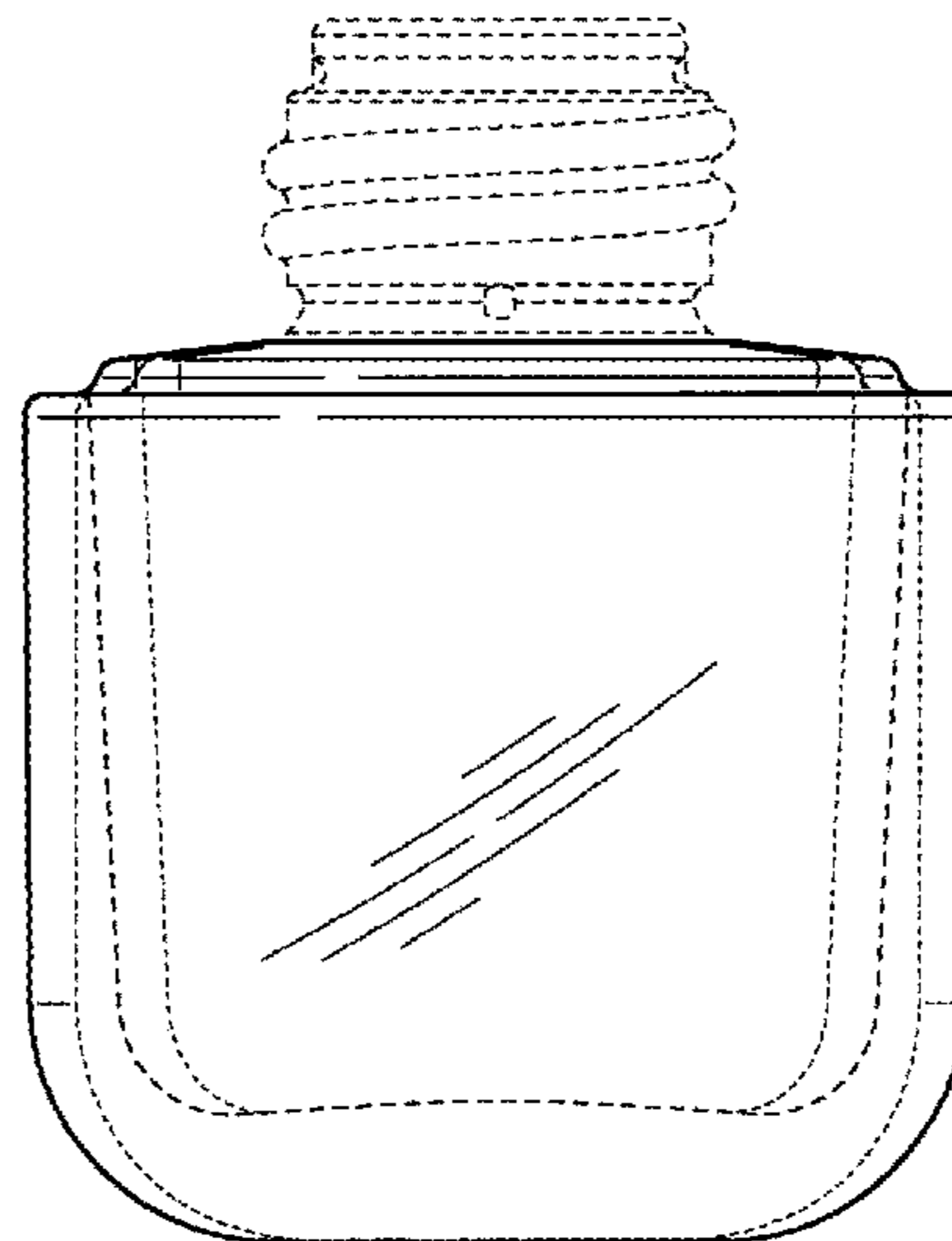
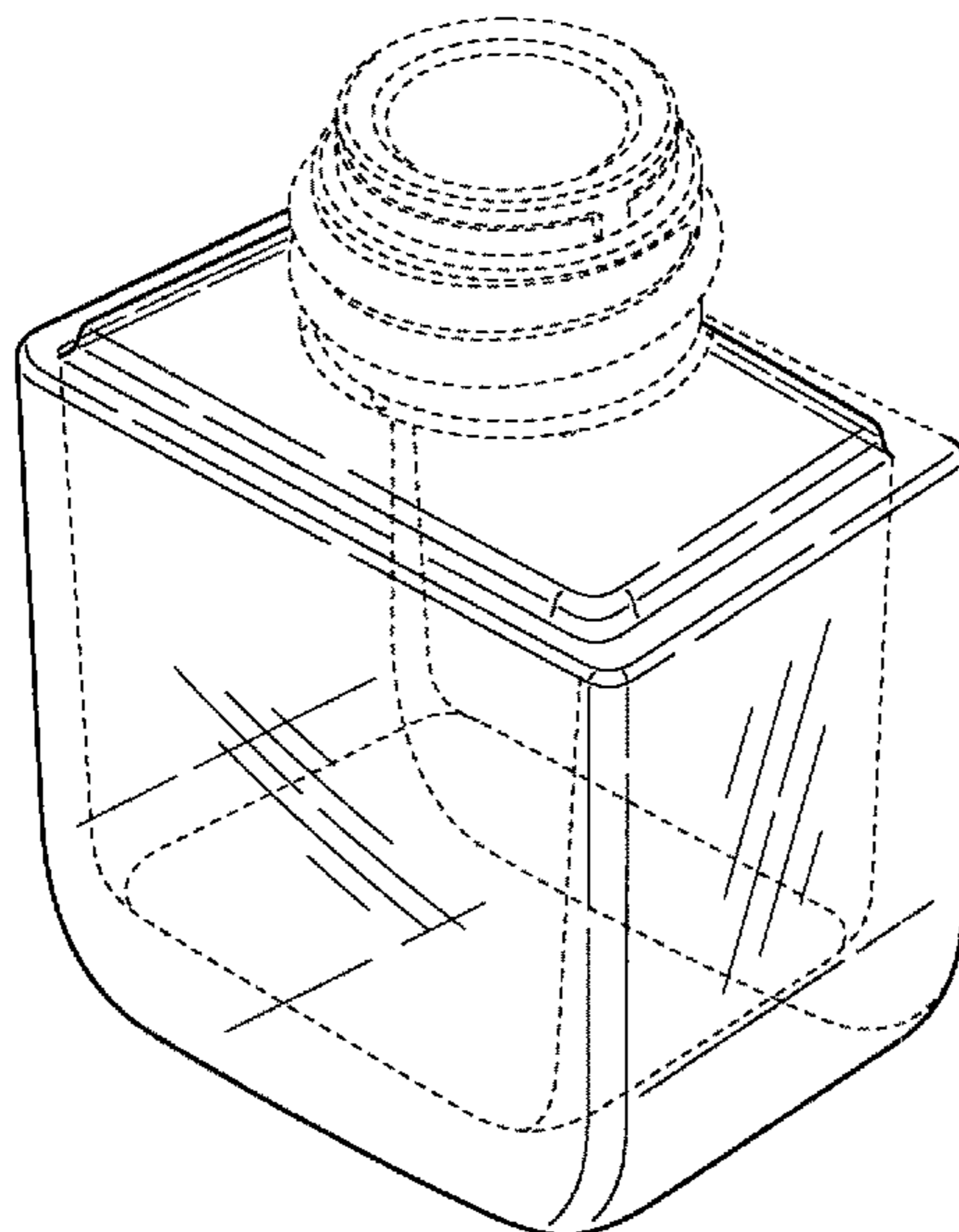
FIG. 5 is an elevational view of a second side of the container of FIG. 1, wherein the second side is opposite the first side;

FIG. 6 is a top elevational view of the container of FIG. 1; and,

FIG. 7 is a bottom elevational view of the container of FIG. 1.

The subject matter shown in the figures above in dashed lines forms no part of the claimed invention. Further, the bottom views herein form no part of the claimed invention.

**1 Claim, 4 Drawing Sheets**



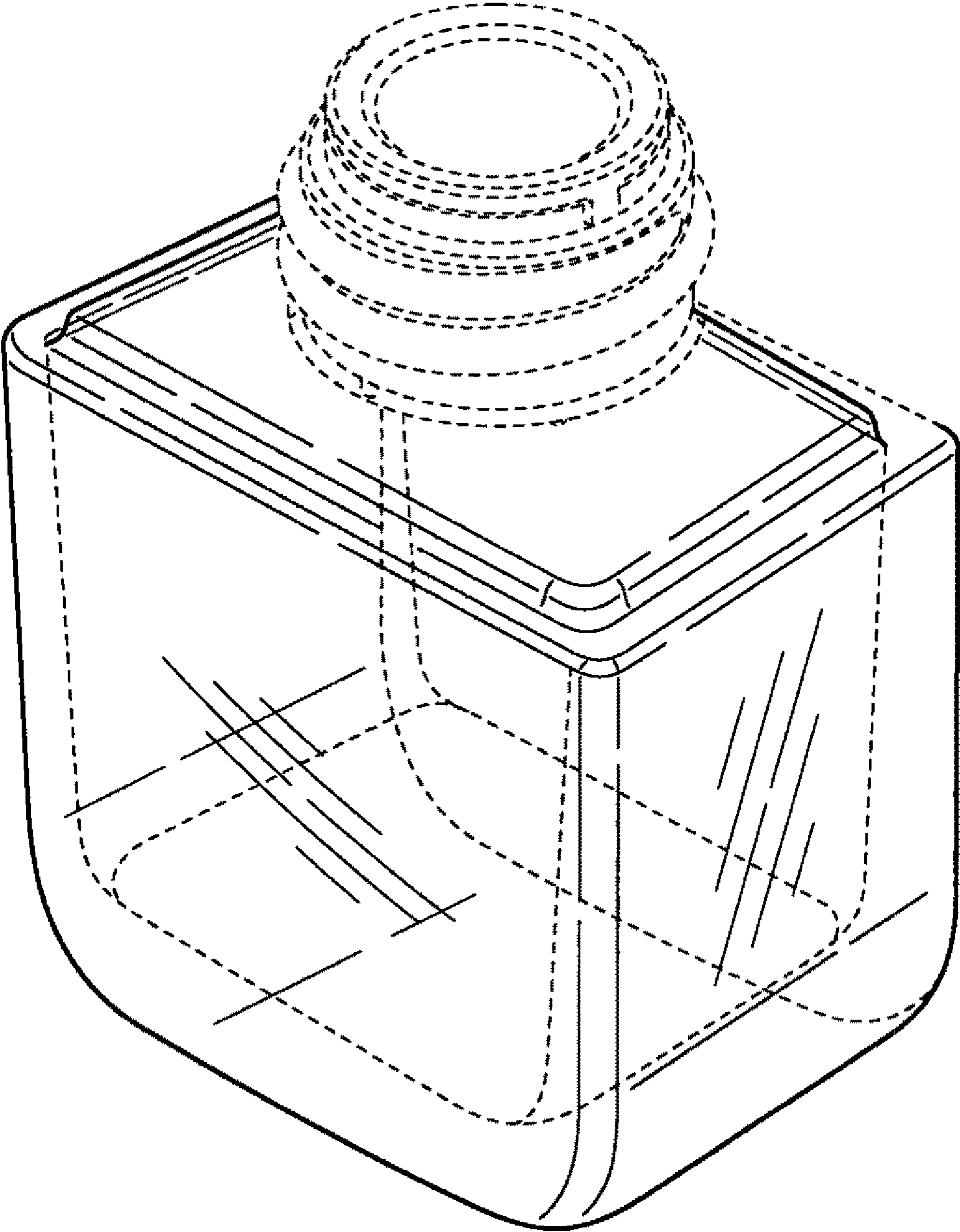


FIG. 1

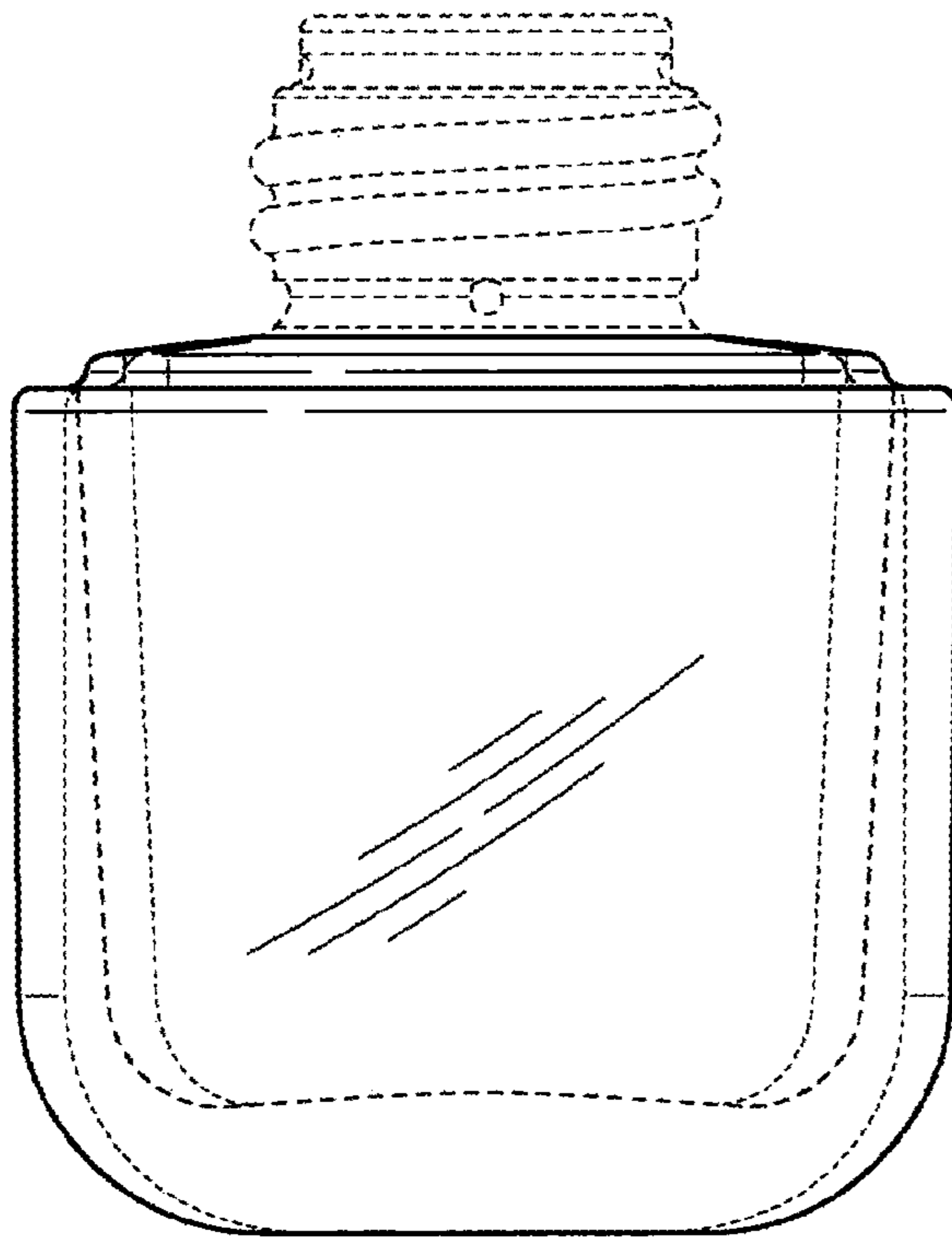


FIG. 2

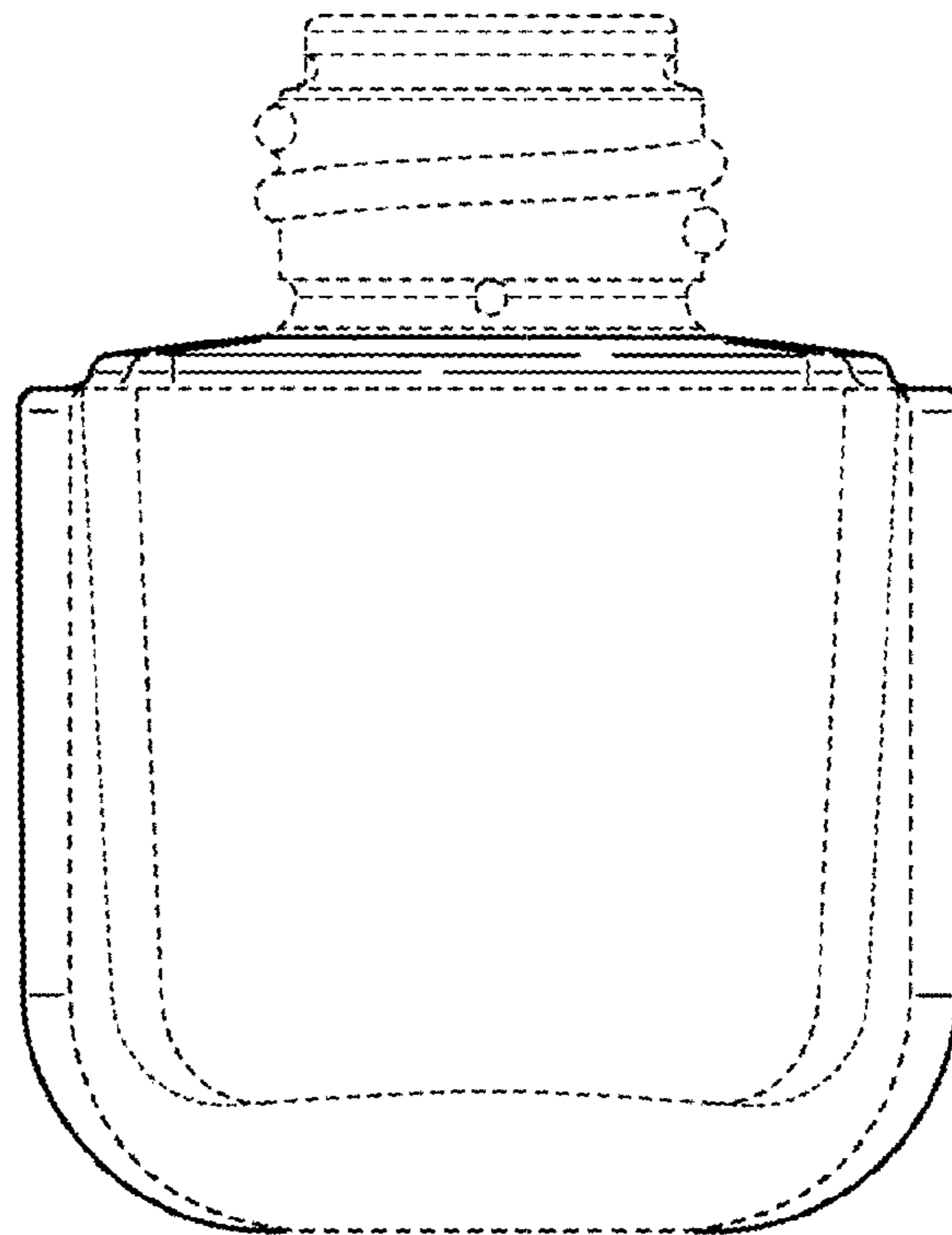


FIG. 3

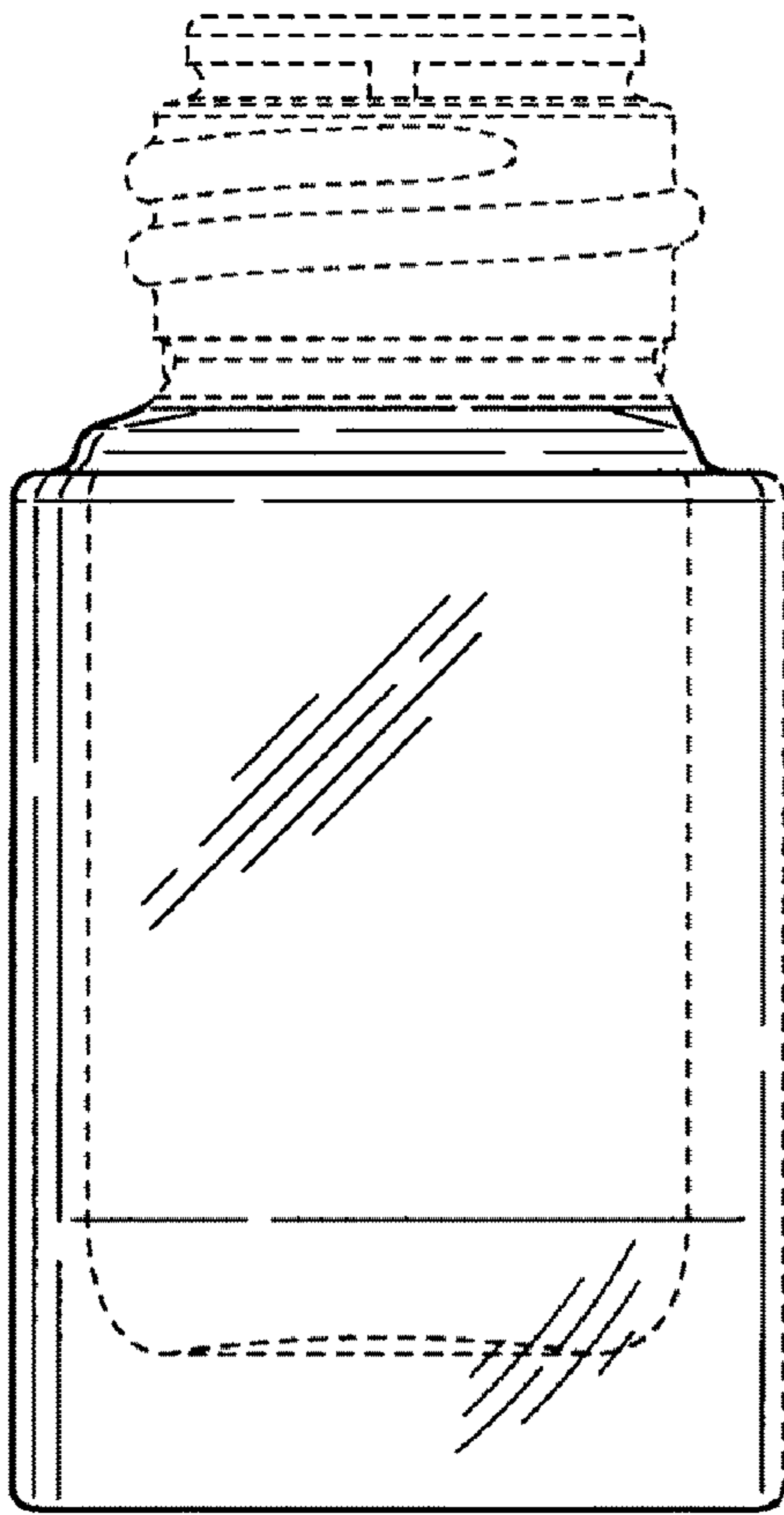


FIG. 4

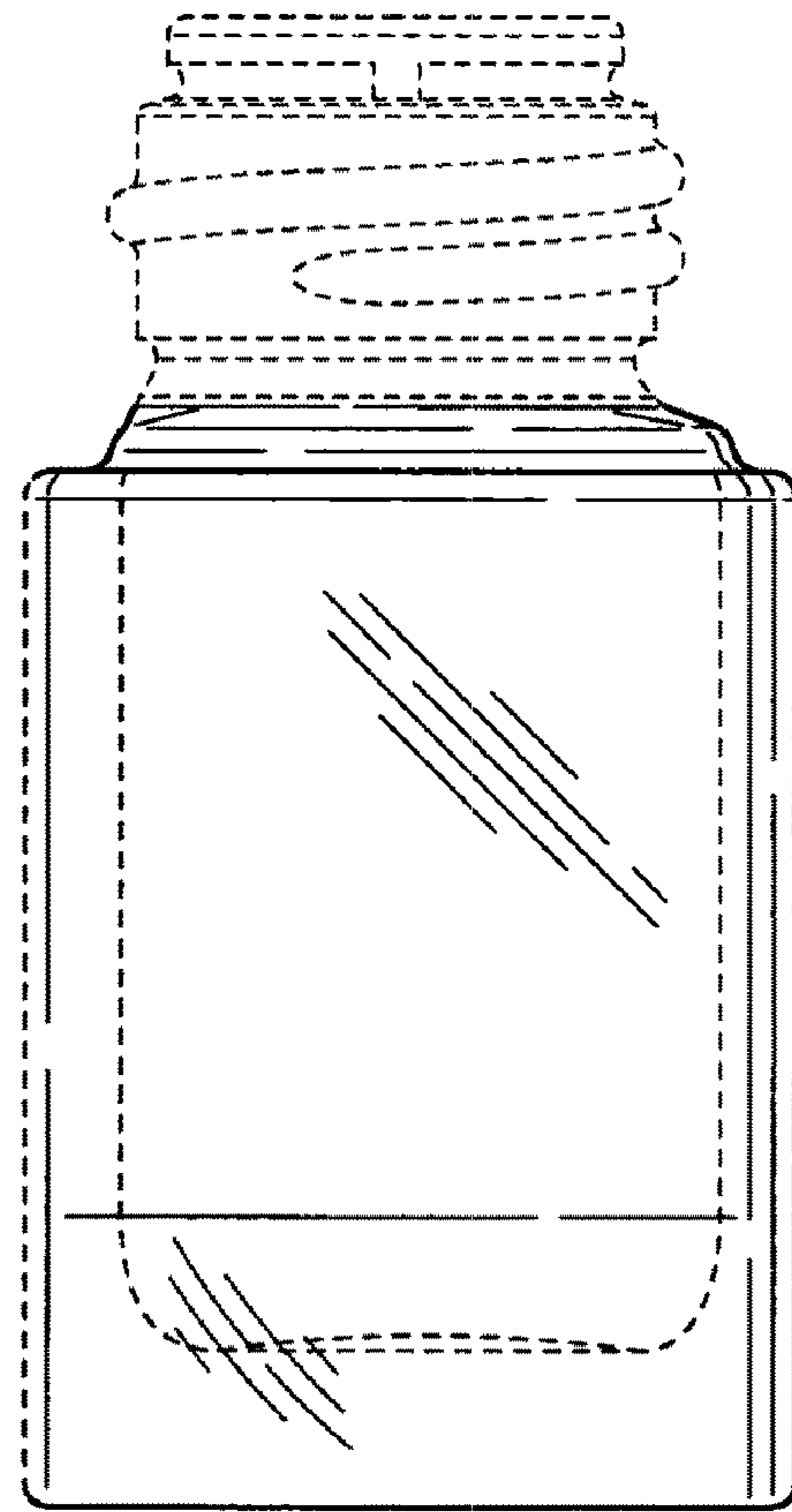


FIG. 5

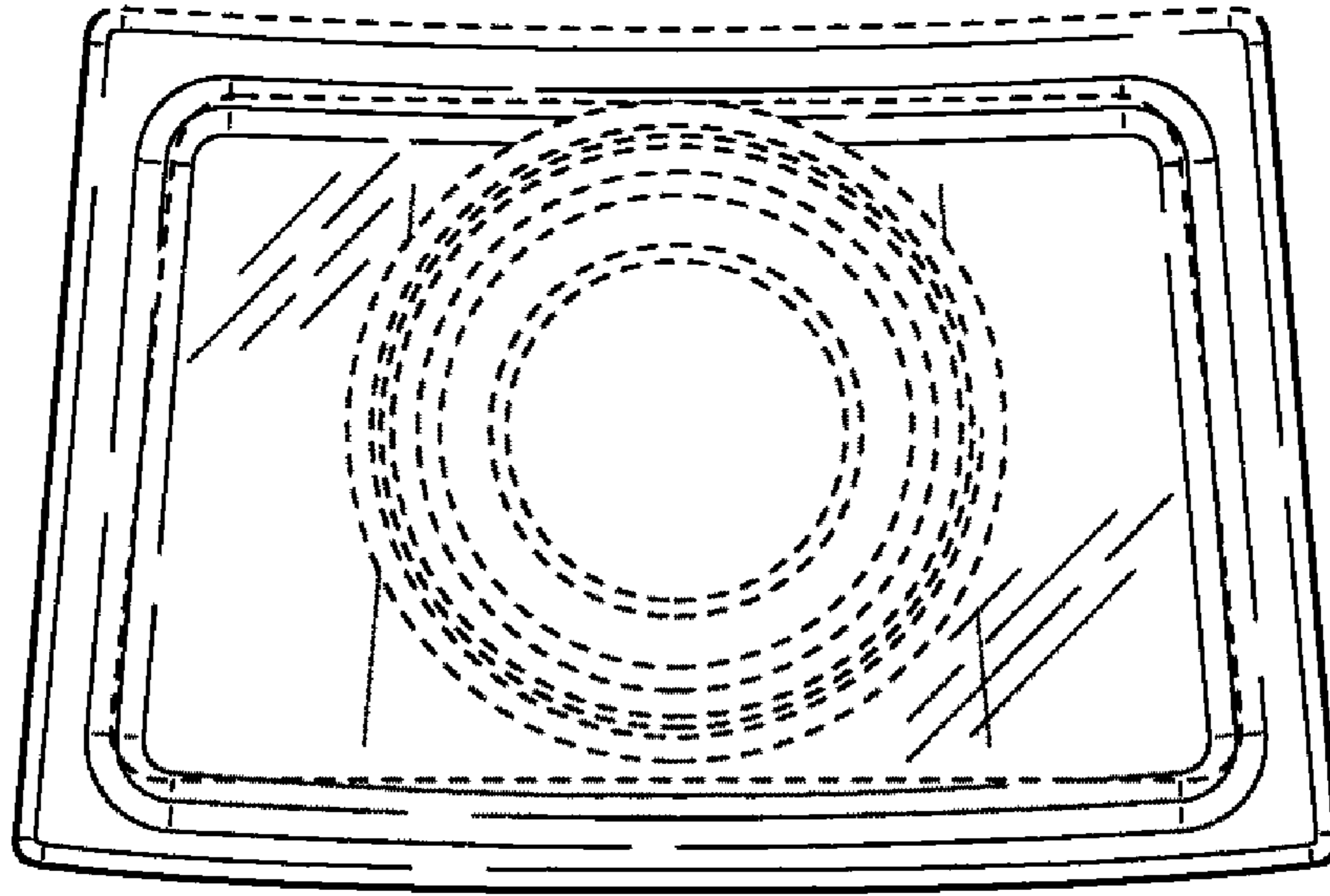


FIG. 6

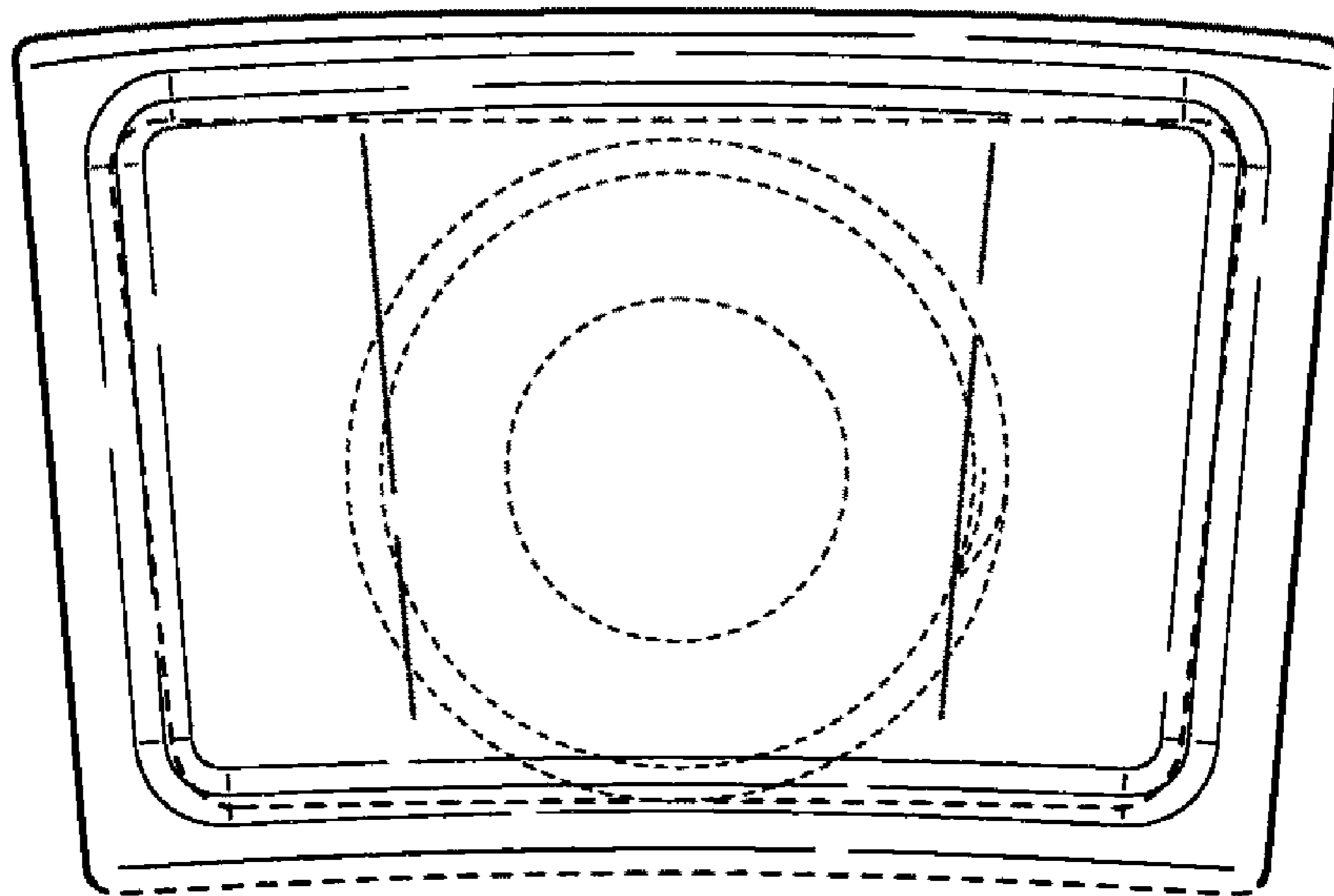


FIG. 7