



US00D656821S

(12) **United States Design Patent**
Marcoux et al.

(10) **Patent No.:** **US D656,821 S**

(45) **Date of Patent:** **** Apr. 3, 2012**

(54) **NEON TUBE PACKAGING**

(75) Inventors: **Philippe Marcoux**, Saint-Nicéphore (CA); **Mathieu Roberge**, Danville (CA)

(73) Assignee: **Cascades Canada ULC**, Montreal, Quebec (CA)

(**) Term: **14 Years**

(21) Appl. No.: **29/388,766**

(22) Filed: **Apr. 1, 2011**

(51) **LOC (9) Cl.** **09-07**

(52) **U.S. Cl.** **D9/456**

(58) **Field of Classification Search** D9/760,
D9/761, 759, 756, 755, 753, 751, 750, 739,
D9/738, 737, 702, 456, 455, 443, 434, 415;
D20/19; D19/34.1; 248/146; 229/120; 220/4.23;
211/42; 206/814, 564, 558, 557, 529, 485,
206/446, 429, 427, 421, 419, 418, 259
See application file for complete search history.

(56) **References Cited**

U.S. PATENT DOCUMENTS

D301,013 S * 5/1989 Creaden D9/456
5,016,751 A * 5/1991 Creaden 206/419

D328,034 S * 7/1992 Creaden D9/456
D332,571 S * 1/1993 Creaden D9/456
D470,053 S * 2/2003 Gratz D9/456
D480,306 S * 10/2003 Gratz D9/456
D518,720 S * 4/2006 Gratz D9/456

* cited by examiner

Primary Examiner — Susan Bennett Hattan

(74) *Attorney, Agent, or Firm* — Sutherland Asbill & Brennan LLP

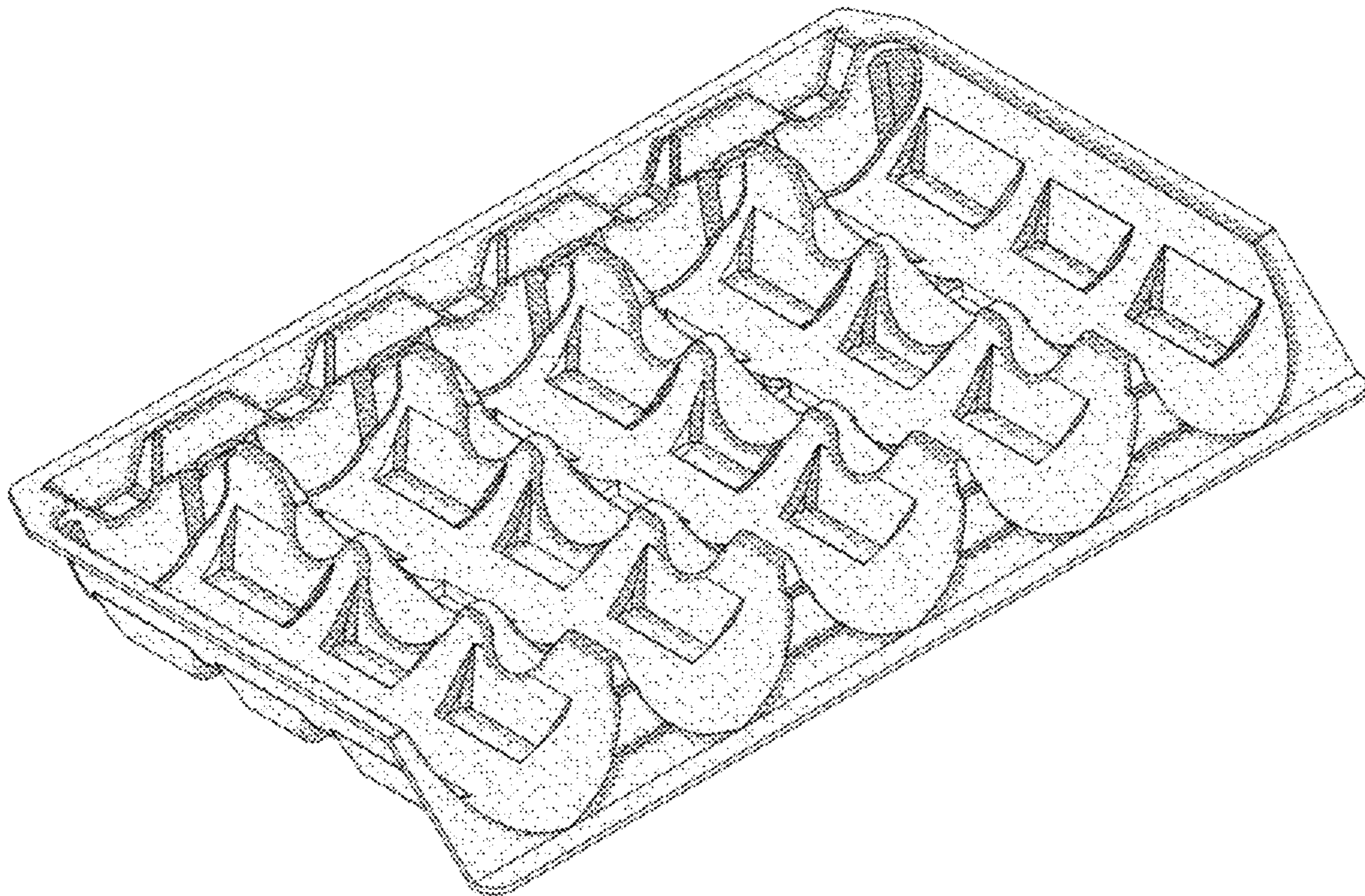
(57) **CLAIM**

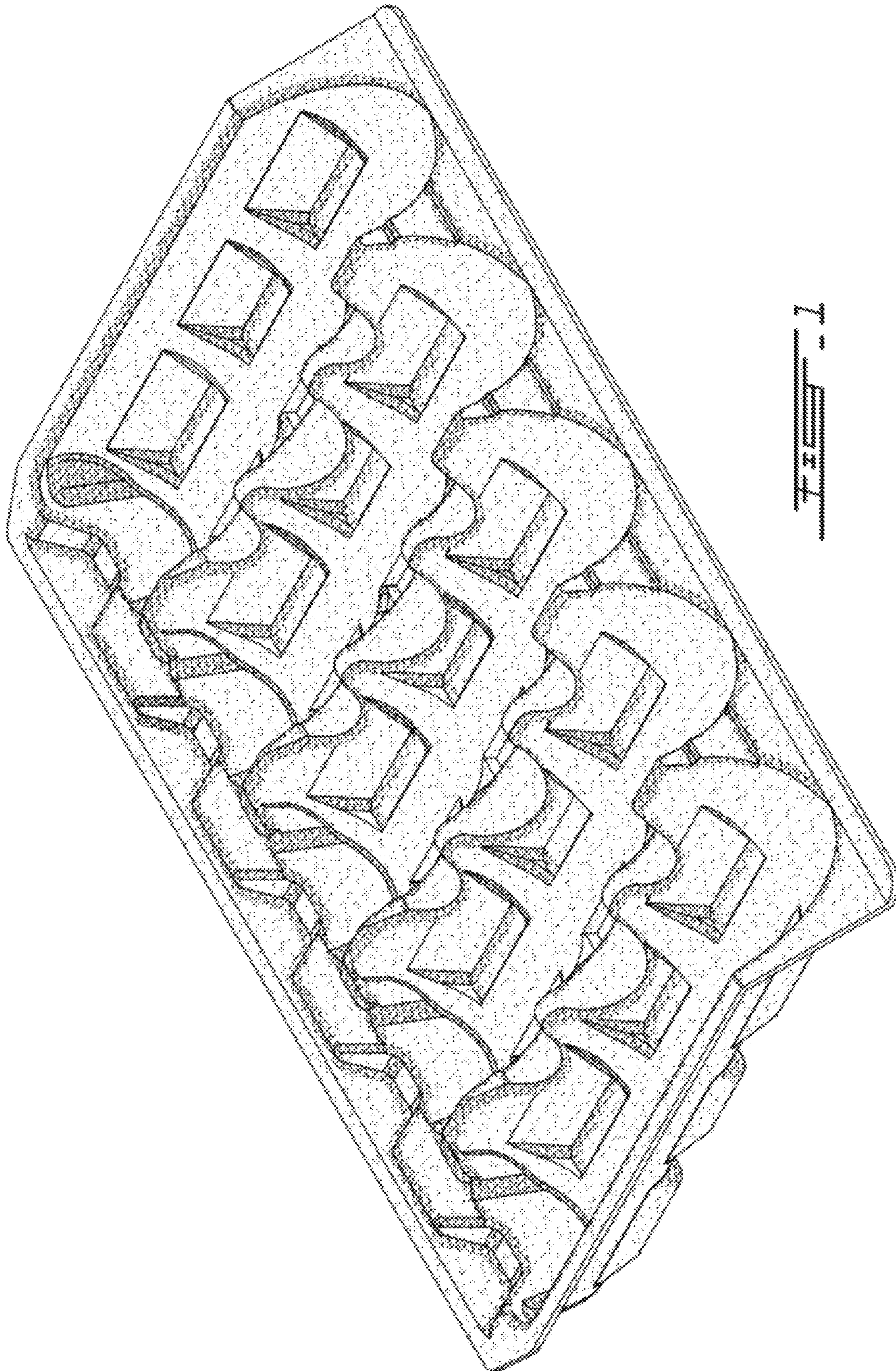
The ornamental design for a neon tube packaging, as shown and described.

DESCRIPTION

FIG. 1 is a perspective view of a neon tube packaging in a closed state, showing our new design;
FIG. 2 is a right side view of thereof, the left side view being a mirror image thereof;
FIG. 3 is a front view thereof;
FIG. 4 is a rear view thereof;
FIG. 5 is a top view thereof; and,
FIG. 6 is a bottom view thereof.

1 Claim, 5 Drawing Sheets





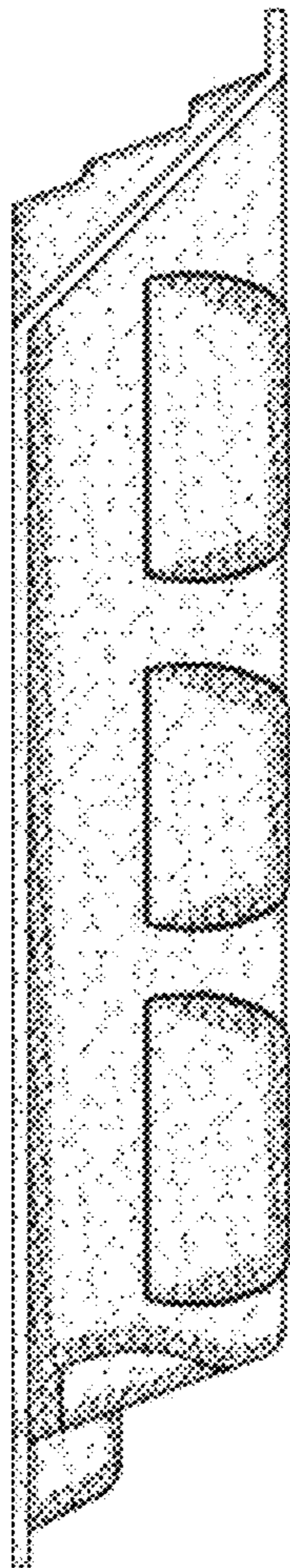


FIG. 2

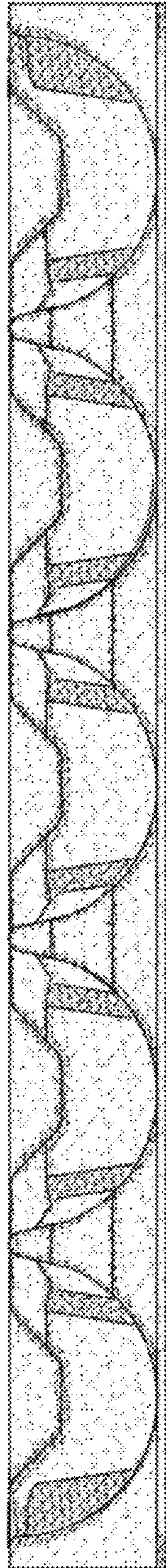


FIG. 3

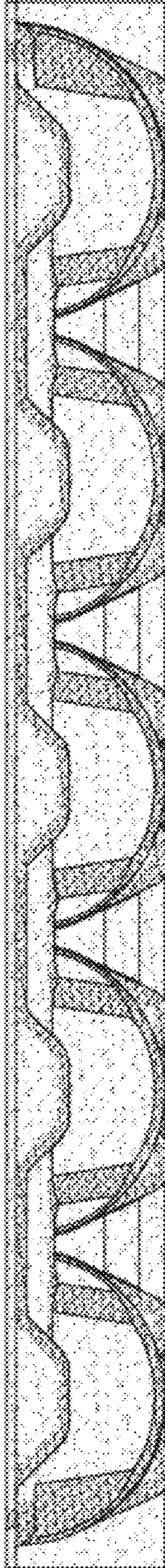
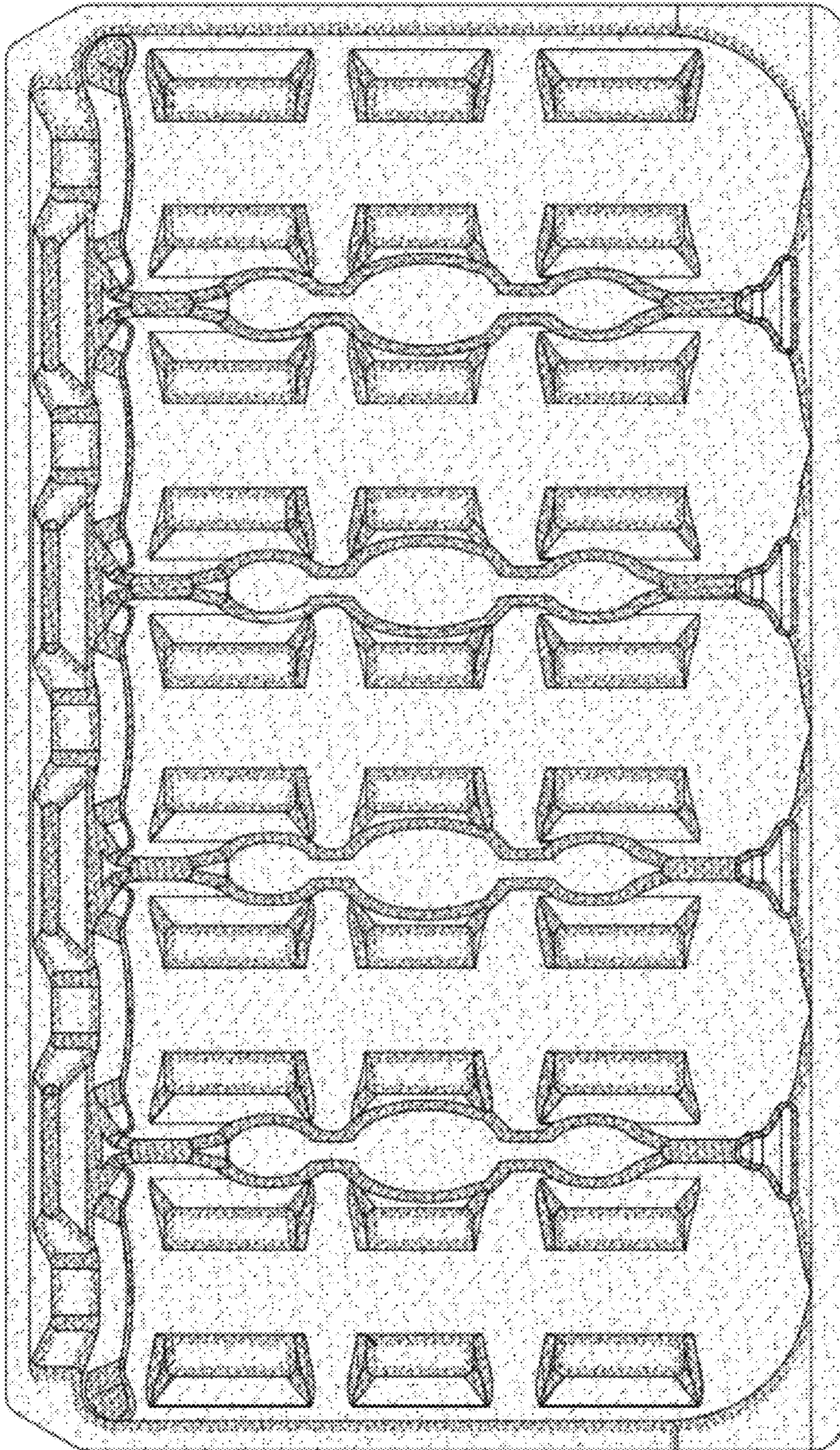


FIG. 4



5 - FRONT

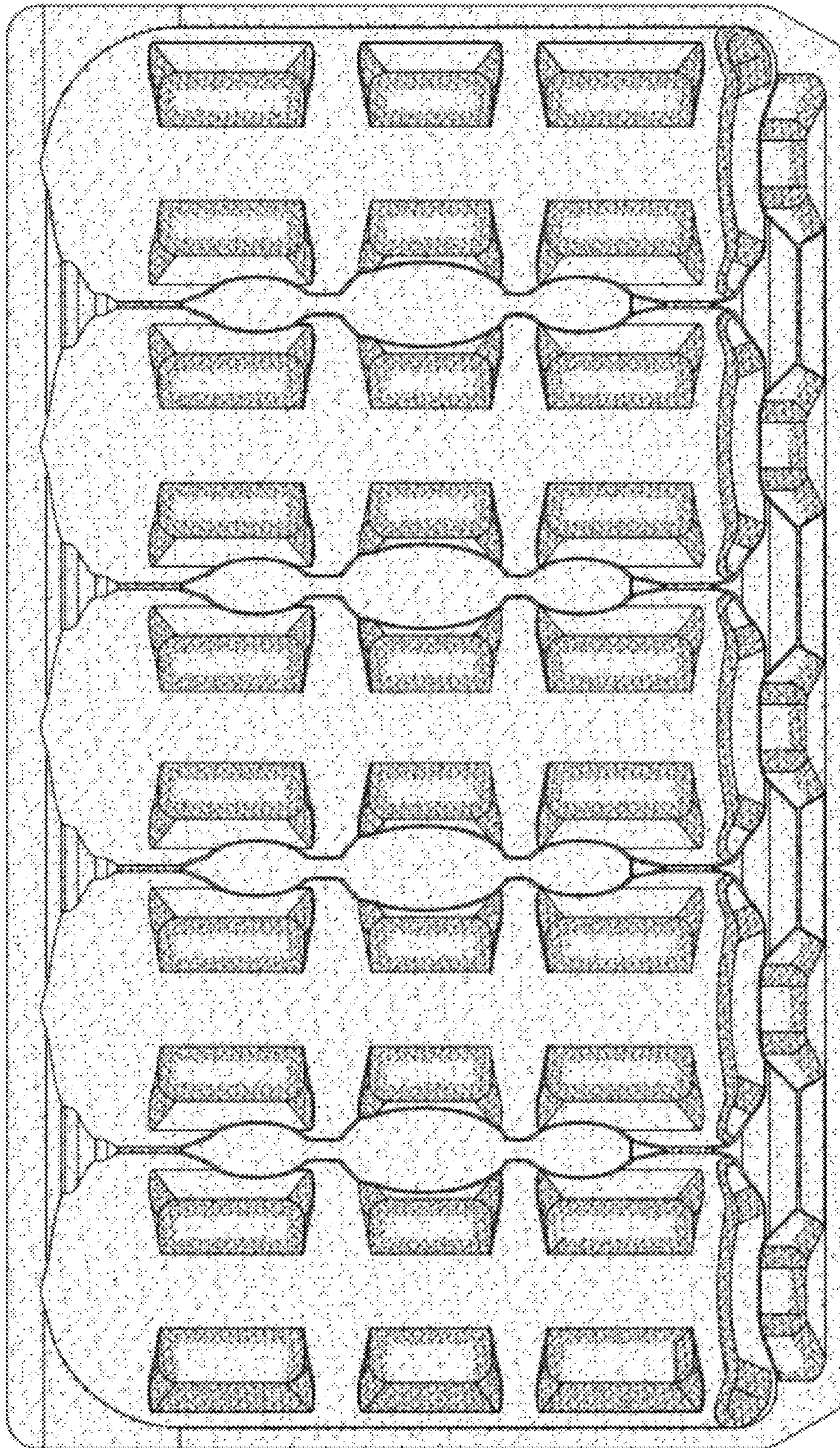


FIG. 10