



US00D656818S

(12) **United States Design Patent**
Dunwoody

(10) **Patent No.:** **US D656,818 S**
(45) **Date of Patent:** **** *Apr. 3, 2012**

(54) **CLOSURE CAP**
(75) Inventor: **Paul Robert Dunwoody**, Oxfordshire
(GB)
(73) Assignee: **Crown Packaging Technology, Inc.**,
Alsip, IL (US)

3,836,033 A 9/1974 Podesta
D239,437 S 4/1976 Boduch
D240,595 S 7/1976 Kress
(Continued)

(*) Notice: This patent is subject to a terminal dis-
claimer.
(**) Term: **14 Years**

FOREIGN PATENT DOCUMENTS
DE 2933547 3/1981
(Continued)

(21) Appl. No.: **29/361,449**

OTHER PUBLICATIONS
U.S. Appl. No. 29/361,421, filed May 11, 2010, Dunwoody et al.
(Continued)

(22) Filed: **May 11, 2010**

Primary Examiner — Cynthia Underwood
(74) *Attorney, Agent, or Firm* — Woodcock Washburn LLP

(51) **LOC (9) Cl.** **09-07**
(52) **U.S. Cl.** **D9/435**
(58) **Field of Classification Search** D9/435,
D9/434, 454, 445, 500, 452; 220/269–271,
220/500, 600, 619, 623; 413/31, 6, 8; 426/118;
72/348, 349; D7/900, 396.2, 538, 510, 511,
D7/392.1

See application file for complete search history.

(57) **CLAIM**
I claim the ornamental design for a closure cap, as shown and
described.

(56) **References Cited**

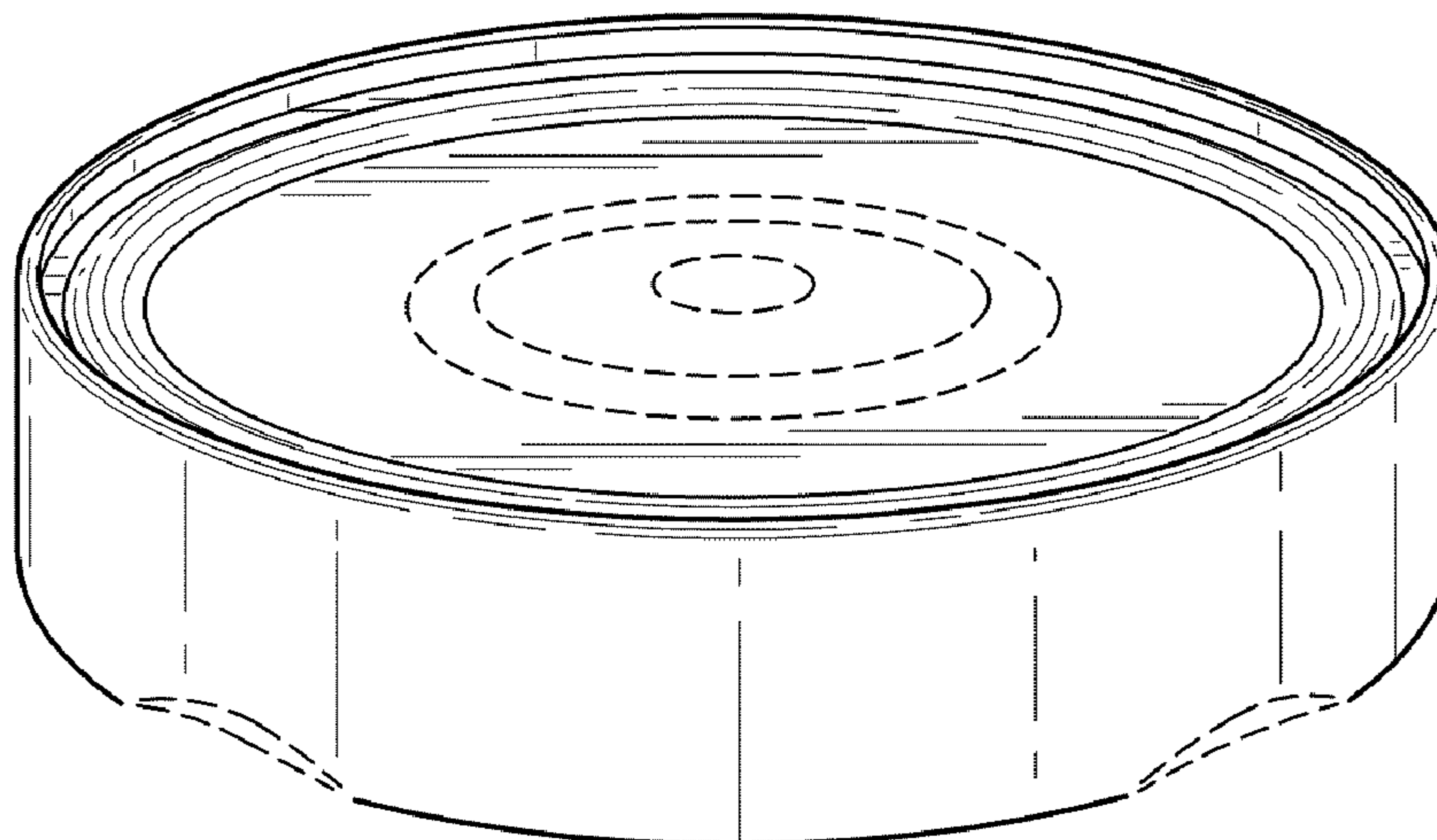
DESCRIPTION

U.S. PATENT DOCUMENTS

D30,764 S	5/1899	Ross
1,349,837 A	8/1920	Johnson
1,699,069 A	1/1929	Huntar
2,139,682 A	12/1938	Hothersall
2,166,923 A	7/1939	Woodcock
2,216,082 A	9/1940	Kronquest et al.
2,522,301 A	9/1950	Rooney
2,527,885 A	10/1950	Krueger
2,621,622 A	12/1952	Henchert
2,975,740 A	3/1961	Smith et al.
2,991,602 A	7/1961	Van de Kerke et al.
D192,757 S	5/1962	Foss et al.
3,157,080 A	11/1964	Hanni
3,186,003 A	5/1965	Gregory, Jr. et al.
3,380,419 A	4/1968	Moloney
3,446,381 A	5/1969	Podesta et al.
3,813,972 A	6/1974	Van Alsburg

FIG. 1 is a top perspective view of a closure cap according to a first embodiment of our new design.
FIG. 2 is a bottom perspective view thereof.
FIG. 3 is a left side view thereof, the front, back, and right side views being identical to the left side view.
FIG. 4 is a top view thereof.
FIG. 5 is a bottom view thereof.
FIG. 6 is a top perspective view of a closure cap according to a second embodiment of our new design; and,
FIG. 7 is a bottom perspective view thereof.
The left side, right side, front, back, top and bottom views of the second embodiment are identical to the left side, right side, front, back, top, and bottom views of the first embodiment.
The portions of the drawings appearing in broken line are for environment only and do not form a part of the claimed design.

1 Claim, 3 Drawing Sheets



US D656,818 S

Page 2

U.S. PATENT DOCUMENTS

4,004,478	A	1/1977	Morgan	
D244,065	S	4/1977	Daenen	
4,022,141	A	5/1977	Bartenstein	
4,299,147	A	11/1981	Rogers	
D266,906	S	11/1982	Guerette	
4,473,163	A	9/1984	Geiger	
D286,026	S	* 10/1986	Rayner D9/435
D291,971	S	9/1987	Smith	
4,762,579	A	8/1988	Shimizu et al.	
4,808,053	A	2/1989	Nagai et al.	
4,942,777	A	7/1990	Fife	
5,014,491	A	5/1991	Tsukada et al.	
5,078,564	A	1/1992	Zago	
5,325,696	A	7/1994	Jentzsch et al.	
D359,451	S	* 6/1995	Dees D9/443
5,782,599	A	7/1998	Moran et al.	
5,839,869	A	11/1998	Moran et al.	
D471,453	S	* 3/2003	Stodd D9/434
D480,304	S	10/2003	Stodd	
6,662,958	B2	12/2003	German et al.	
D489,005	S	4/2004	Miceli et al.	
D492,596	S	* 7/2004	Miceli et al. D9/435
D495,600	S	* 9/2004	Kouri D9/435
D522,364	S	6/2006	Hicks et al.	
D526,740	S	8/2006	Xu	
D536,975	S	2/2007	Smith et al.	
D608,638	S	* 1/2010	Pontes D9/446
D612,196	S	3/2010	Furlong	
7,731,048	B2	6/2010	Alvares et al.	
D623,943	S	9/2010	Weld	
D628,894	S	12/2010	Pontes	
D640,556	S	* 6/2011	Bragg et al. D9/449
2004/0016758	A1	1/2004	Richardson	
2006/0191933	A1*	8/2006	Hicks et al. 220/254.3
2007/0090111	A1	4/2007	Alvares et al.	
2010/0003109	A1	1/2010	Ramsey et al.	

FOREIGN PATENT DOCUMENTS

DE	3619322	12/1986
EP	0092884	11/1983
EP	0599549	6/1994
EP	1686070	8/2006
EP	1918041	5/2008
FR	620920	5/1927
FR	769264	8/1934
FR	2177118	11/1973
WO	WO 1995/11104	4/1995
WO	WO 2005/063587	7/2005
WO	WO 2008/053014	5/2008
WO	WO 2009/060291	5/2009
WO	WO 2009/115377	9/2009
WO	WO 2009/130122	10/2009

OTHER PUBLICATIONS

U.S. Appl. No. 29/361,422, filed May 11, 2010, Dunwoody et al.
 U.S. Appl. No. 29/361,424, filed May 11, 2010, Dunwoody et al.
 U.S. Appl. No. 29/361,443, filed May 11, 2010, Dunwoody et al.
 U.S. Appl. No. 29/361,446, filed May 11, 2010, Dunwoody et al.
 U.S. Appl. No. 29/361,448, filed May 11, 2010, Dunwoody et al.
 U.S. Appl. No. 29/361,437, filed May 11, 2010, Dunwoody et al.
 U.S. Appl. No. 29/361,441, filed May 11, 2010, Dunwoody et al.
 U.S. Appl. No. 12/922,989, filed Feb. 23, 2009, Dunwoody et al.
 U.S. Appl. No. 12/988,933, filed Apr. 6, 2009, Dunwoody et al.
 U.S. Appl. No. 29/382,735, filed Jan. 6, 2011, Dunwoody.
 U.S. Appl. No. 29/382,739, filed Jan. 6, 2011, Dunwoody.
 U.S. Appl. No. 29/382,732, filed Jan. 6, 2011, Dunwoody.
 U.S. Appl. No. 29/382,738, filed Jan. 6, 2011, Dunwoody.
 U.S. Appl. No. 29/382,744, filed Jan. 6, 2011, Dunwoody.

* cited by examiner

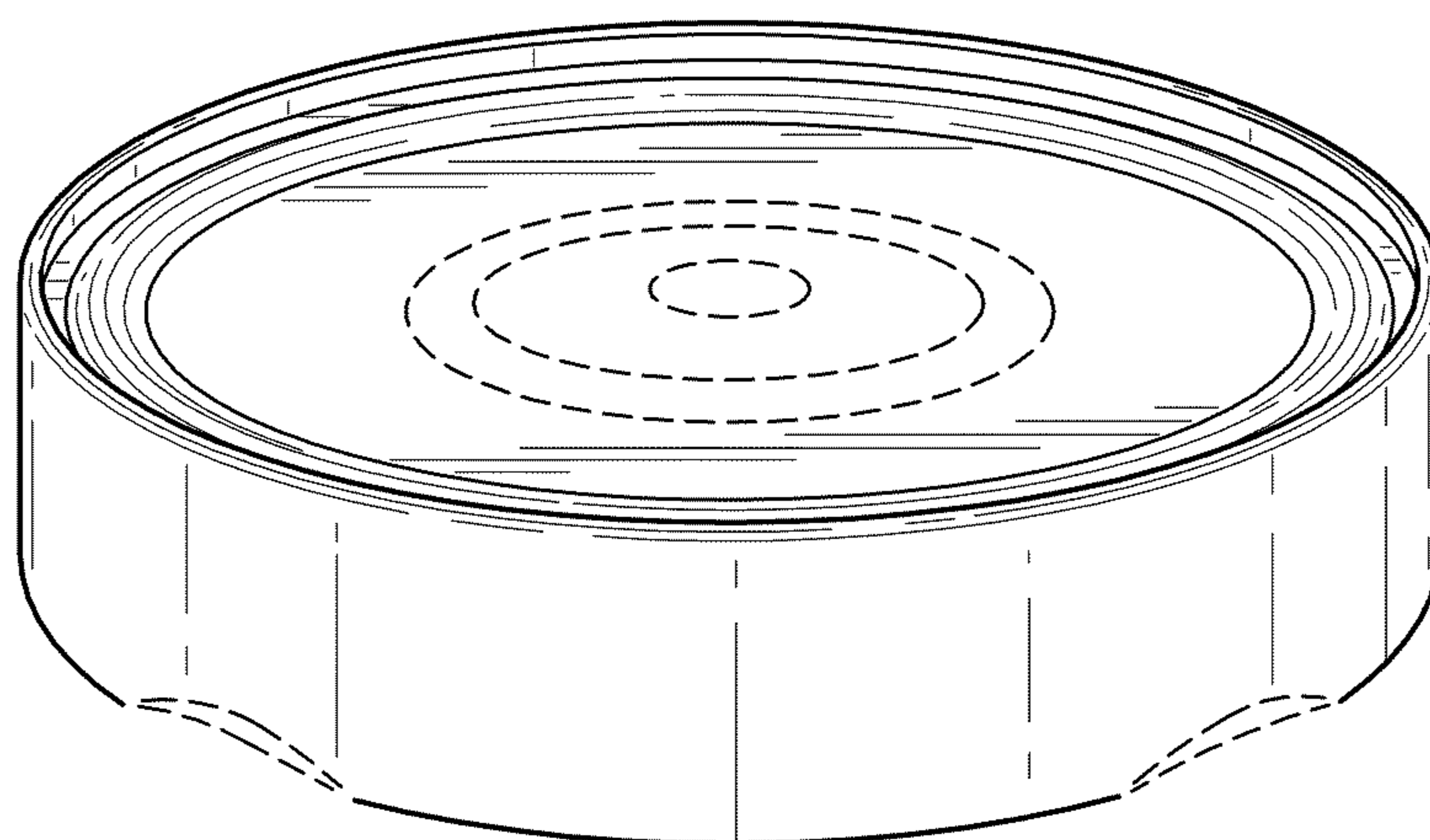


FIG. 1

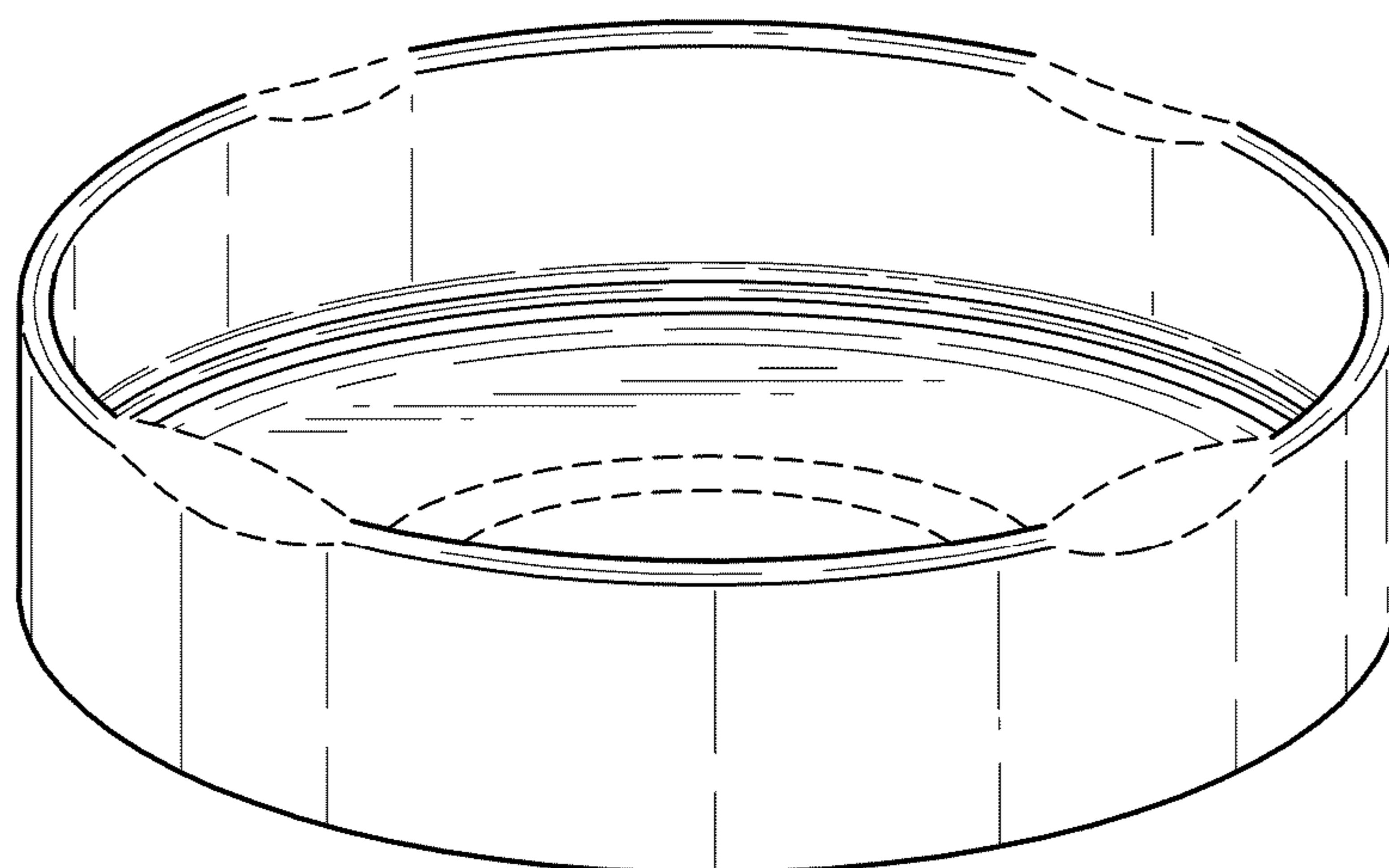


FIG. 2

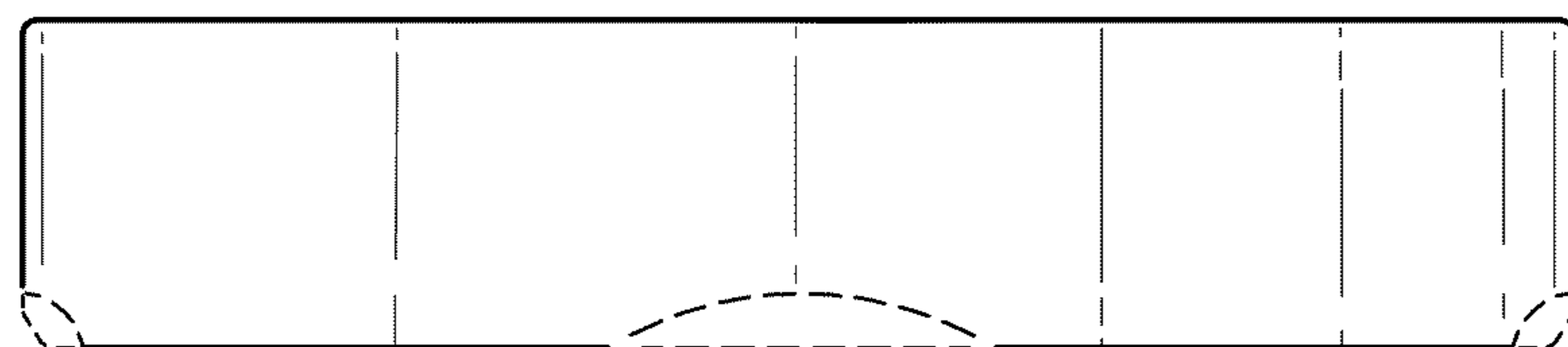


FIG. 3

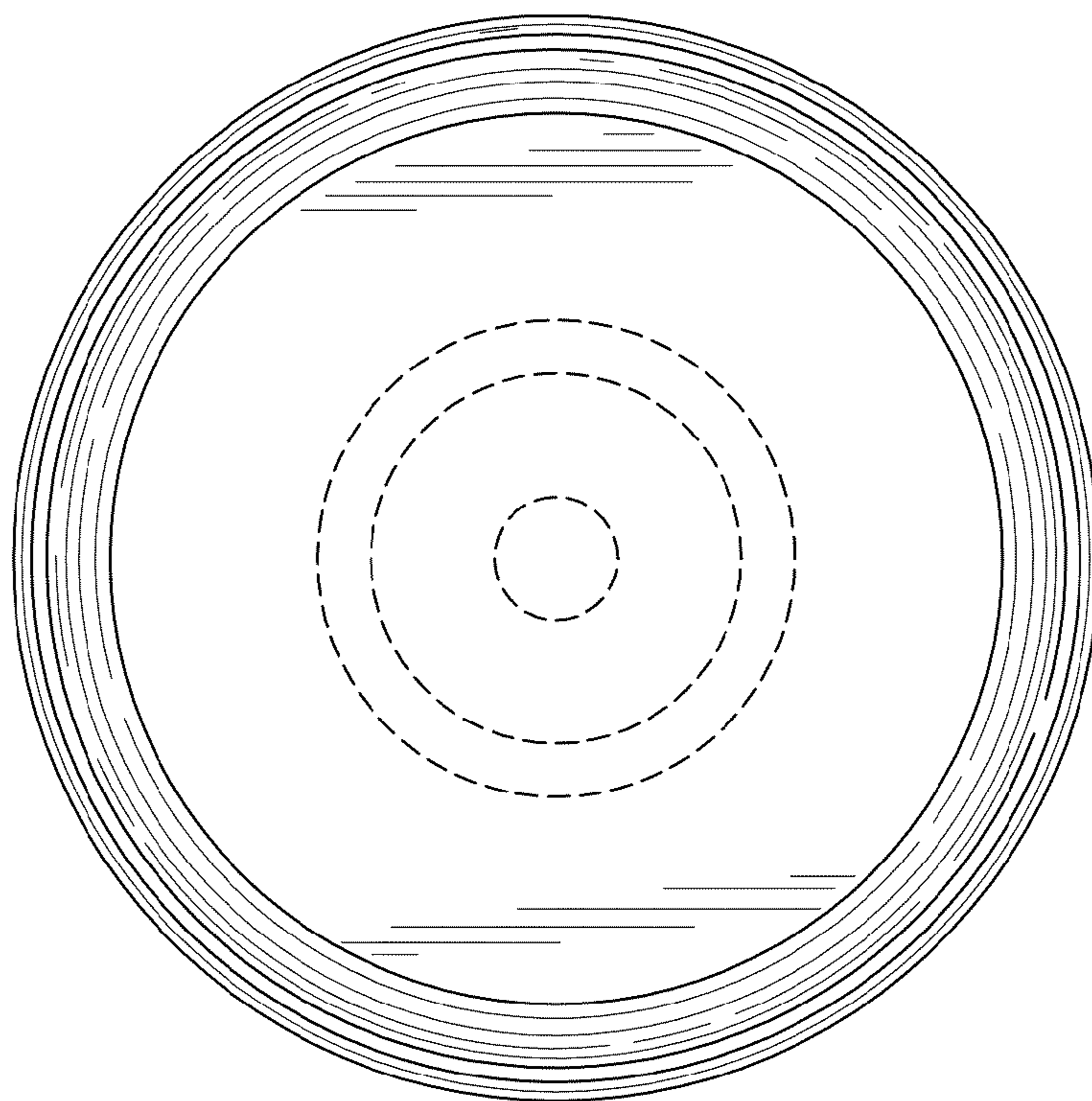


FIG. 4

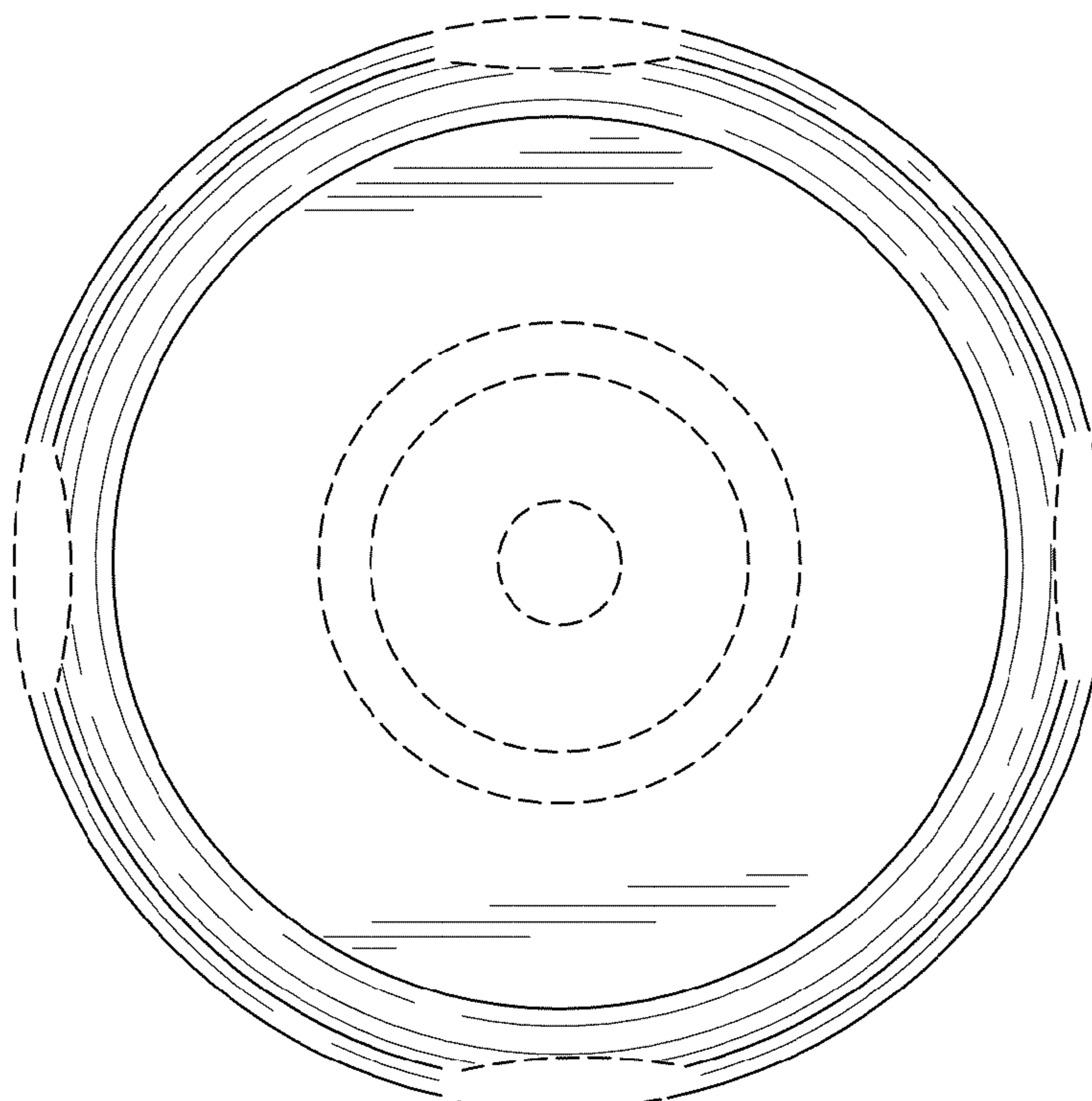


FIG. 5

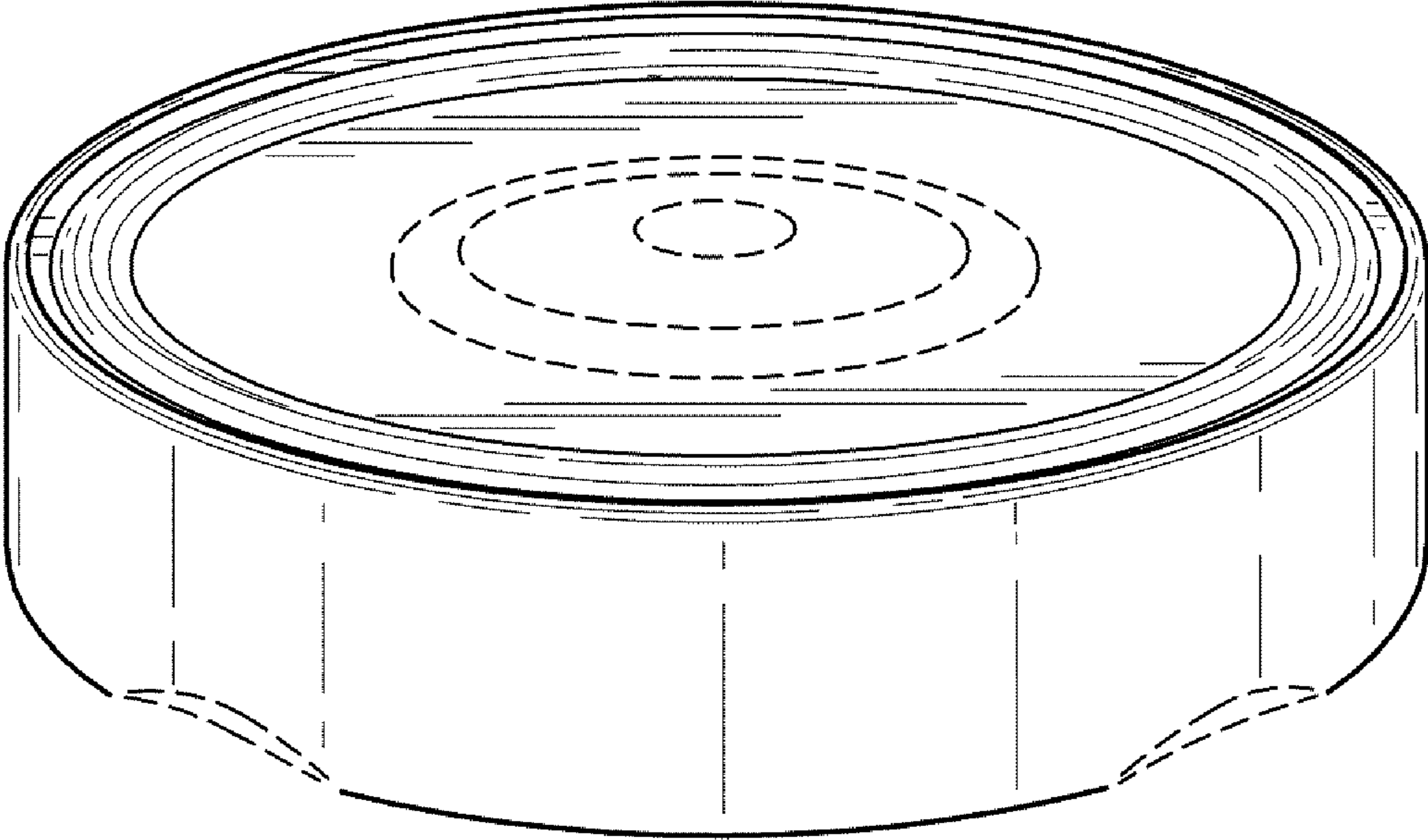


FIG. 6

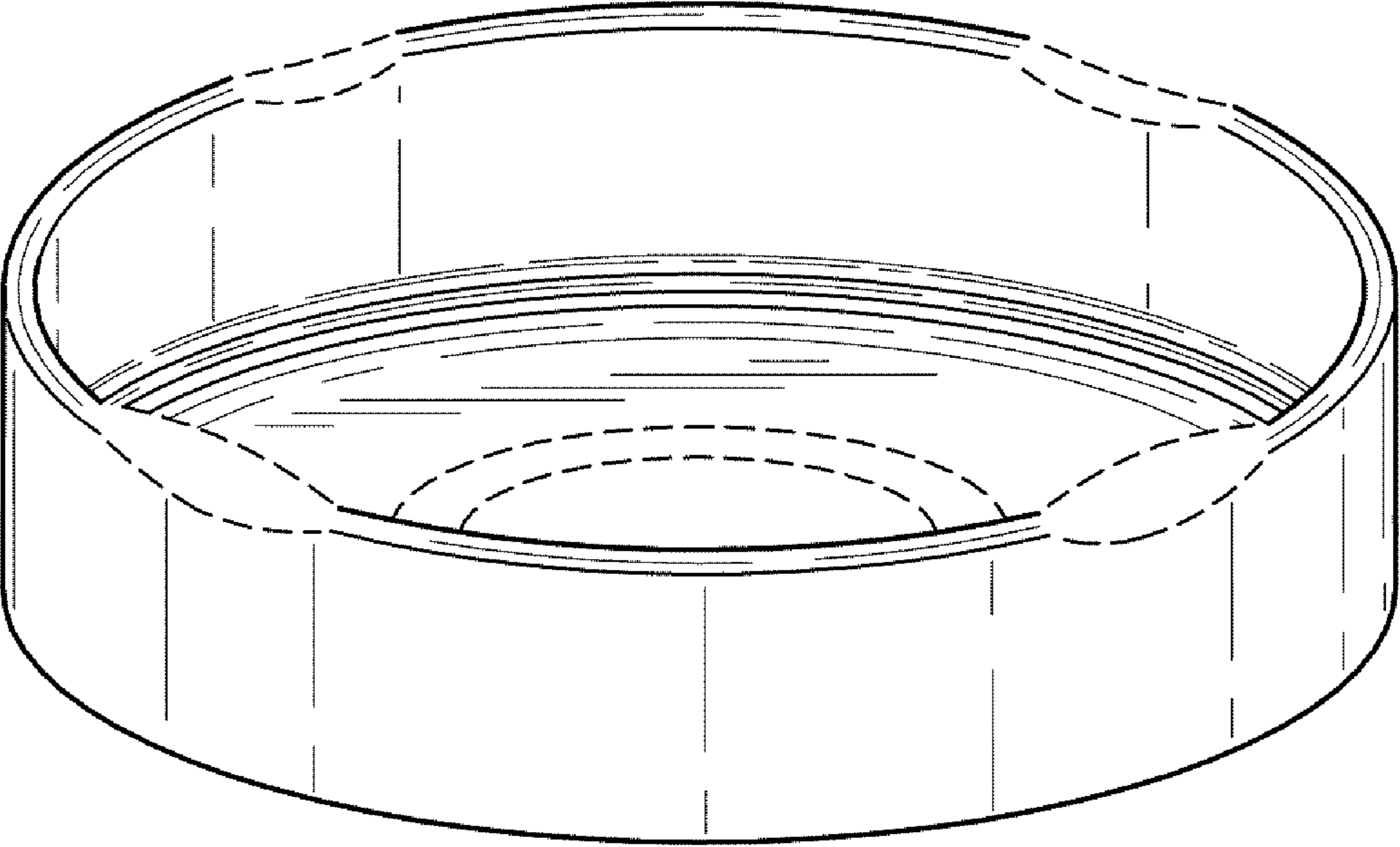


FIG. 7