



US00D656816S

(12) **United States Design Patent**
Glaser et al.

(10) **Patent No.:** **US D656,816 S**

(45) **Date of Patent:** **** Apr. 3, 2012**

(54) **FOOD CONTAINER**

(75) Inventors: **Paul Glaser**, Flodys Knobs, IN (US);
Susan Miles, Georgetown, IN (US);
David Menis, Louisville, KY (US); **Sam**
Chadha, Highland Park, IL (US); **Ryan**
Davidson, Evansville, IN (US); **Scott**
Fisher, Evansville, IN (US)

(73) Assignee: **KFC Corporation**, Louisville, KY (US)

(**) Term: **14 Years**

(21) Appl. No.: **29/402,168**

(22) Filed: **Sep. 21, 2011**

(51) **LOC (9) Cl.** **09-03**

(52) **U.S. Cl.** **D9/424; D9/425; D9/761**

(58) **Field of Classification Search** D9/424,
D9/414, 418-423, 425, 428-432, 435, 436,
D9/455, 499; D3/202, 273, 328; D7/538,
D7/543, 601, 602, 604, 608, 610, 612, 629;
206/486, 488, 490, 503, 504, 557, 562, 565,
206/521.1, 775, 776, 815, 822; 220/676,
220/781, 786, 789, 790, 793, 912; 229/406,
229/407, 906, 915, 925; 426/120

See application file for complete search history.

(56) **References Cited**

U.S. PATENT DOCUMENTS

D285,656 S * 9/1986 Champion D9/503
5,242,071 A * 9/1993 Goebel 220/4.23
D345,832 S * 4/1994 Frazee et al. D32/53.1
D404,262 S * 1/1999 McGill D7/629
5,871,116 A * 2/1999 Picchiatti 220/501
D412,811 S * 8/1999 Rotta D7/540
D415,420 S * 10/1999 Chen D9/428
D424,768 S * 5/2000 Tsou D32/53

D452,441 S * 12/2001 Bezek et al. D9/502
D453,405 S * 2/2002 Howard D34/1
D471,803 S * 3/2003 Trombly D9/737
D529,820 S * 10/2006 Kissner et al. D9/737
D548,586 S * 8/2007 Waples D9/428
D576,839 S * 9/2008 Mansfield D7/513
D577,258 S * 9/2008 Mansfield D7/513
D610,875 S * 3/2010 Wingfield et al. D7/538
D628,476 S * 12/2010 Vang D9/428
D631,302 S * 1/2011 Sperrazza D7/629
D645,748 S * 9/2011 Sharma et al. D9/503
2007/0172556 A1 * 7/2007 Berrysmith 426/106
2007/0227919 A1 * 10/2007 True 206/219

(Continued)

Primary Examiner — Mark Goodwin

(74) *Attorney, Agent, or Firm* — Stites & Harbison, PLLC;
David W. Nagle, Jr.

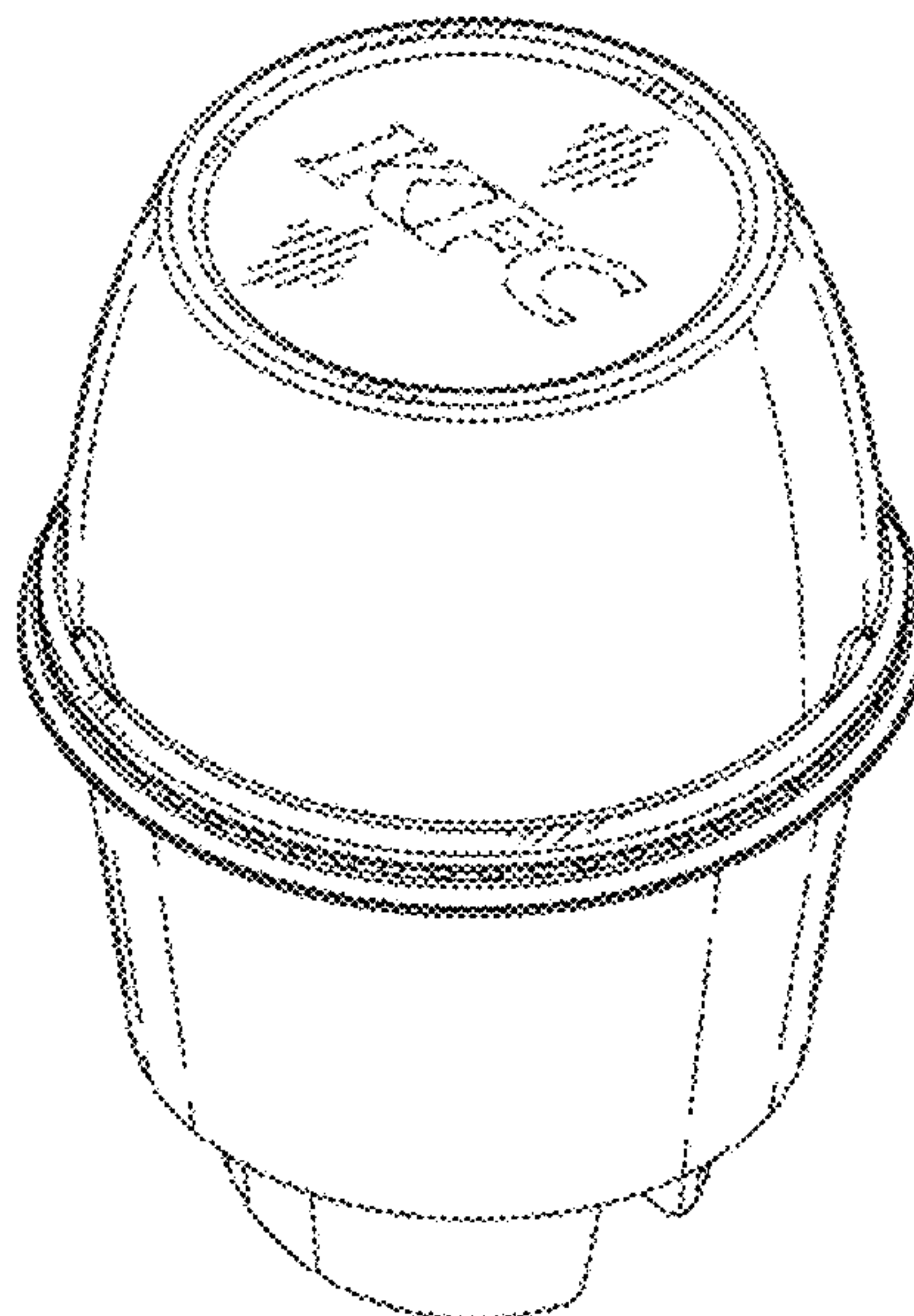
(57) **CLAIM**

The ornamental design for a food container, as shown and described.

DESCRIPTION

FIG. 1 is a perspective view of a food container incorporating the design of the present invention;
FIG. 2 is another perspective view of the food container of FIG. 1, but with the lid removed;
FIG. 3 is a front view of the food container of FIG. 1;
FIG. 4 is a rear view of the food container of FIG. 1;
FIG. 5 is a left side view of the food container of FIG. 1;
FIG. 6 is a right side view of the food container of FIG. 1;
FIG. 7 is a top view of the food container of FIG. 1; and,
FIG. 8 is a bottom view of the food container of FIG. 1.
The broken line showing in FIGS. 1 and 7 is included for the purpose of illustrating environmental structure only and forms no part of the claimed design.

1 Claim, 4 Drawing Sheets



U.S. PATENT DOCUMENTS

* cited by examiner

2008/0251521 A1* 10/2008 Efremenko 220/669
2009/0186133 A1* 7/2009 Bjork et al. 426/234
2009/0200301 A1* 8/2009 Beekman et al. 220/4.27
2011/0020506 A1* 1/2011 Bordini Cantucci et al. . 426/120

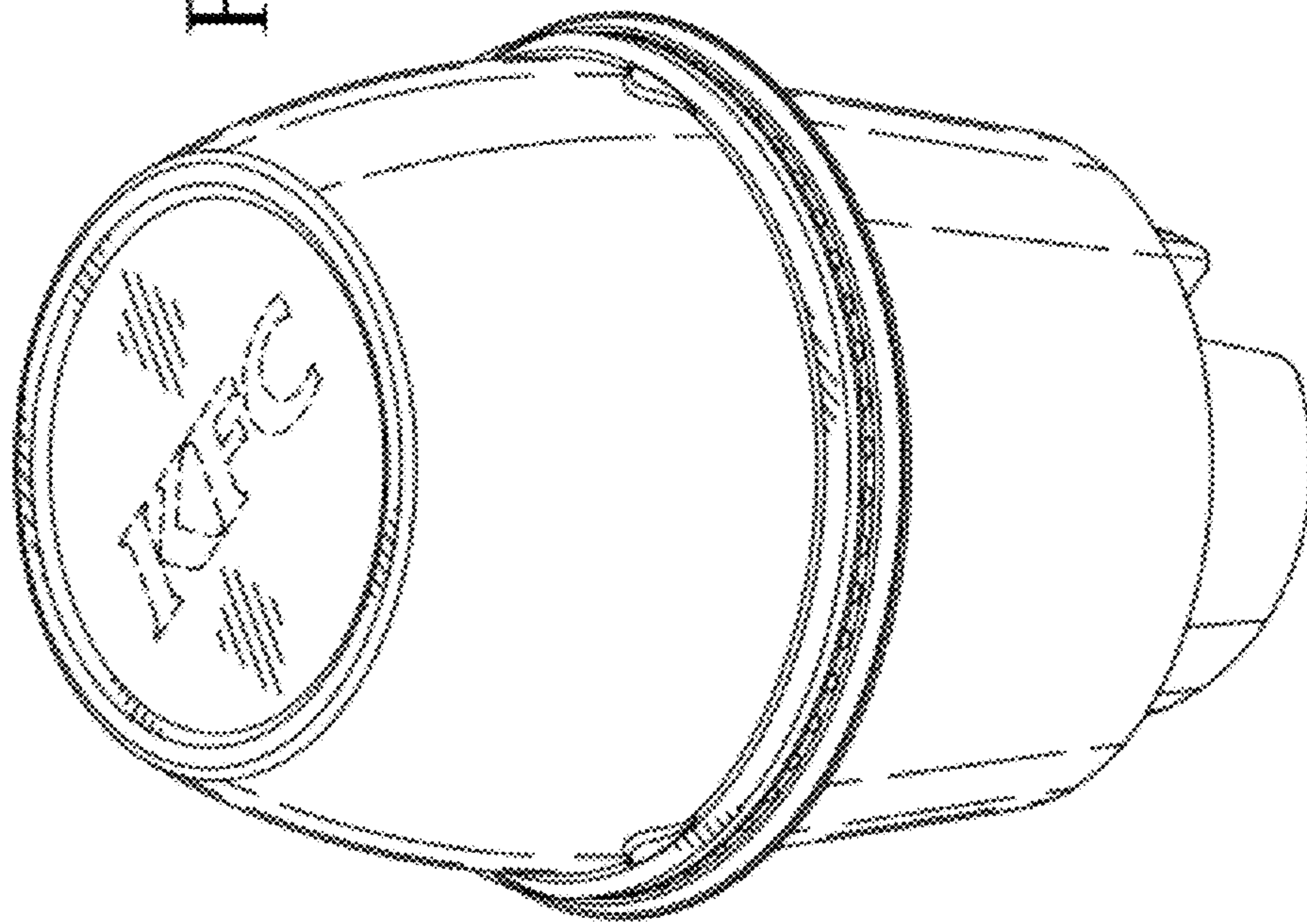


FIG. 1

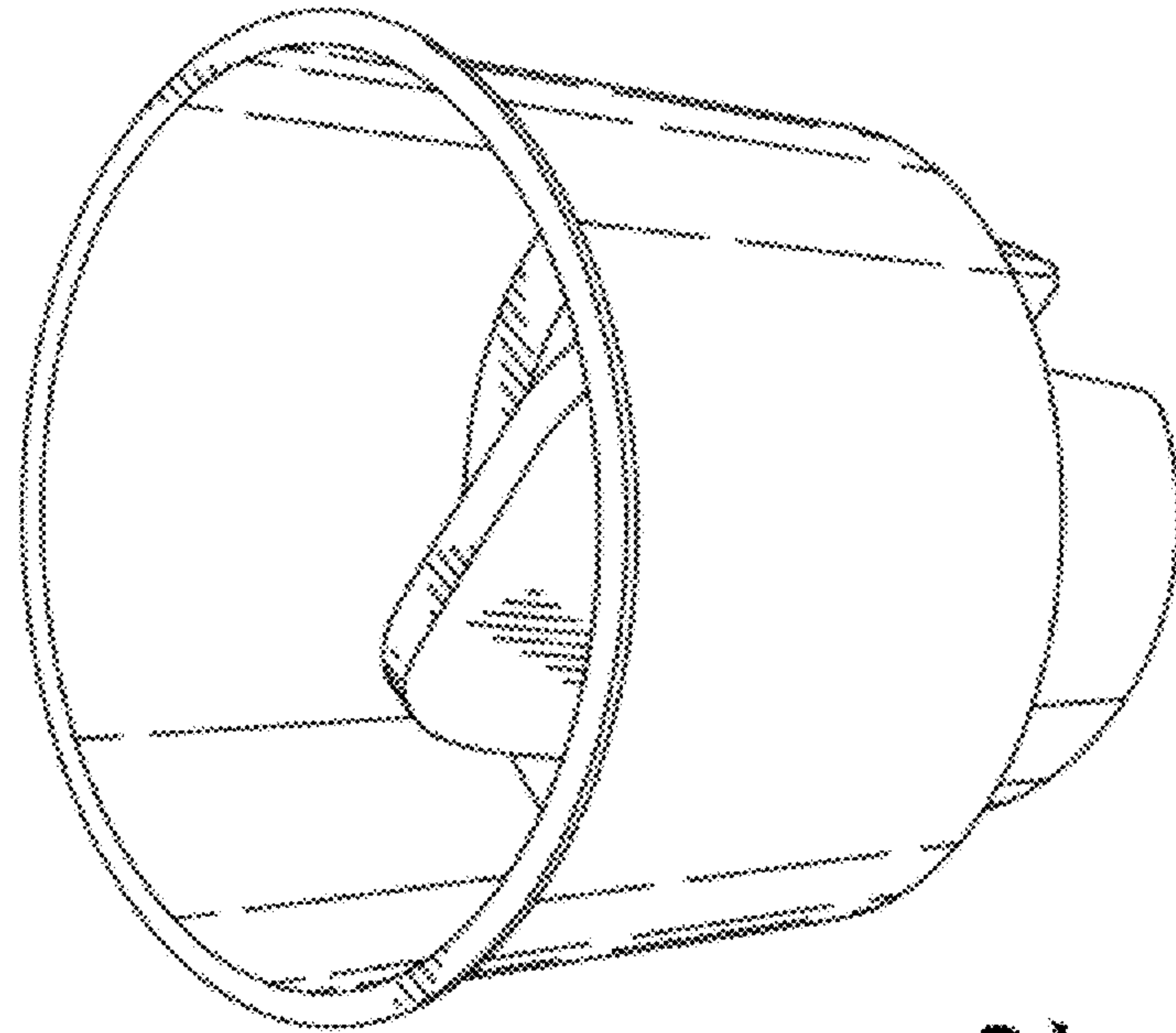


FIG. 2

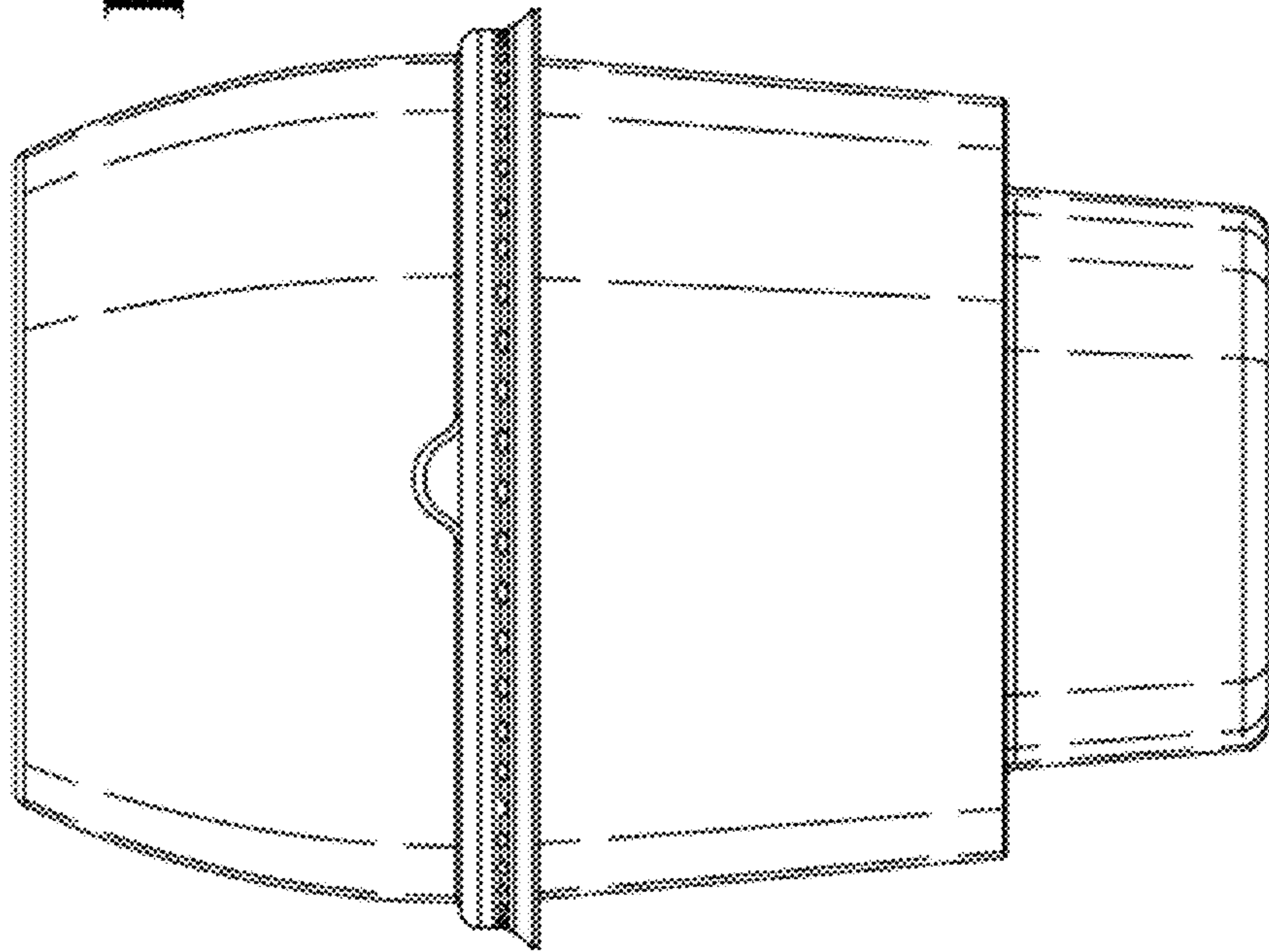


FIG. 3

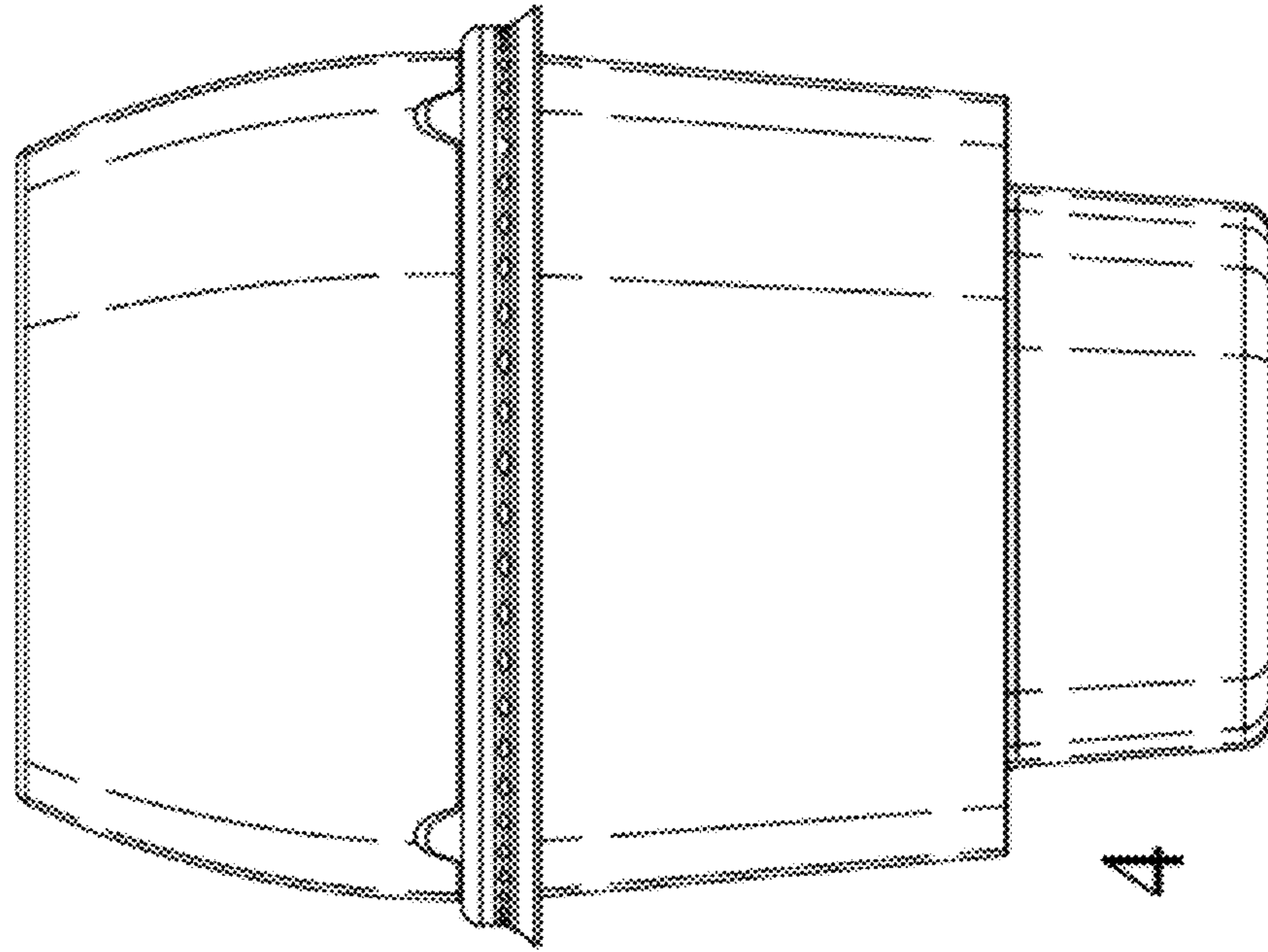


FIG. 4

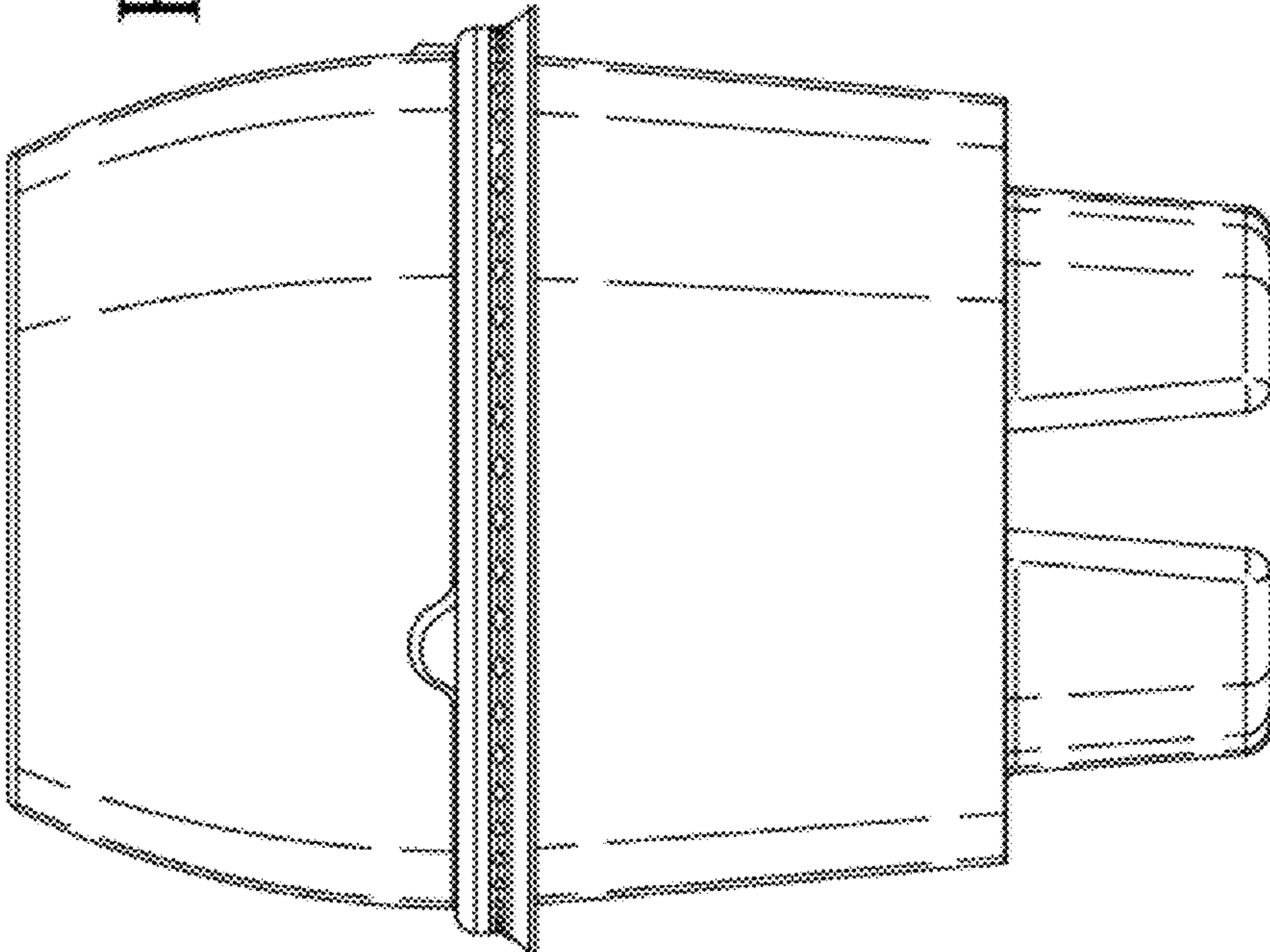


FIG. 5

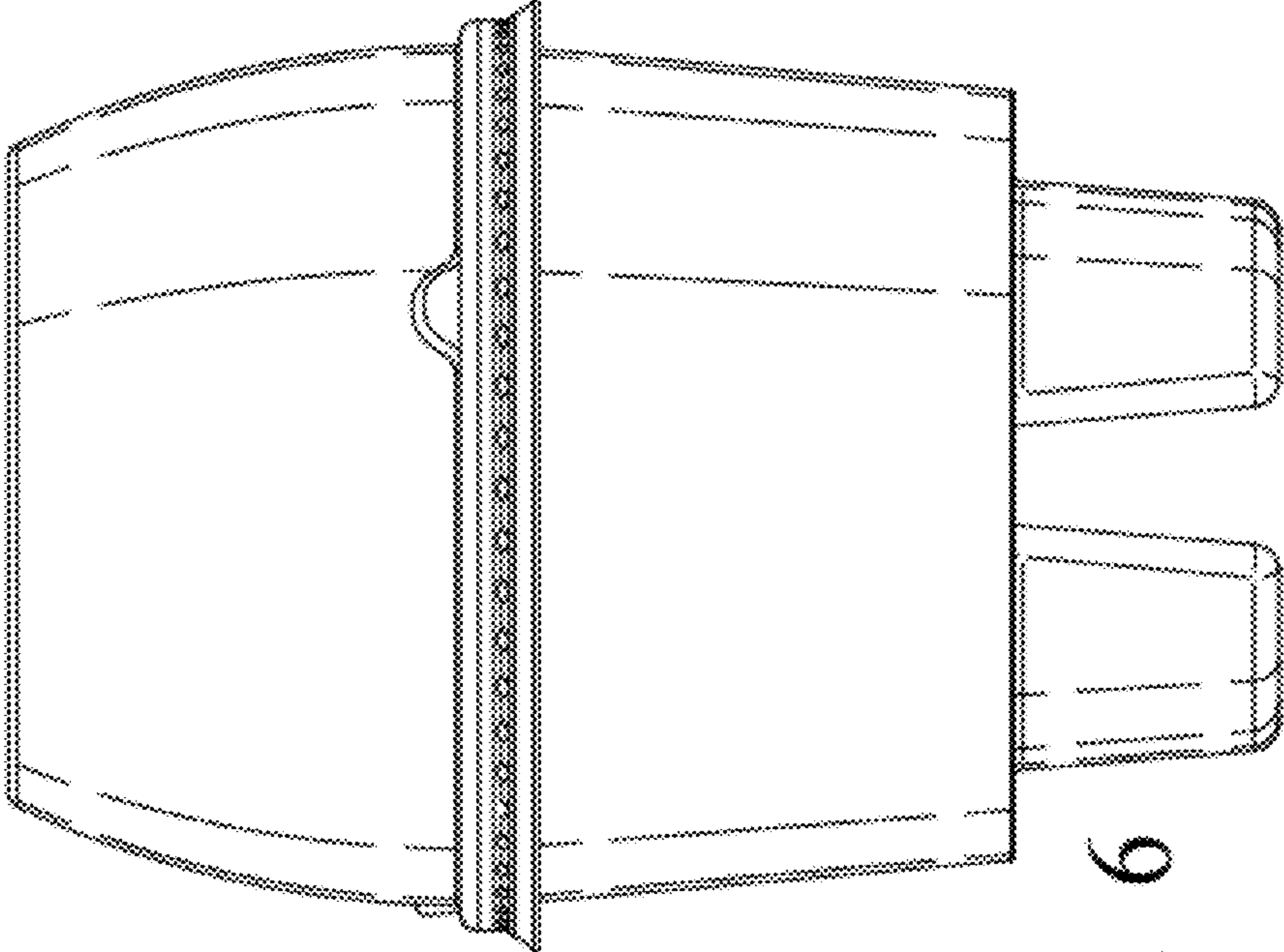


FIG. 6

FIG. 7

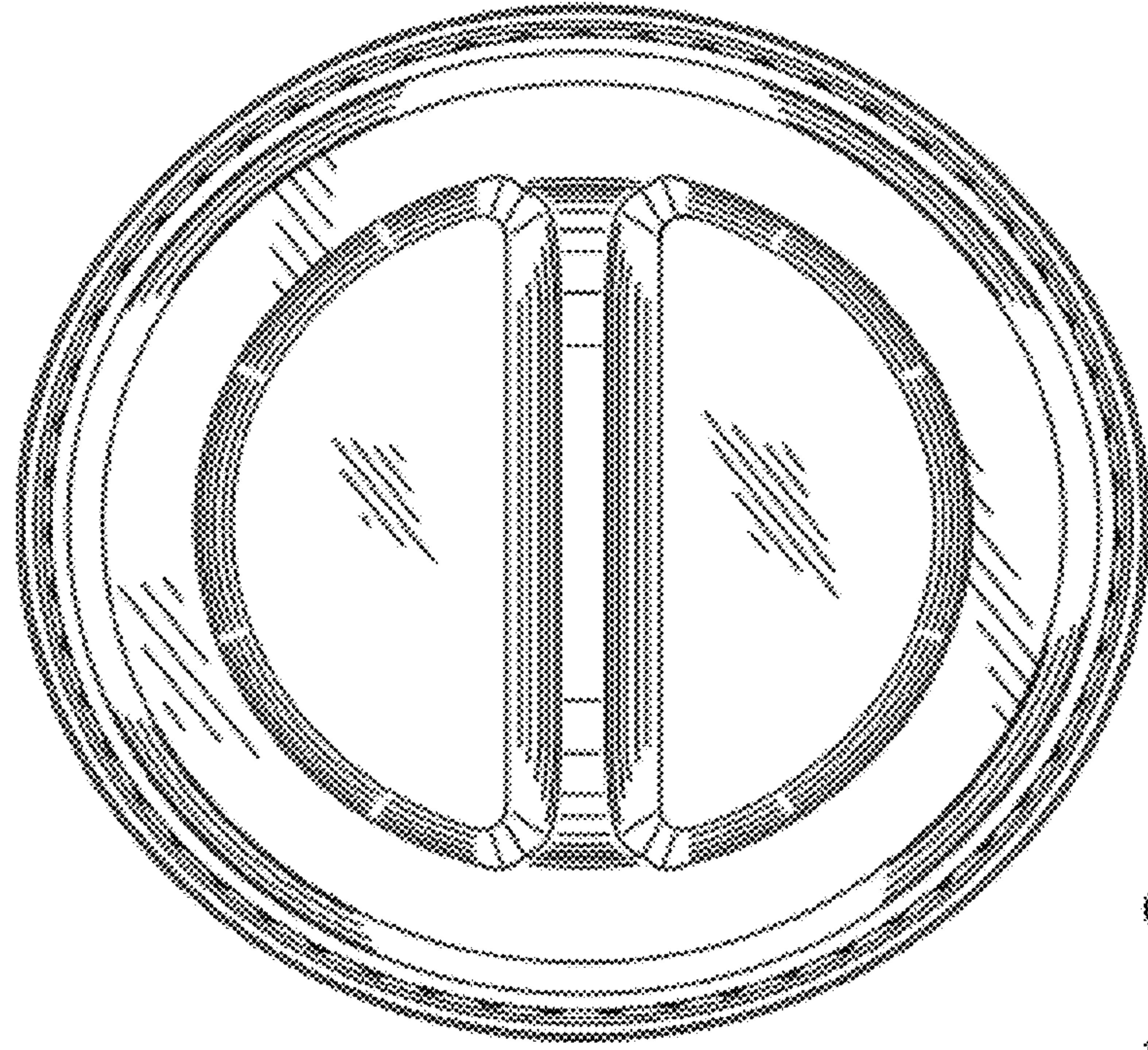
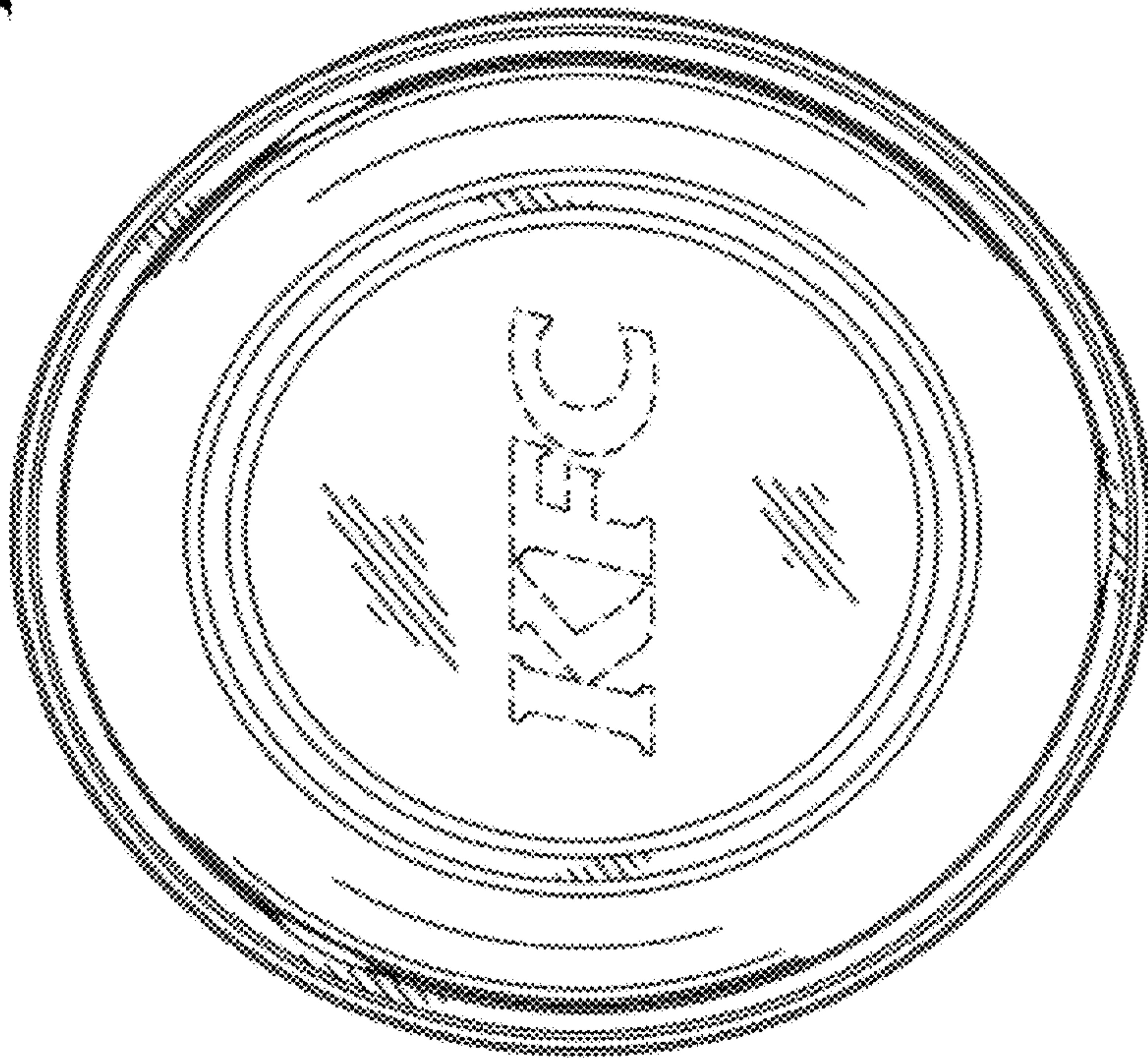


FIG. 8