



US00D656815S

(12) **United States Design Patent**
Fisher et al.

(10) **Patent No.:** **US D656,815 S**

(45) **Date of Patent:** **** Apr. 3, 2012**

(54) **CONTAINER**

(75) Inventors: **Scott L. Fisher**, Evansville, IN (US);
Monica Beth Ciaramitaro, Broomfield,
CO (US); **Tom Walker**, Evansville, IN
(US); **Ray Fallen**, Evansville, IN (US)

(73) Assignee: **Berry Plastics Corporation**, Evansville,
IN (US)

(**) Term: **14 Years**

(21) Appl. No.: **29/357,328**

(22) Filed: **Mar. 10, 2010**

(51) **LOC (9) Cl.** **03-01**

(52) **U.S. Cl.** **D9/318; D9/425; D9/434; D32/53**

(58) **Field of Classification Search** D9/715-717,
D9/782, 506-508, 516, 560, 571, 532, 414-436,
D9/438, 443, 902, 906, 907; D32/53, 54;
D7/538, 542, 543-549, 601-630, 354, 360,
D7/361, 387, 393, 394, 396.1, 396.3, 396.4,
D7/402; D3/273, 276, 291, 304-314, 318,
D3/321-323, 328, 905; 220/592.03, 592.12-592.15,
220/495.03, 780, 781, 782, 794, 796, 380,
220/62.13, 62.14, 608, 634, 649, 669-676,
220/752-776, 904, 915.1, 915.2, DIG. 10,
220/DIG. 12, DIG. 14; 229/400-404, 406,
229/902, 905, 910-912, 914

See application file for complete search history.

(56) **References Cited**

U.S. PATENT DOCUMENTS

D189,594 S *	1/1961	Robinson	D9/425
D204,507 S *	4/1966	Davis	D32/53
3,448,888 A *	6/1969	Collie et al.	220/781
D233,218 S *	10/1974	Lynn	D32/53
D241,599 S *	9/1976	Croyle et al.	D7/629
D246,439 S *	11/1977	Lynn et al.	D9/425
D341,461 S *	11/1993	Davidson et al.	D3/312
D363,662 S *	10/1995	Plater	D9/425
D384,815 S *	10/1997	Rehrig	D3/318

D429,464 S *	8/2000	Helms	D9/431
D485,070 S *	1/2004	Jessen et al.	D3/318
D511,247 S *	11/2005	Tsuchiya	D3/273
D533,700 S *	12/2006	Lo	D32/53
D540,039 S *	4/2007	van Beuningen	D3/314
D543,030 S *	5/2007	Schafer	D3/272
D548,588 S *	8/2007	Bouveret et al.	D9/428
7,318,536 B2	1/2008	Maravich et al.		
D608,154 S *	1/2010	Furlong	D7/602
D628,470 S *	12/2010	Golota et al.	D9/425
2007/0187407 A1	8/2007	Driskill et al.		
2008/0017651 A1	1/2008	Walker et al.		

FOREIGN PATENT DOCUMENTS

EM	000247606-0002	*	2/2005
EM	000273701-0004	*	3/2005
EM	000349535-0001	*	8/2005
EM	000533633-0023	*	8/2006
EM	000693650-0005	*	5/2007
WO	D052435-001	*	9/2000
WO	D052435-003	*	9/2000
WO	D057927-002	*	12/2001

* cited by examiner

Primary Examiner — Catherine Tuttle

(74) *Attorney, Agent, or Firm* — Barnes & Thornburg LLP

(57) **CLAIM**

The ornamental design for a container, as shown and described.

DESCRIPTION

FIG. 1 is a perspective view of a container showing our design;

FIG. 2 is a front view, the rear view being a mirror image thereof;

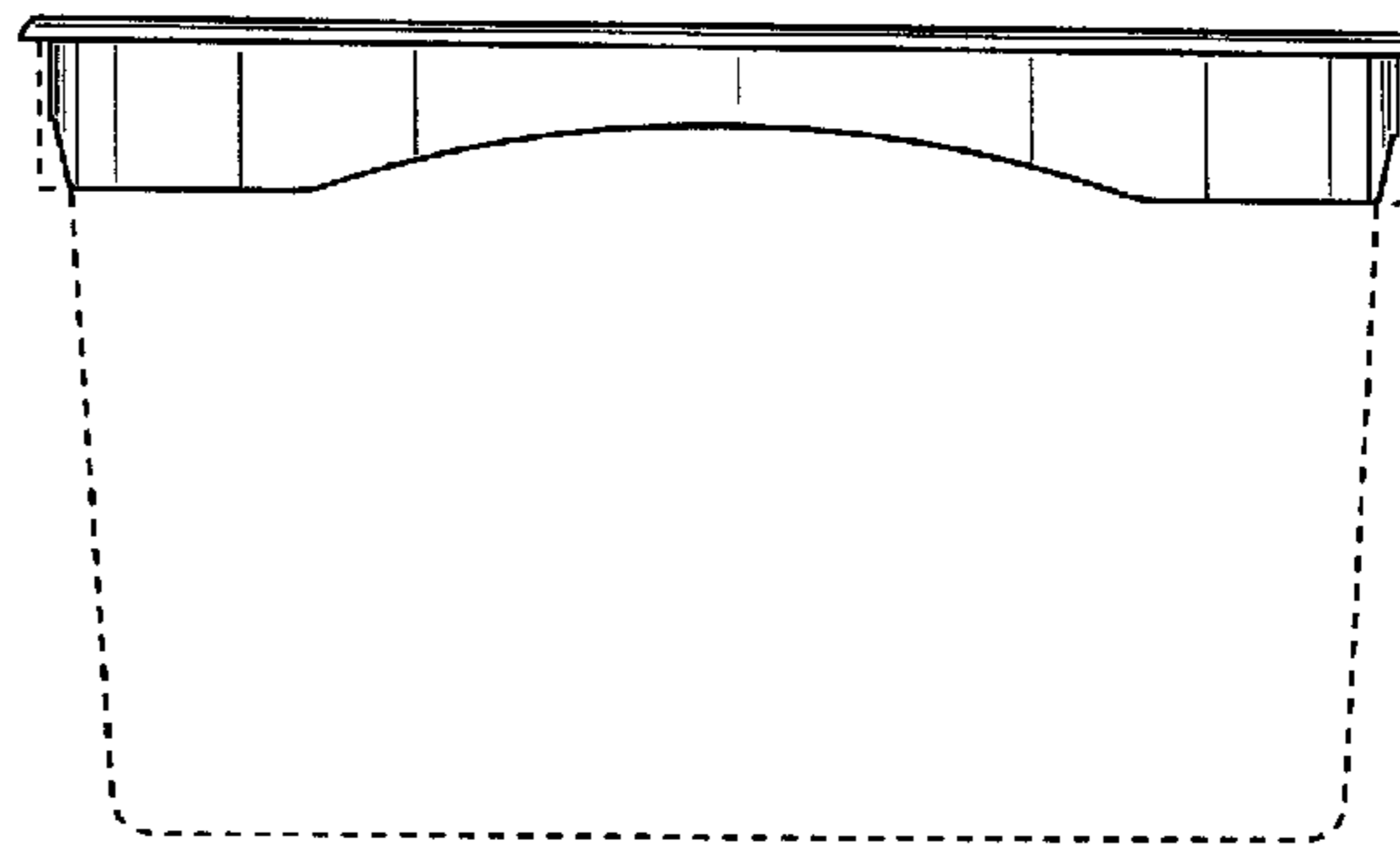
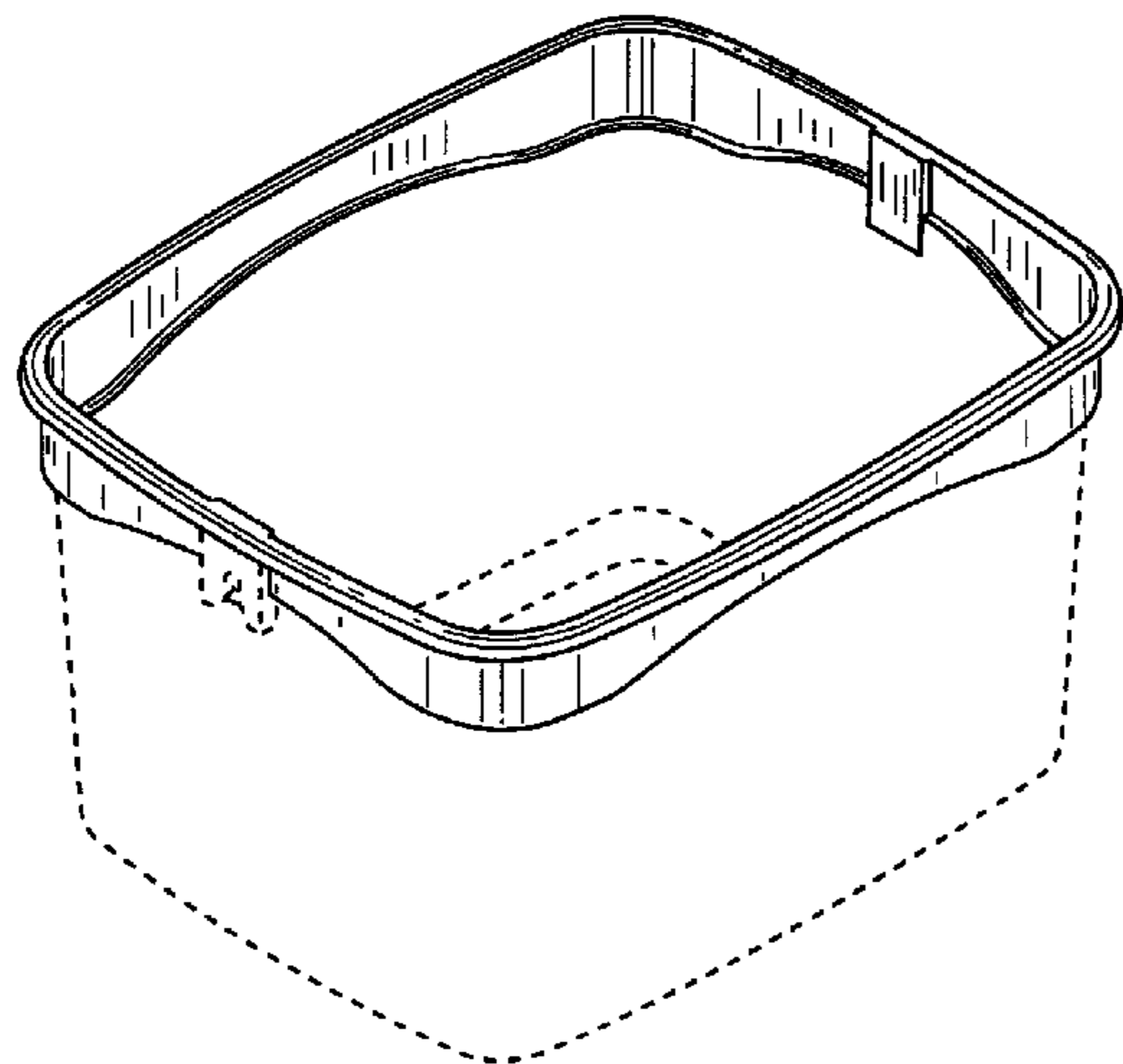
FIG. 3 is a left side view, the right side being a mirror image thereof;

FIG. 4 is a top view thereof; and,

FIG. 5 is a bottom view thereof.

The broken lines are included for the purpose of illustrating portions of the container that form no part of the claimed design.

1 Claim, 5 Drawing Sheets



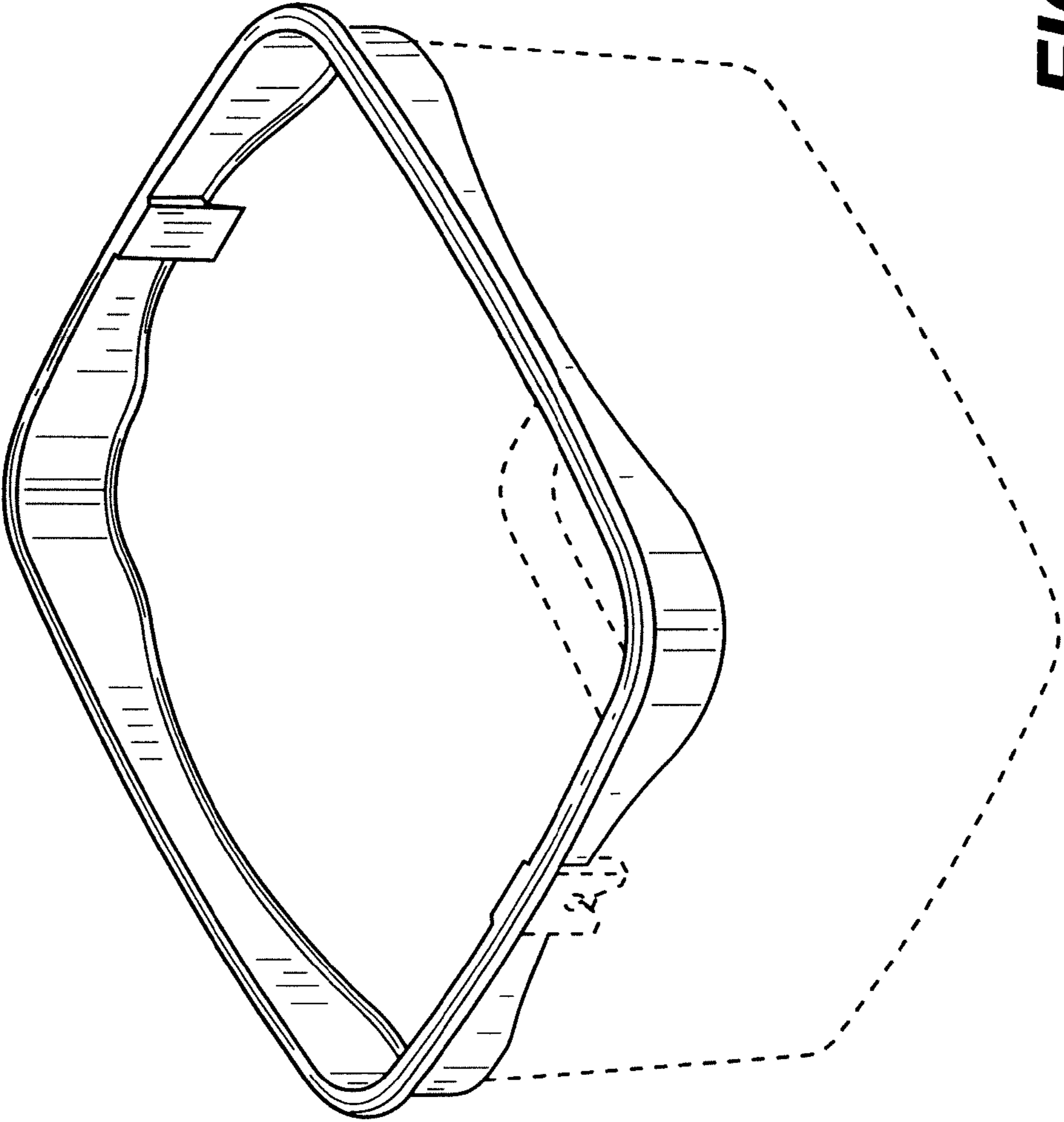


FIG. 1

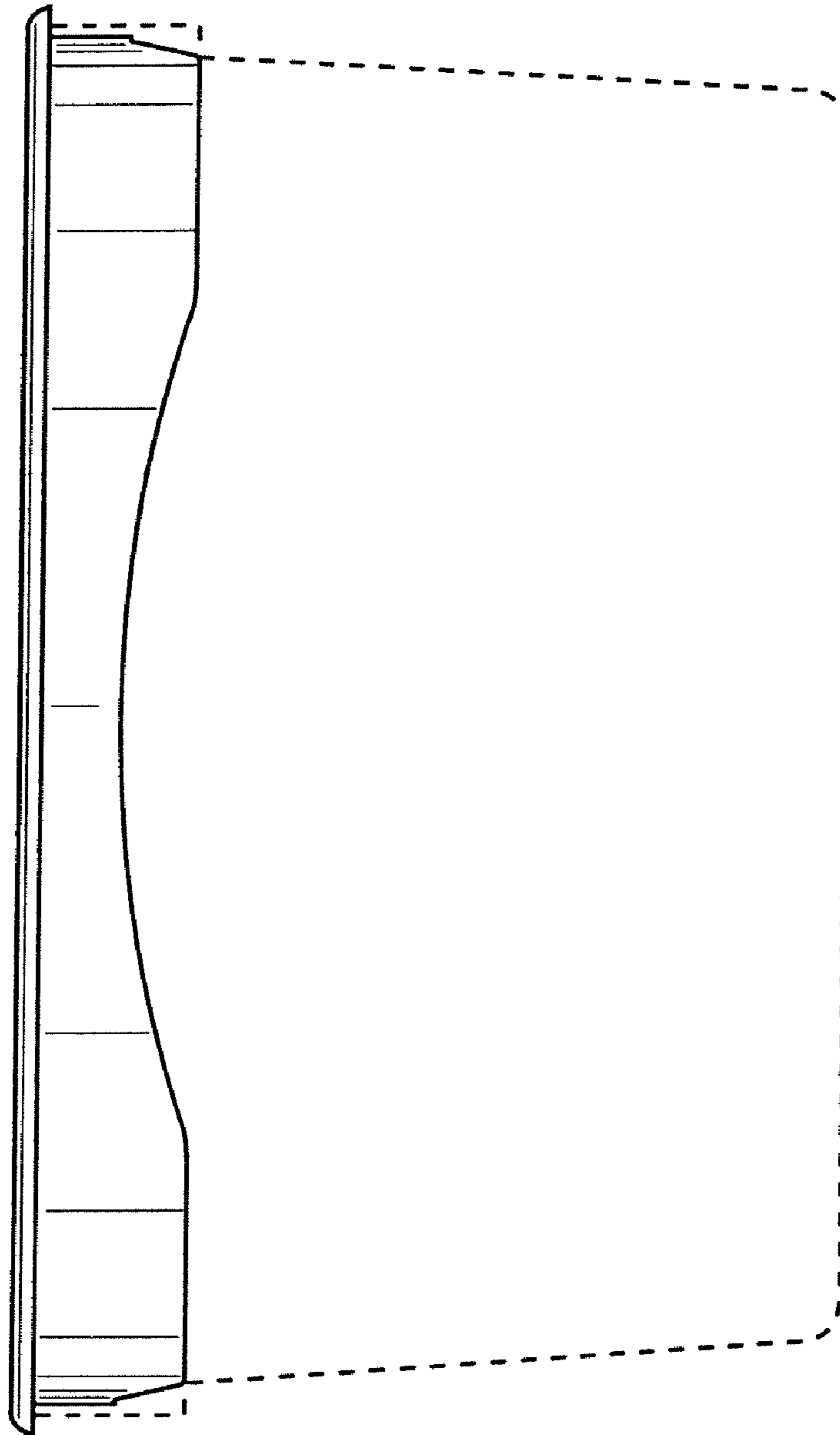


FIG. 2

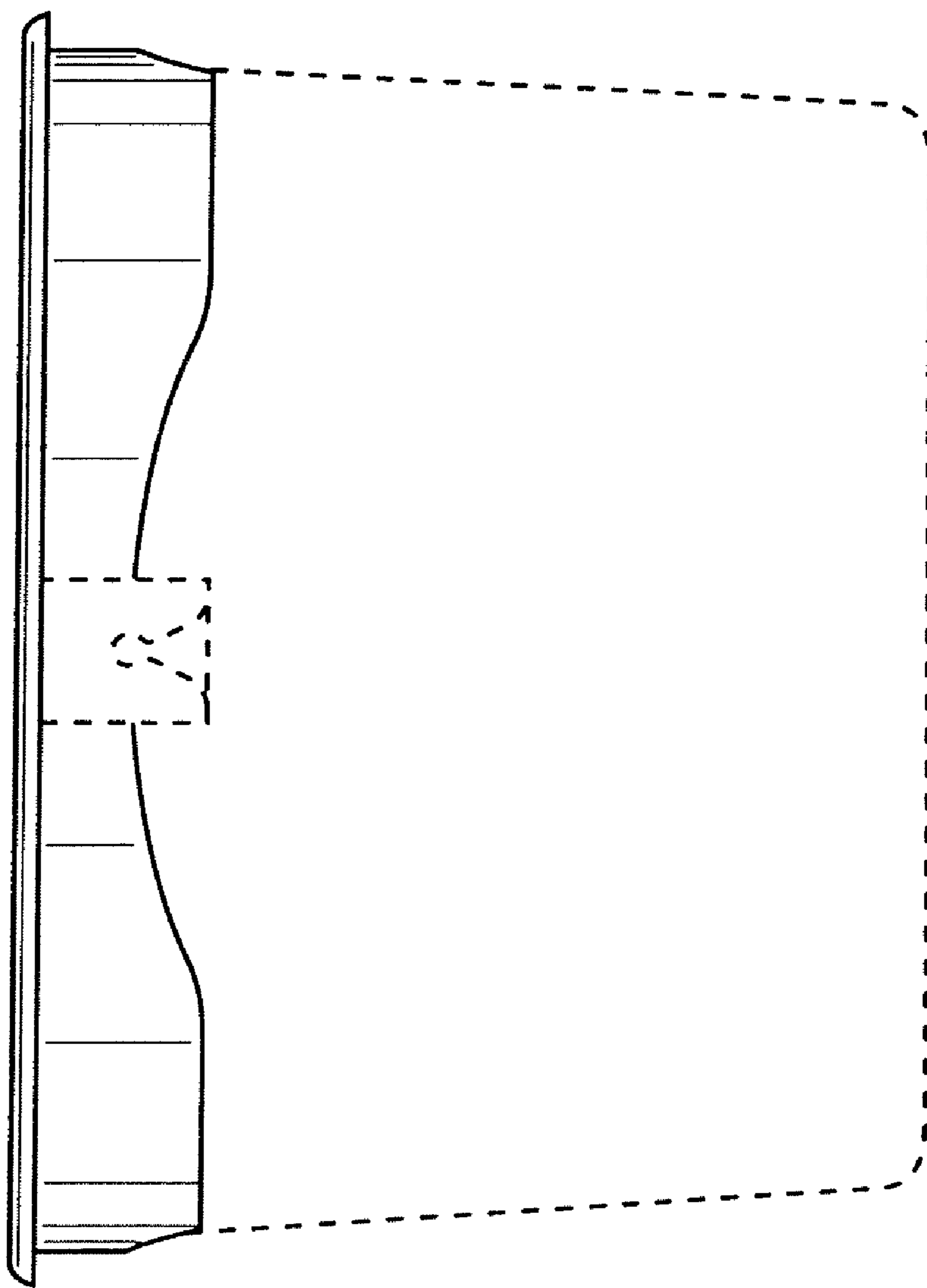


FIG. 3

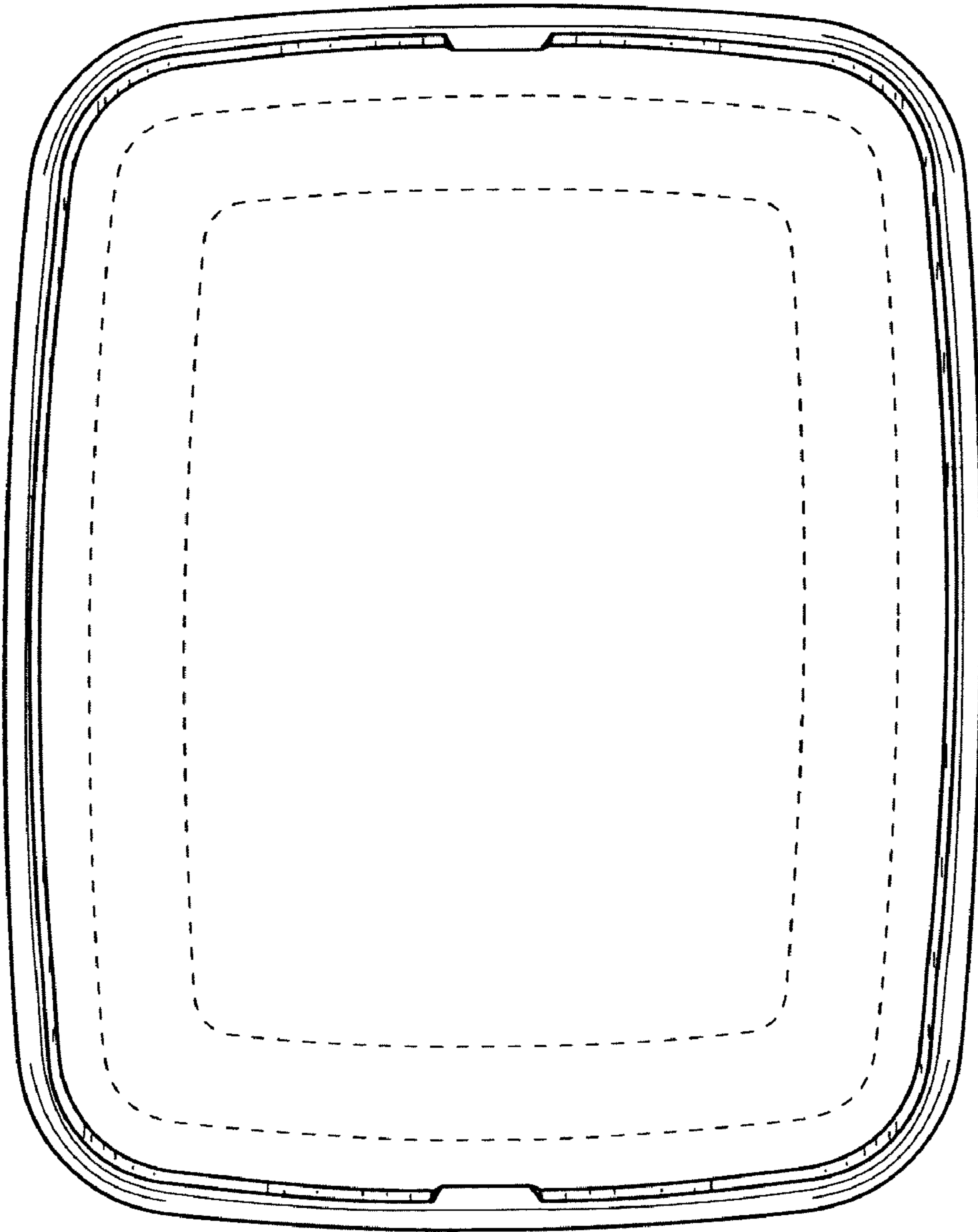


FIG. 4

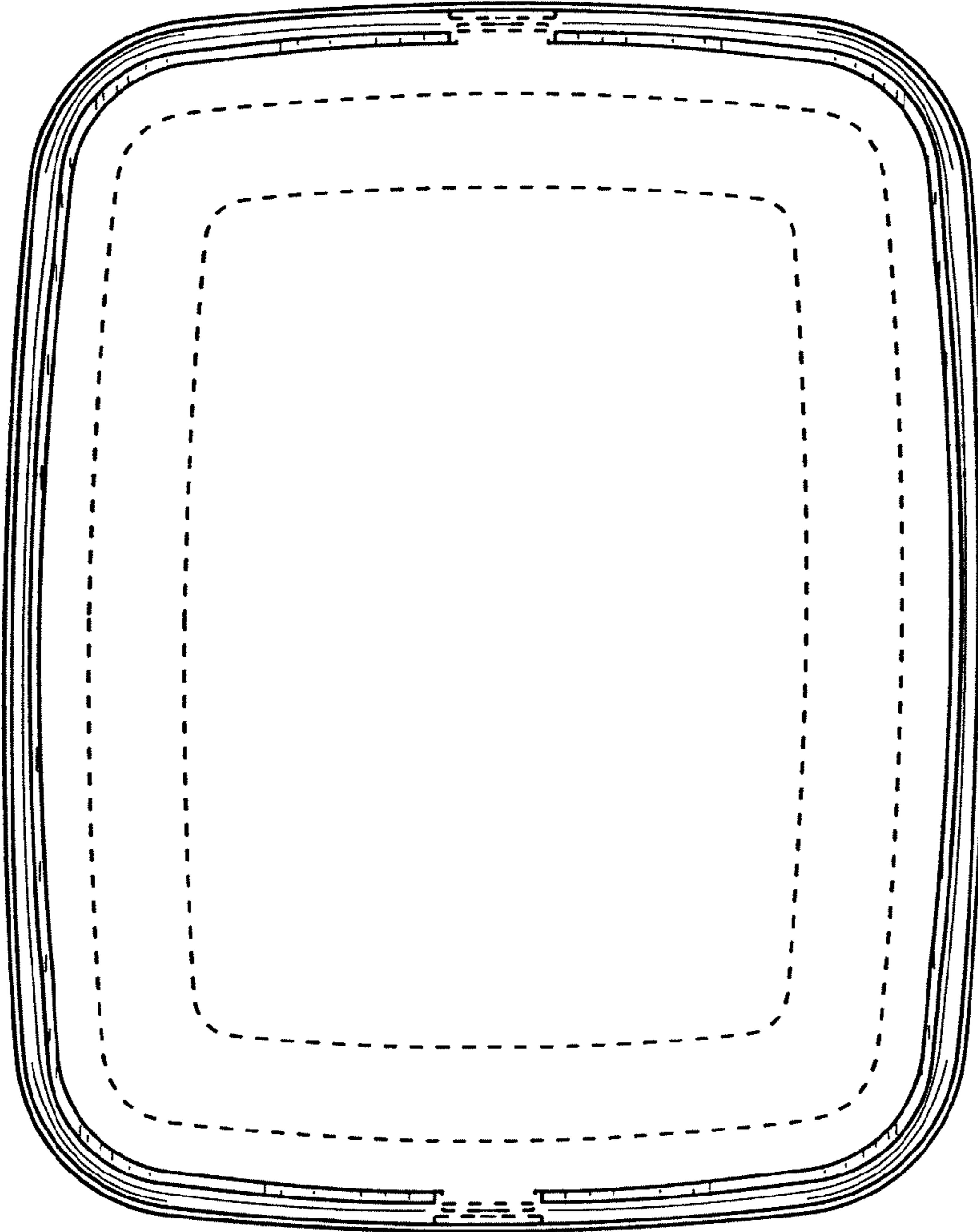


FIG. 5