



US00D656814S

(12) **United States Design Patent**
Bauer et al.

(10) **Patent No.:** **US D656,814 S**
(45) **Date of Patent:** **** Apr. 3, 2012**

(54) **HINGED CUPLOCK SCAFFOLDING COUPLER**

(76) Inventors: **Ryan E. Bauer**, Terre Haute, IN (US);
Herbert H. Wheeler, Terre Haute, IN (US);
Leroy E. Kelsheimer, Blanford, IN (US)

(**) Term: **14 Years**

(21) Appl. No.: **29/372,257**

(22) Filed: **Nov. 1, 2010**

(51) **LOC (9) Cl.** **08-08**

(52) **U.S. Cl.** **D8/382**

(58) **Field of Classification Search** D8/349,
D8/382; D25/133; 256/65.01, 65.03, 65.07,
256/65; 403/385, 391, 3, 400; 248/62-65,
248/74.1

See application file for complete search history.

(56) **References Cited**

U.S. PATENT DOCUMENTS

2,024,527	A	12/1935	Kaplan	
2,511,035	A *	6/1950	Barton	403/385
3,512,814	A *	5/1970	Jack	403/391
3,554,583	A	1/1971	Lowe	
3,810,704	A	5/1974	Lowe	
4,077,730	A	3/1978	Zaidan	

4,248,544	A	2/1981	McKane	
4,355,922	A *	10/1982	Sato	403/385
4,369,859	A	1/1983	Smits	
4,408,922	A	10/1983	D'Alessio	
5,056,954	A	10/1991	Flux et al.	
5,259,690	A	11/1993	Legge	
6,168,345	B1	1/2001	Legge	
D482,956	S *	12/2003	Pyron	D8/382
D488,714	S *	4/2004	Schengrund et al.	D8/382

* cited by examiner

Primary Examiner — Cynthia M Chin

Assistant Examiner — Sheryl Lane

(74) *Attorney, Agent, or Firm* — Richard L. Miller

(57) **CLAIM**

The ornamental design for a hinged cuplock scaffolding coupler, as shown and described.

DESCRIPTION

FIG. 1 is a perspective view of a hinged cuplock scaffolding coupler, in a closed state showing our new design;

FIG. 2 is a front view thereof;

FIG. 3 is a right side view thereof;

FIG. 4 is a rear view thereof;

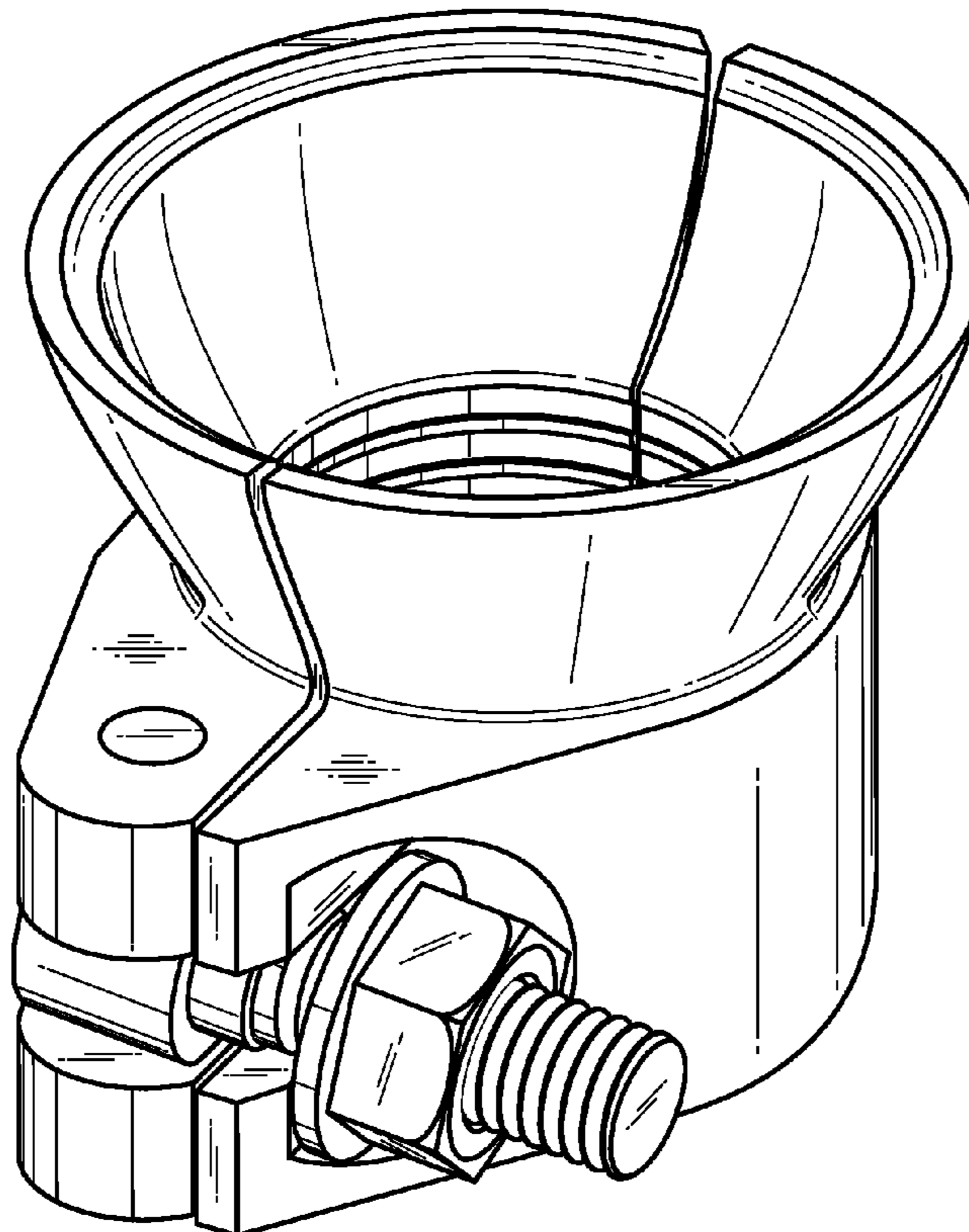
FIG. 5 is a left side view thereof;

FIG. 6 is a top view thereof;

FIG. 7 is a bottom view thereof; and,

FIG. 8 is a perspective view of a hinged cuplock scaffolding coupler, in an open state.

1 Claim, 5 Drawing Sheets



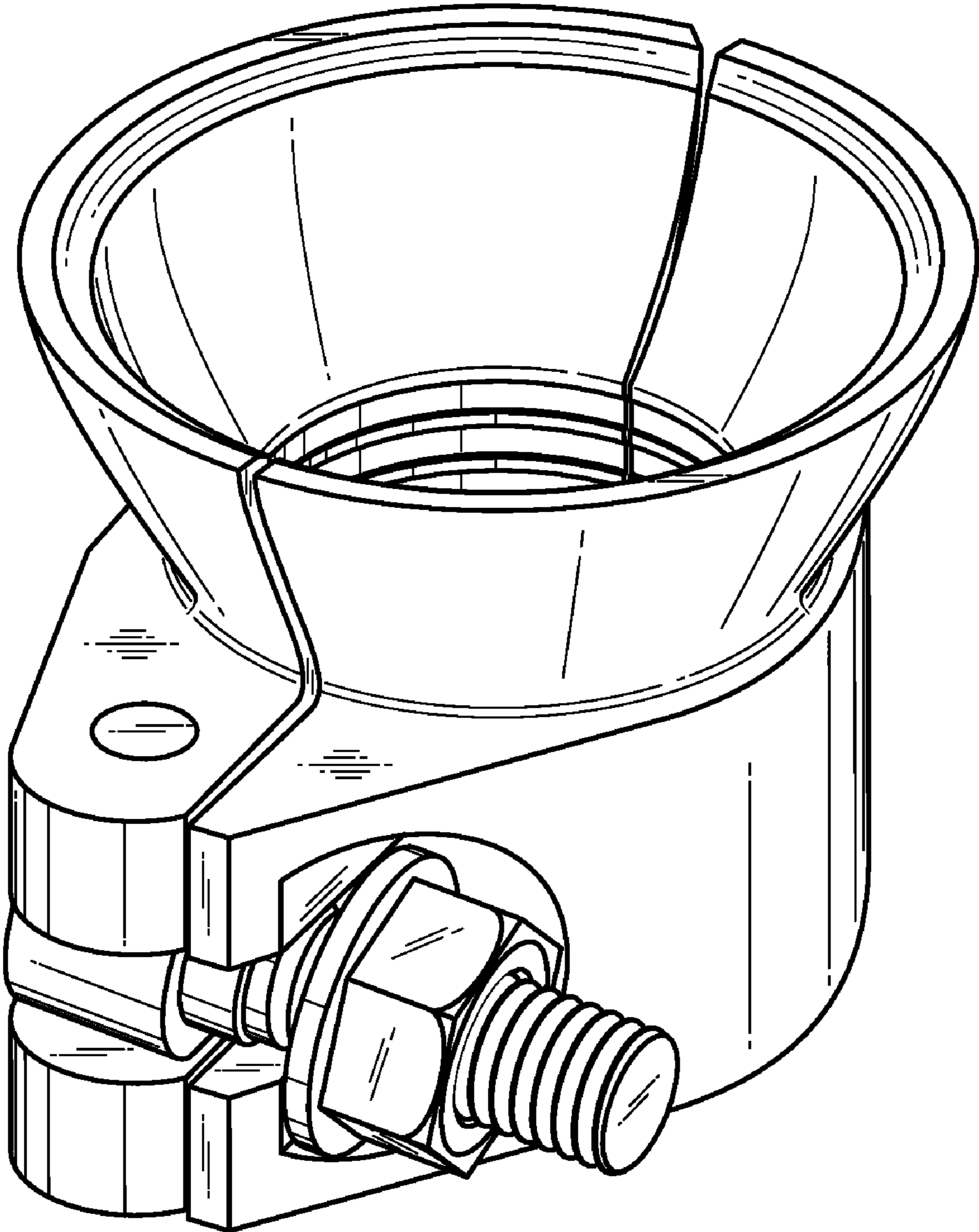


FIG. 1

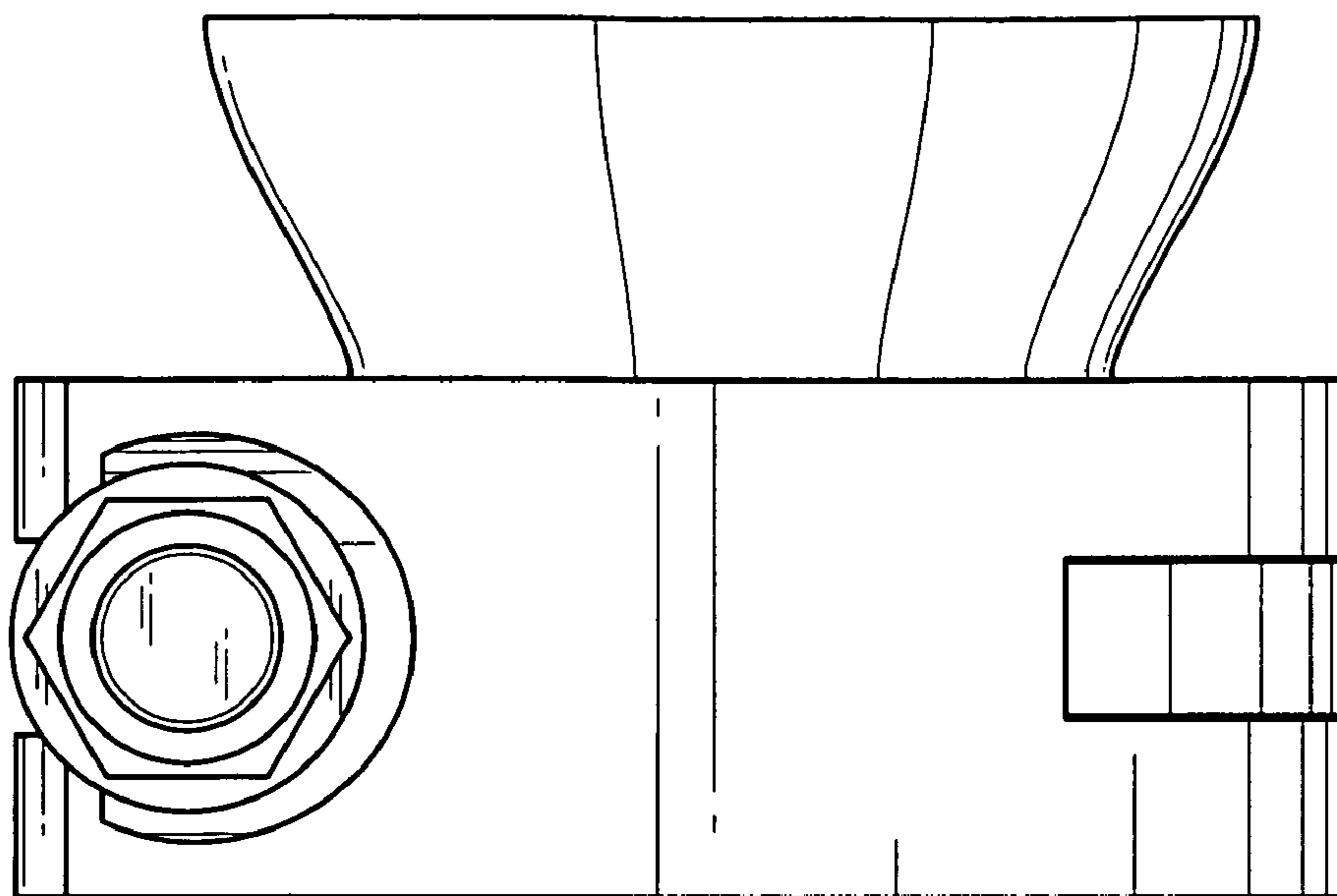


FIG. 2

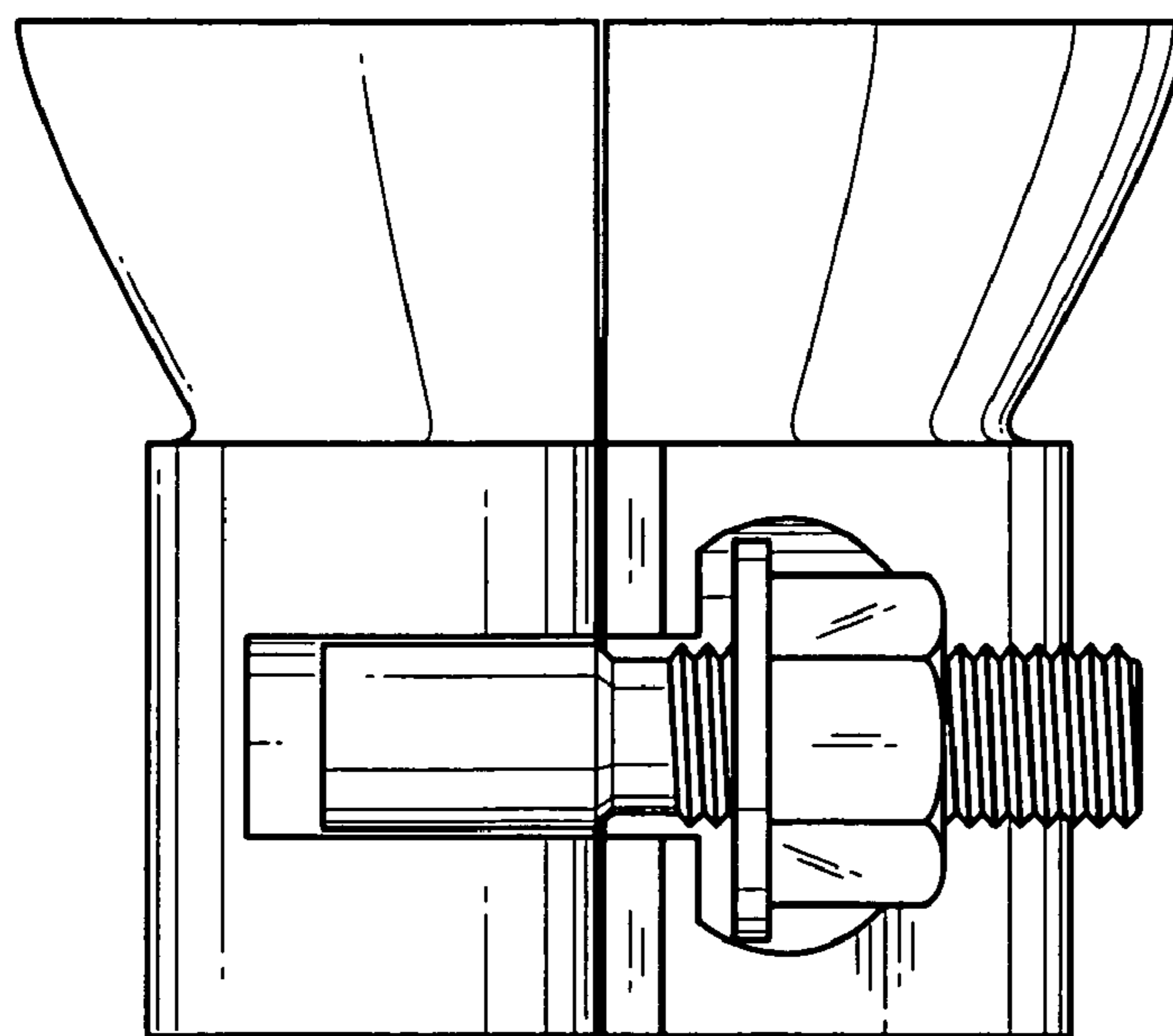


FIG. 3

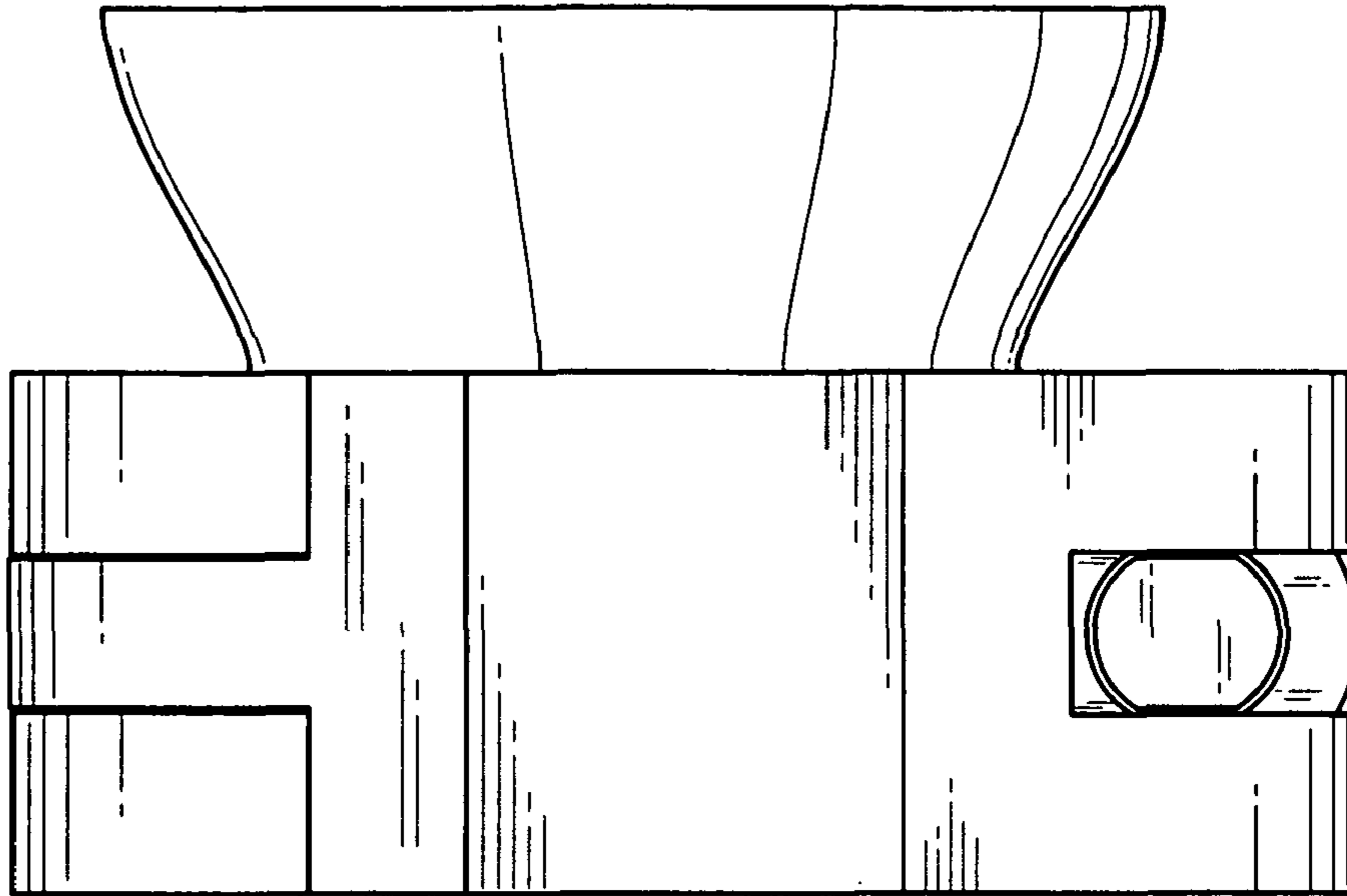


FIG. 4

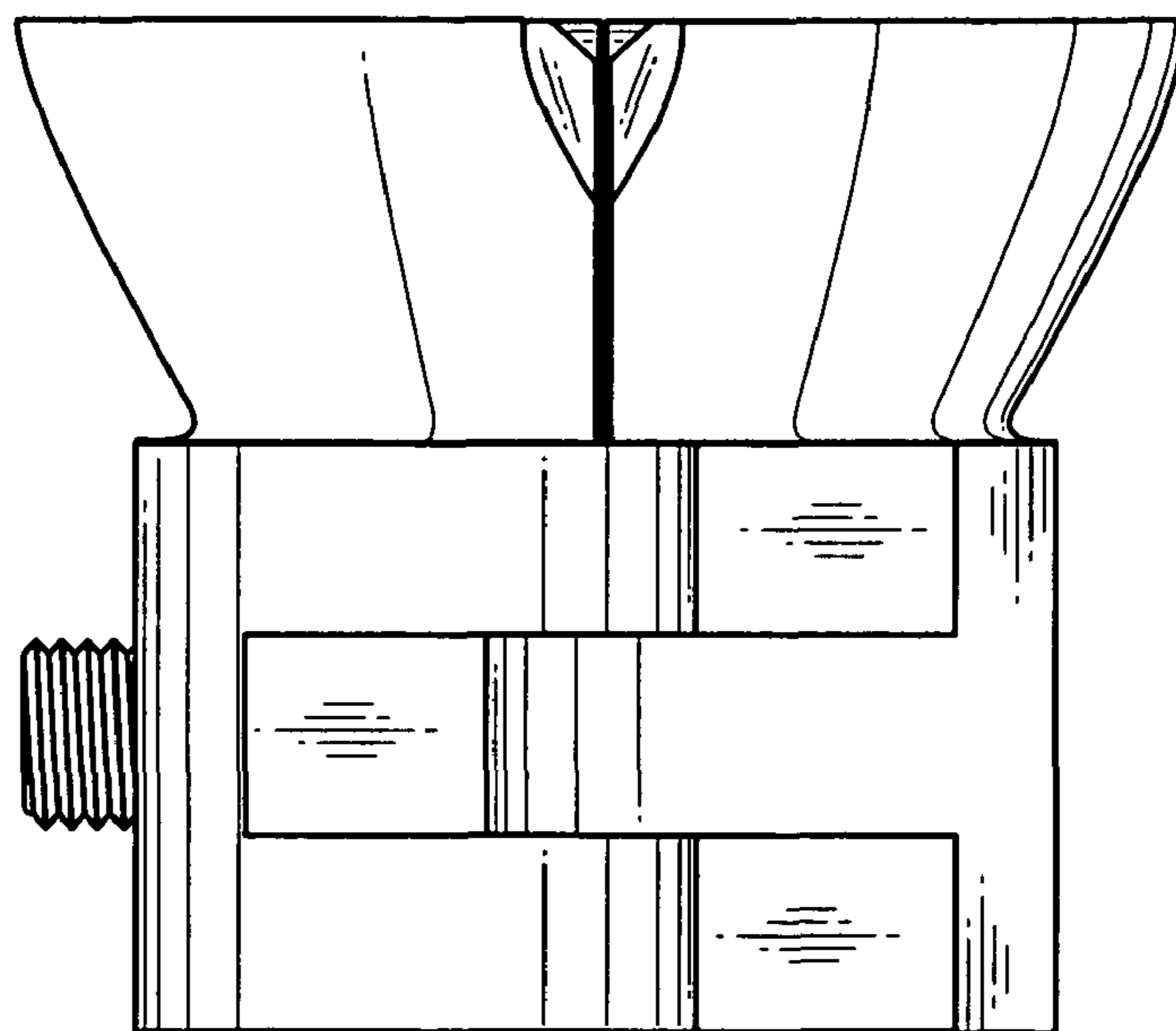


FIG. 5

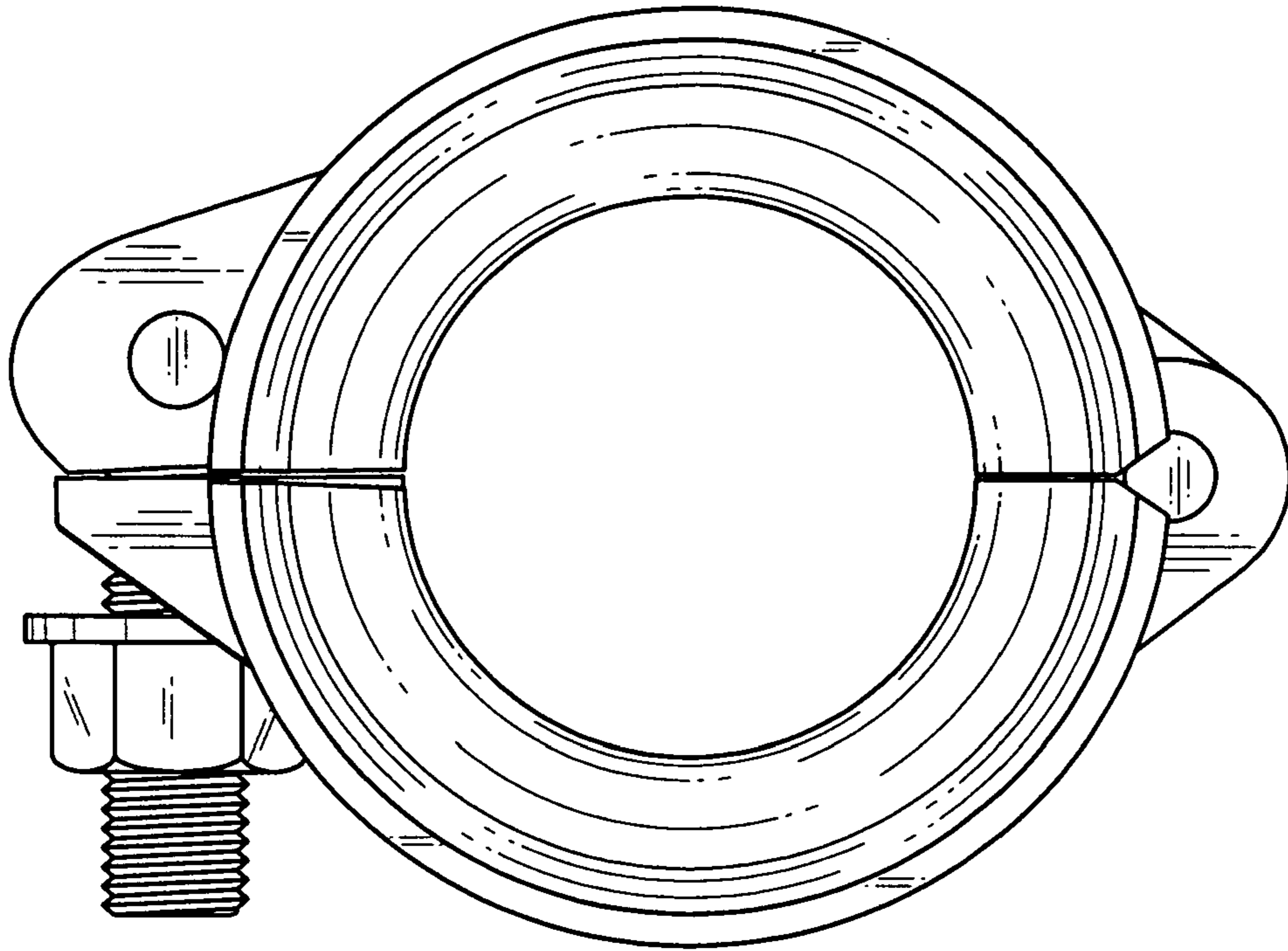


FIG. 6

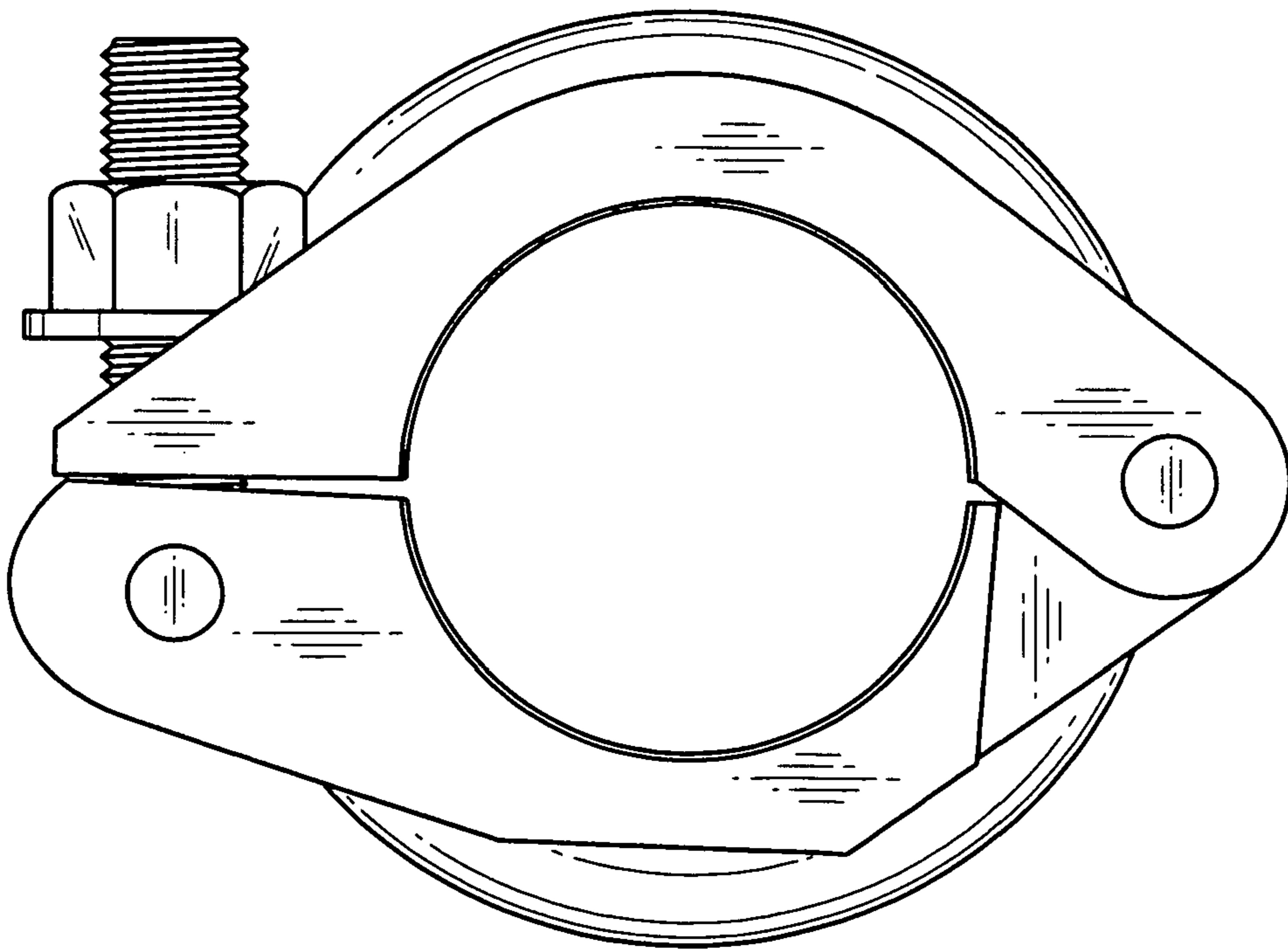


FIG. 7

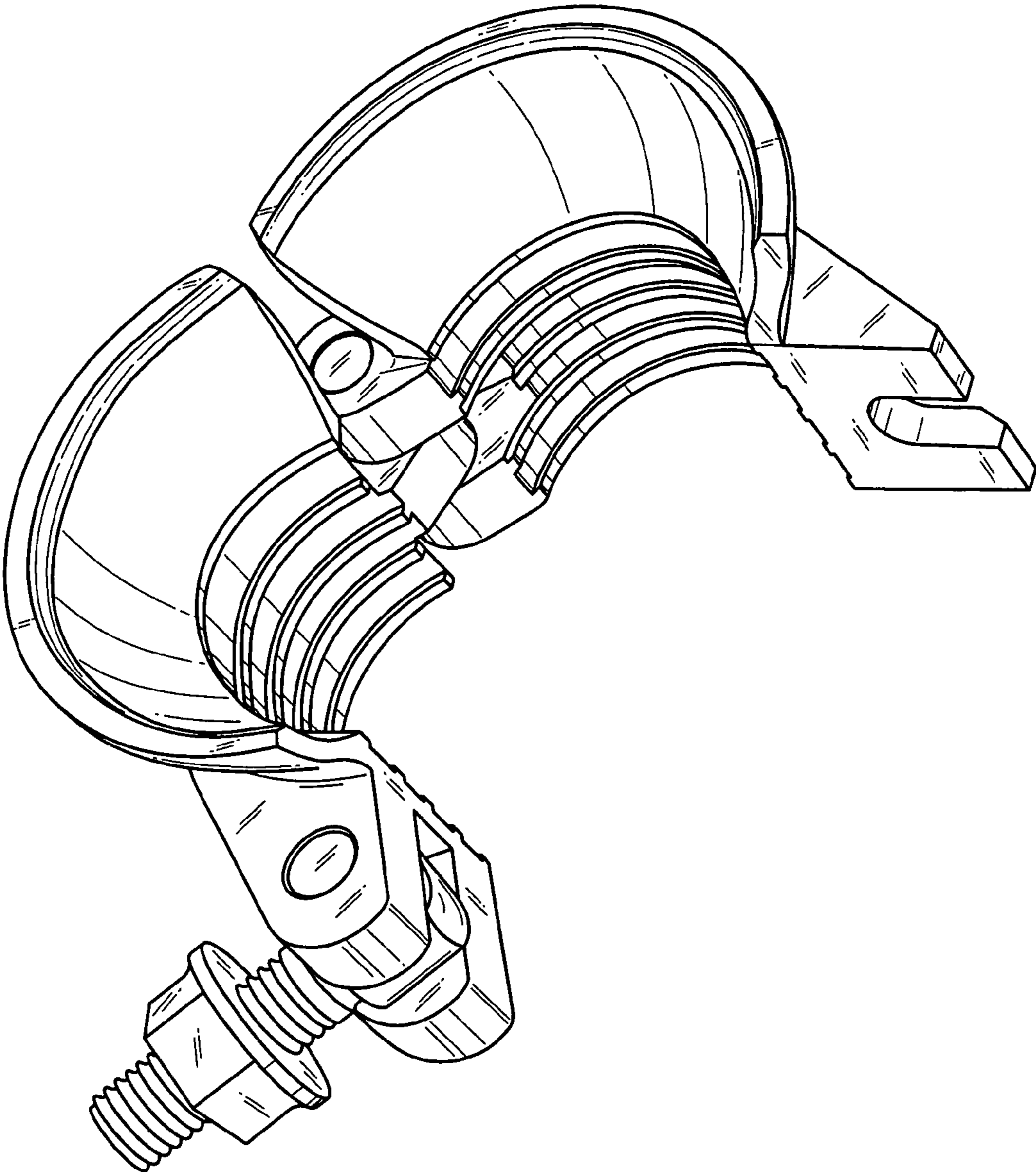


FIG. 8