



US00D656813S

(12) **United States Design Patent**
Dotsey et al.

(10) **Patent No.:** **US D656,813 S**

(45) **Date of Patent:** **** Apr. 3, 2012**

(54) **BOTTOM RAIL BRACKET ASSEMBLY**

(75) Inventors: **Michael A. Dotsey**, Pottstown, PA (US);
Michael Gori, Peckville, PA (US)

(73) Assignee: **AZEK Building Products, Inc.**,
Scranton, PA (US)

(**) Term: **14 Years**

(21) Appl. No.: **29/383,114**

(22) Filed: **Jan. 12, 2011**

(51) **LOC (9) Cl.** **08-05**

(52) **U.S. Cl.** **D8/354**

(58) **Field of Classification Search** D8/354,
D8/380, 349, 382; 248/300, 237, 309.1;
52/188, 182, 191, 702, 712, 745.06, 189,
52/506.5, 586.1; 29/428, 525.01, 464; 249/14,
249/208, 205; 403/169, 167

See application file for complete search history.

(56) **References Cited**

U.S. PATENT DOCUMENTS

| | | | | | | |
|-----------|---|---|---------|----------------|-------|---------|
| D275,553 | S | * | 9/1984 | Emmie et al. | | D8/363 |
| D312,205 | S | * | 11/1990 | de Rooij | | D8/373 |
| D315,289 | S | * | 3/1991 | Rankin | | D8/373 |
| D327,214 | S | * | 6/1992 | Stuart | | D8/373 |
| D327,642 | S | * | 7/1992 | Foubister | | D8/373 |
| D373,074 | S | * | 8/1996 | Miyashita | | D8/382 |
| 6,109,819 | A | * | 8/2000 | Welch | | 403/353 |
| D489,598 | S | * | 5/2004 | Balaban | | D8/354 |
| D492,187 | S | * | 6/2004 | Mottini | | D8/354 |
| D507,959 | S | * | 8/2005 | Mottini | | D8/354 |
| D555,459 | S | * | 11/2007 | Goodwin et al. | | D8/363 |

D569,232 S * 5/2008 Yoshida D8/355
D619,878 S * 7/2010 Sjoqvist D8/354
2007/0120031 A1* 5/2007 Rasmussen 248/266

* cited by examiner

Primary Examiner — Mark Goodwin

(74) *Attorney, Agent, or Firm* — Buchanan Ingersoll &
Rooney PC

(57) **CLAIM**

The ornamental design for a bottom rail bracket assembly, as shown and described.

DESCRIPTION

FIG. 1 is a top perspective view of a bottom rail bracket assembly showing our new design in assembled condition, the assembly being comprised of a bottom rail bracket base and bottom rail bracket flange;

FIG. 2 is a perspective view similar to FIG. 1 showing the bottom rail bracket base, separated from the bottom rail bracket flange and set screw;

FIG. 3 is a front view of the bottom rail bracket base;

FIG. 4 is a left side view of the bottom rail bracket base shown in FIG. 3, the left side being a mirror image thereof;

FIG. 5 is a top view of the bottom rail bracket base;

FIG. 6 is a bottom view of the bottom rail bracket base;

FIG. 7 is a rear view of the bottom rail bracket base;

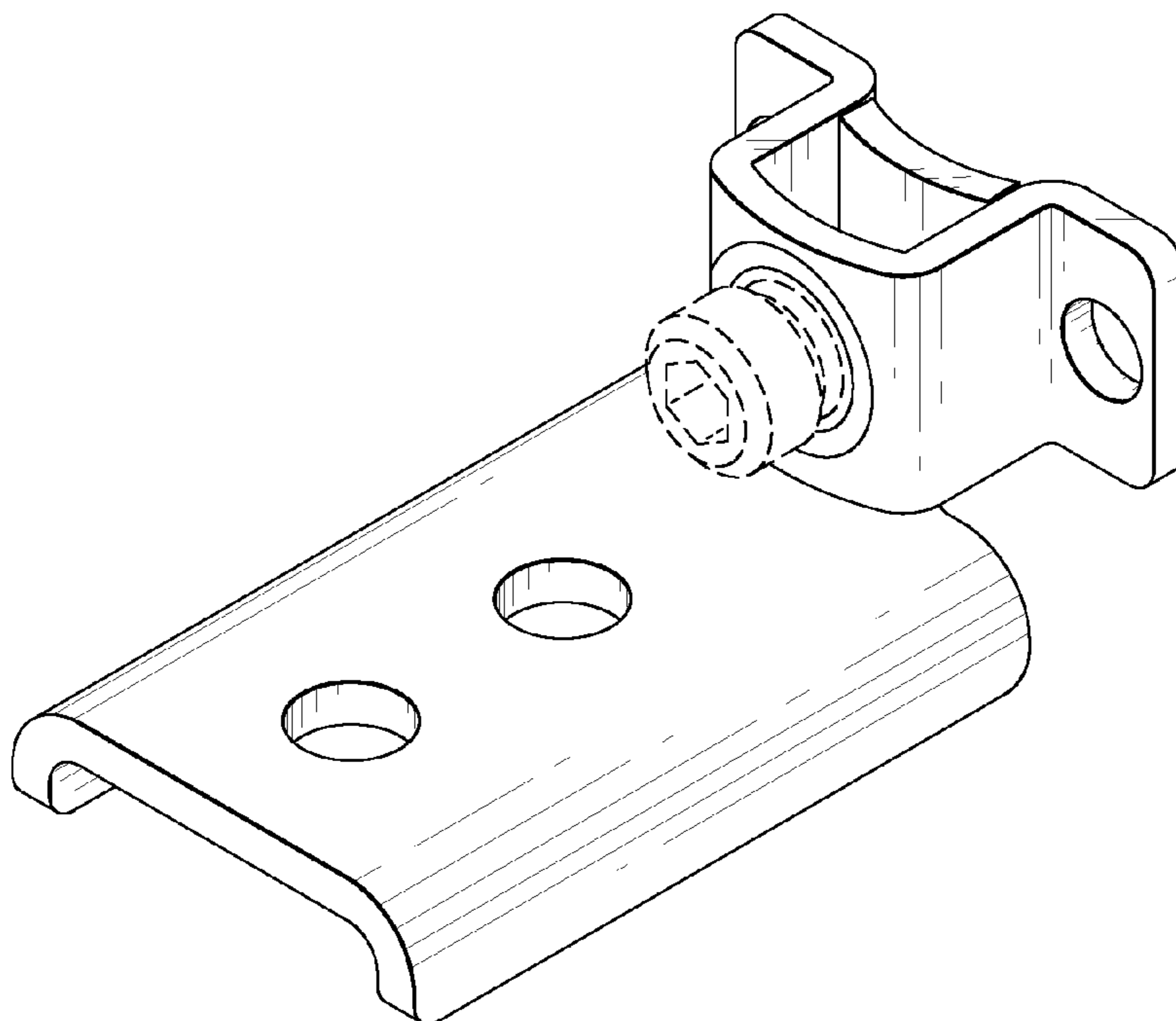
FIG. 8 is a top view of the bottom rail bracket flange, the bottom view being a mirror image thereof;

FIG. 9 is a front view of the bottom rail bracket flange; and,

FIG. 10 is a rear view of the bottom rail bracket flange.

The set screw is shown in dotted line in FIGS. 1 and 2 and forms no part of the claimed design.

1 Claim, 4 Drawing Sheets



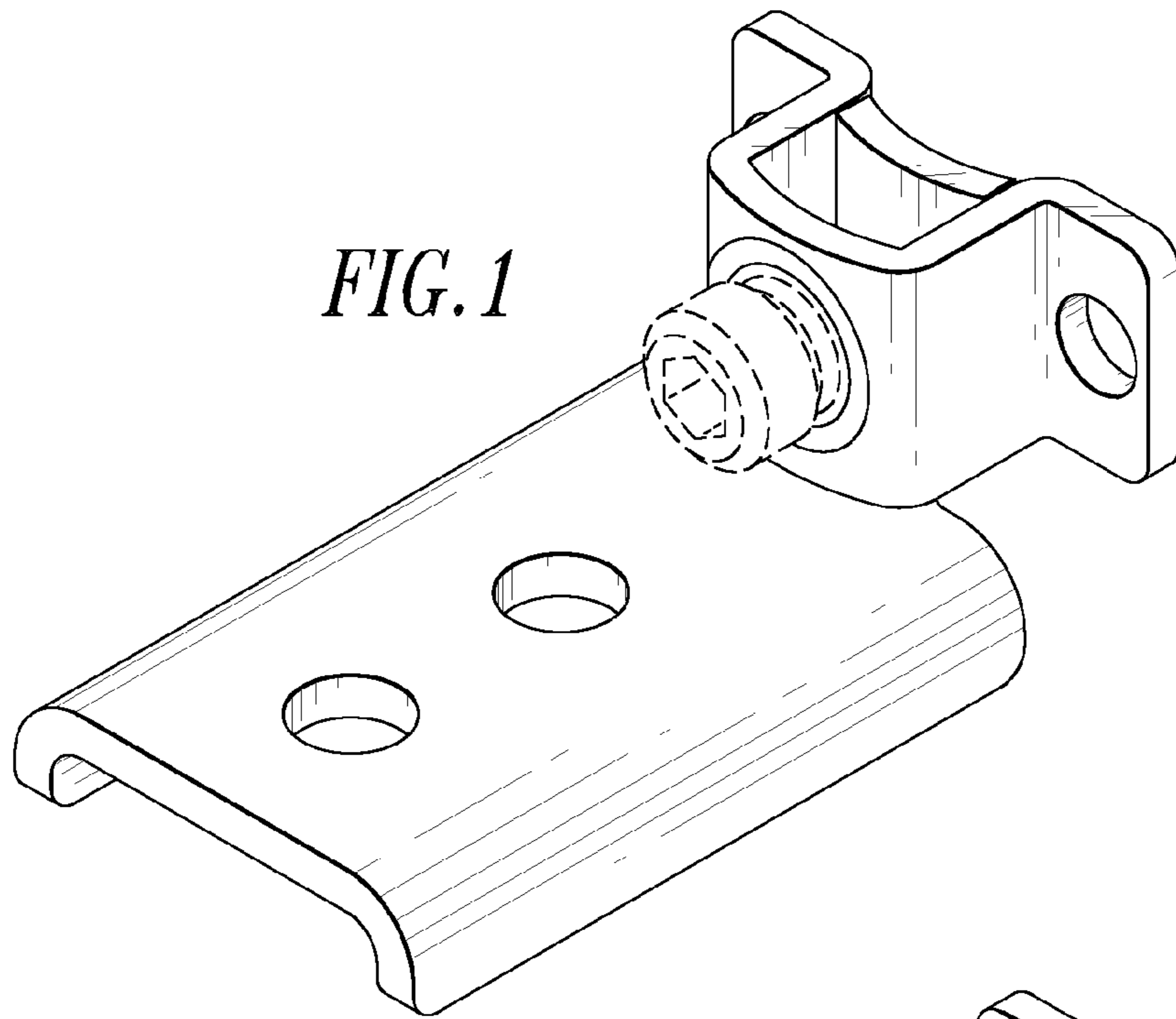


FIG. 1

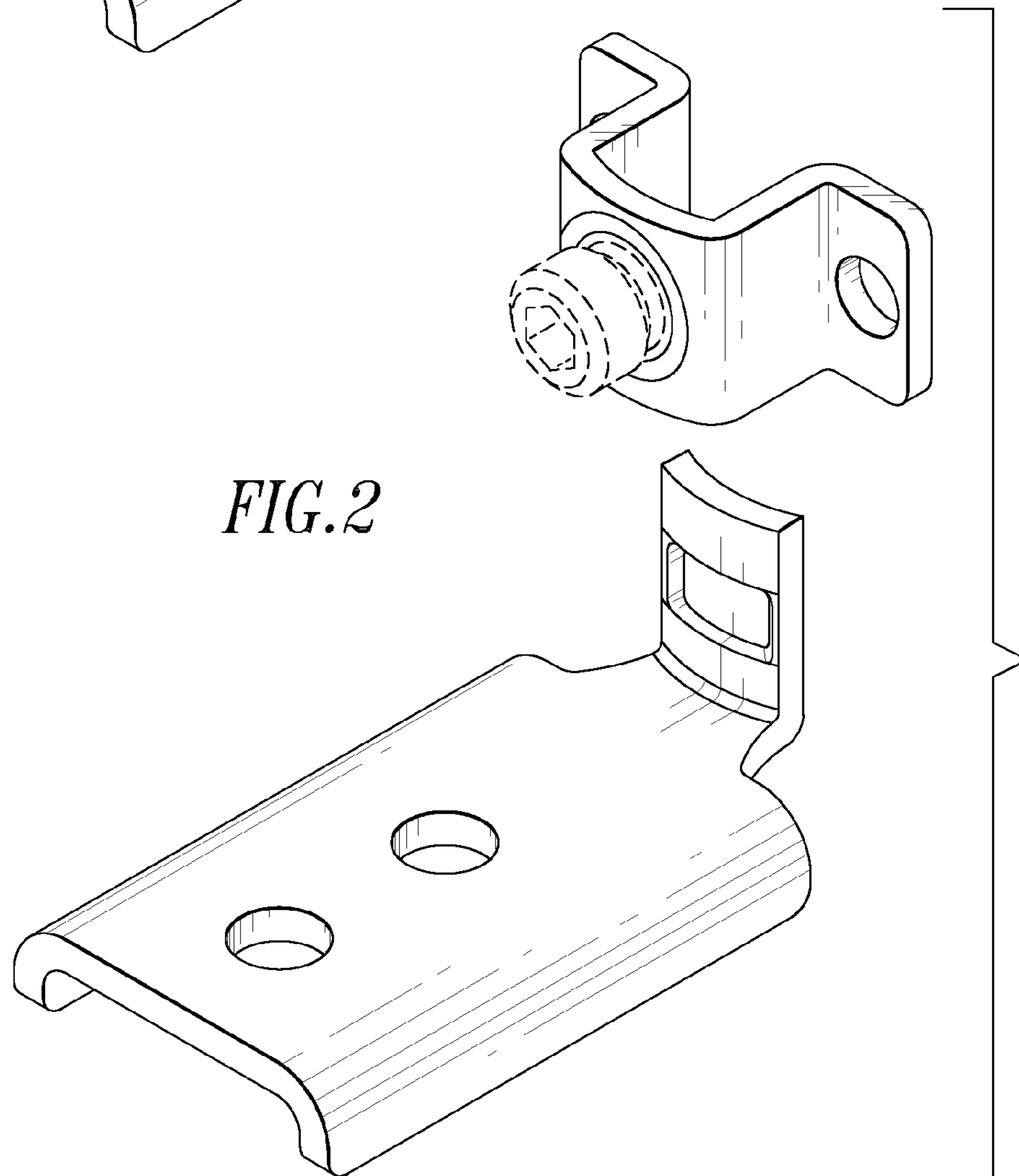


FIG. 2

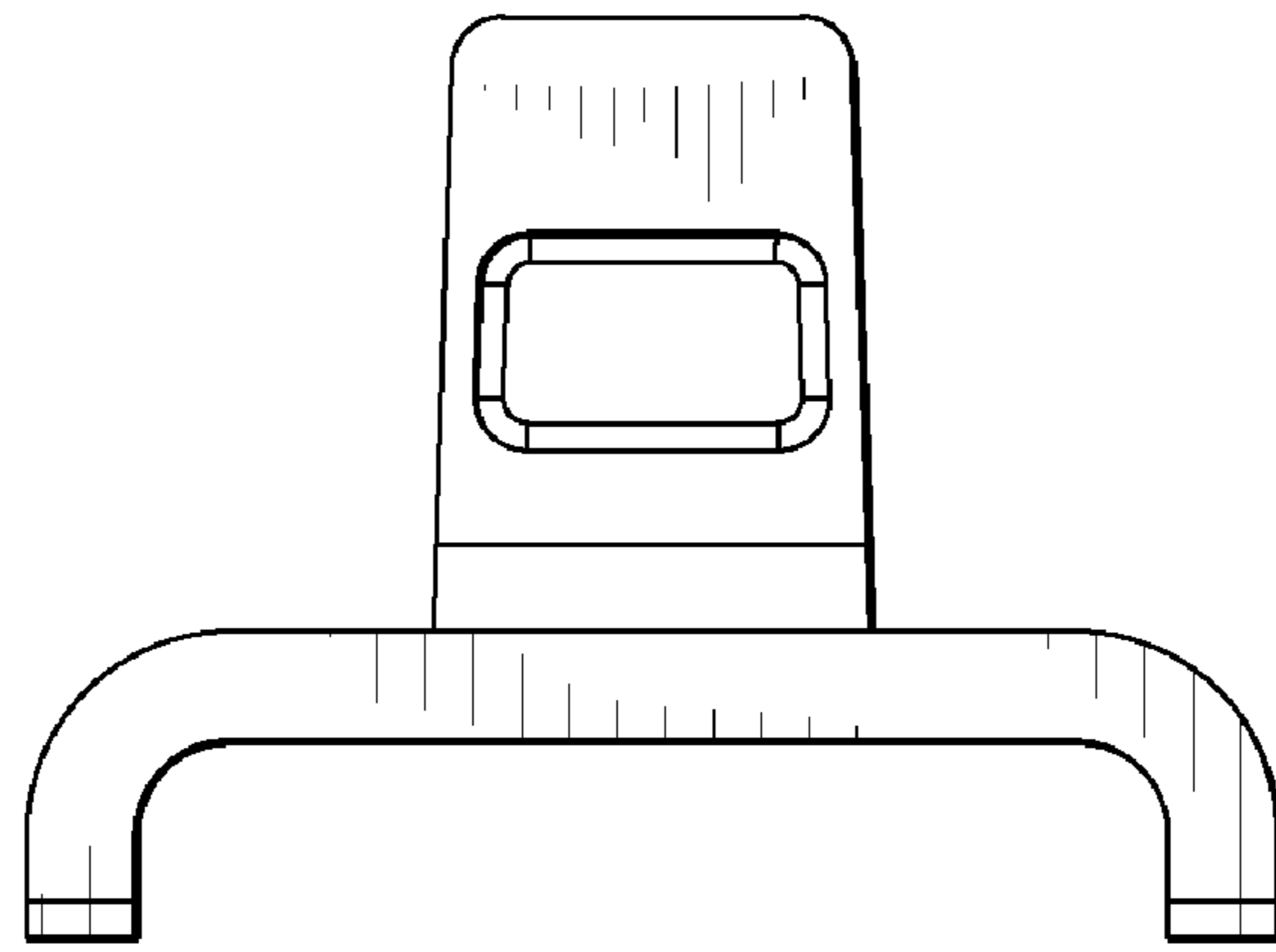


FIG. 3



FIG. 4

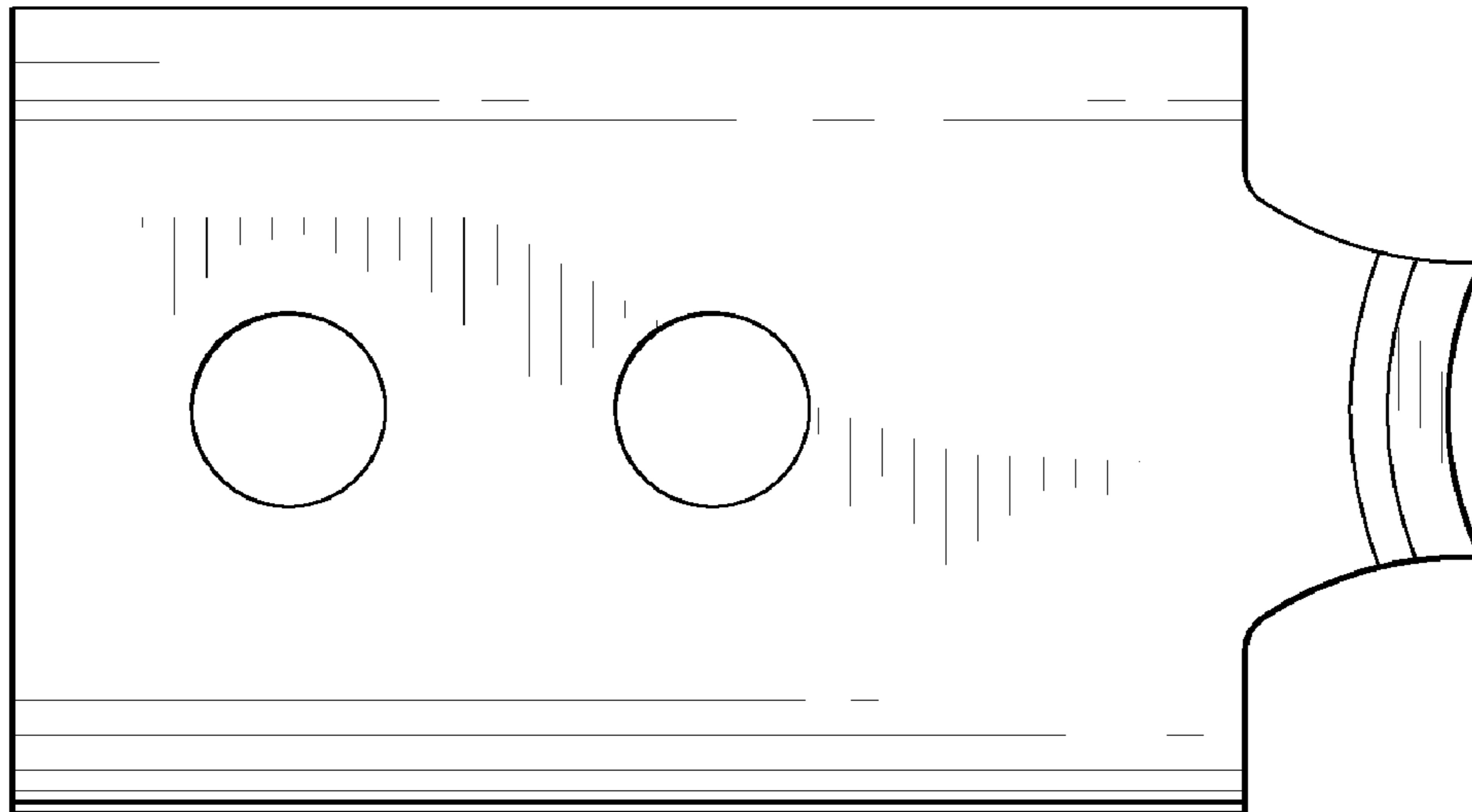


FIG. 5

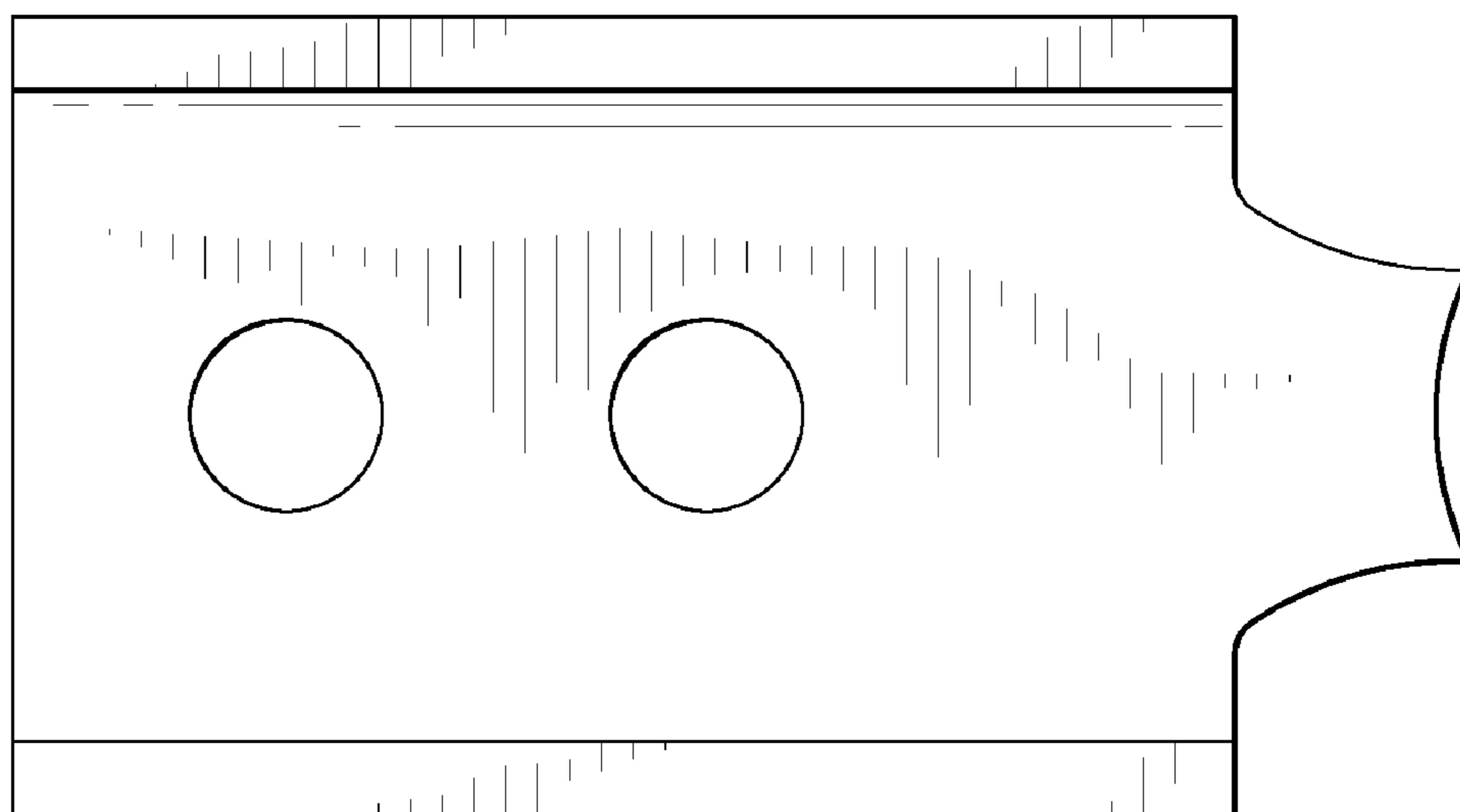


FIG. 6

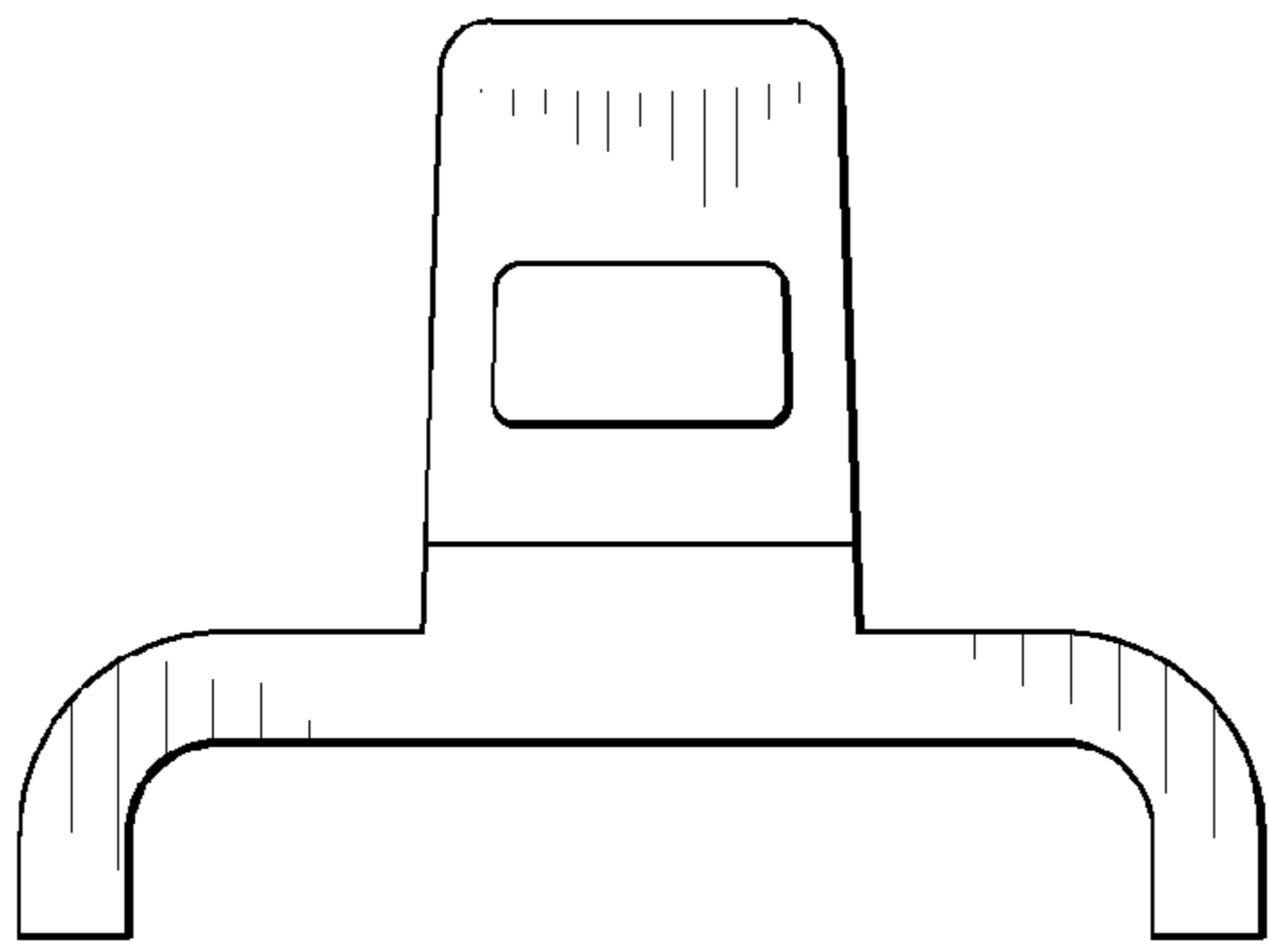


FIG. 7

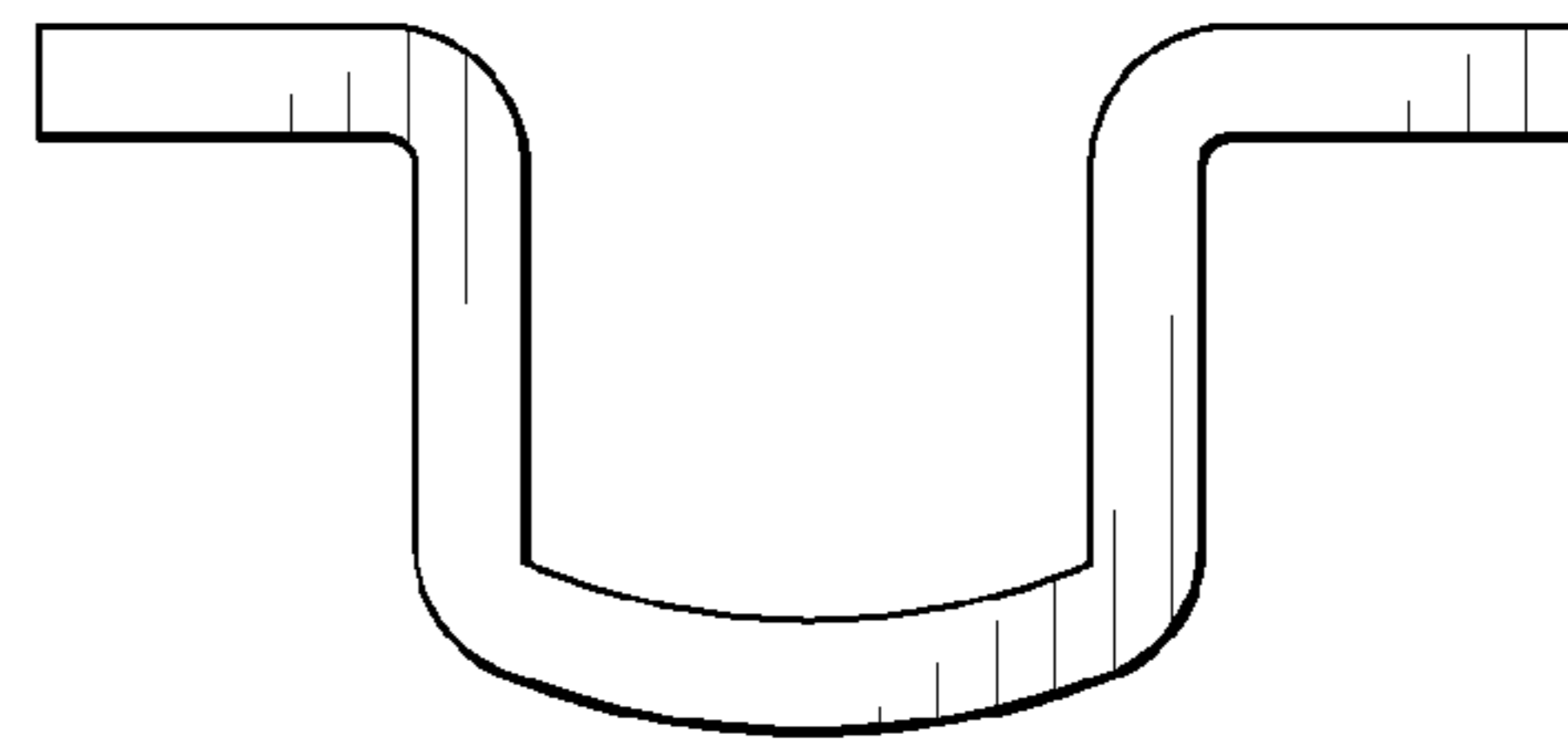


FIG. 8

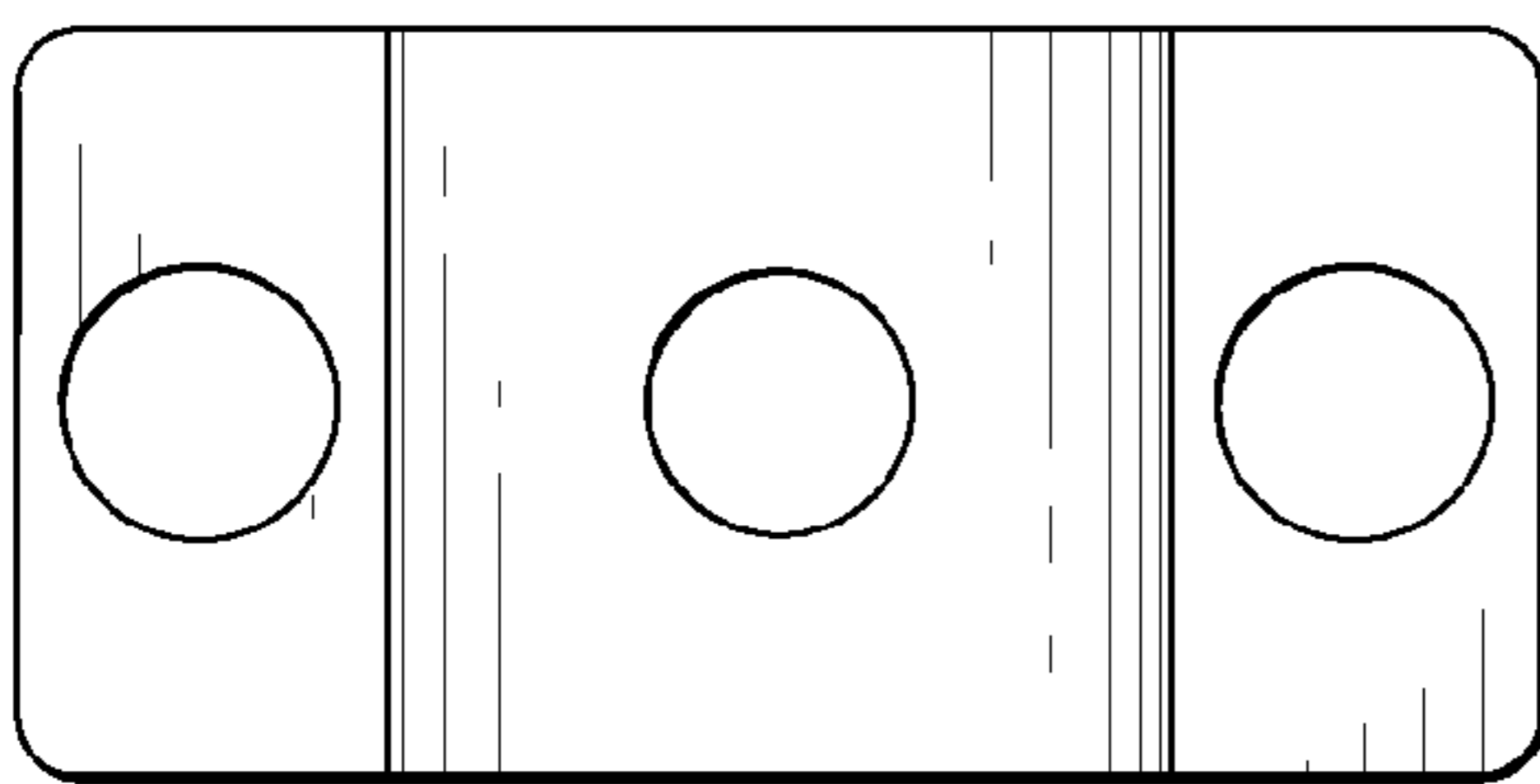


FIG. 9

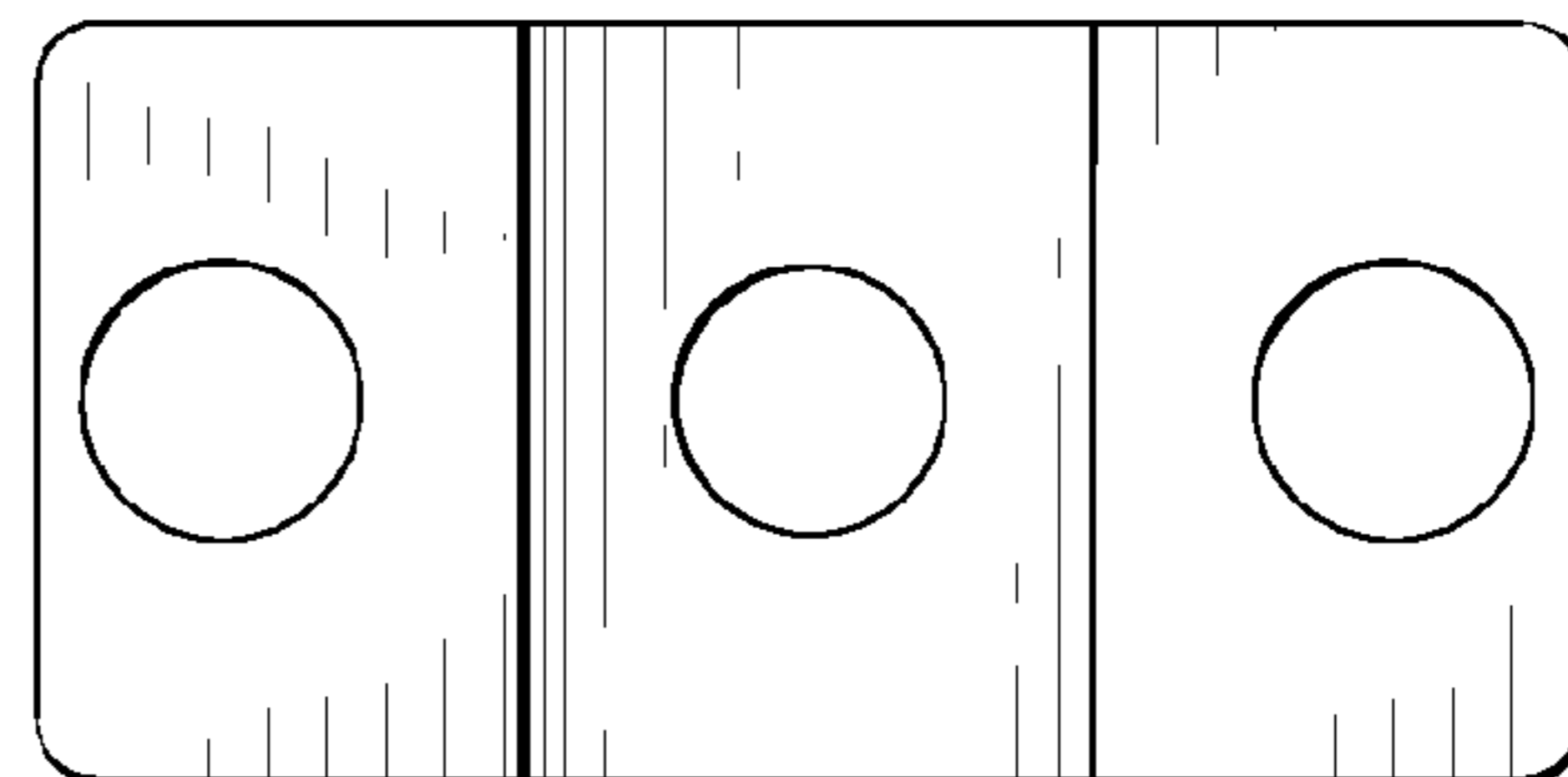


FIG. 10