



US00D656811S

(12) **United States Design Patent**
Giordano

(10) **Patent No.:** **US D656,811 S**
(45) **Date of Patent:** **** Apr. 3, 2012**

(54) **ACCESSORY MOUNTING ANCHOR ASSEMBLY**

(76) Inventor: **Michael A. Giordano**, Rohnert Park, CA (US)

(**) Term: **14 Years**

(21) Appl. No.: **29/369,247**

(22) Filed: **Sep. 3, 2010**

(51) **LOC (9) Cl.** **08-05**

(52) **U.S. Cl.** **D8/349; D8/354; D8/373**

(58) **Field of Classification Search** D8/349, D8/354, 355, 356, 363, 367, 368, 372, 373, D8/380-383, 394, 395, 396; D10/74, 103, D10/121; 248/475.1, 73; 359/871, 872; D12/223, 190, 191, 400, 415, 187
See application file for complete search history.

(56) **References Cited**

U.S. PATENT DOCUMENTS

3,807,675	A *	4/1974	Seckerson et al.	248/73
D231,599	S *	5/1974	Rumble	D8/394
D235,731	S *	7/1975	Hubuda, Sr.	D8/394
4,039,131	A *	8/1977	Perrault et al.	248/73
D250,089	S *	10/1978	Legerius	D8/396
D257,810	S *	1/1981	Wilson	D6/556
4,736,878	A *	4/1988	Rasor	224/321
D299,118	S *	12/1988	Yusa	D10/103
5,037,051	A *	8/1991	Moriello	248/215
D327,214	S *	6/1992	Stuart	D8/373
D345,121	S *	3/1994	Baumann	D12/97
5,332,183	A *	7/1994	Kagayama	248/222.13
D357,400	S *	4/1995	Sachs	D8/356
5,523,883	A *	6/1996	Myers et al.	359/629

(Continued)

Primary Examiner — Jeffrey D Asch

(74) *Attorney, Agent, or Firm* — Bay Area Technology Law Group PC

(57) **CLAIM**

The ornamental design for an accessory mounting anchor assembly, as shown and described.

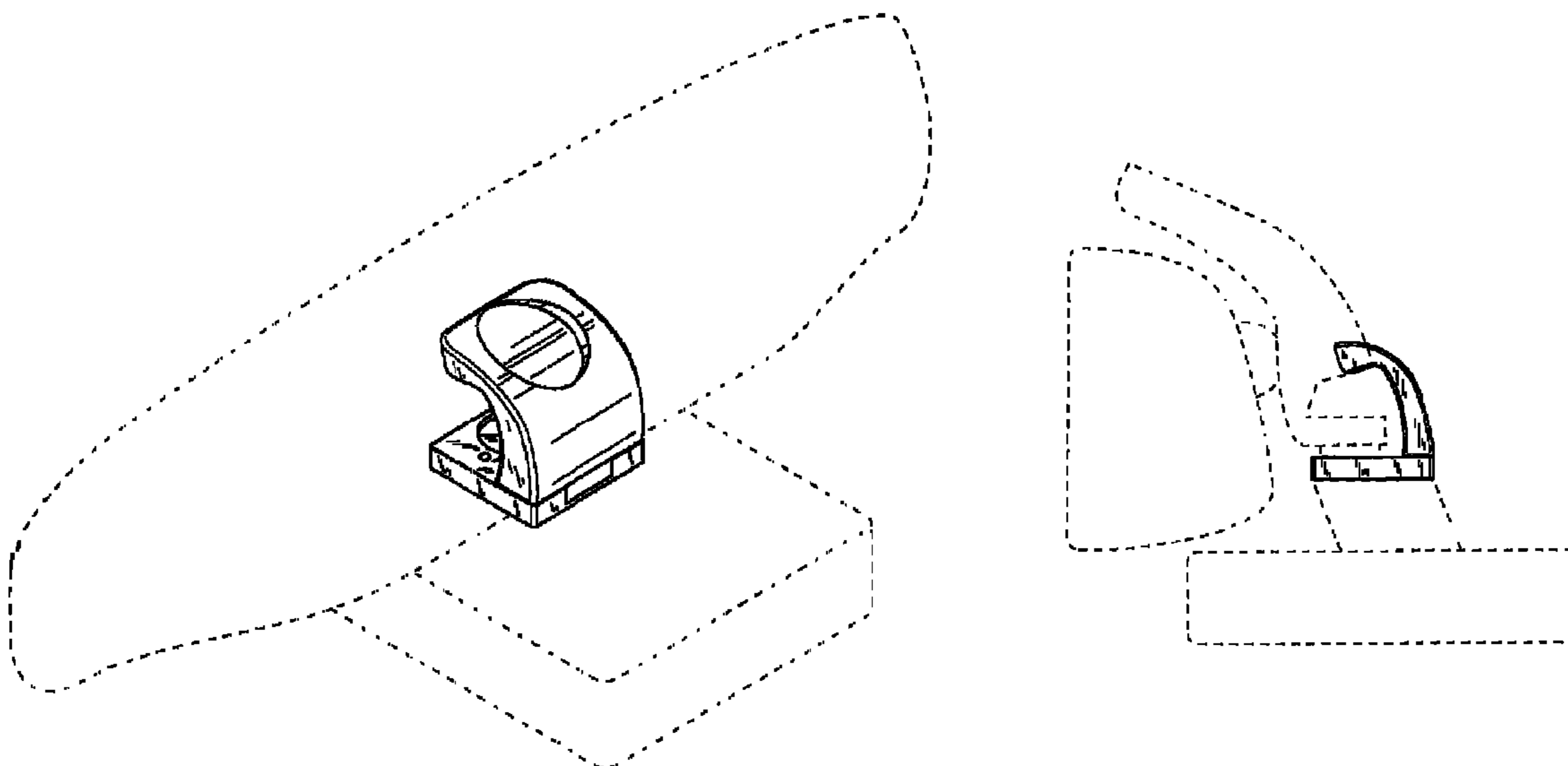
DESCRIPTION

FIG. 1 is a perspective view of the hook portion of the anchor assembly of the present invention;
FIG. 2 is a top plan view of FIG. 1;
FIG. 3 is a bottom plan view of FIG. 1;
FIG. 4 is a rear view of FIG. 1;
FIG. 5 is a front view of FIG. 1;
FIG. 6 is a right side view of FIG. 1;
FIG. 7 is a left side view of FIG. 1;
FIG. 8 is a perspective view of the base portion of the anchor assembly of the present invention;
FIG. 9 is a top plan view of FIG. 8;
FIG. 10 is a bottom plan view of FIG. 8;
FIG. 11 is a rear view of FIG. 8;
FIG. 12 is a front view of FIG. 8;
FIG. 13 is a left side view of FIG. 8;
FIG. 14 is a right side view of FIG. 8;
FIG. 15 is a perspective view of the present anchor assembly with mirror and radar detector;
FIG. 16 is a rear view of FIG. 15;
FIG. 17 is a front view of FIG. 15;
FIG. 18 is a right side view of FIG. 15;
FIG. 19 is a left side view of FIG. 15;
FIG. 20 is a top plan view of FIG. 15; and,
FIG. 21 is a bottom plan view of FIG. 15.

The hook and the base portions which make up the complete accessory mounting anchor assembly of the claimed design have been shown separate in FIGS. 1-14 for convenience and clarity of illustration.

The broken lines showing the mirror and radar detector in FIGS. 15-21 are for illustrative purposes only and form no part of the claimed design.

1 Claim, 6 Drawing Sheets



US D656,811 S

Page 2

U.S. PATENT DOCUMENTS

5,730,343	A *	3/1998	Settelmayer	224/321	7,032,866	B1 *	4/2006	Braun et al.	248/68.1
5,904,325	A *	5/1999	Hung	248/74.4	D538,137	S *	3/2007	Dukes	D8/356
D411,096	S *	6/1999	Gordin et al.	D8/349	D557,124	S *	12/2007	Martinez et al.	D8/380
D420,278	S *	2/2000	Coffey et al.	D8/382	D580,734	S *	11/2008	Martin	D8/307
6,333,759	B1 *	12/2001	Mazzilli	348/148	7,695,148	B1 *	4/2010	Davis	359/871
6,676,267	B2 *	1/2004	Takase	359/872	2004/0099773	A1 *	5/2004	Sono et al.	248/71
6,690,268	B2 *	2/2004	Schofield et al.	340/438	2008/0174892	A1 *	7/2008	Giordano	359/841
D506,863	S *	7/2005	Lee et al.	D3/201	2011/0310504	A1 *	12/2011	Bleier	359/871

* cited by examiner

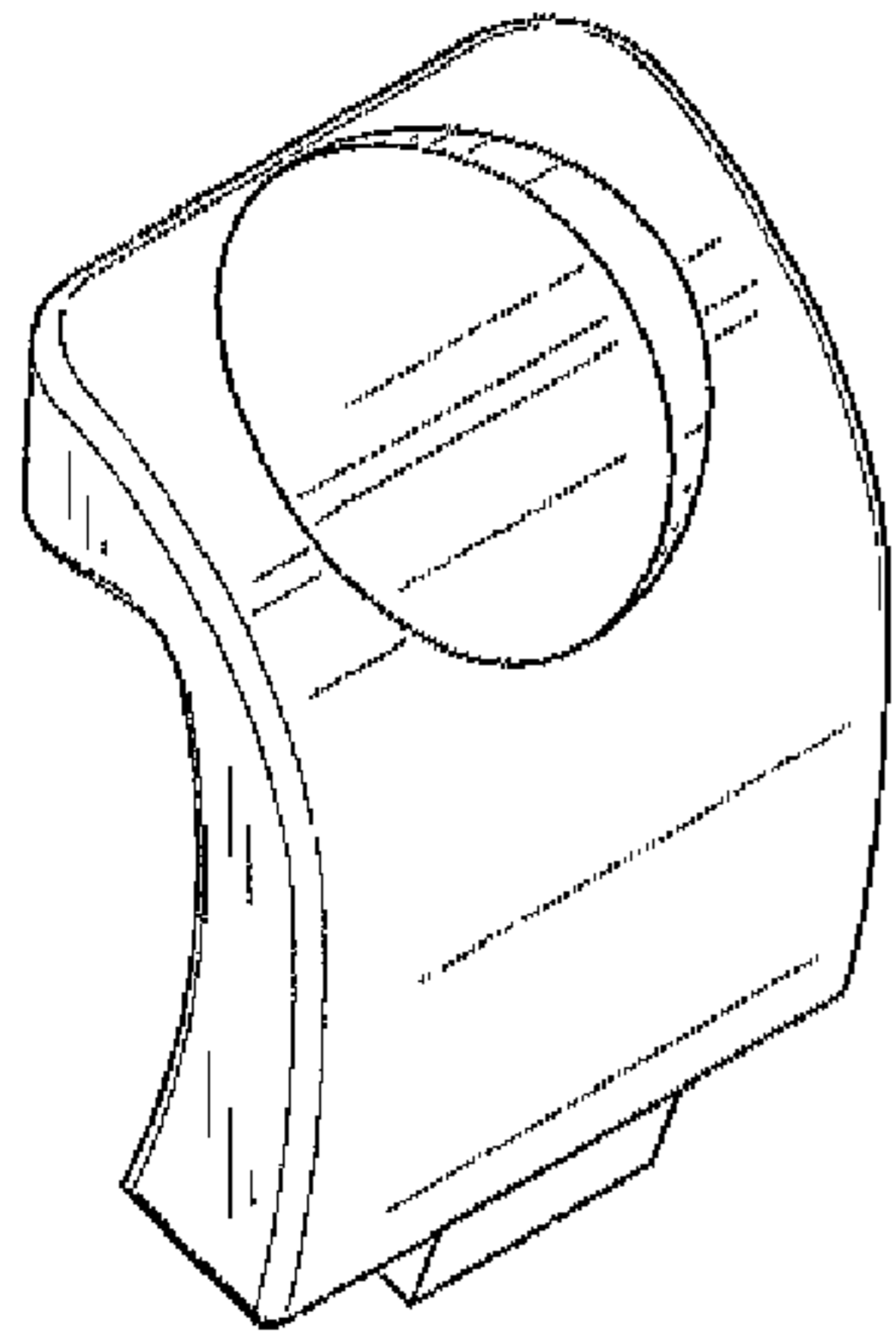


FIG. 1

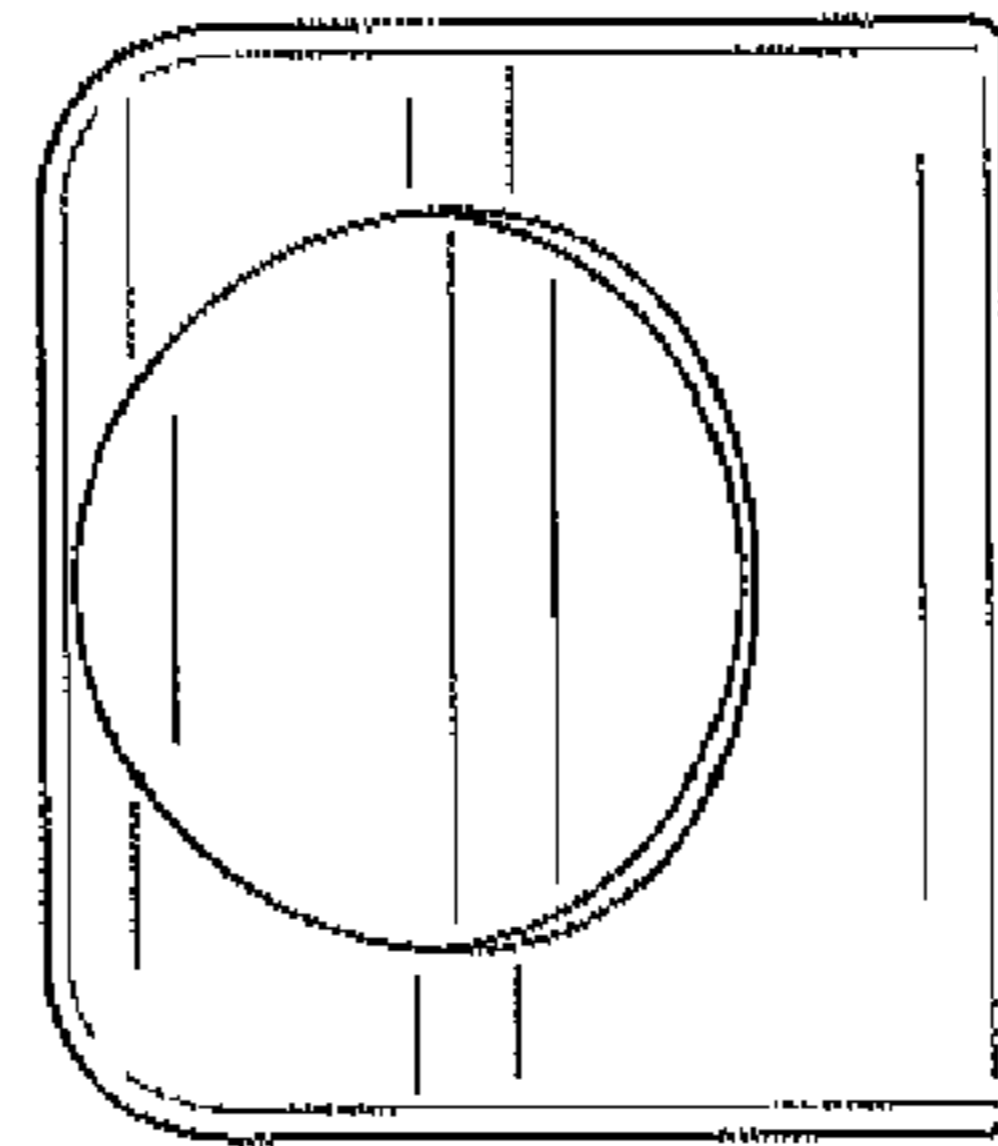


FIG. 2

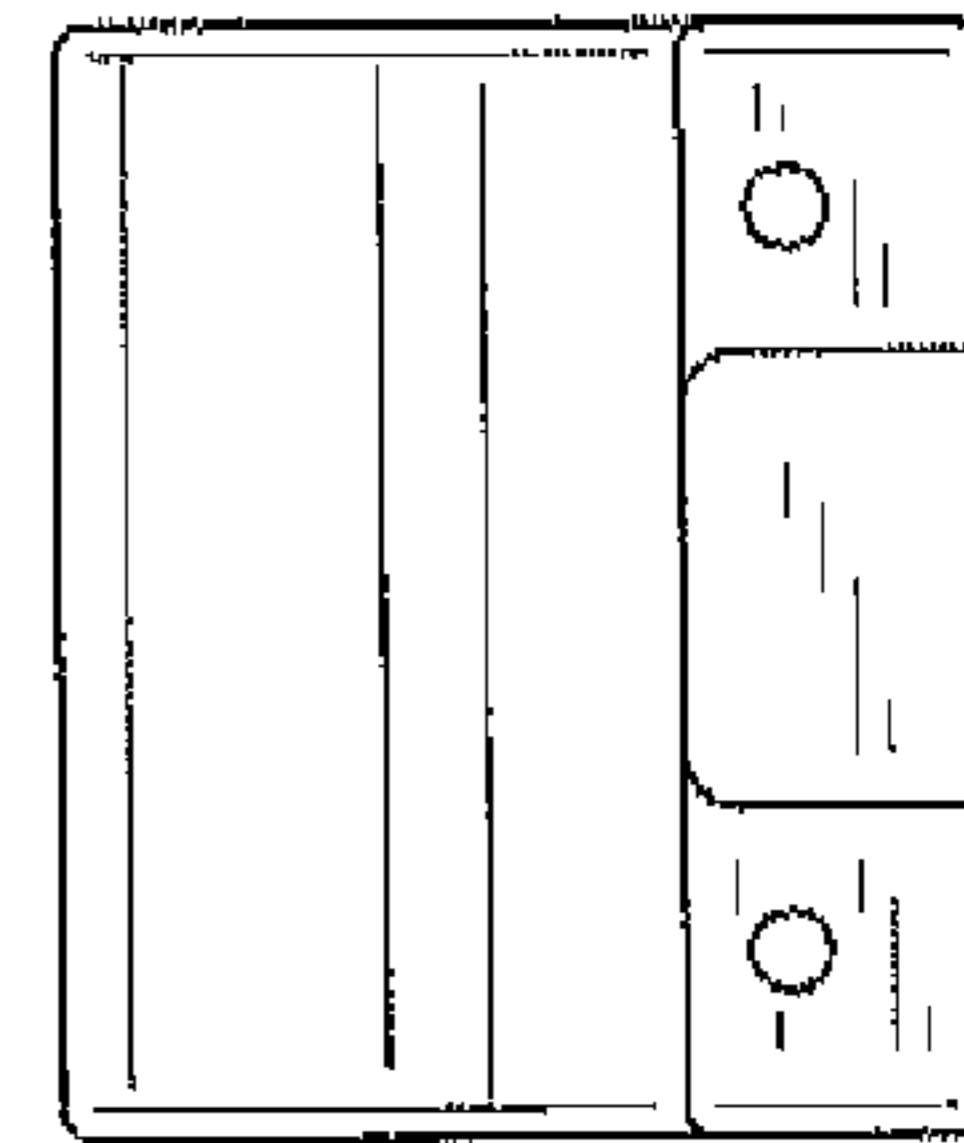


FIG. 3

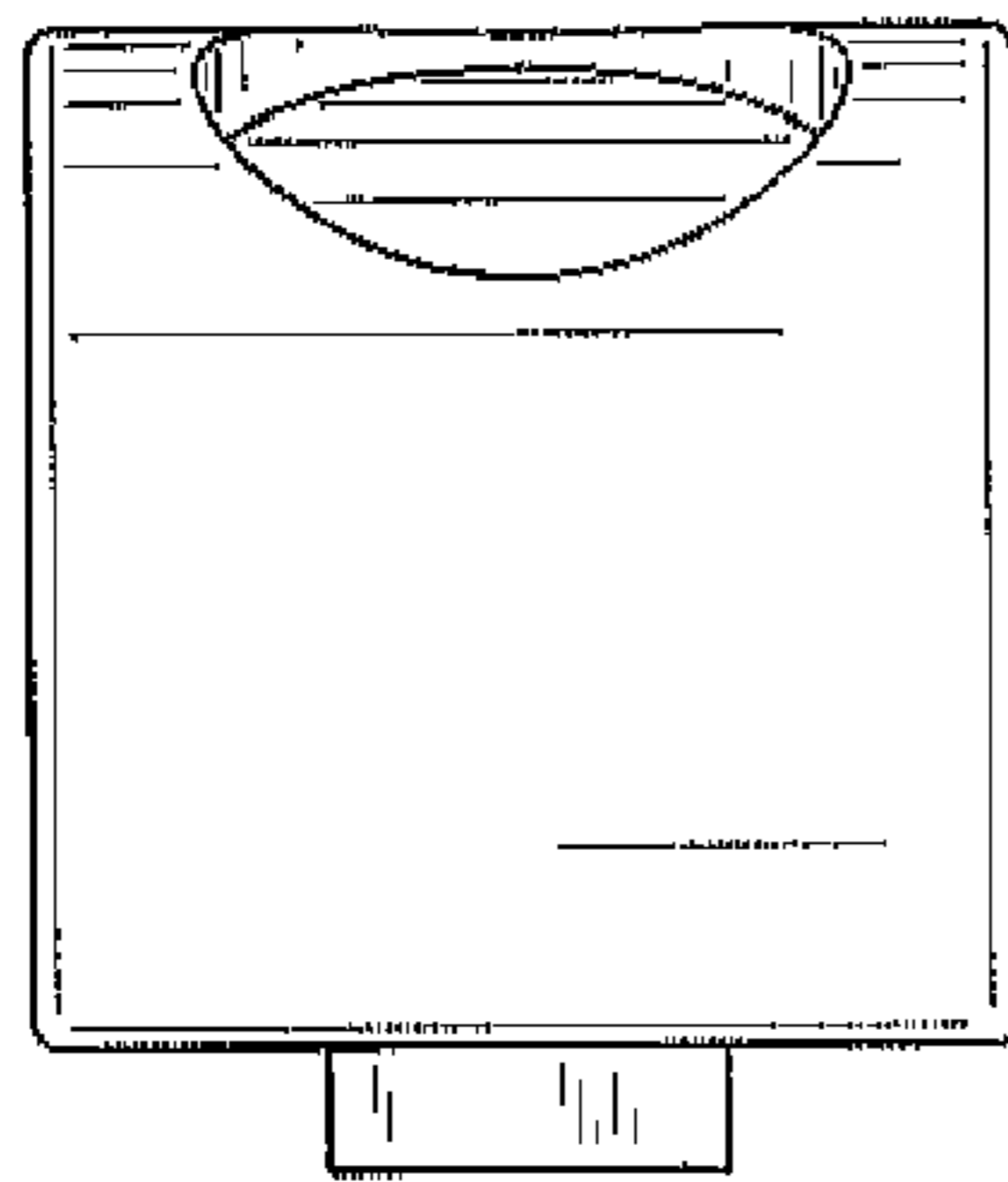


FIG. 4

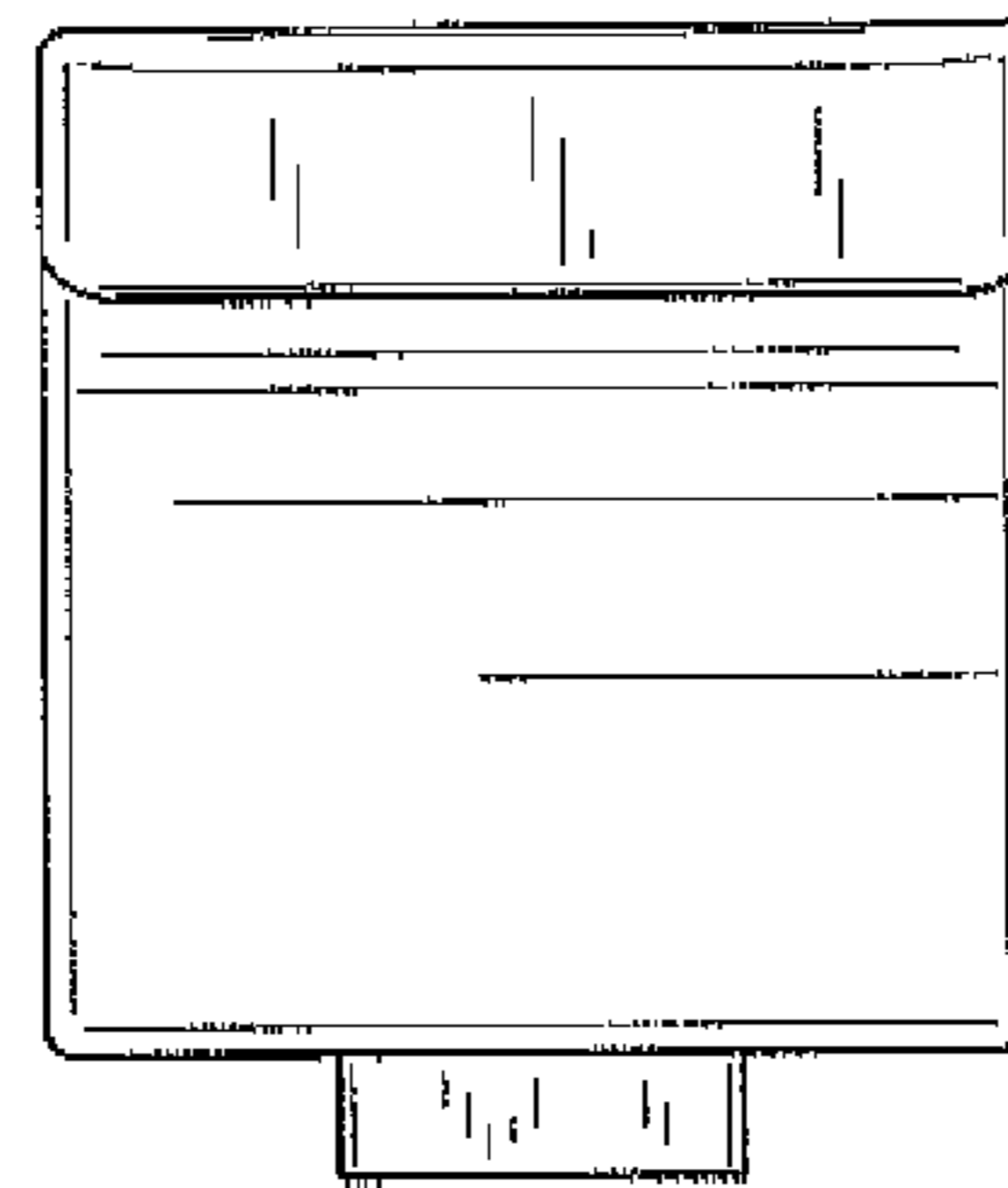


FIG. 5

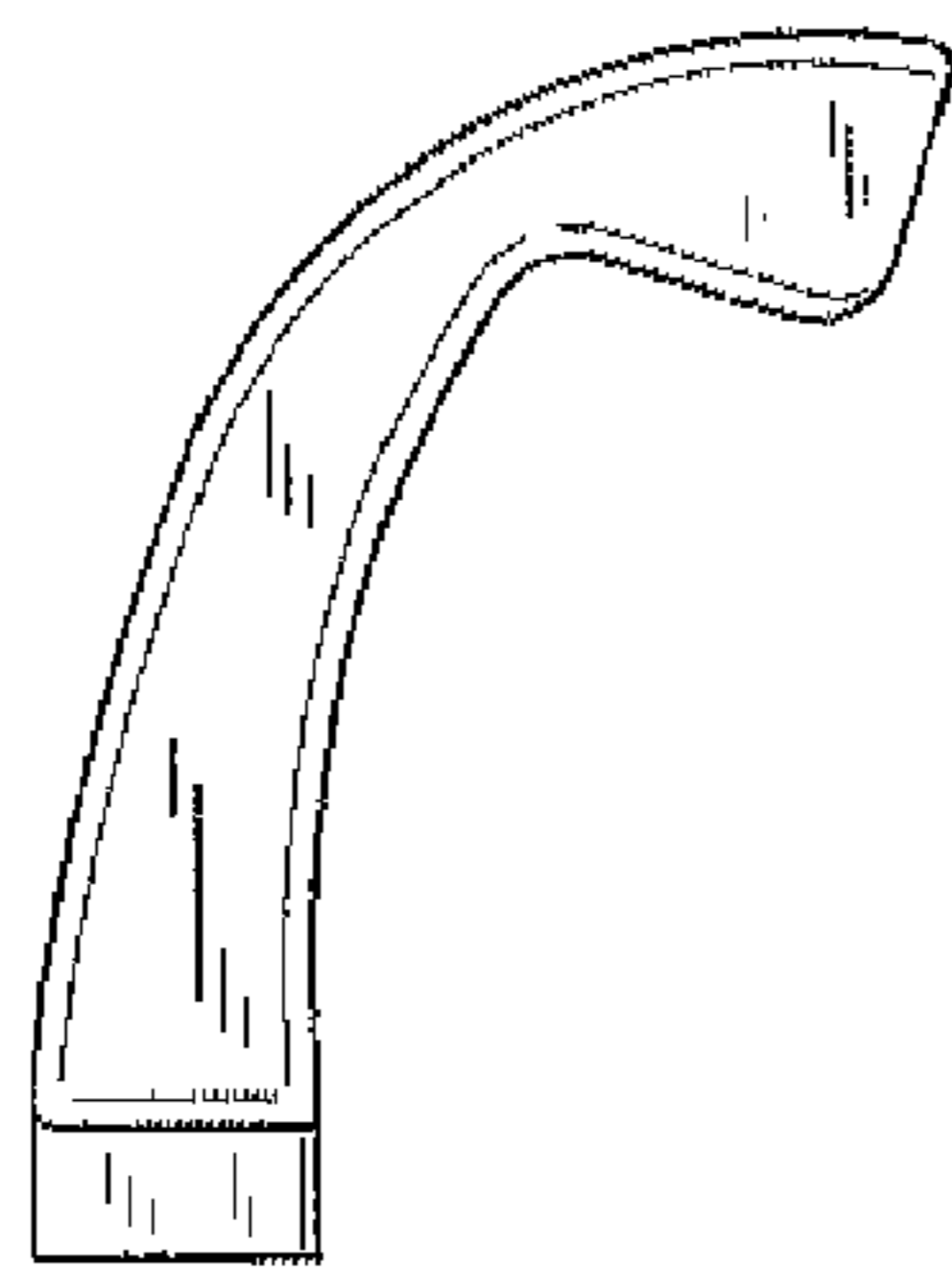


FIG. 6

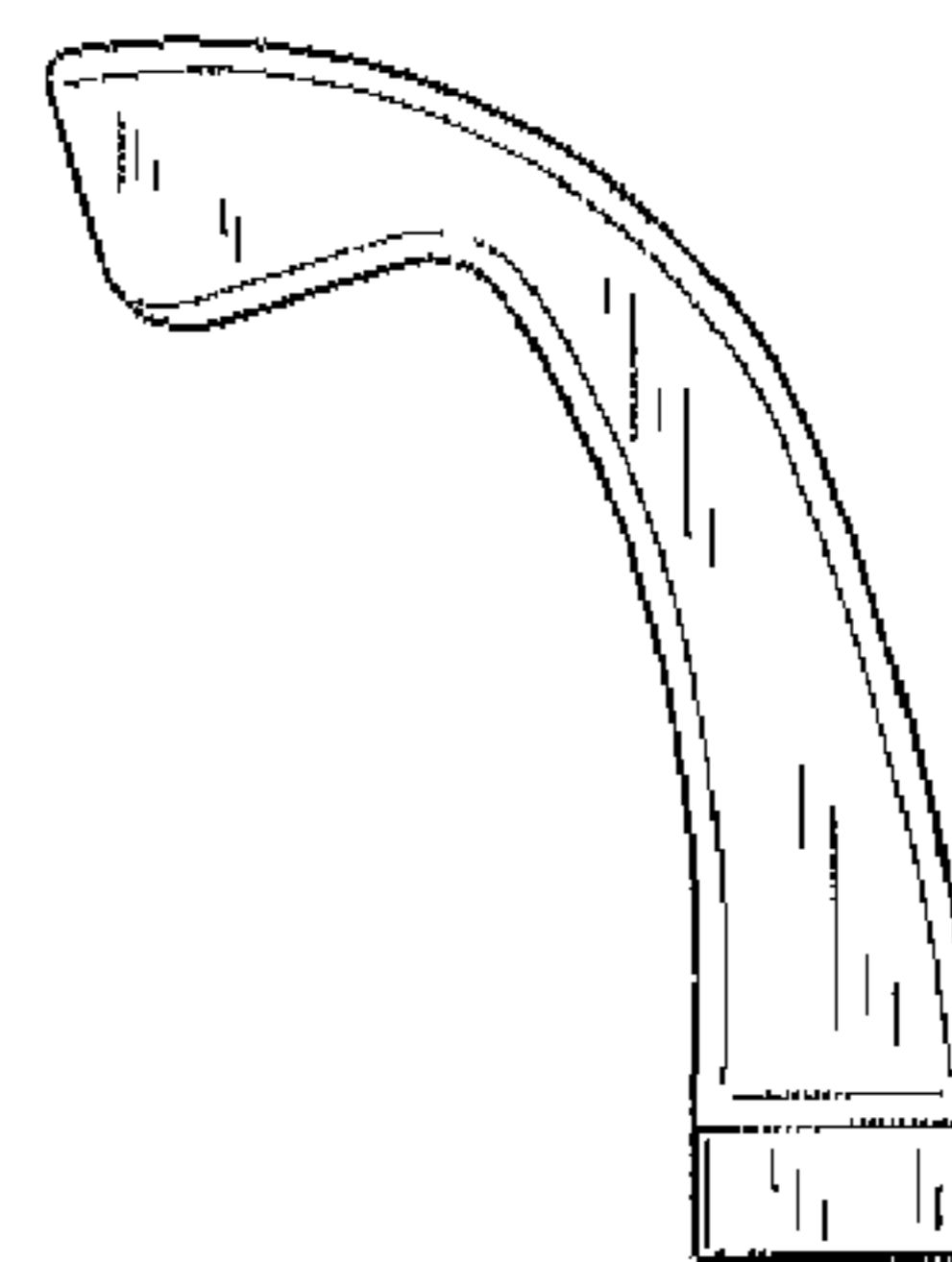


FIG. 7

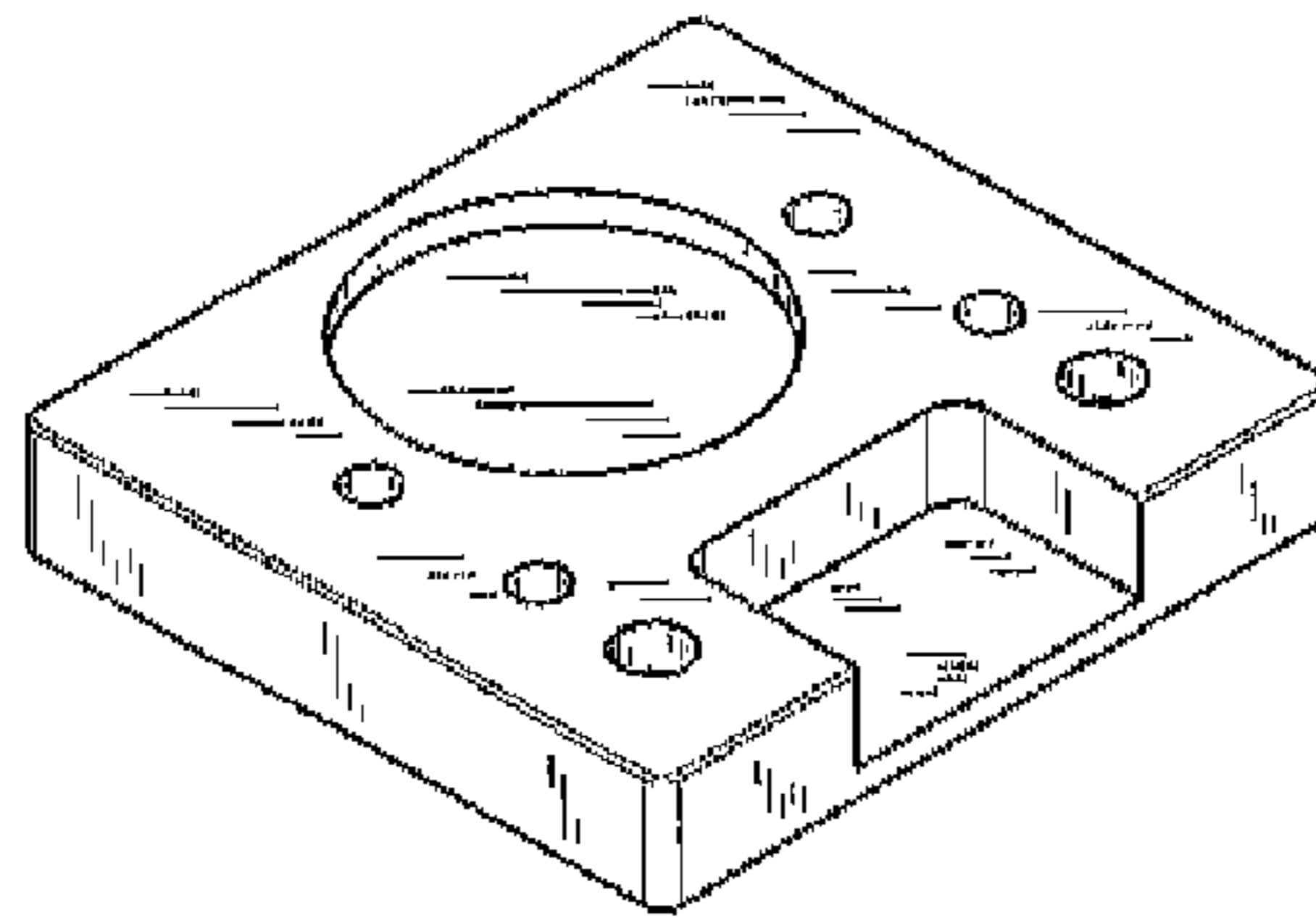


FIG. 8

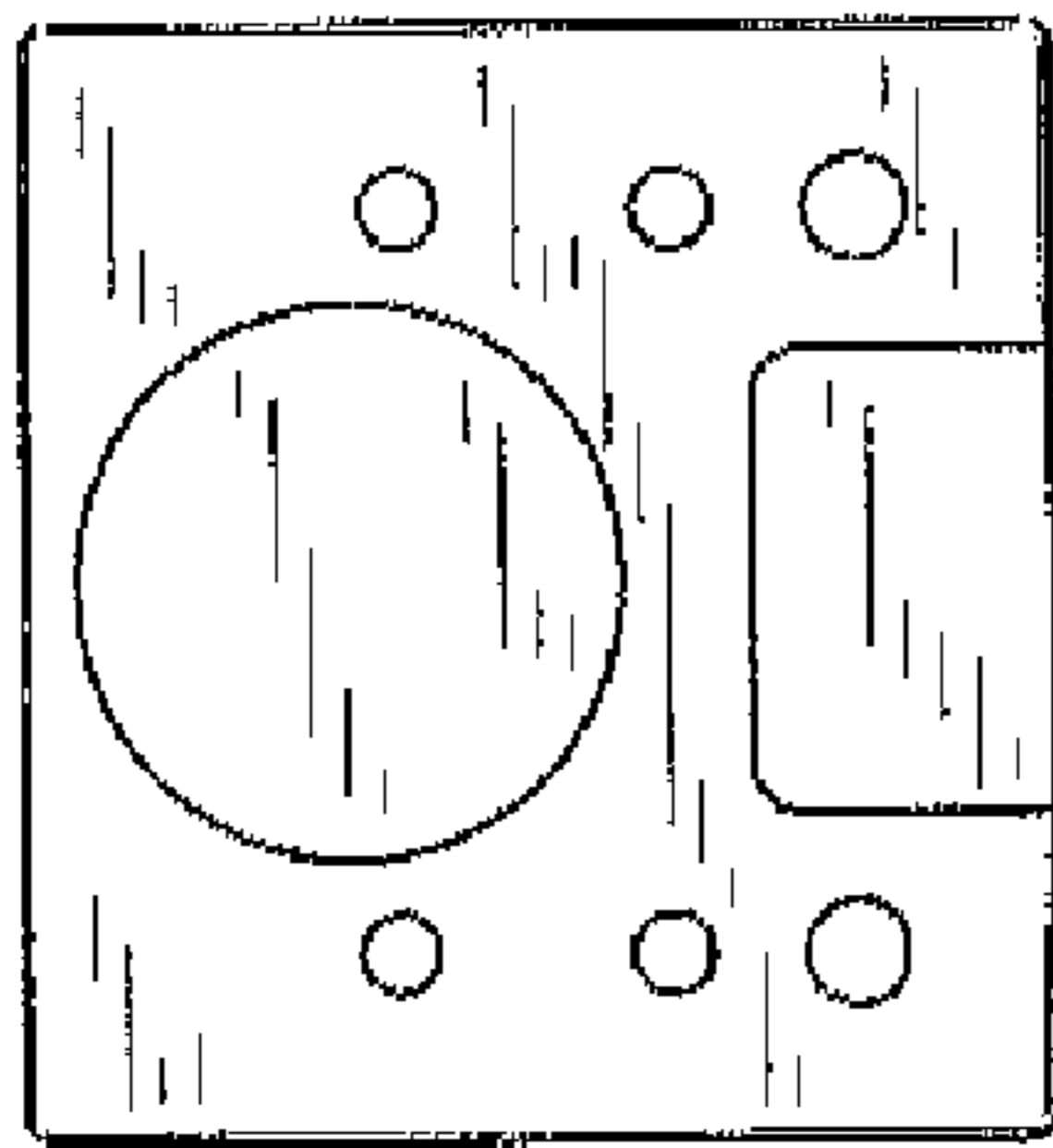


FIG. 9

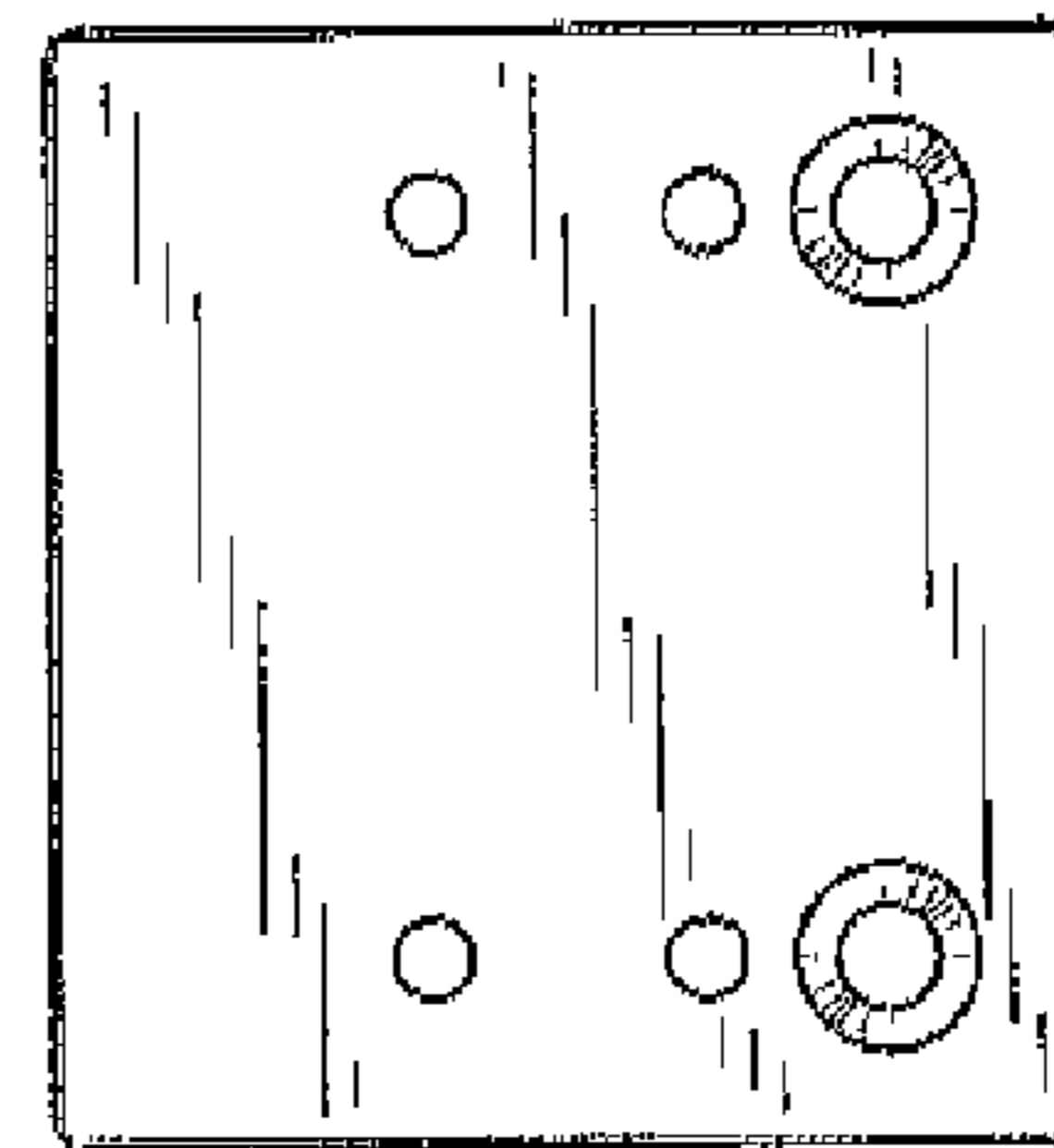


FIG. 10



FIG. 11

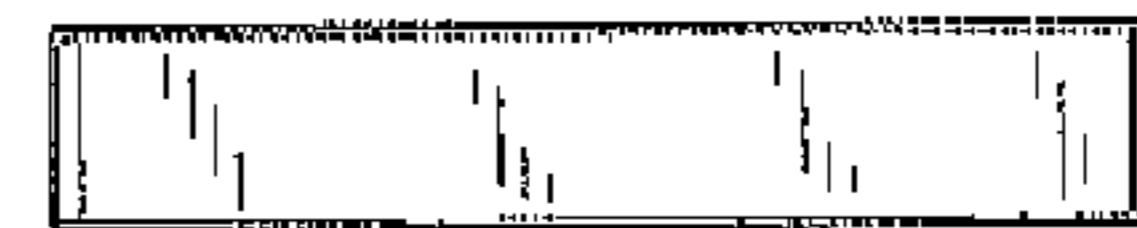


FIG. 12



FIG. 13



FIG. 14

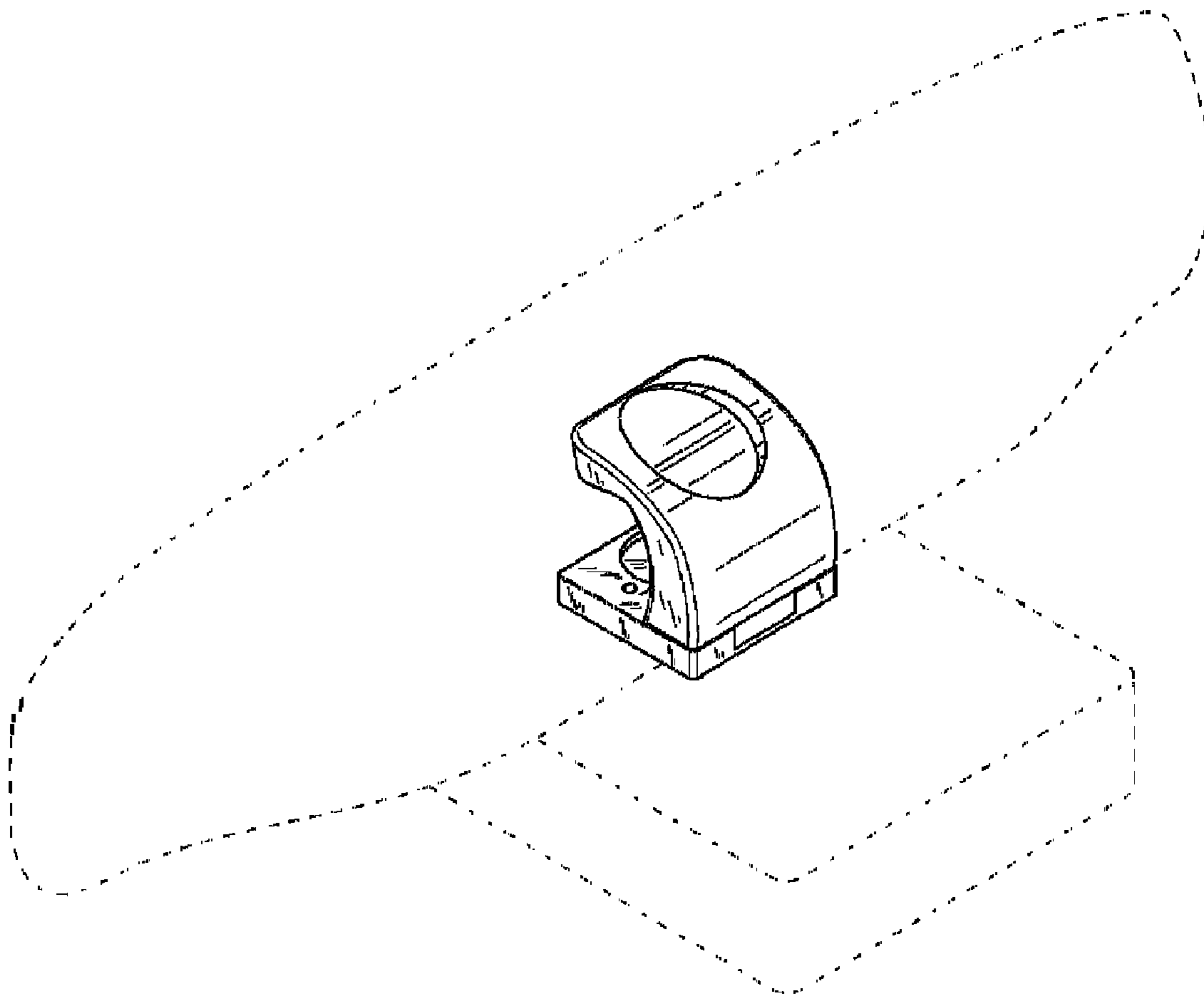


FIG. 15

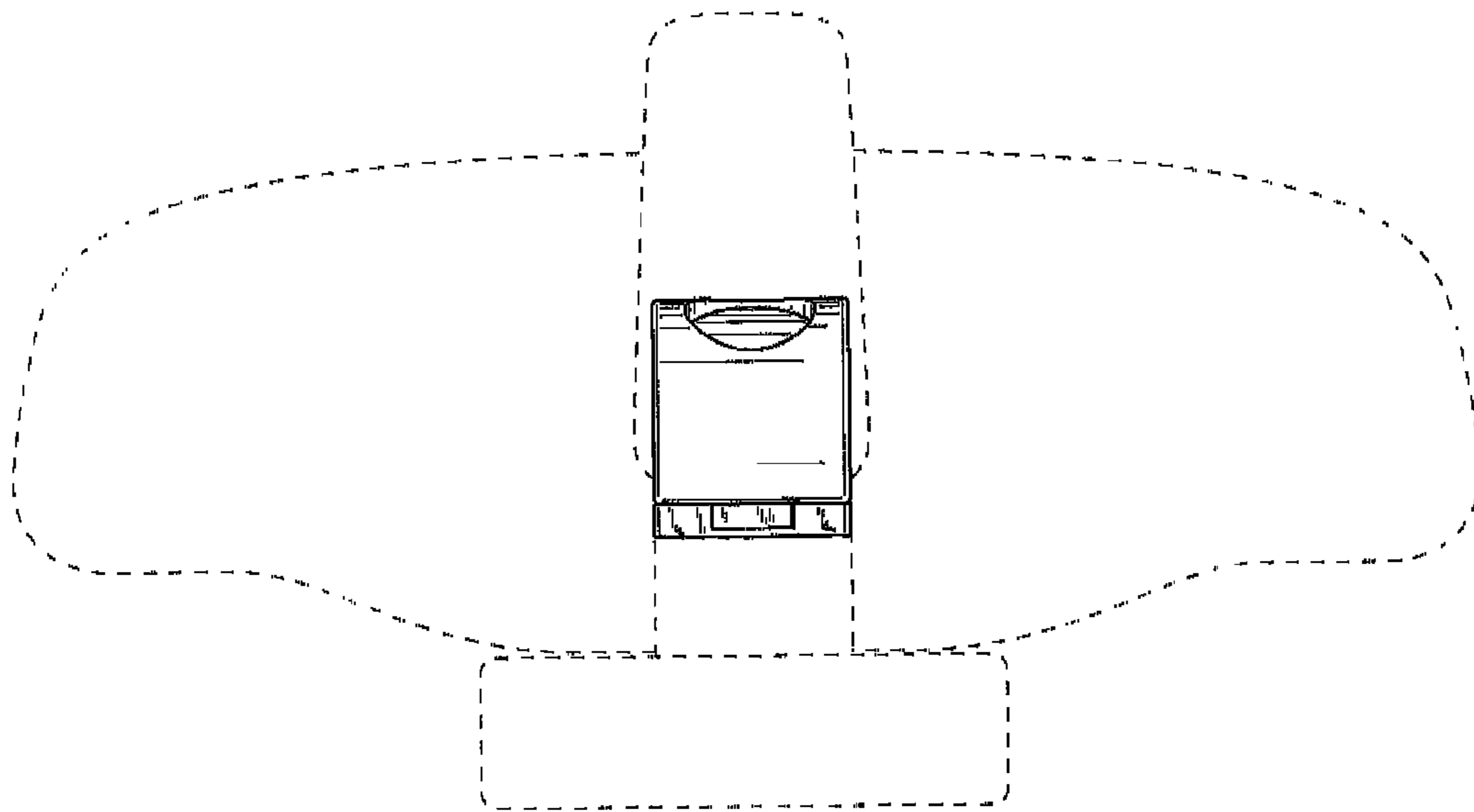


FIG. 16

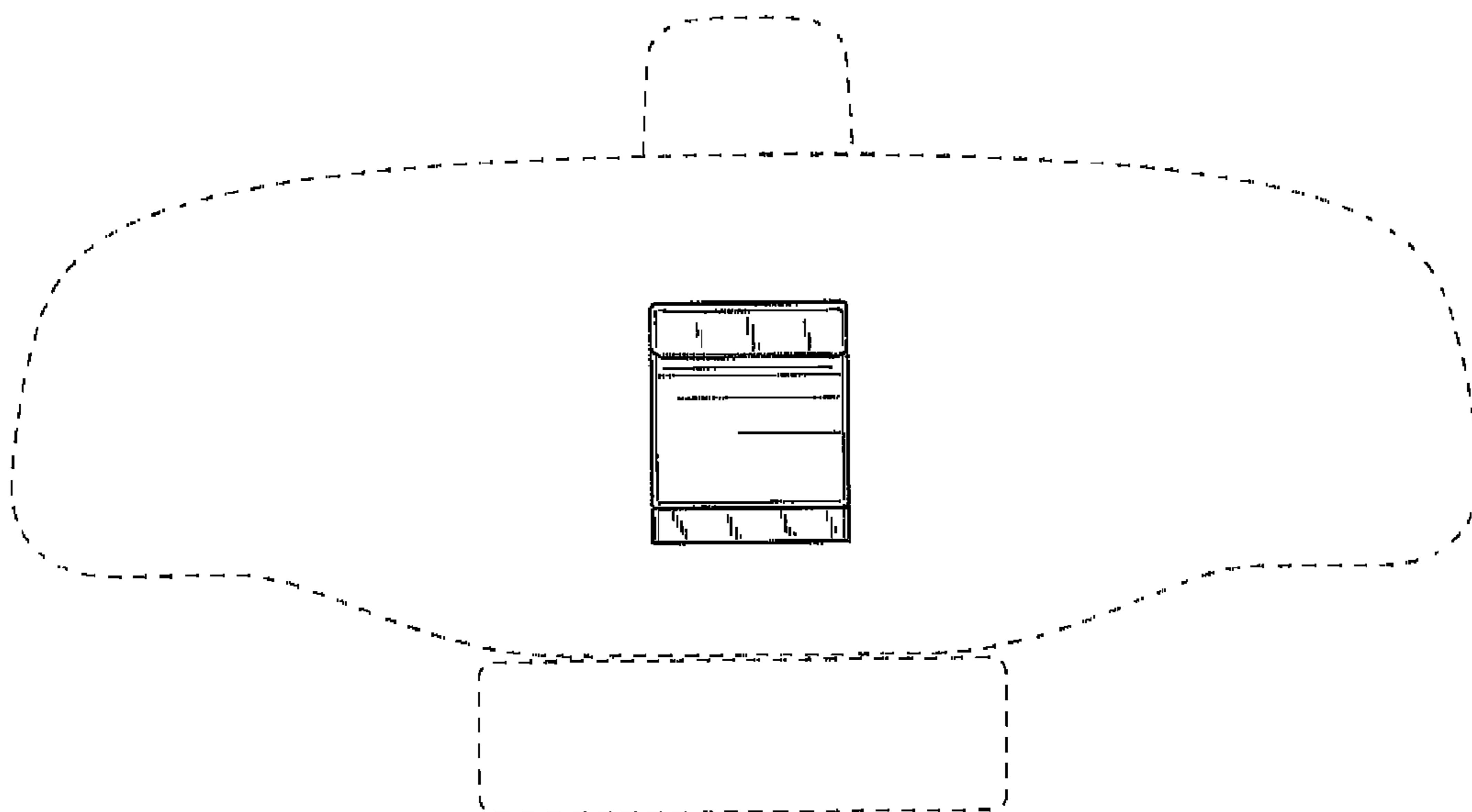


FIG. 17

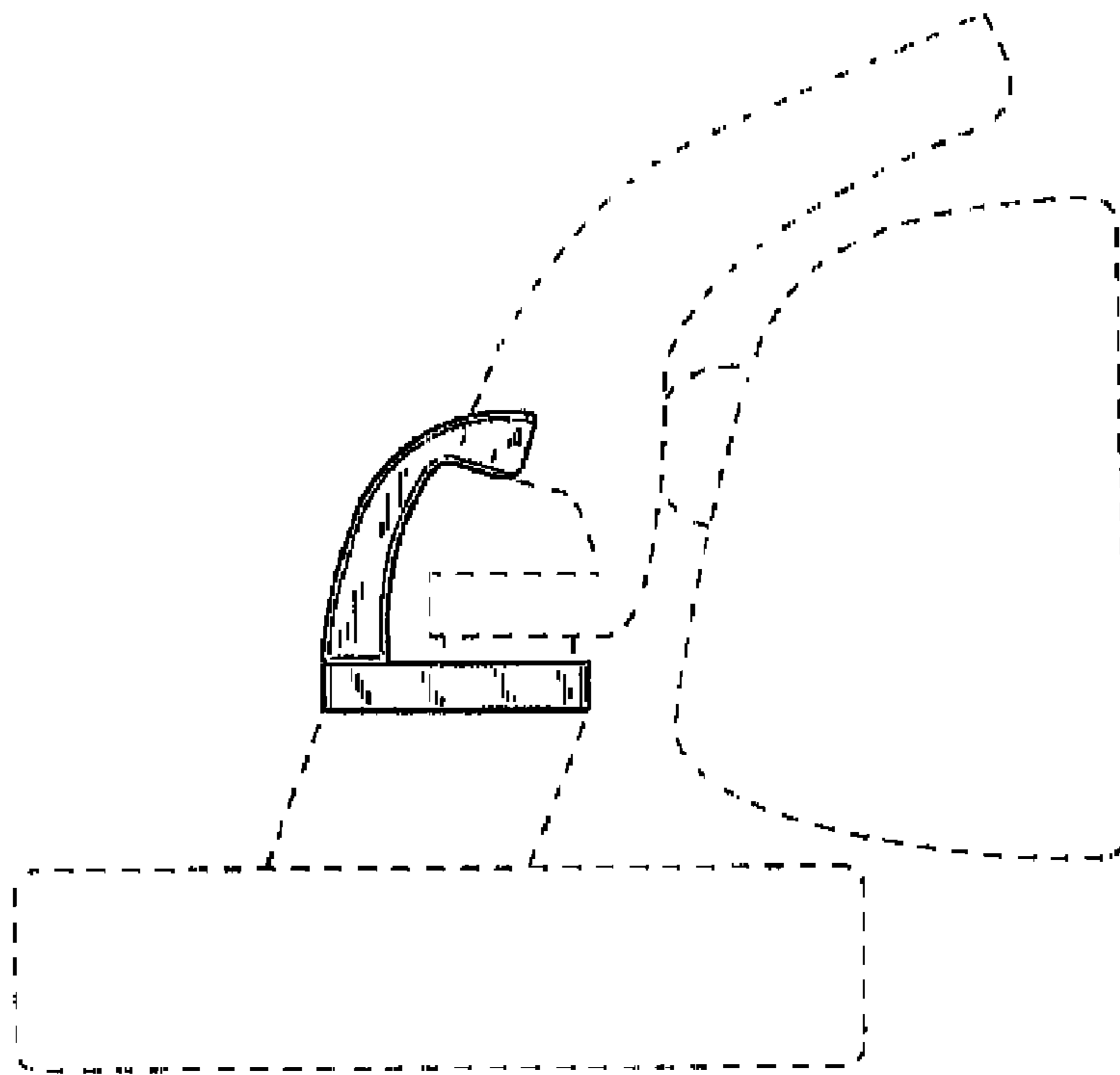


FIG. 18

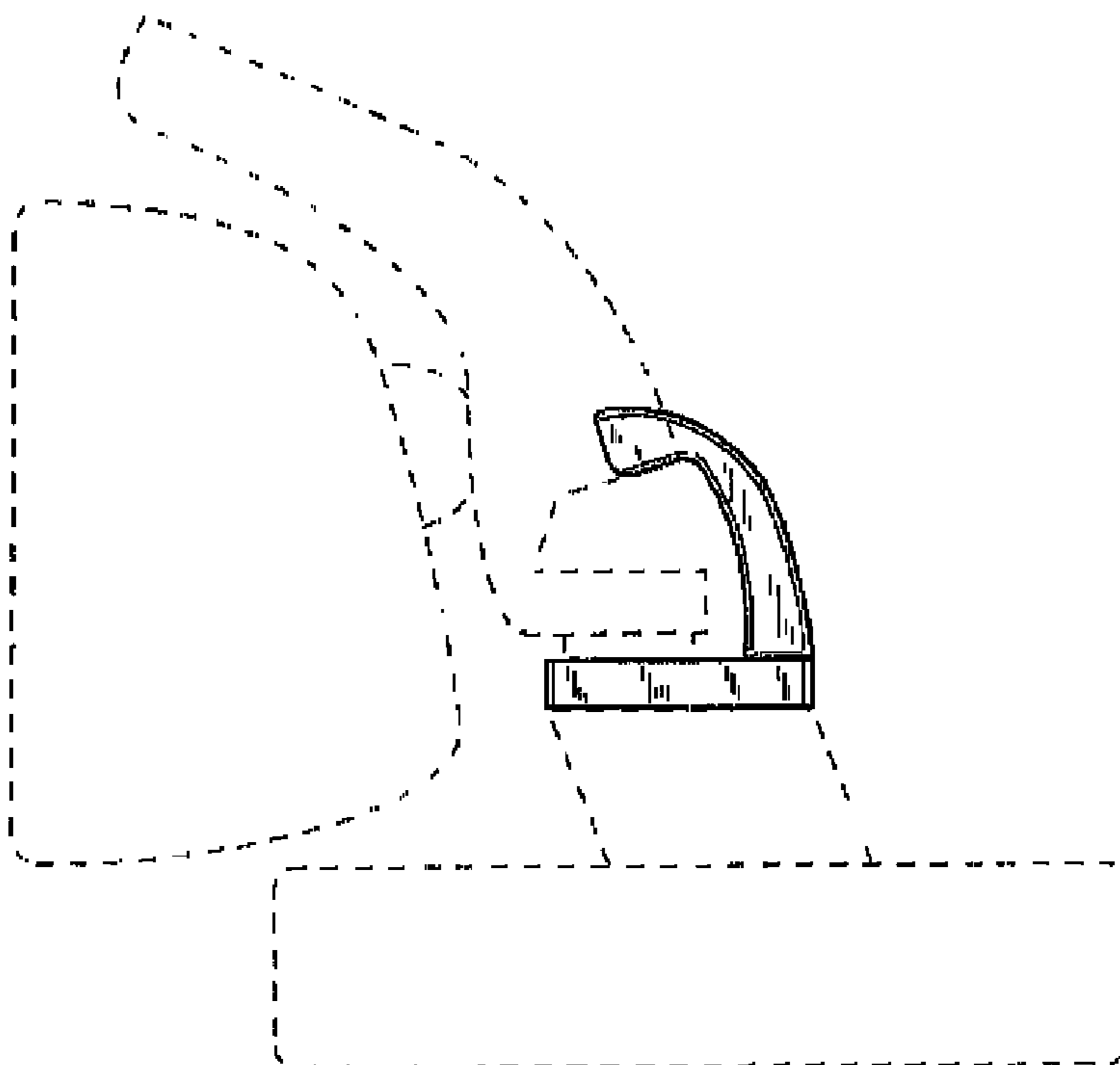


FIG. 19

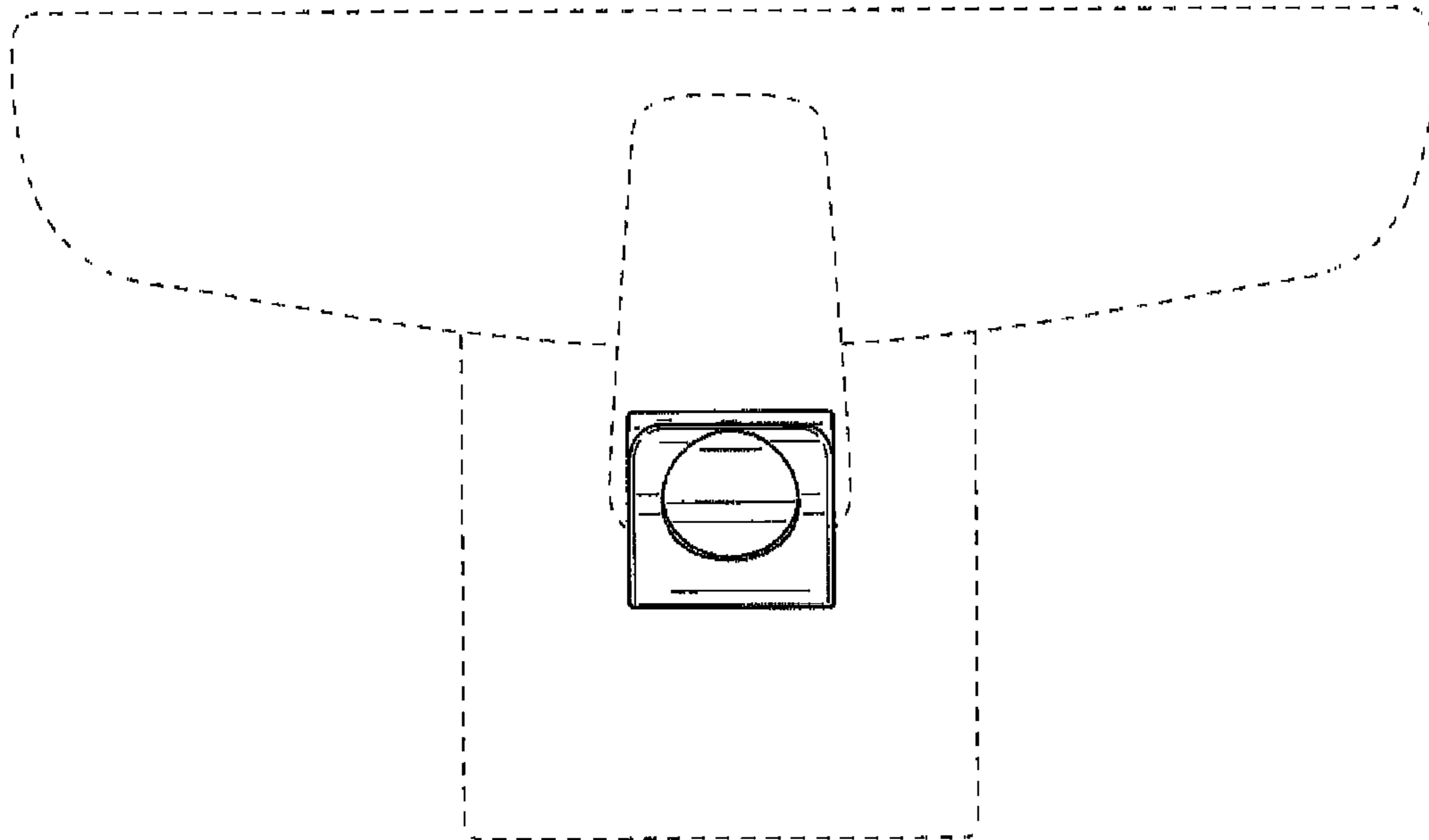


FIG. 20

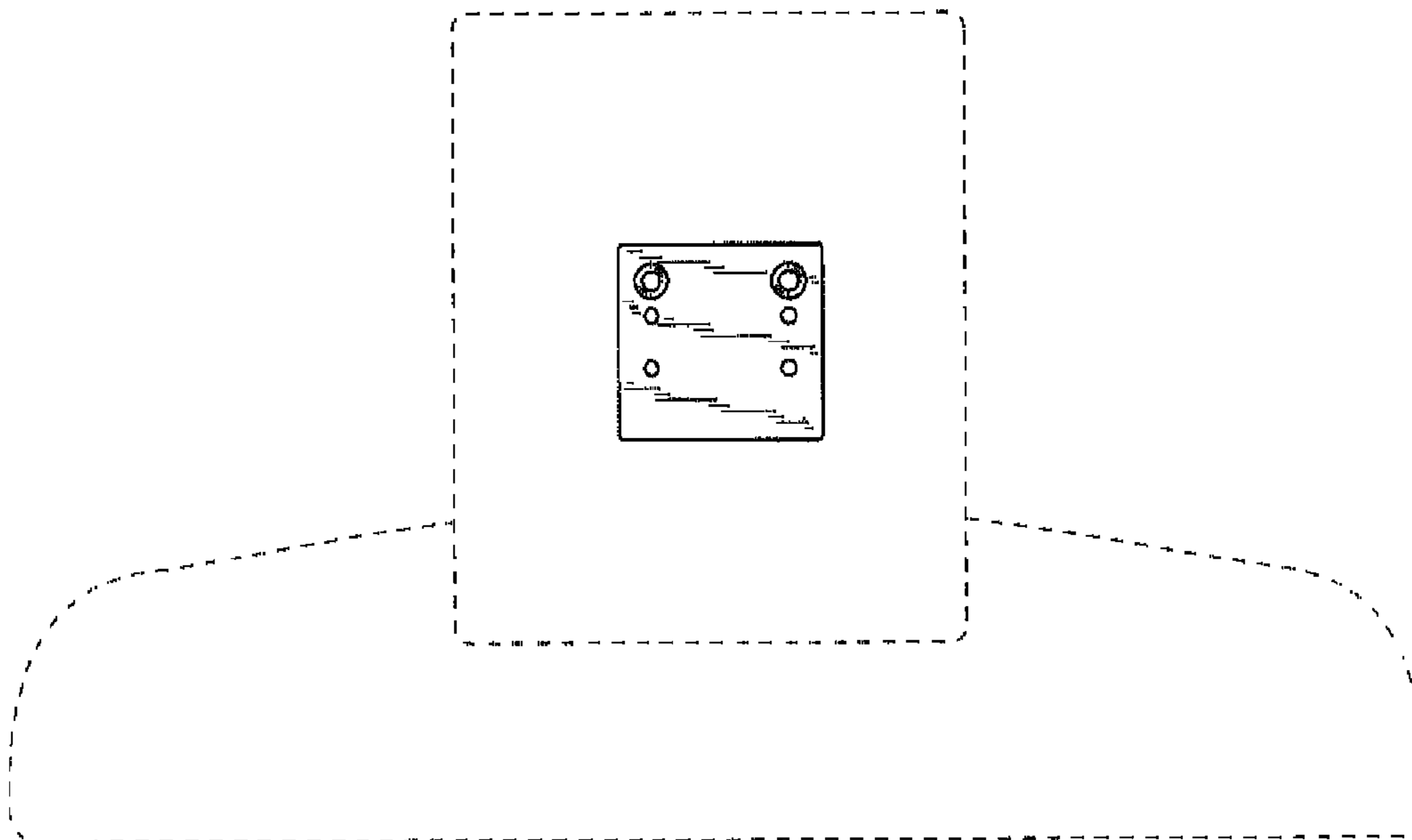


FIG. 21