



US00D656807S

(12) **United States Design Patent**
Lucio et al.

(10) **Patent No.:** **US D656,807 S**
(45) **Date of Patent:** **** Apr. 3, 2012**

- (54) **TOOL HANDLE WITH STORAGE COMPARTMENT**
- (75) Inventors: **Thomas Lucio**, Coral Springs, FL (US);
Glenn Robinson, Parkland, FL (US)
- (73) Assignee: **IBT Holdings, LLC**, Deerfield Beach, FL (US)
- (**) Term: **14 Years**
- (21) Appl. No.: **29/373,082**
- (22) Filed: **Feb. 28, 2011**
- (51) **LOC (9) Cl.** **08-04**
- (52) **U.S. Cl.** **D8/87; D8/107**
- (58) **Field of Classification Search** D8/107,
D8/83, 87, 25, 61, 68; 16/110.1, 111.1; D3/12;
81/177.1, 489, 490, 436, 437, 438, 439, 441;
D19/49, 45, 50; 401/110
See application file for complete search history.

D452,127	S *	12/2001	Hung	D8/85
6,510,768	B2 *	1/2003	Fruhm	81/490
6,840,143	B1 *	1/2005	Lin	81/438
6,997,088	B2 *	2/2006	Hu	81/490
D573,862	S *	7/2008	Kao	D8/85

* cited by examiner

Primary Examiner — Paula Greene

(74) *Attorney, Agent, or Firm* — Dan DeLaRosa

(57) **CLAIM**

The ornamental design for a tool handle with storage compartment, as shown and described.

DESCRIPTION

FIG. 1 is a perspective view of the tool handle and the storage compartment of the present invention showing my new design;
 FIG. 2 is a front side elevational view thereof;
 FIG. 3 is a back side elevational view thereof;
 FIG. 4 is a side elevational view thereof;
 FIG. 5 is another side elevational view thereof;
 FIG. 6 is a top plan view of the handle;
 FIG. 7 is a bottom plan view of the handle;
 FIG. 8 is a top plan view of the storage compartment;
 FIG. 9 is a bottom plan view of the storage compartment; and,
 FIG. 10 is a perspective view of the FIG. 1 in an assembled position.

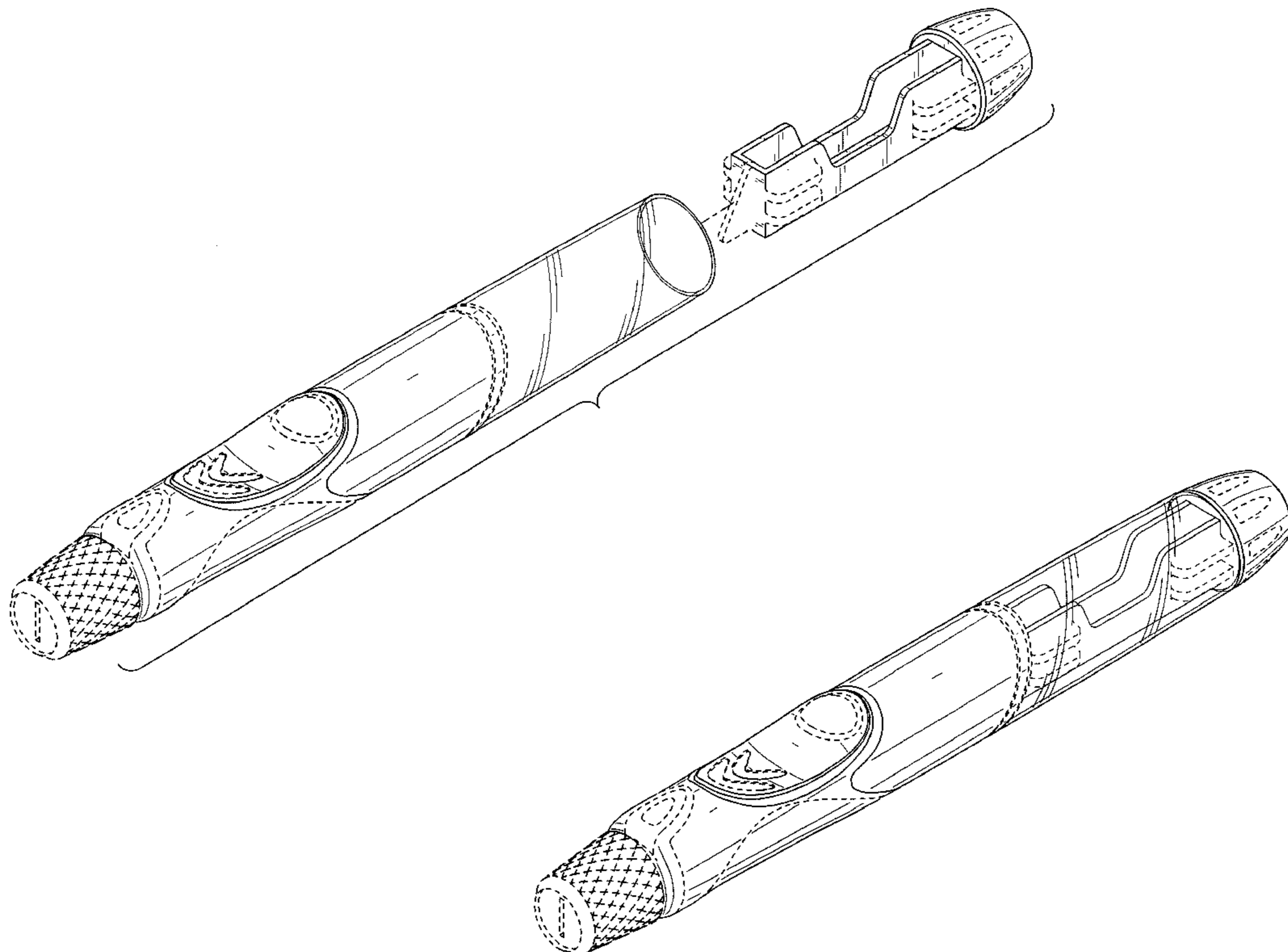
The broken lines form no part of the claimed design.

1 Claim, 6 Drawing Sheets

(56) **References Cited**

U.S. PATENT DOCUMENTS

1,749,565	A *	3/1930	Coryell	132/318
1,797,016	A *	3/1931	Osborne	30/164.9
2,471,764	A *	5/1949	Miller et al.	294/65.5
3,194,286	A *	7/1965	Wagner	81/439
D211,772	S *	7/1968	Hopkins	D8/87
4,815,346	A *	3/1989	Littlehorn	81/439
D319,562	S *	9/1991	Ballard	D8/29
5,337,637	A *	8/1994	Bih-Lien	81/439
5,740,706	A *	4/1998	Tseng	81/490
D401,277	S *	11/1998	Takemura	D19/50



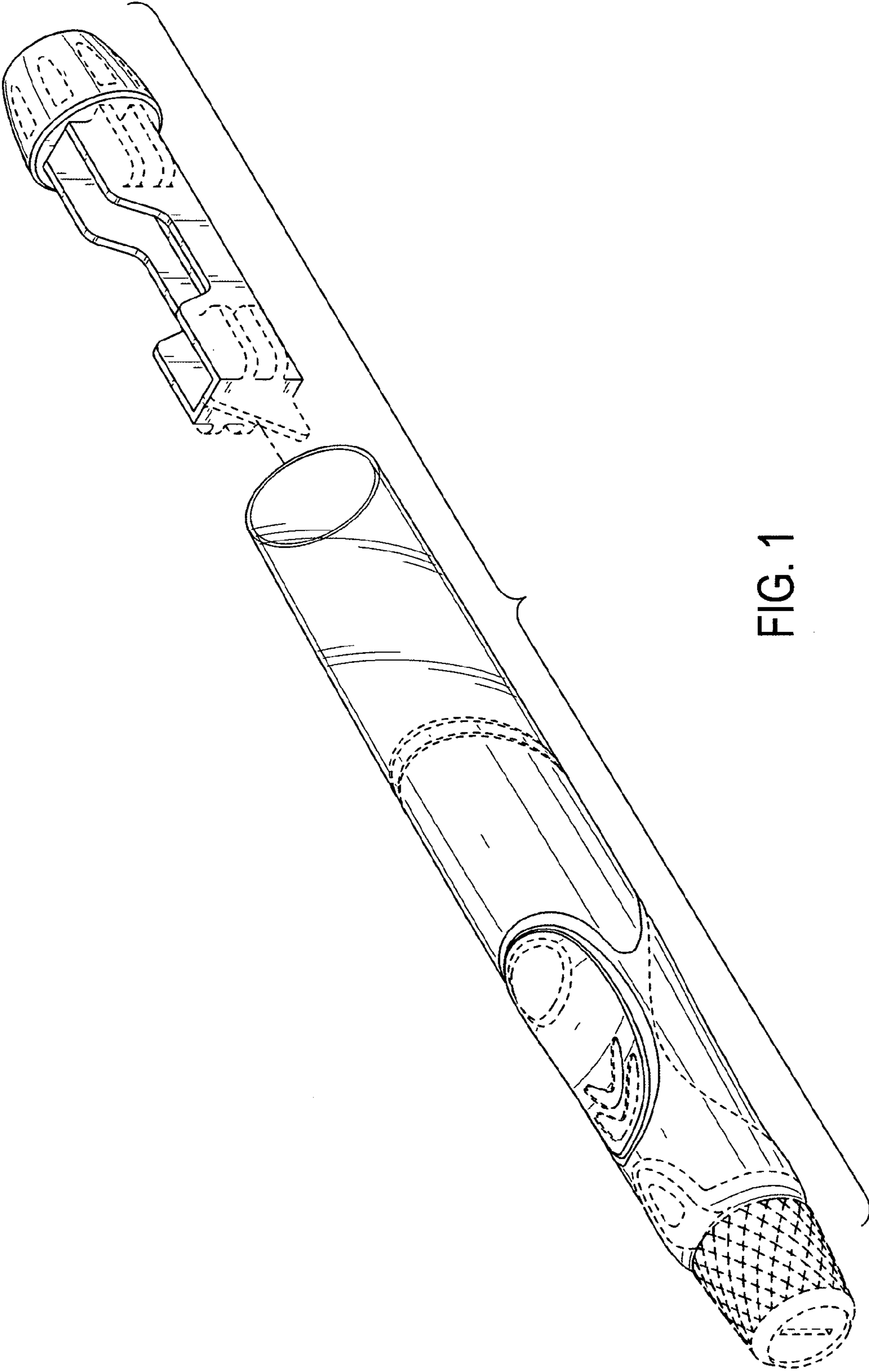


FIG. 1

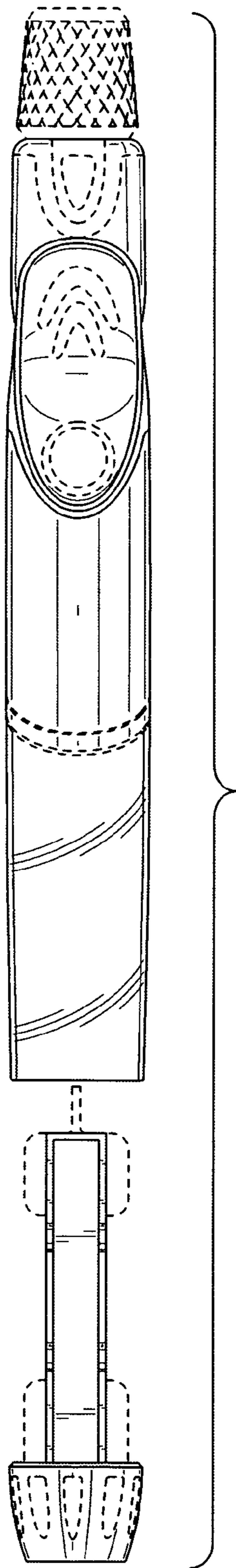


FIG. 2

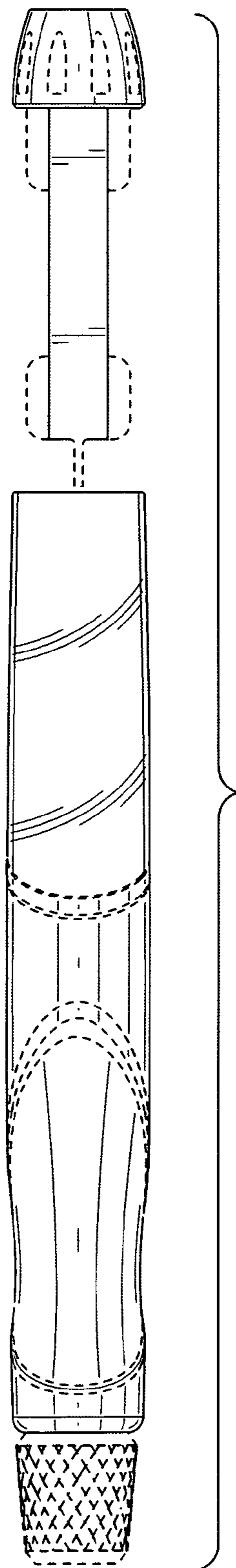


FIG. 3

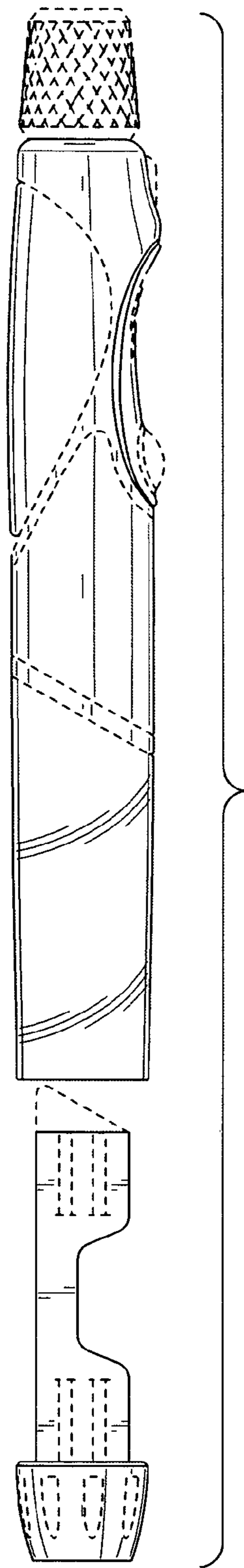


FIG. 4

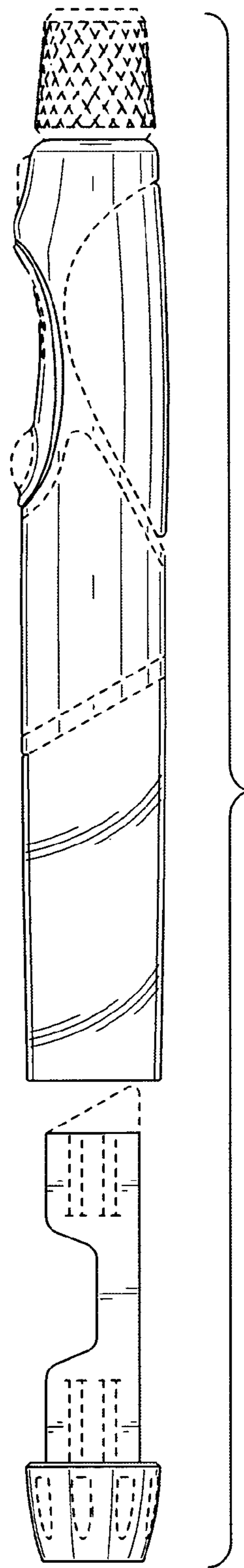


FIG. 5

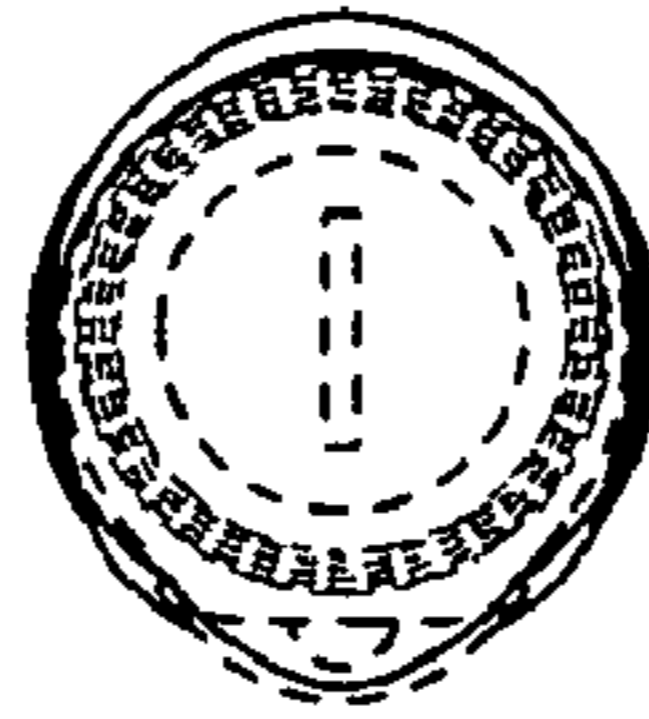


FIG. 6

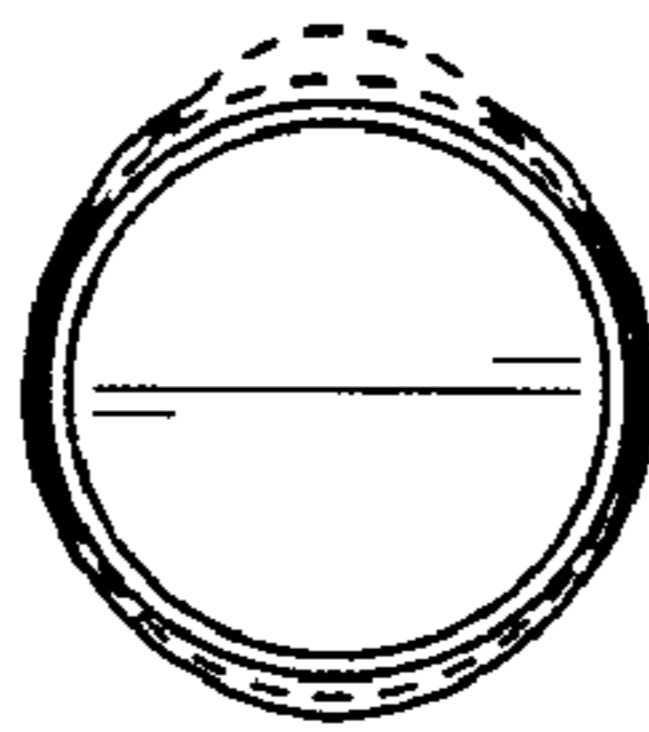


FIG. 7

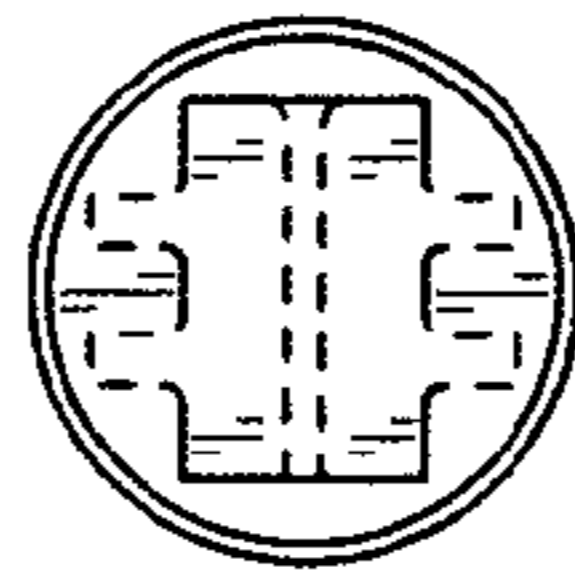


FIG. 8

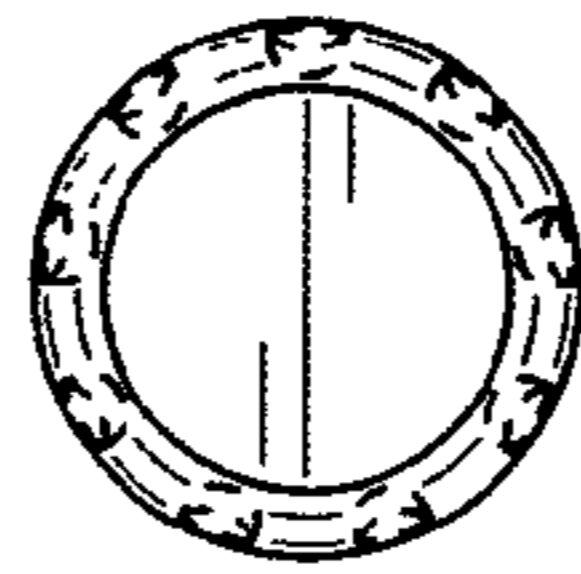


FIG. 9

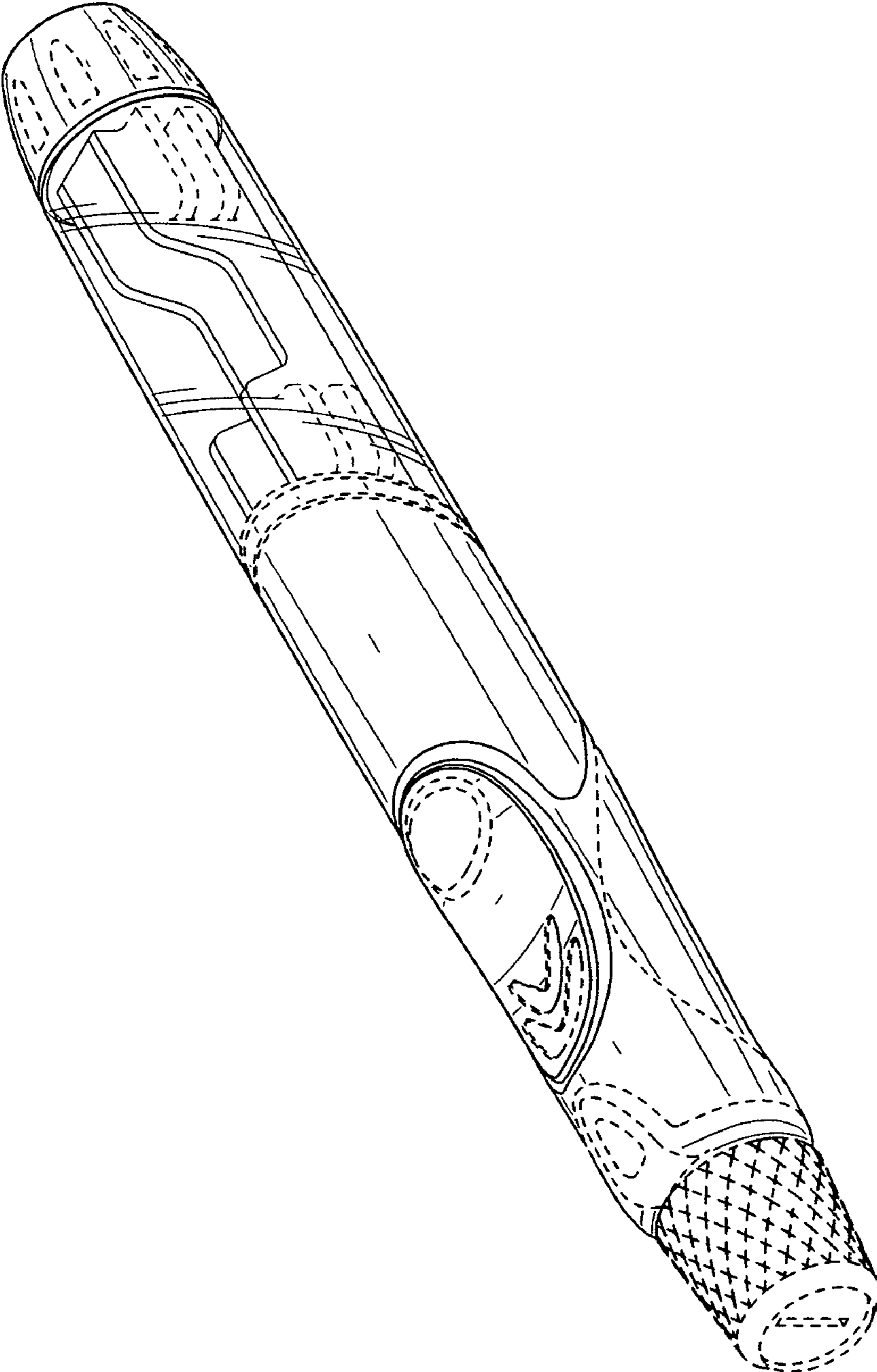


FIG. 10