



US00D656805S

(12) **United States Design Patent**  
**Baumann**

(10) **Patent No.:** **US D656,805 S**

(45) **Date of Patent:** **\*\* Apr. 3, 2012**

(54) **FOUR-JAW COLLET CHUCK**

(56) **References Cited**

(75) Inventor: **Hans Baumann**, Sontheim/Brenz (DE)

U.S. PATENT DOCUMENTS

(73) Assignee: **Roehm GmbH**, Sontheim (DE)

4,840,387	A *	6/1989	McCarthy	279/134
D336,481	S *	6/1993	Silvia	D15/140
D489,078	S *	4/2004	Roy	D15/140
7,455,303	B2 *	11/2008	Draudt et al.	279/63

(\*\*) Term: **14 Years**

\* cited by examiner

(21) Appl. No.: **29/387,307**

*Primary Examiner* — Antoine D Davis

(22) Filed: **Mar. 11, 2011**

(74) *Attorney, Agent, or Firm* — Andrew Wilford

(30) **Foreign Application Priority Data**

(57) **CLAIM**

The ornamental design for a four-jaw collet chuck, as shown and described.

Sep. 13, 2010 (EM) ..... 001753906

**DESCRIPTION**

(51) **LOC (9) Cl.** ..... **08-05**

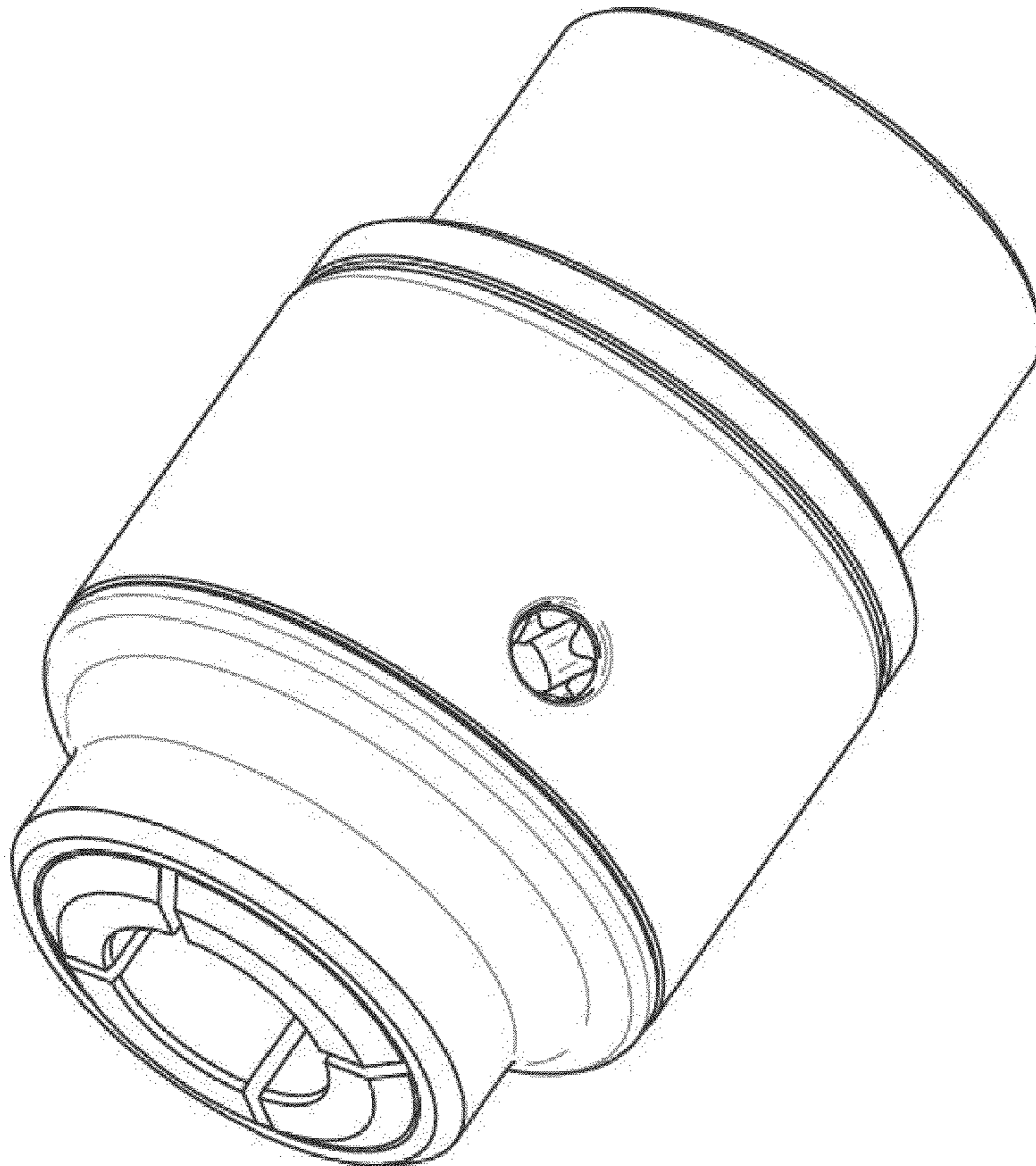
(52) **U.S. Cl.** ..... **D8/70**

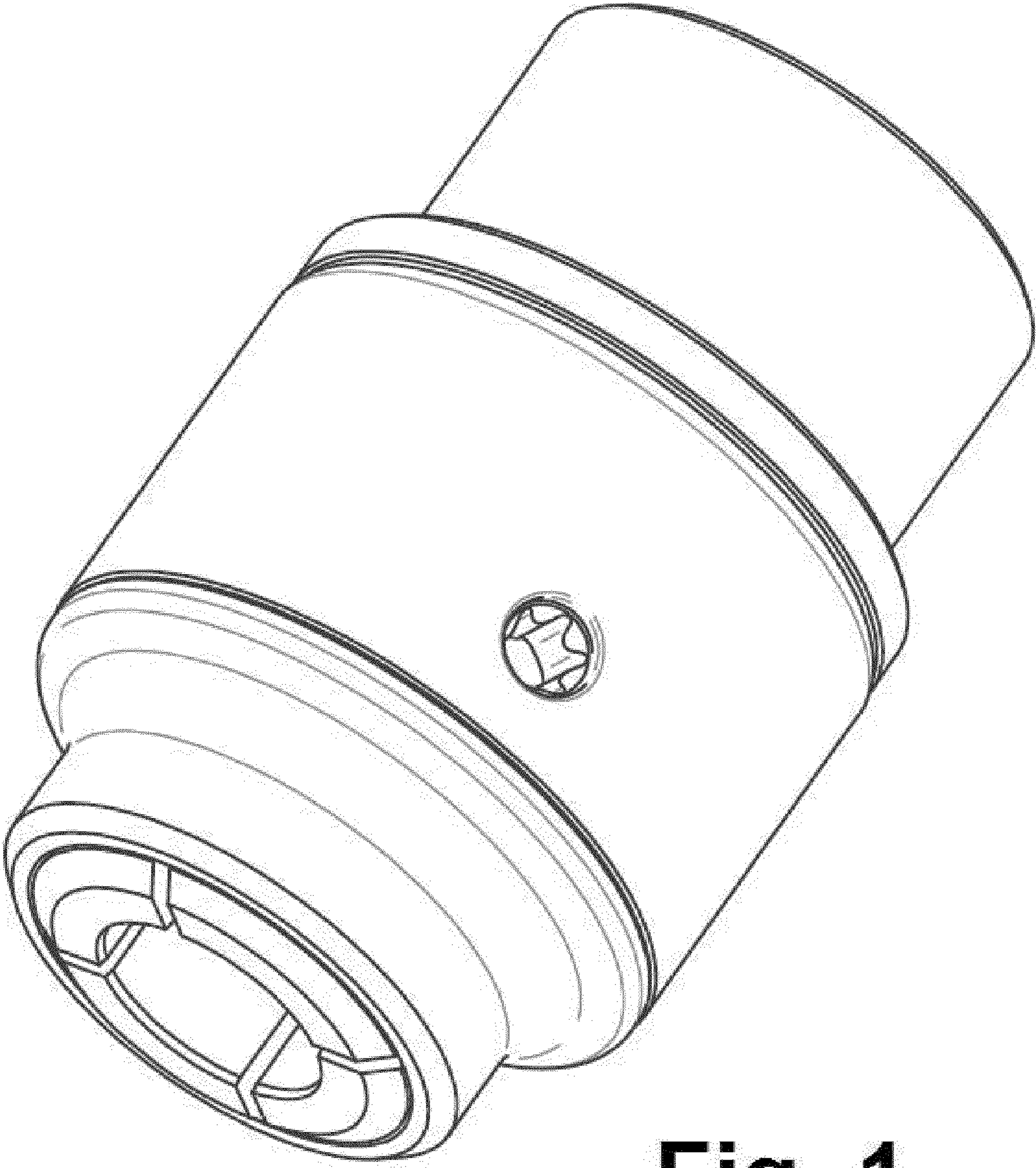
(58) **Field of Classification Search** ..... D8/61-71;  
175/320, 324, 393, 415; 279/145, 60-64,  
279/157, 901-902; 299/33; 408/239 R;  
81/429

FIG. 1 is a perspective view from below of the invention;  
FIG. 2 is a front elevational view;  
FIG. 3 is a right-side elevational view, the left-side elevational view being a mirror image thereof;  
FIG. 4 is a back elevational view;  
FIG. 5 is a bottom view; and,  
FIG. 6 is a top view.

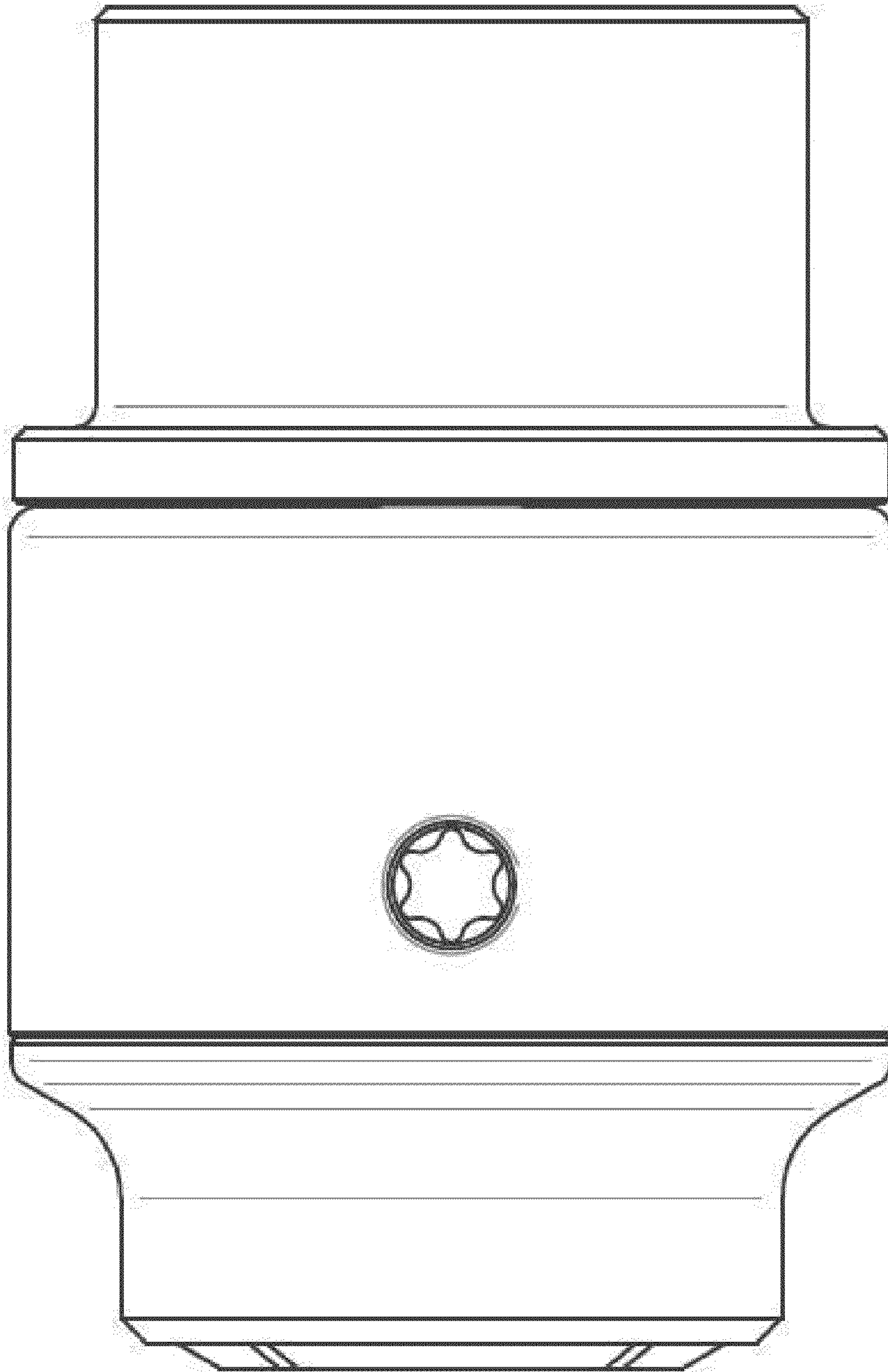
See application file for complete search history.

**1 Claim, 6 Drawing Sheets**

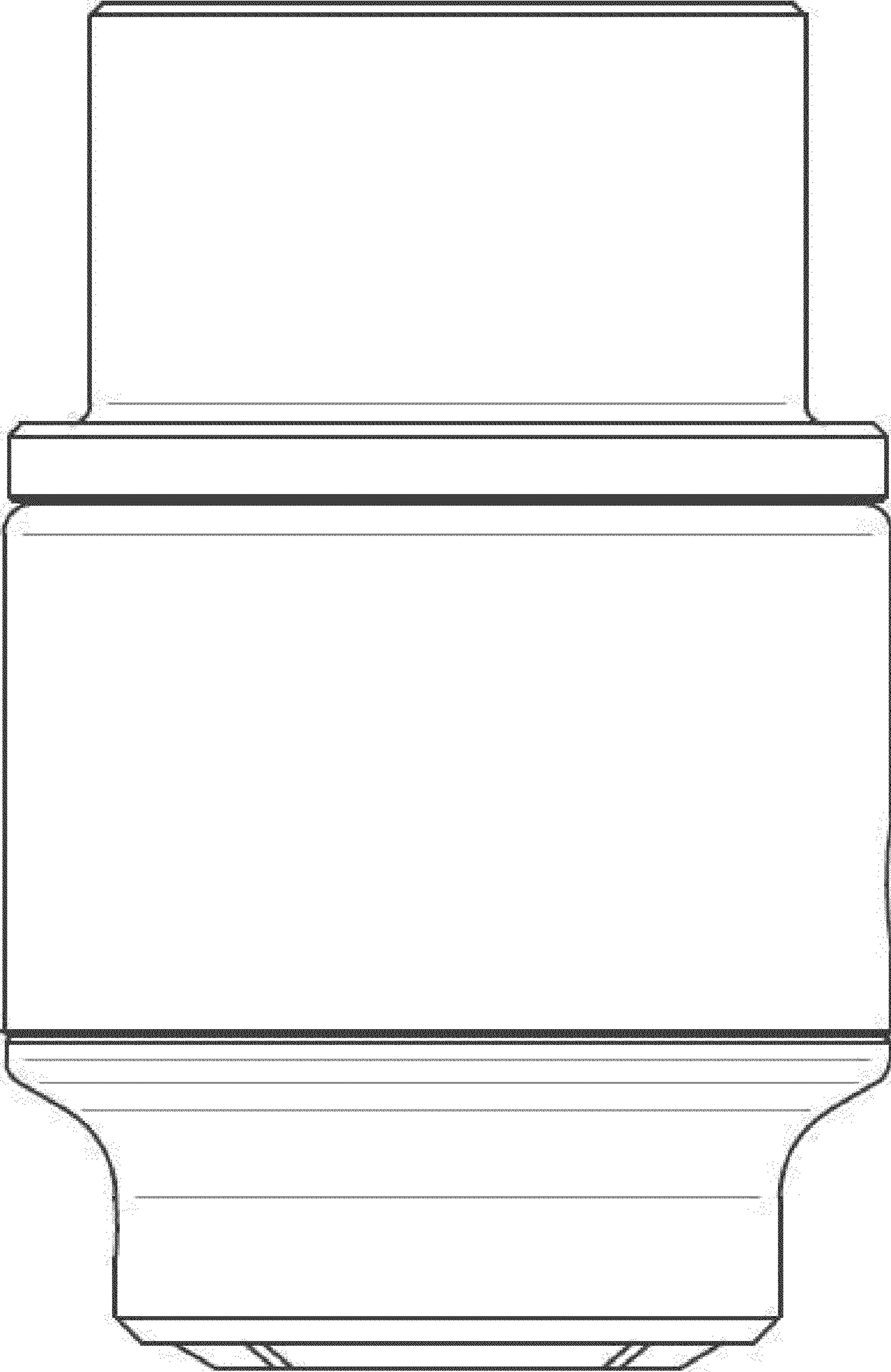




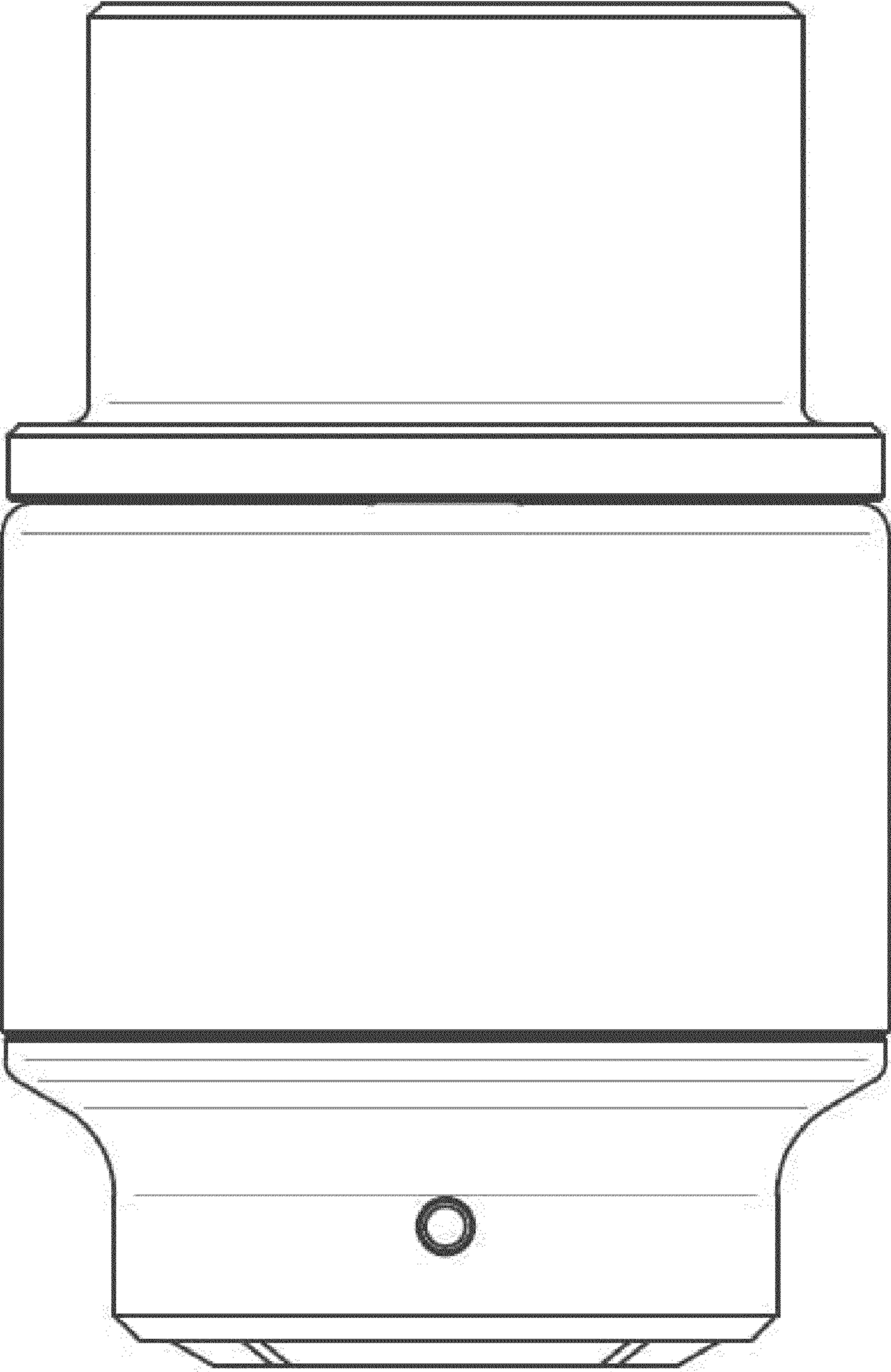
**Fig. 1**



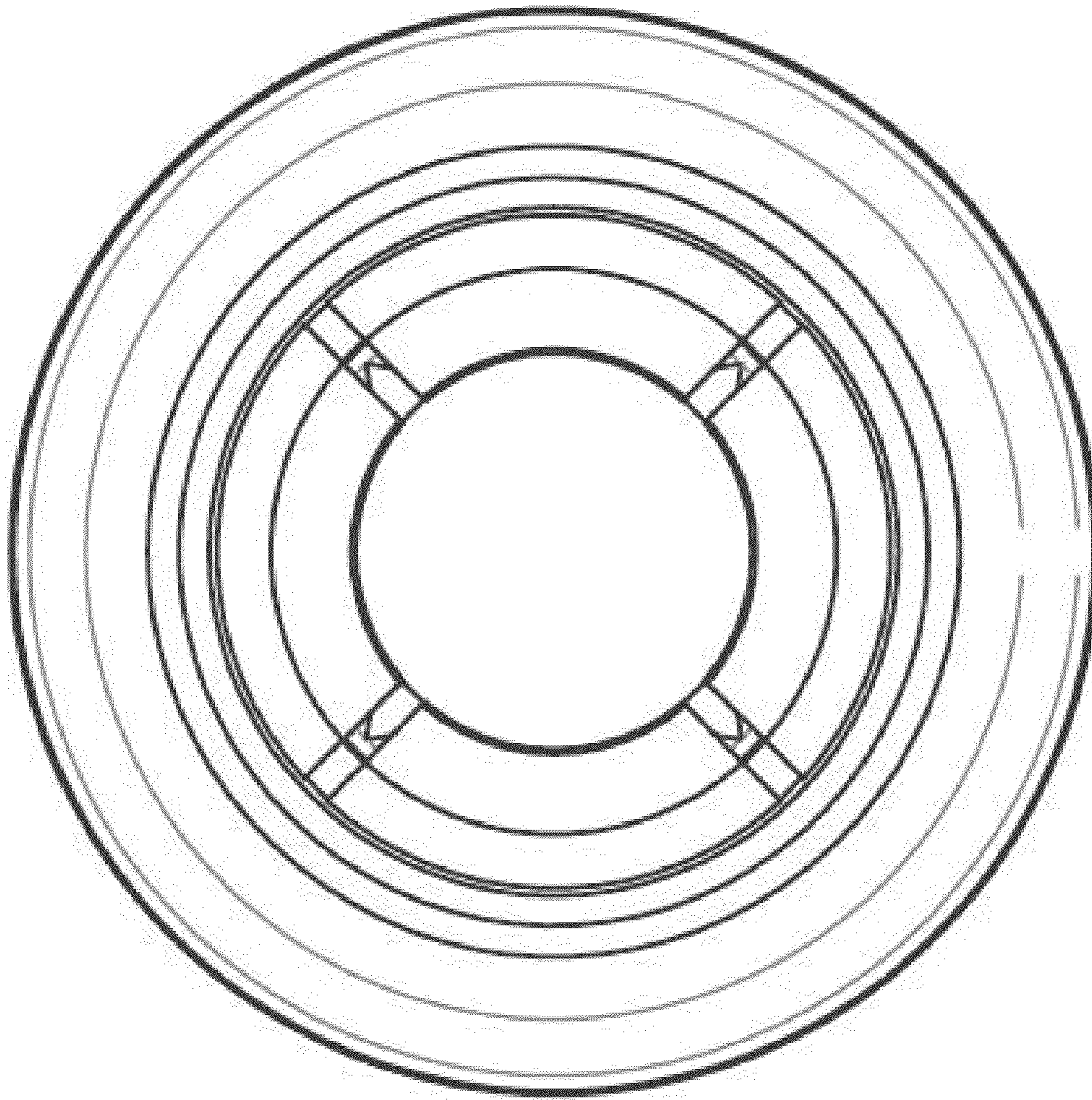
**Fig. 2**



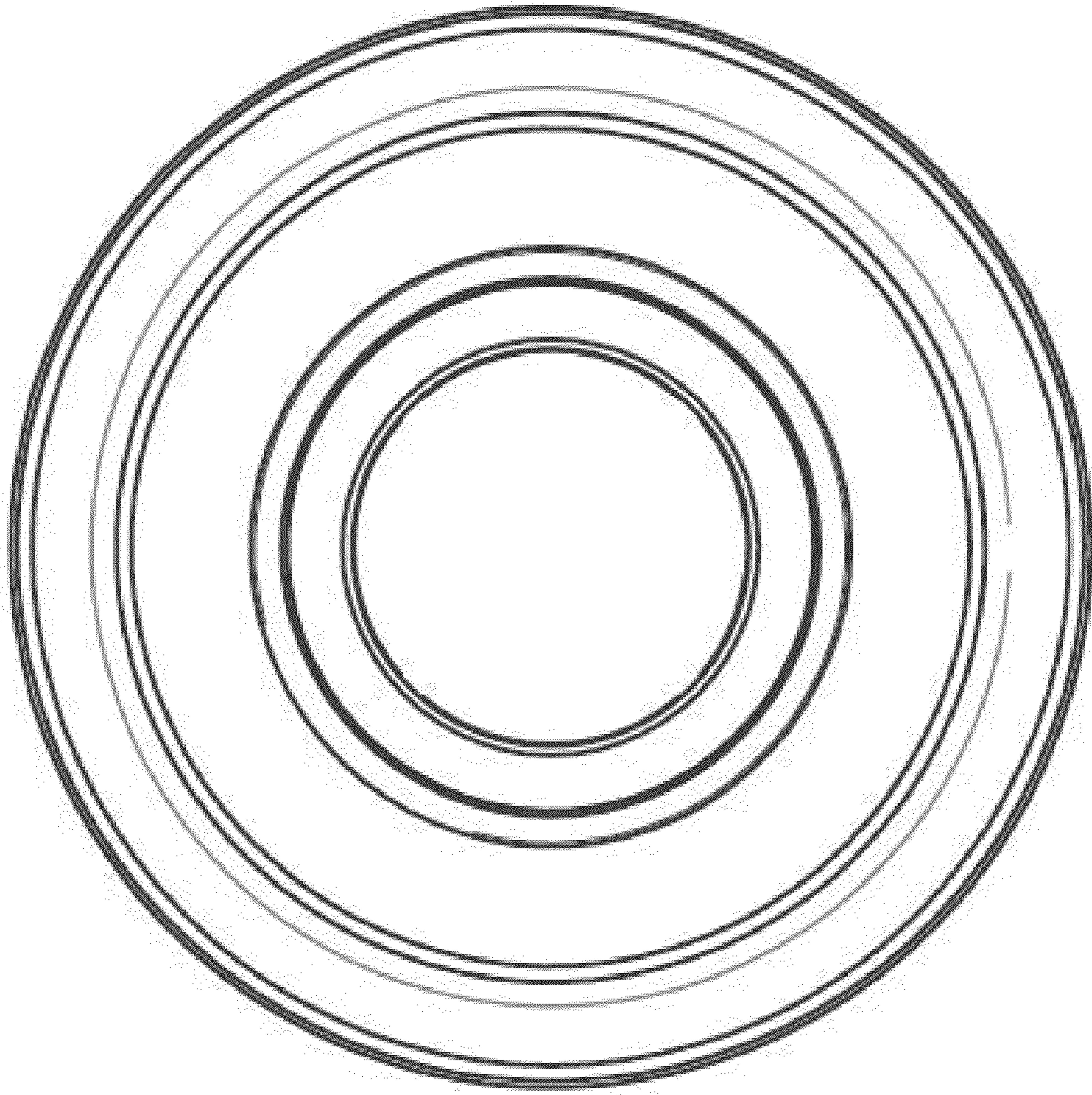
**Fig. 3**



**Fig. 4**



**Fig. 5**



**Fig. 6**