



US00D656804S

(12) **United States Design Patent**
Murray

(10) **Patent No.:** **US D656,804 S**
(45) **Date of Patent:** **** Apr. 3, 2012**

(54) **IMPACT DRIVER**

(75) Inventor: **Thomas W. Murray**, Baltimore, MD
(US)

(73) Assignee: **Black & Decker Inc.**, Newark, DE (US)

(**) Term: **14 Years**

(21) Appl. No.: **29/392,062**

(22) Filed: **May 17, 2011**

(51) **LOC (9) Cl.** **08-04**

(52) **U.S. Cl.** **D8/68**

(58) **Field of Classification Search** D8/61-70;
81/57.11, 429, 454-456, 469, 489; 173/13,
173/46, 104, 114, 167-173, 178, 201, 211,
173/213, 214, 217, 198; 227/8, 113, 114,
227/120, 130, 136, 142; 310/50; 408/20,
408/35, 117, 124, 125, 234, 241 R, 58, 67;
451/358; 7/158, 165

See application file for complete search history.

(56) **References Cited**

U.S. PATENT DOCUMENTS

D536,944 S * 2/2007 Tsai et al. D8/68
D554,962 S * 11/2007 Ino D8/68

D560,990 S * 2/2008 Aglassinger D8/68
D562,663 S * 2/2008 Wang D8/68
D585,714 S * 2/2009 Okuda et al. D8/68
D585,715 S * 2/2009 Okuda et al. D8/68
D628,038 S * 11/2010 Aoki et al. D8/68

* cited by examiner

Primary Examiner — Antoine D Davis

(74) *Attorney, Agent, or Firm* — Stephen R. Valancius

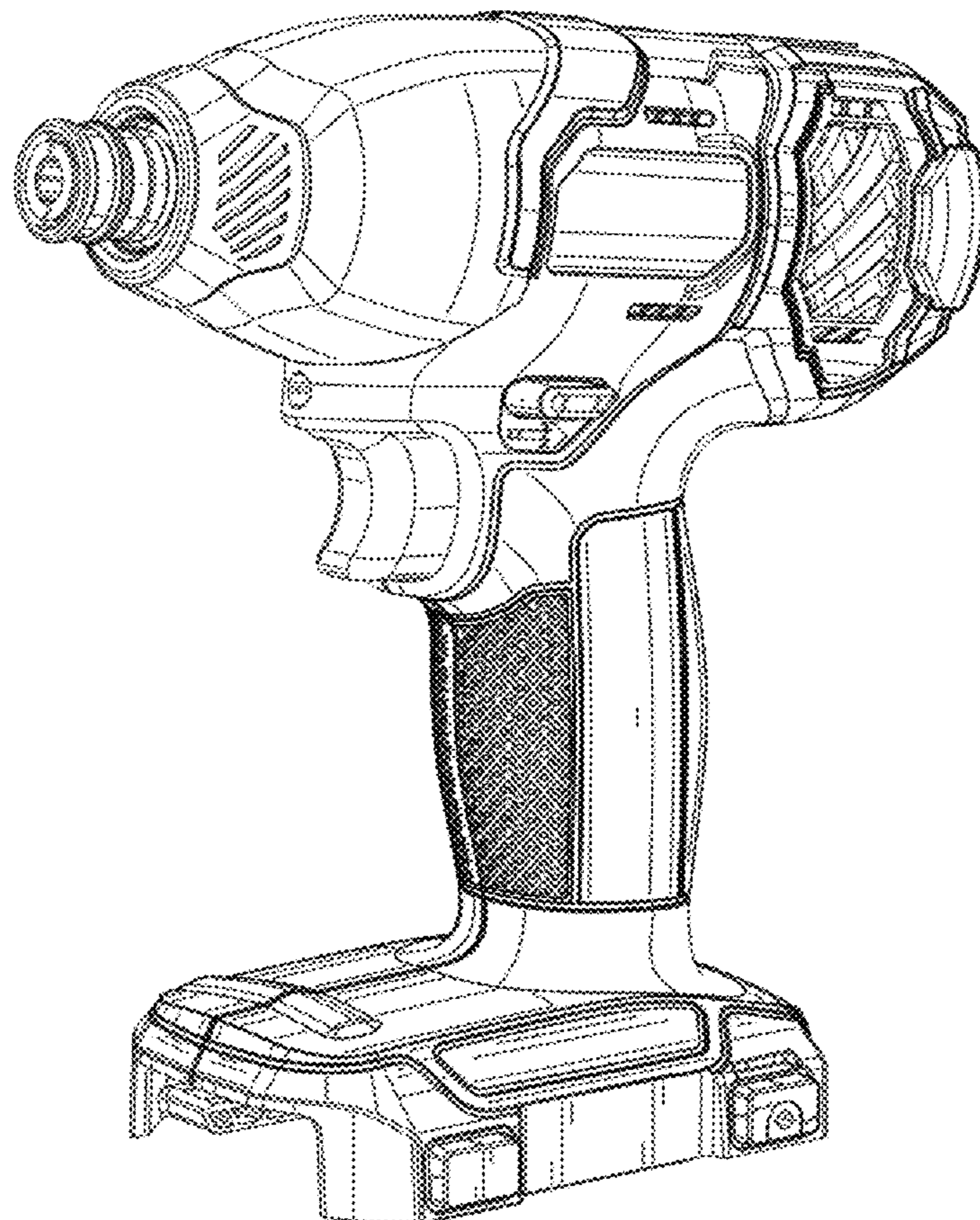
(57) **CLAIM**

The ornamental design for an impact driver, as shown and described.

DESCRIPTION

FIG. 1 is a perspective view of an impact driver according to the present invention;
FIG. 2 is a front view of the impact driver of FIG. 1;
FIG. 3 is a back view of the impact driver of FIG. 1;
FIG. 4 is a right side view of the impact driver of FIG. 1;
FIG. 5 is a left side view of the impact driver of FIG. 1;
FIG. 6 is a top view of the impact driver of FIG. 1; and,
FIG. 7 is a bottom view of the impact driver of FIG. 1.
The broken lines in the figures illustrate features that form no part of the claimed design.

1 Claim, 7 Drawing Sheets



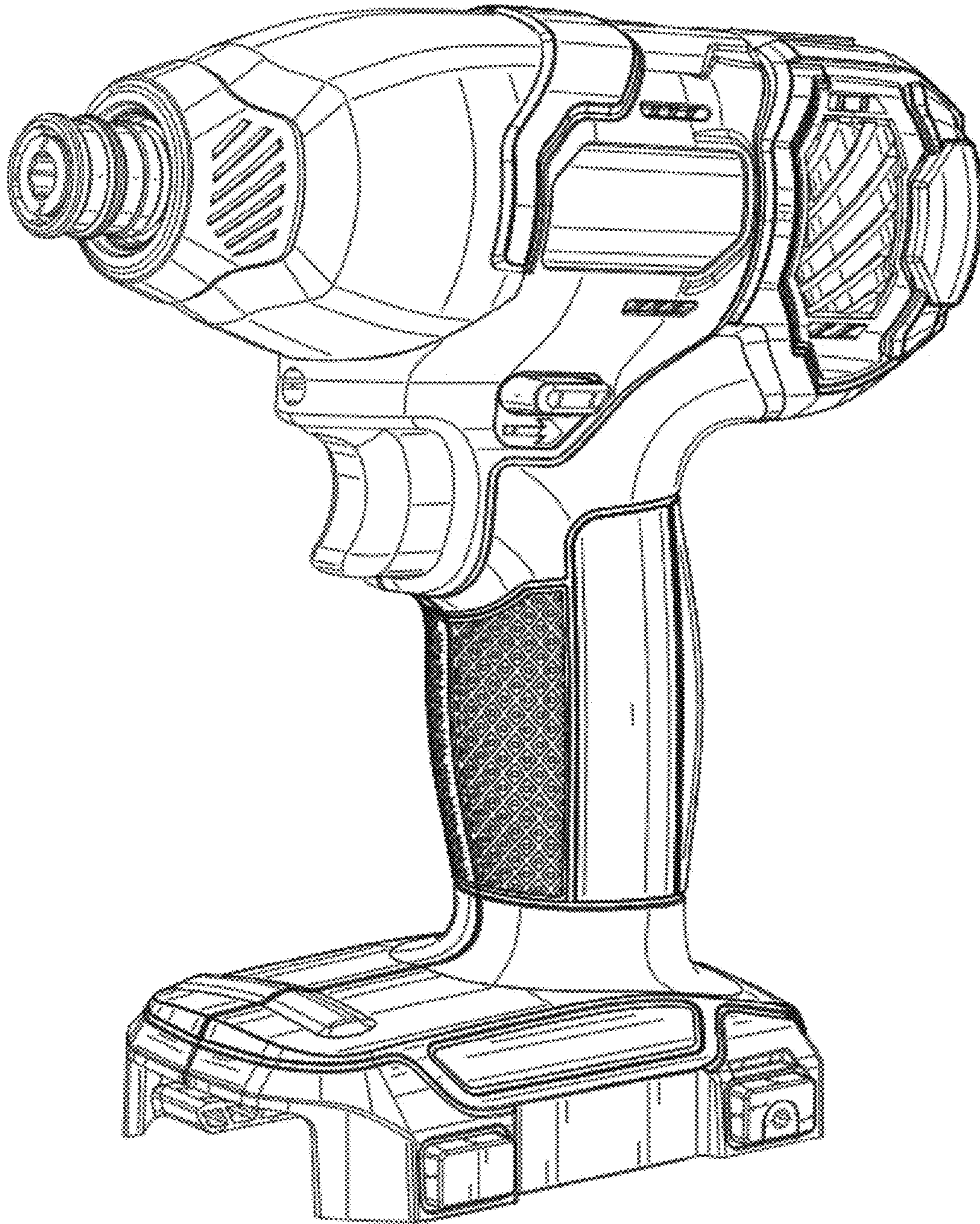


FIG. 1

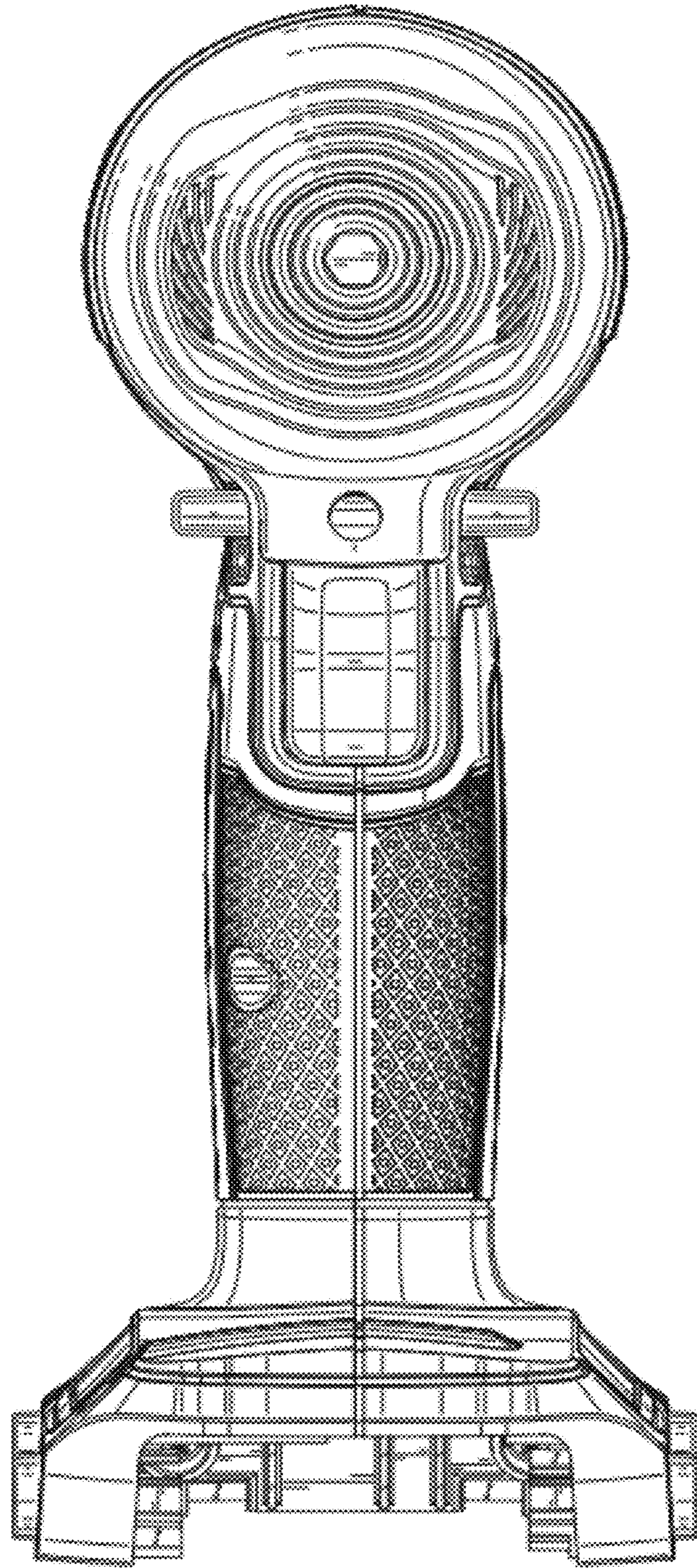


FIG. 2

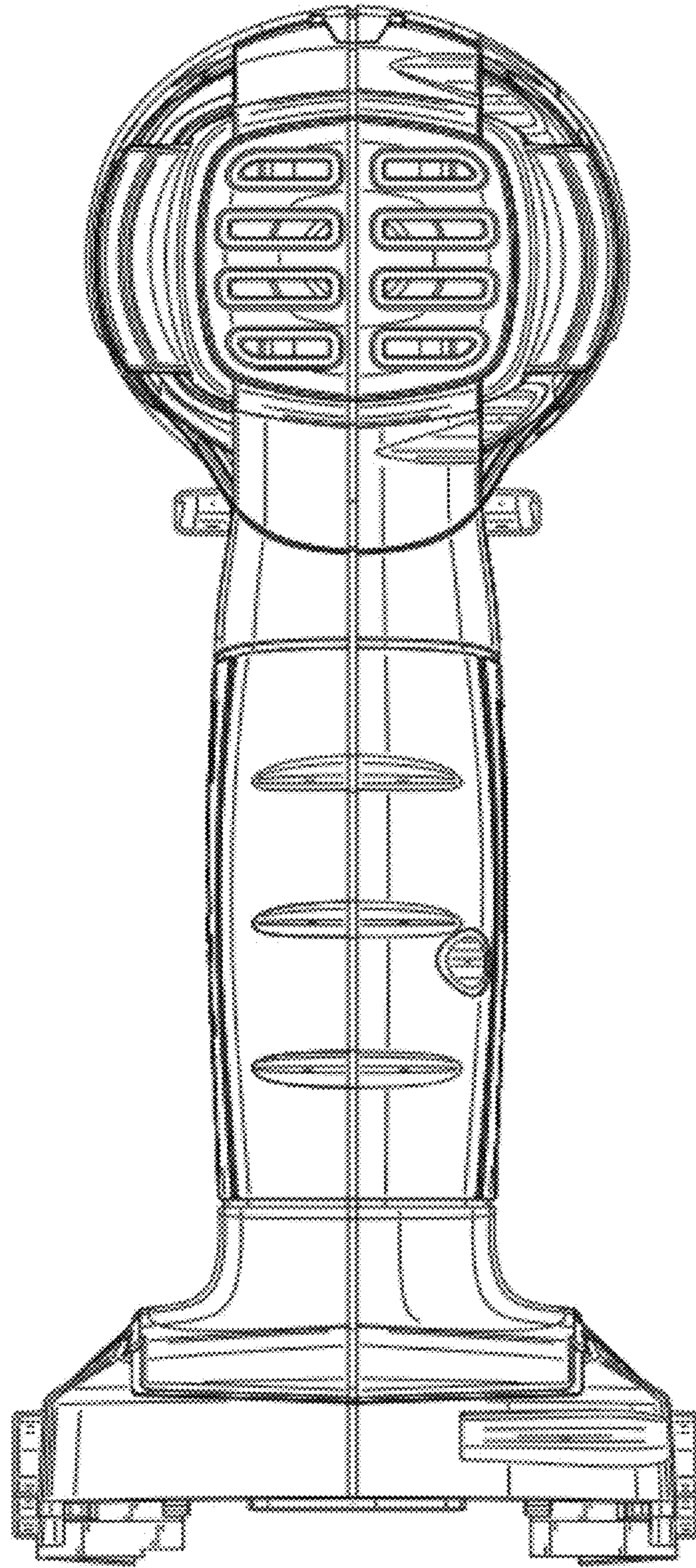


FIG. 3

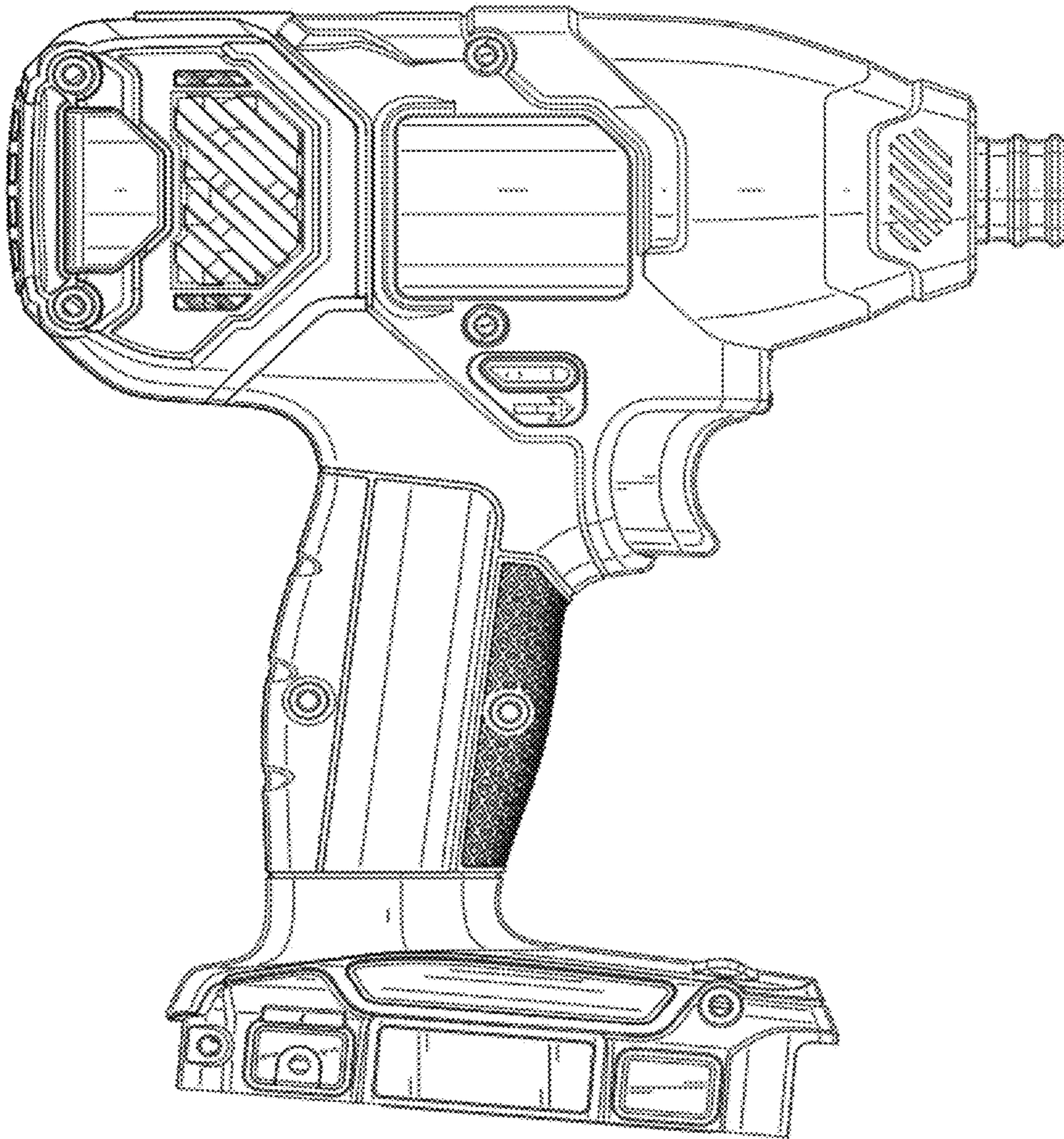


FIG. 4

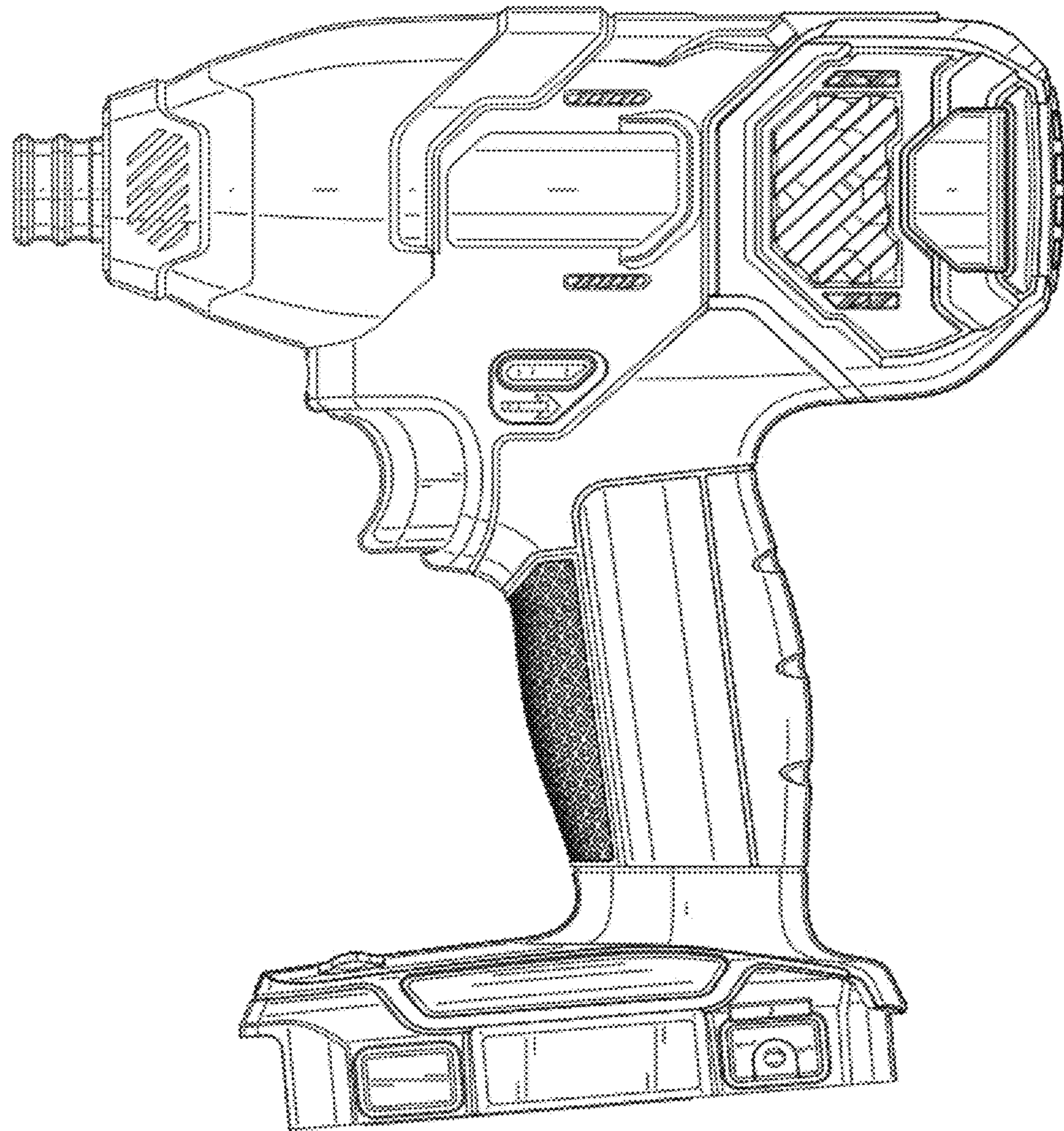


FIG. 5

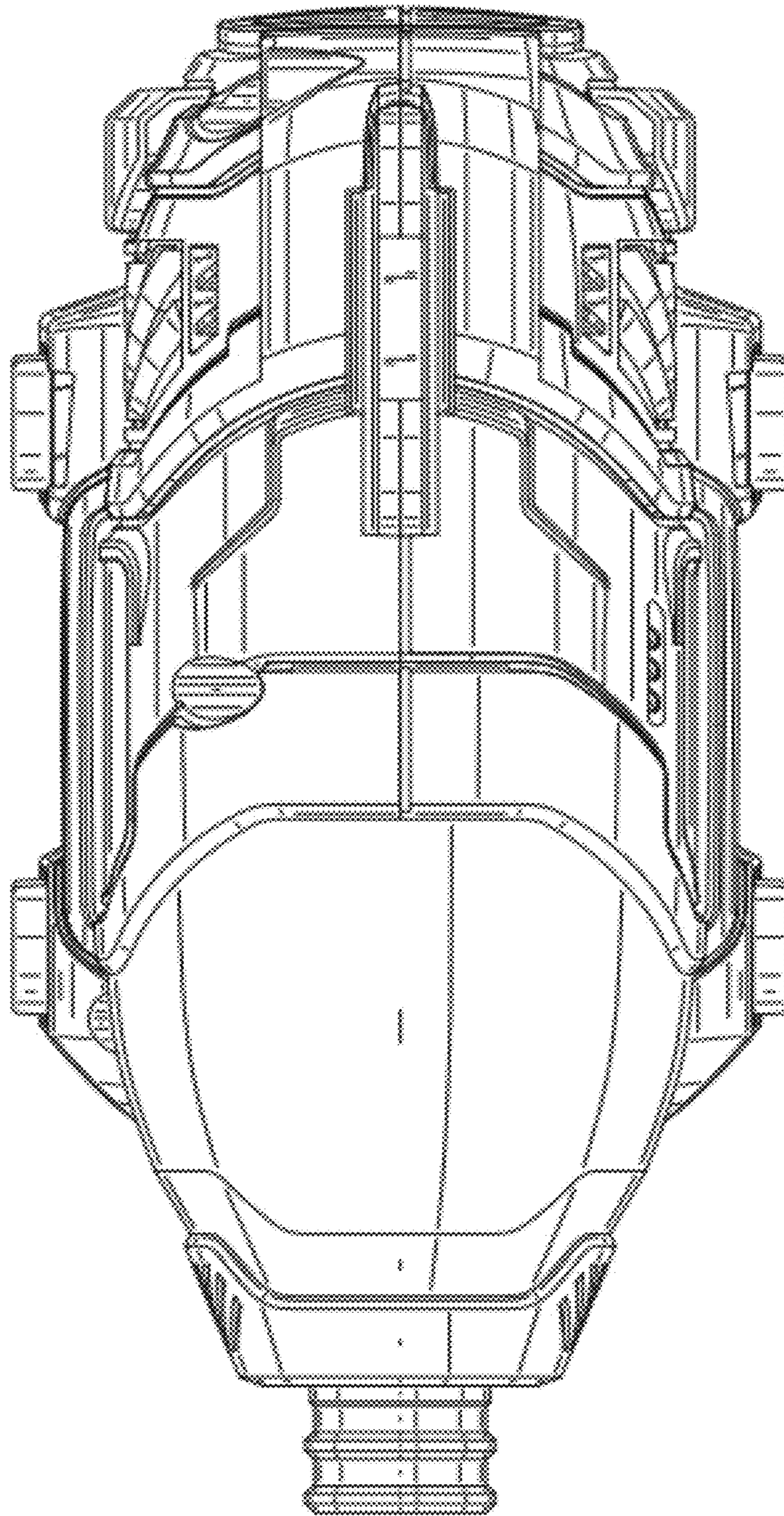


FIG. 6

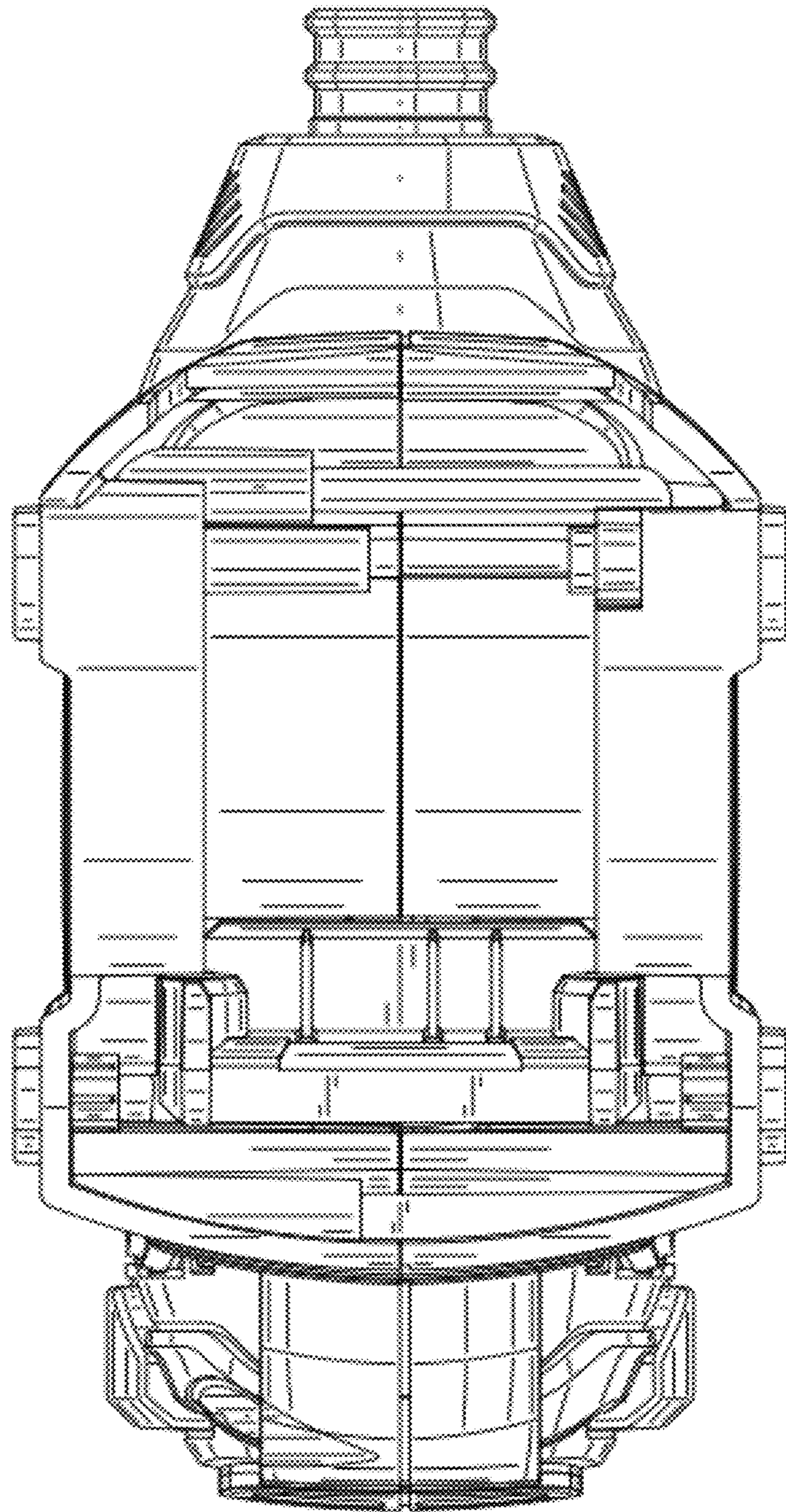


FIG. 7