



US00D656801S

(12) **United States Design Patent**
Pickett

(10) **Patent No.:** **US D656,801 S**

(45) **Date of Patent:** **** Apr. 3, 2012**

(54) **COCONUT PUNCH**

(76) Inventor: **Thomas S. Pickett**, Kilauea, HI (US)

(**) Term: **14 Years**

(21) Appl. No.: **29/378,045**

(22) Filed: **Oct. 28, 2010**

(51) **LOC (9) Cl.** **07-06**

(52) **U.S. Cl.** **D7/683**

(58) **Field of Classification Search** D7/368,
D7/669, 671, 678, 683, 684, 381, 382, 393,
D7/395, 635, 636, 665, 372; D8/47, 82,
D8/83, 107; D28/65; 99/419, 421 A, 421 H,
99/441; 132/321-329; 294/5, 14, 26, 50,
294/61, 55.5, 182; 426/523

See application file for complete search history.

(56) **References Cited**

U.S. PATENT DOCUMENTS

D22,633	S	*	7/1893	Hutchinson	D8/83
D23,138	S	*	3/1894	Fox	D7/671
1,154,375	A	*	9/1915	Church	76/84
1,442,181	A	*	1/1923	Simon	81/436
1,711,062	A	*	4/1929	Purinton	72/479
1,739,457	A	*	12/1929	Harrison	81/3.57
D92,176	S	*	5/1934	Hughes	D7/671
1,988,807	A	*	1/1935	Pierson	30/164.5
2,215,492	A	*	9/1940	Zimmer	30/142
2,602,391	A	*	7/1952	Pedranti et al.	99/345
D172,855	S	*	8/1954	Withers	D7/683
D174,292	S	*	3/1955	Perez	D7/683
2,804,819	A	*	9/1957	Whealton	99/441
3,217,635	A	*	11/1965	Scavullo	99/419
D228,949	S	*	10/1973	Schwartztein	D10/57
D231,890	S	*	6/1974	Kritkauskys	D7/683
D240,108	S	*	6/1976	McGrew	D8/14

4,129,066	A	*	12/1978	Corley	99/345
D261,610	S	*	11/1981	Fee et al.	D8/82
D304,858	S	*	11/1989	Tofft	D24/147
5,495,794	A	*	3/1996	Ulysse	99/419
D399,109	S	*	10/1998	Williams	D8/47
5,934,187	A	*	8/1999	Leon	99/516
D425,773	S	*	5/2000	Pathfinder	D8/82
D450,985	S	*	11/2001	Kiehl	D8/14
D455,944	S	*	4/2002	Chen	D8/107
D479,444	S	*	9/2003	Conigliaro	D7/683
D482,938	S	*	12/2003	Renault	D7/683
D513,573	S	*	1/2006	Settele	D7/683
7,401,409	B2	*	7/2008	Jenkins et al.	30/366
D622,557	S	*	8/2010	Kerulis et al.	D7/683
D625,157	S	*	10/2010	Blier et al.	D7/683
D640,087	S	*	6/2011	Tanaka	D7/368

* cited by examiner

Primary Examiner — Elizabeth J Oswecki

(74) *Attorney, Agent, or Firm* — QuickPatents, Inc.; Kevin Prince

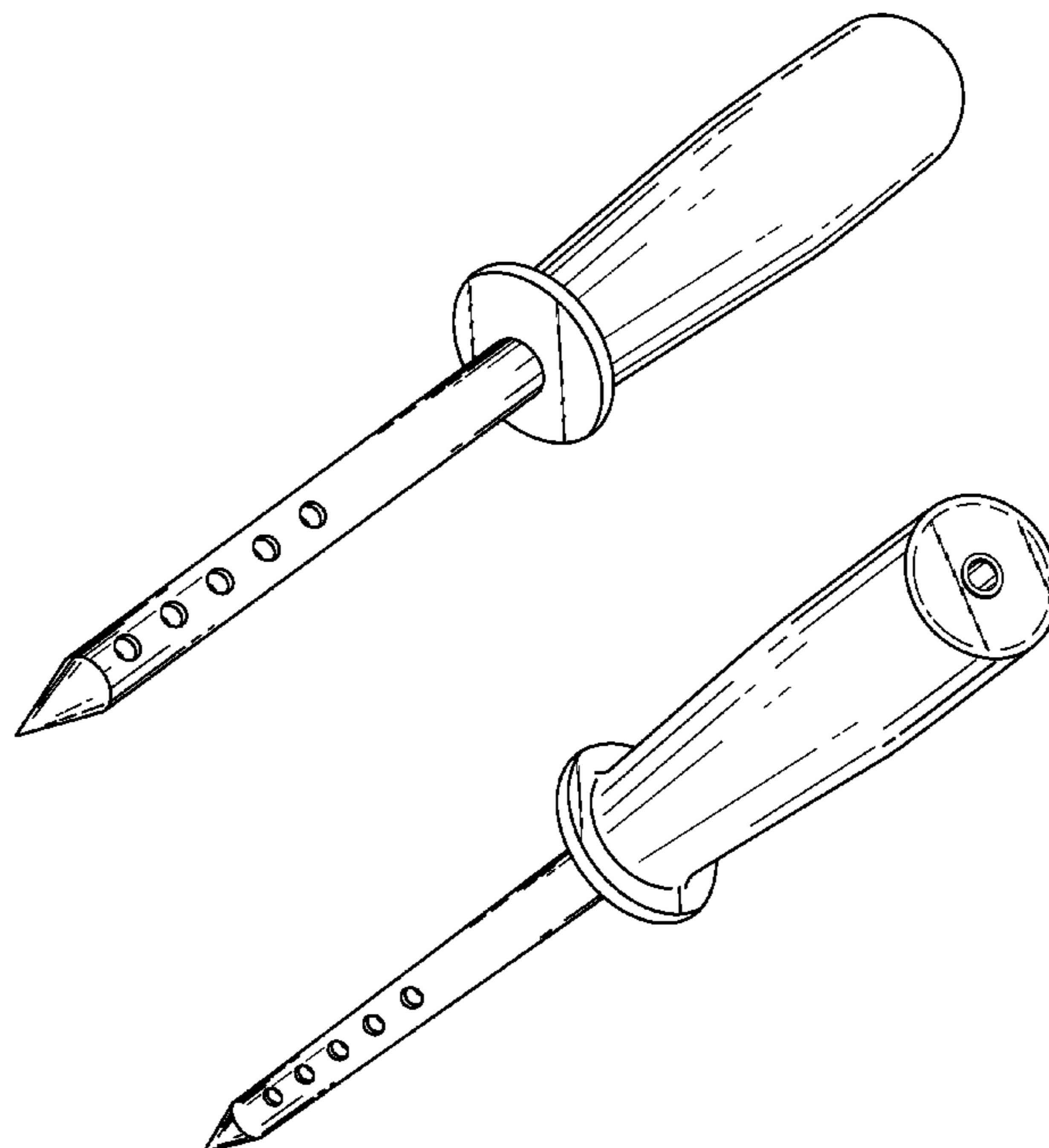
(57) **CLAIM**

What is claimed is the ornamental design for a coconut punch, as shown and described.

DESCRIPTION

FIG. 1 is a front perspective view of a coconut punch, showing the new design;
FIG. 2 is a rear perspective view thereof;
FIG. 3 is a front elevational view thereof;
FIG. 4 is a rear elevational view thereof;
FIG. 5 is a left-side elevational view thereof, the right-side elevational view being a mirror image thereof; and,
FIG. 6 is a top plan view thereof, the bottom plan view being a mirror image thereof.

1 Claim, 3 Drawing Sheets



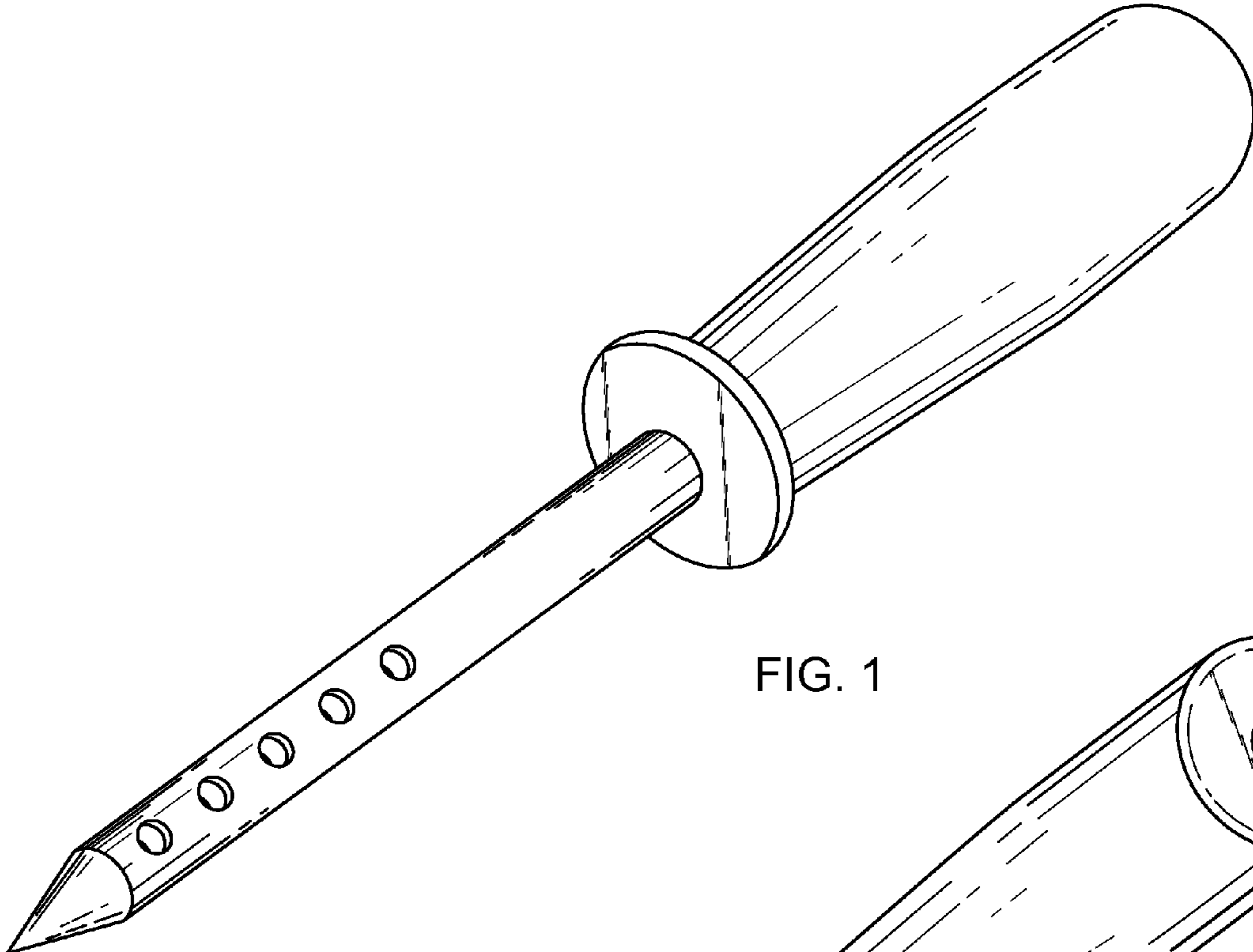


FIG. 1

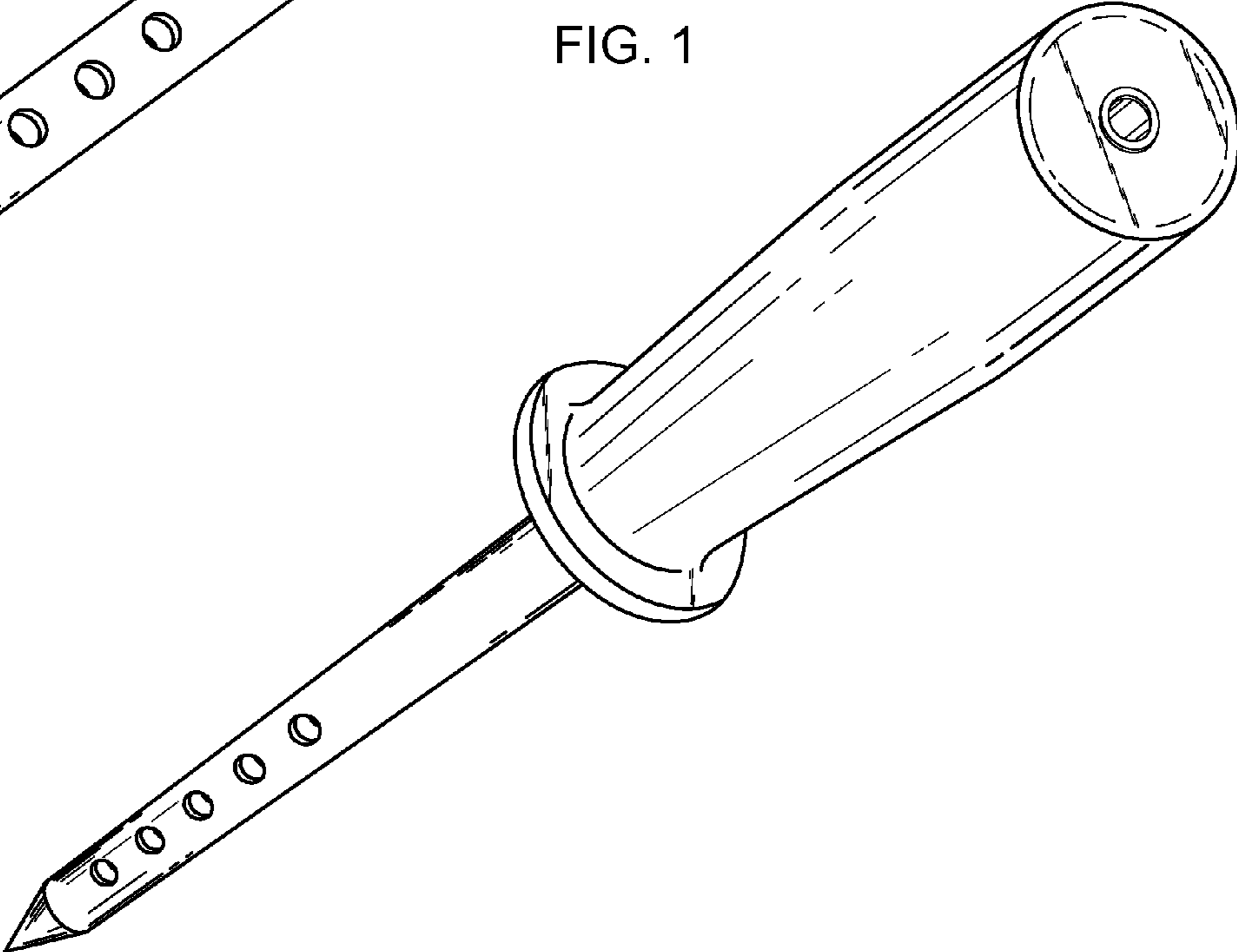


FIG. 2

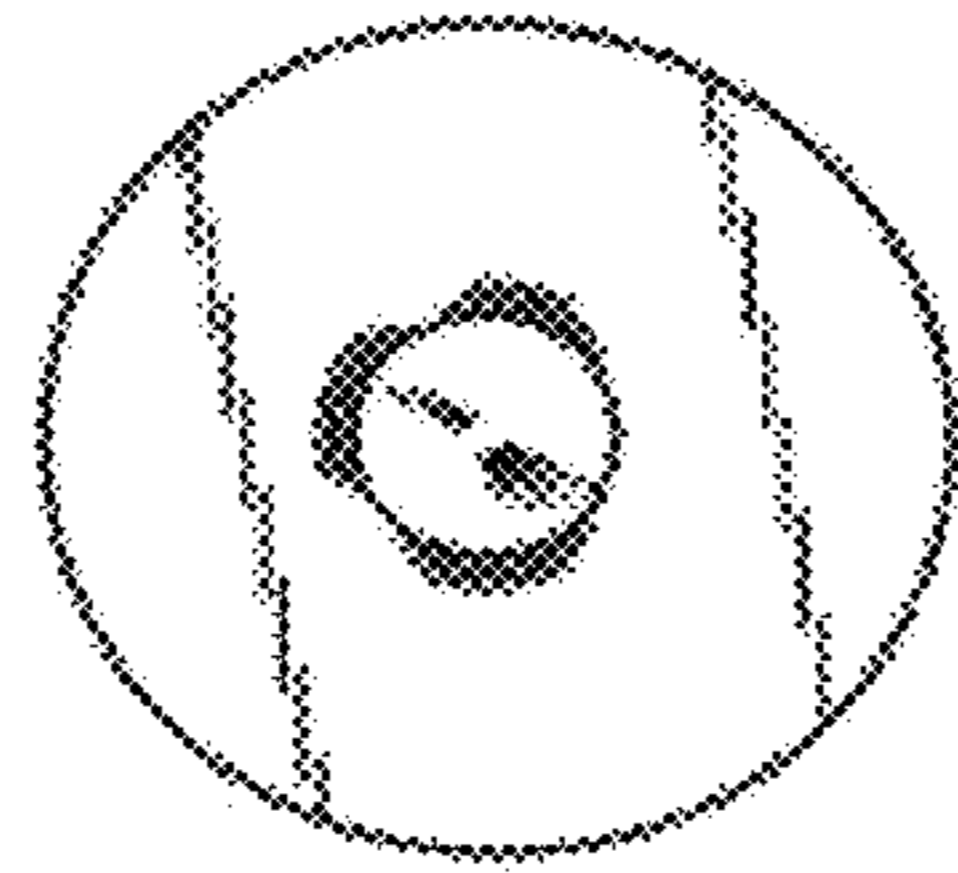


FIG. 3

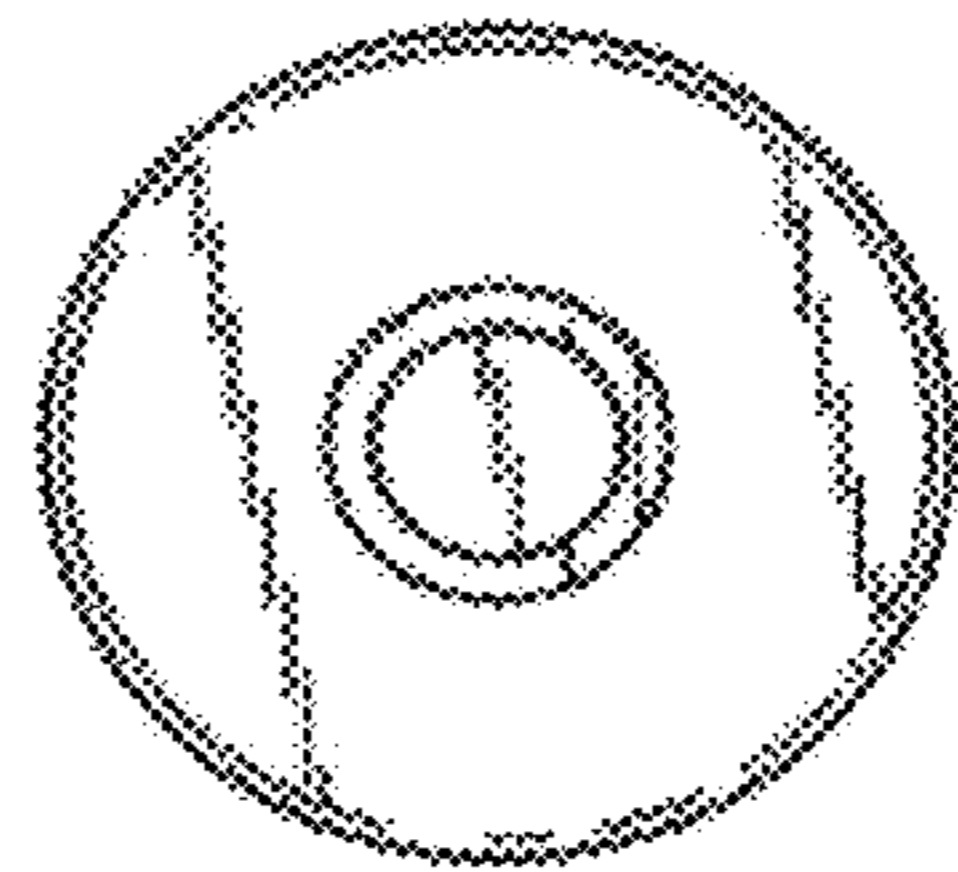


FIG. 4

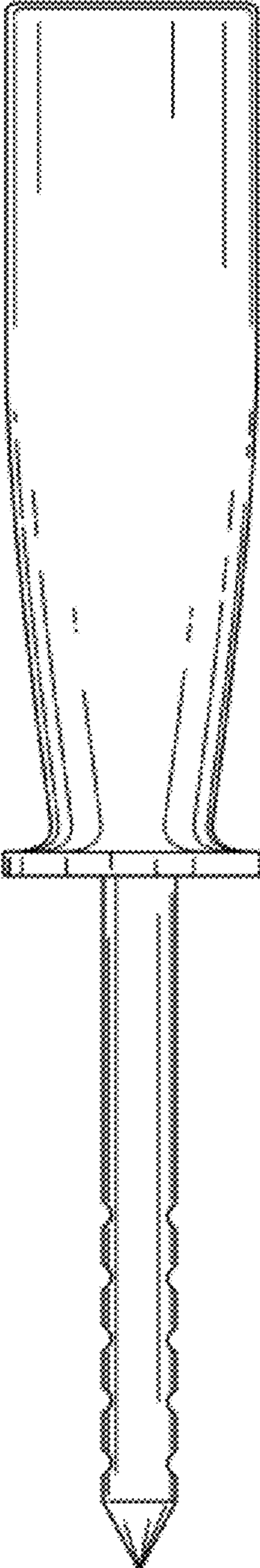


FIG. 5

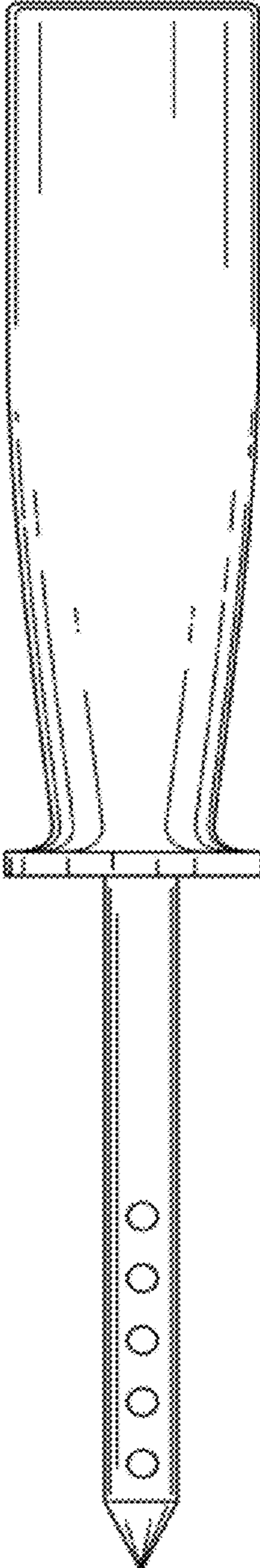


FIG. 6