



US00D656794S

(12) **United States Design Patent**  
**Goodman et al.**

(10) **Patent No.:** **US D656,794 S**  
(45) **Date of Patent:** **\*\* Apr. 3, 2012**

(54) **DRINK POD HOLDER**

(75) Inventors: **Sheldon H. Goodman**, Solon, OH (US);  
**Elizabeth A. Cho**, Strongsville, OH  
(US)

(73) Assignee: **Spectrum Diversified Designs, Inc.**,  
Streetsboro, OH (US)

(\*\*) Term: **14 Years**

(21) Appl. No.: **29/393,758**

(22) Filed: **Jun. 9, 2011**

(51) **LOC (9) Cl.** ..... **07-06**

(52) **U.S. Cl.** ..... **D7/600.1; D7/704**

(58) **Field of Classification Search** ..... D7/600.1-600.4,  
D7/701-708; D6/462-469, 449, 514; 211/71.01,  
211/74, 70.6, 70.7, 181.1

See application file for complete search history.

(56) **References Cited**

U.S. PATENT DOCUMENTS

4,378,889 A \* 4/1983 Lebowitz ..... 211/75  
D278,773 S \* 5/1985 Licari et al. .... D6/462  
D323,600 S \* 2/1992 Patke ..... D7/704

D424,383 S \* 5/2000 Howitt et al. .... D7/600.4  
D528,381 S \* 9/2006 Clark ..... D7/704  
7,832,572 B2 \* 11/2010 Wyatt et al. .... 211/189

\* cited by examiner

*Primary Examiner* — Terry Wallace

(74) *Attorney, Agent, or Firm* — Pearne & Gordon LLP

(57) **CLAIM**

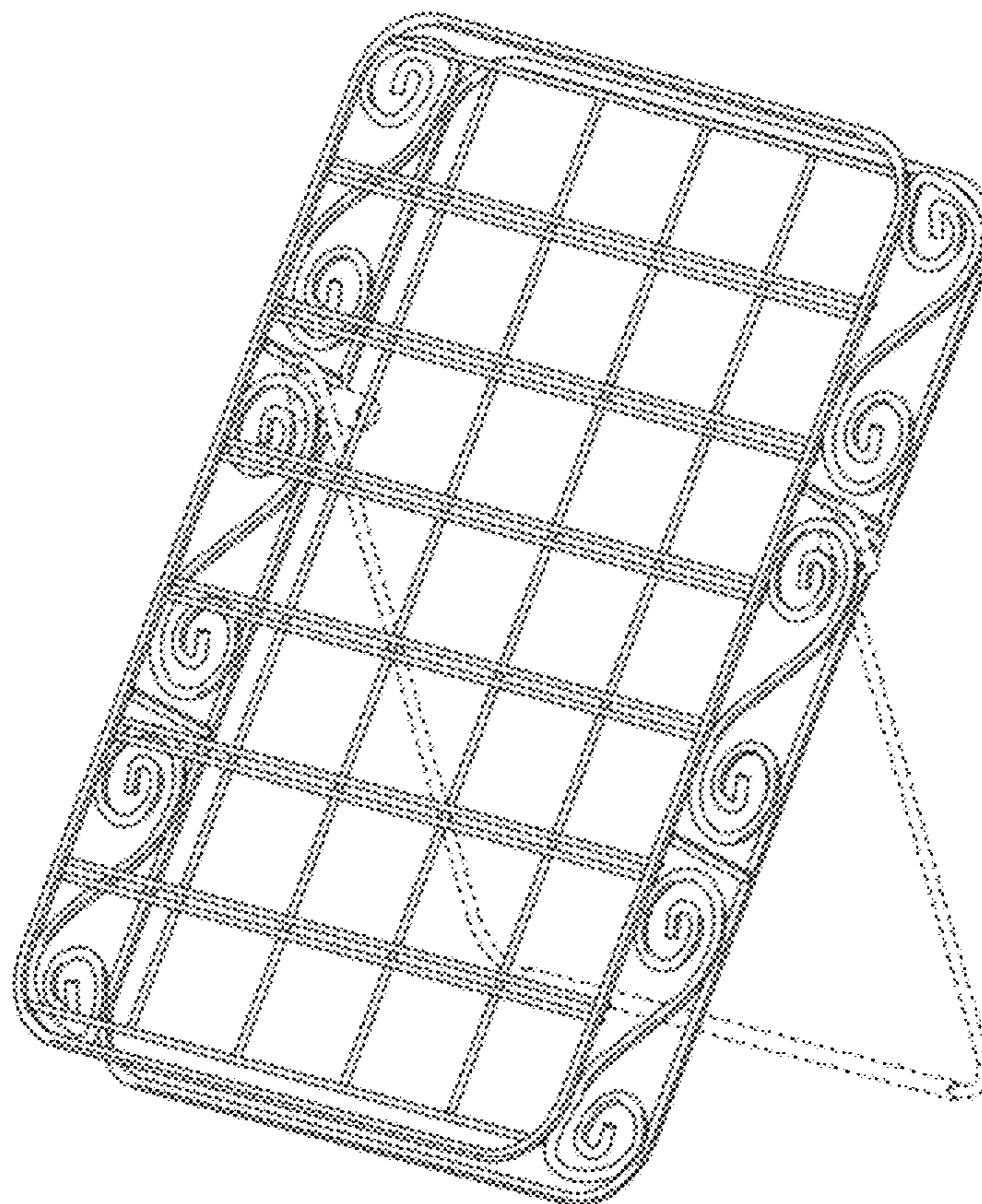
The ornamental design for a drink pod holder, as shown and described.

**DESCRIPTION**

FIG. 1 is a perspective view of a drink pod holder for coffee pods showing our new design;  
FIG. 2 is a top plan view thereof;  
FIG. 3 is a front elevational view thereof;  
FIG. 4 is a side elevational view thereof;  
FIG. 5 is a rear elevational view thereof;  
FIG. 6 is a bottom plan view thereof; and,  
FIG. 7 is a perspective view of the drink pod holder of FIG. 1 having an indeterminate height and width and number of holders identically spaced and arranged in the same repeating array as in FIG. 1.

The dotted-line showing in the drawings illustrates environmental matter and forms no part of the claimed design.

**1 Claim, 4 Drawing Sheets**



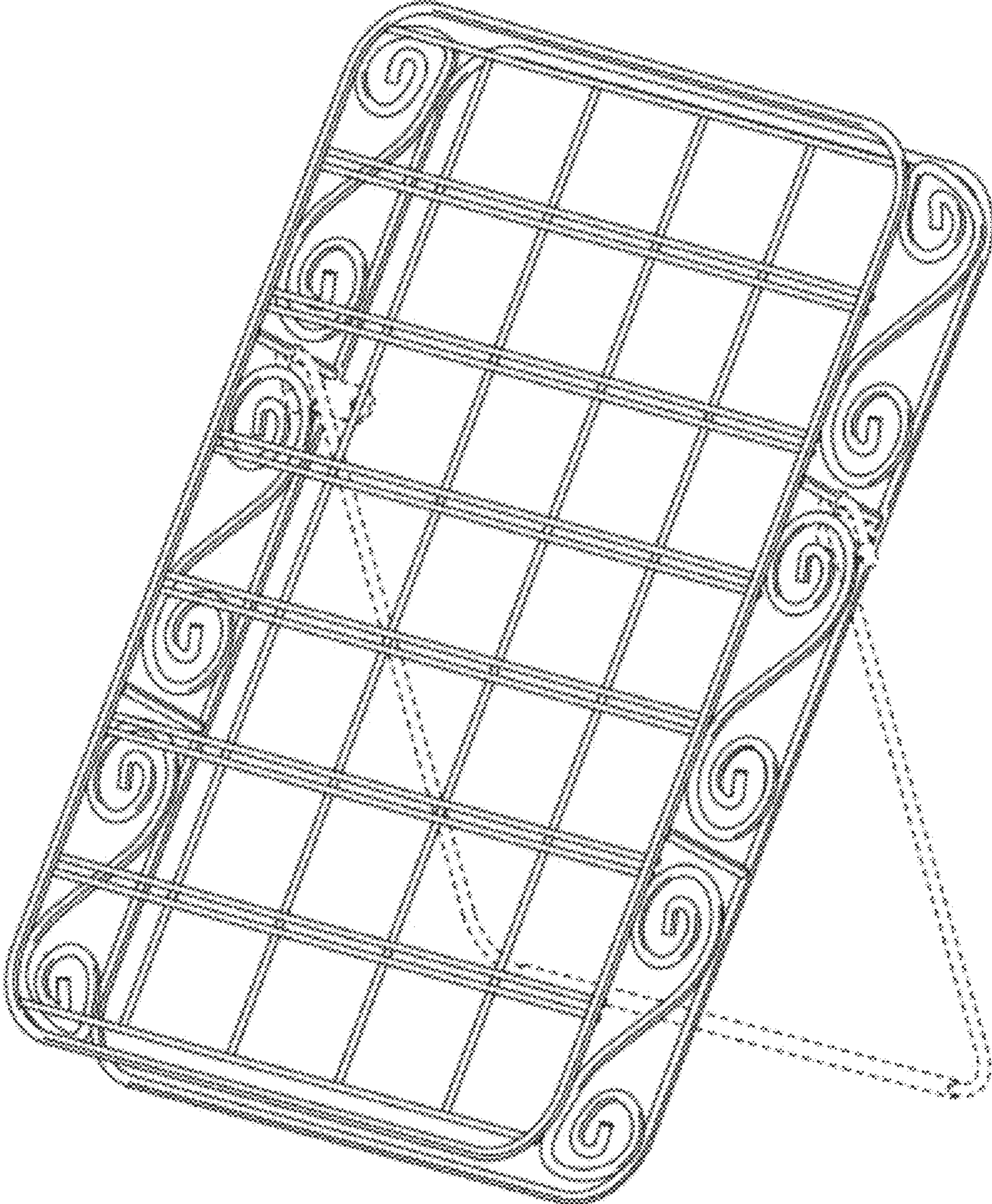


FIG. 1

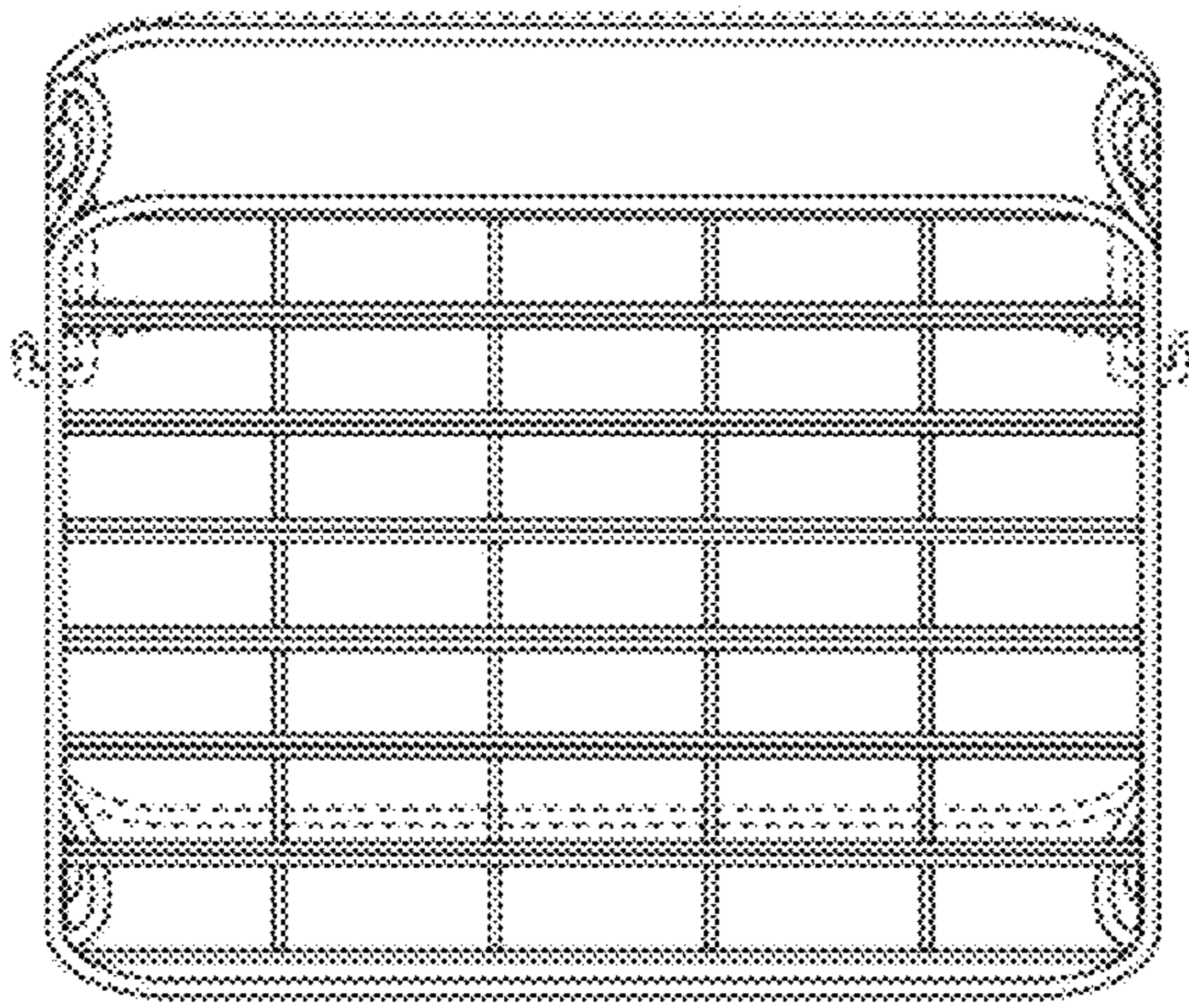


FIG. 2

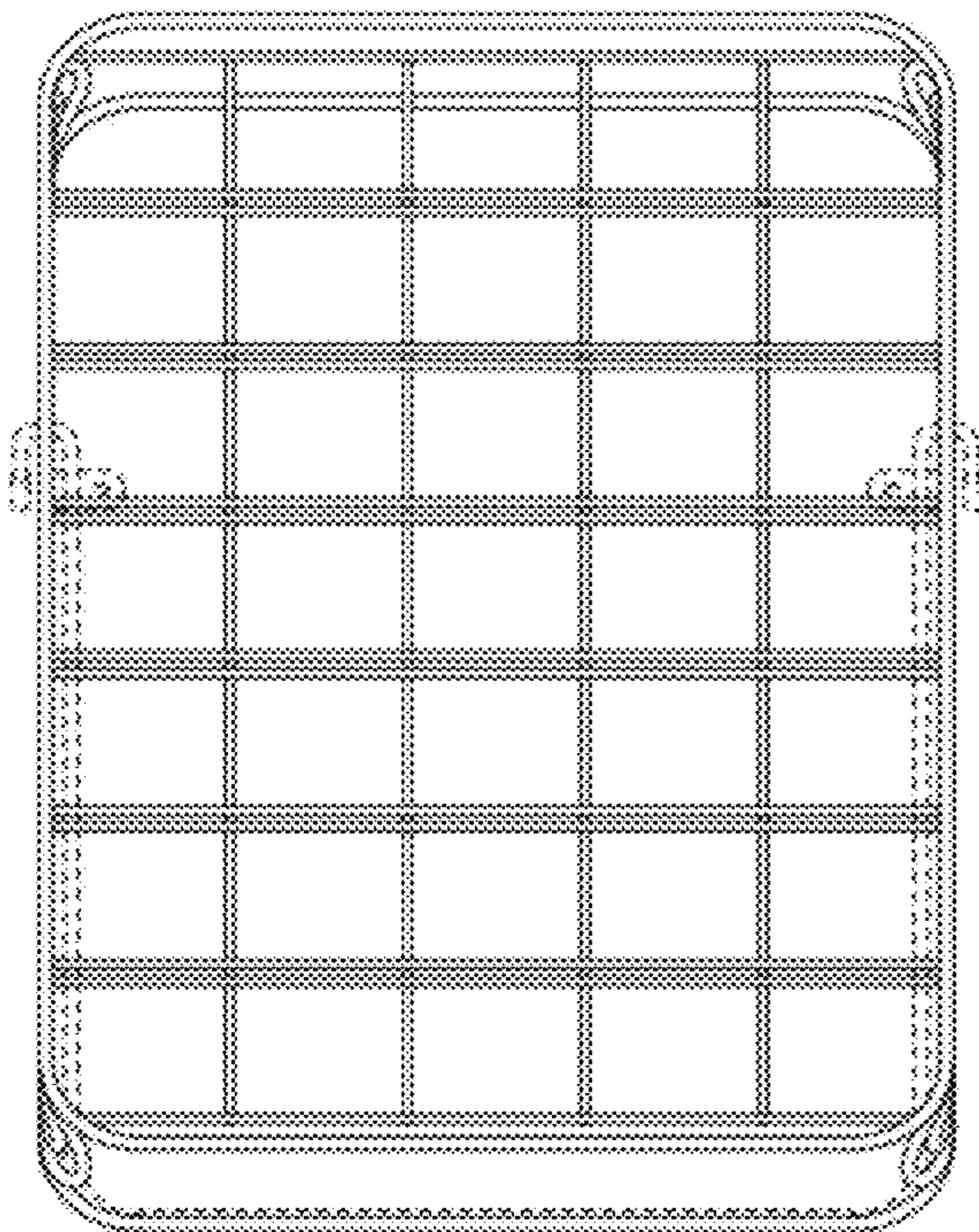


FIG. 3

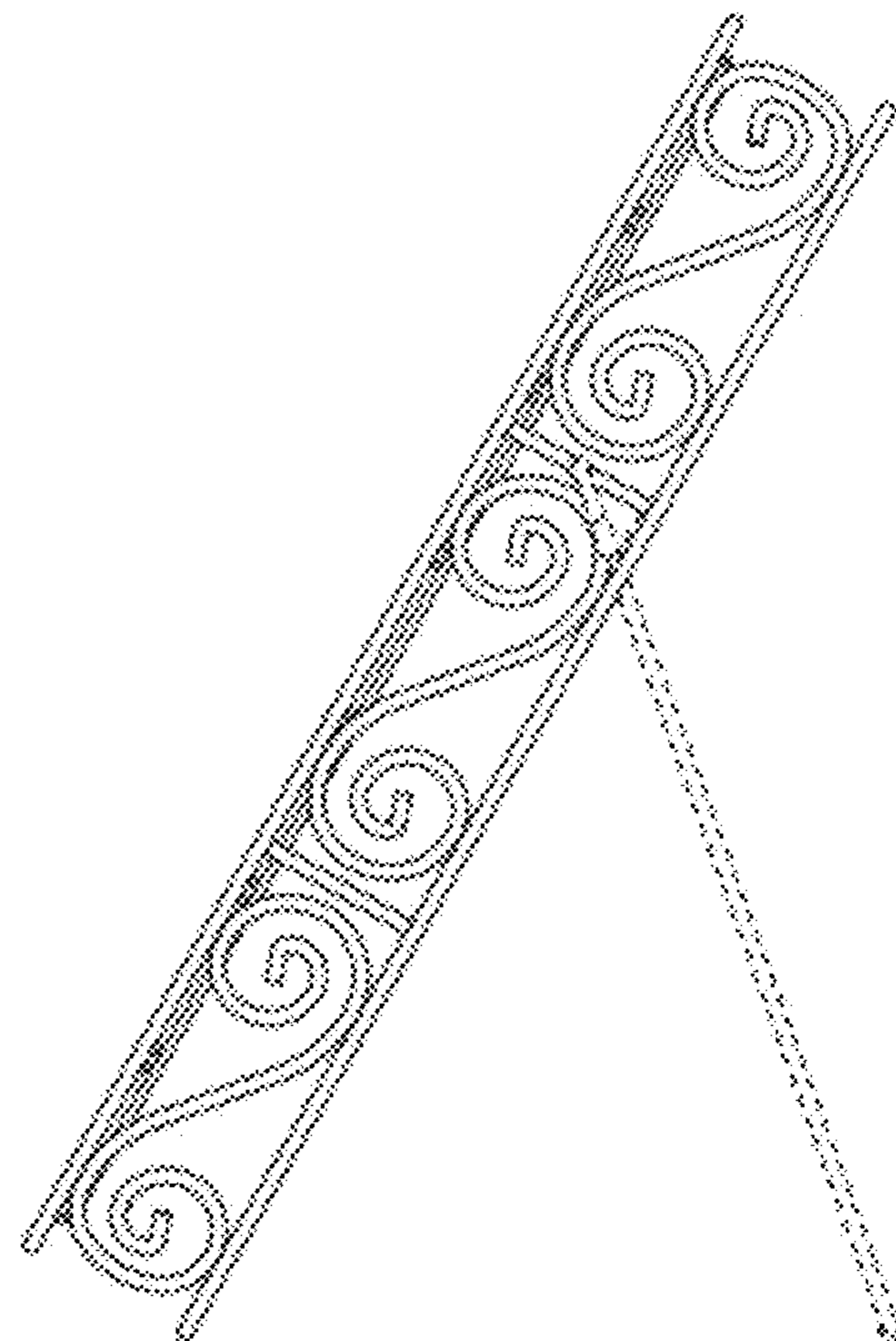
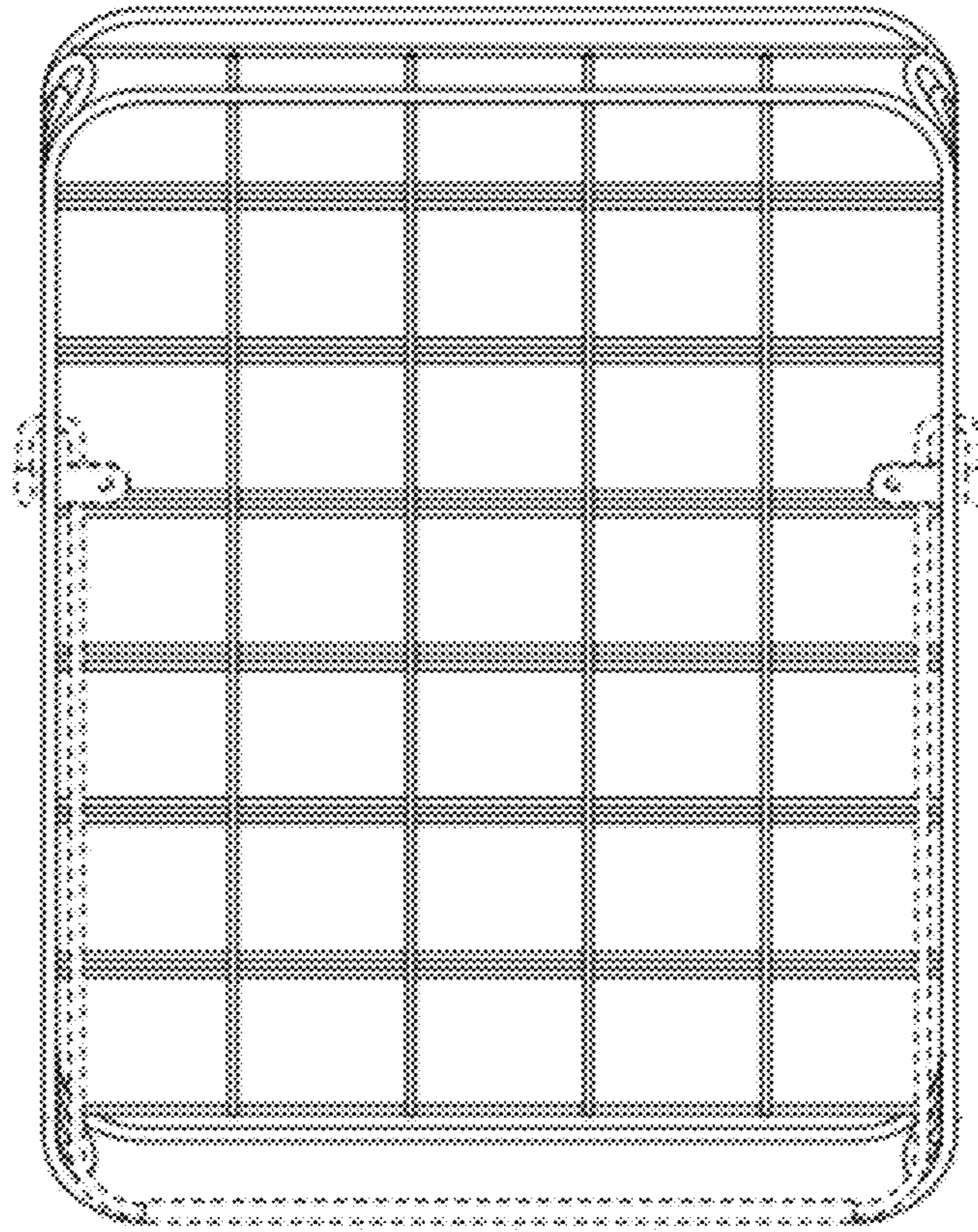
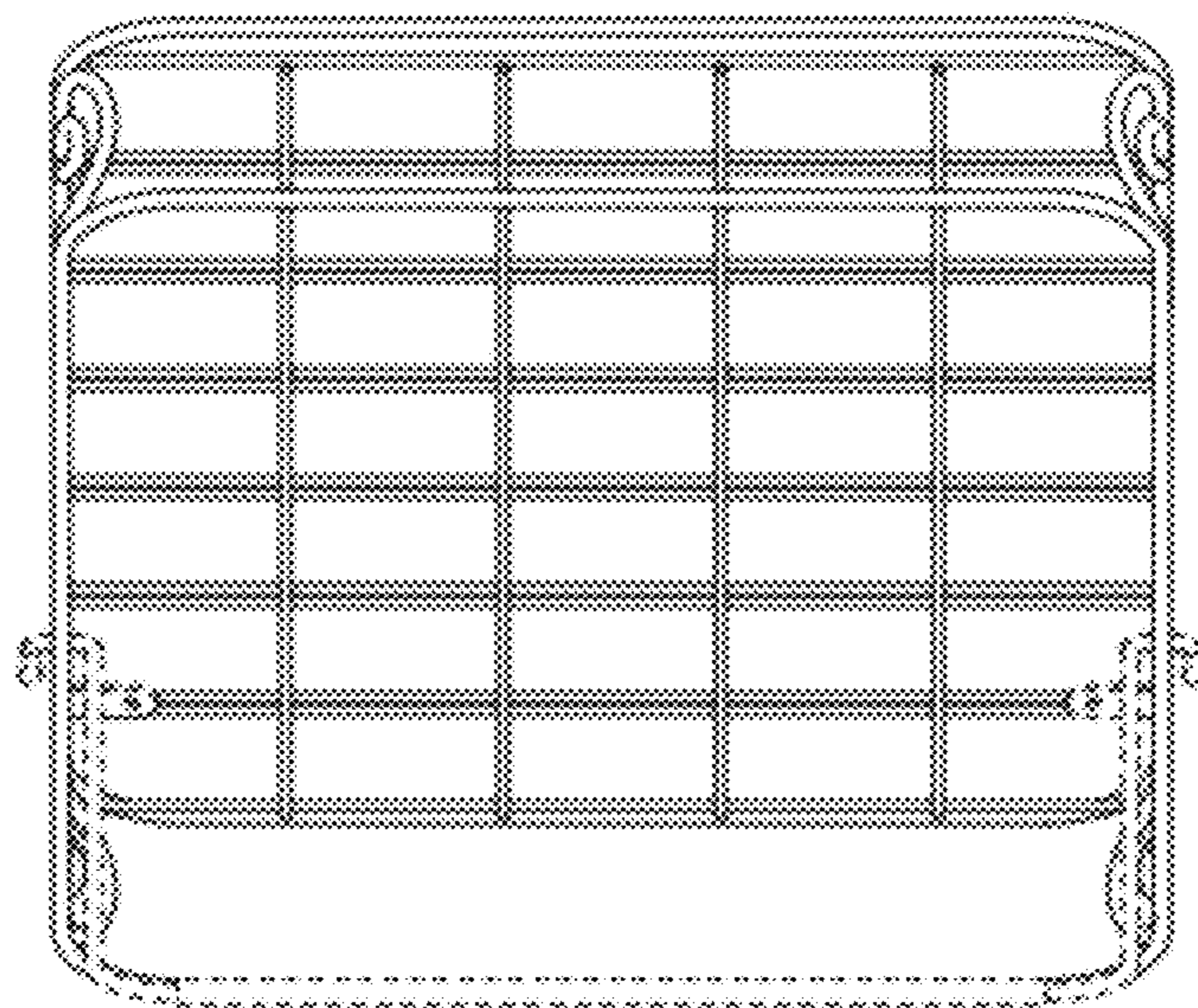


FIG. 4



**FIG. 5**



**FIG. 6**

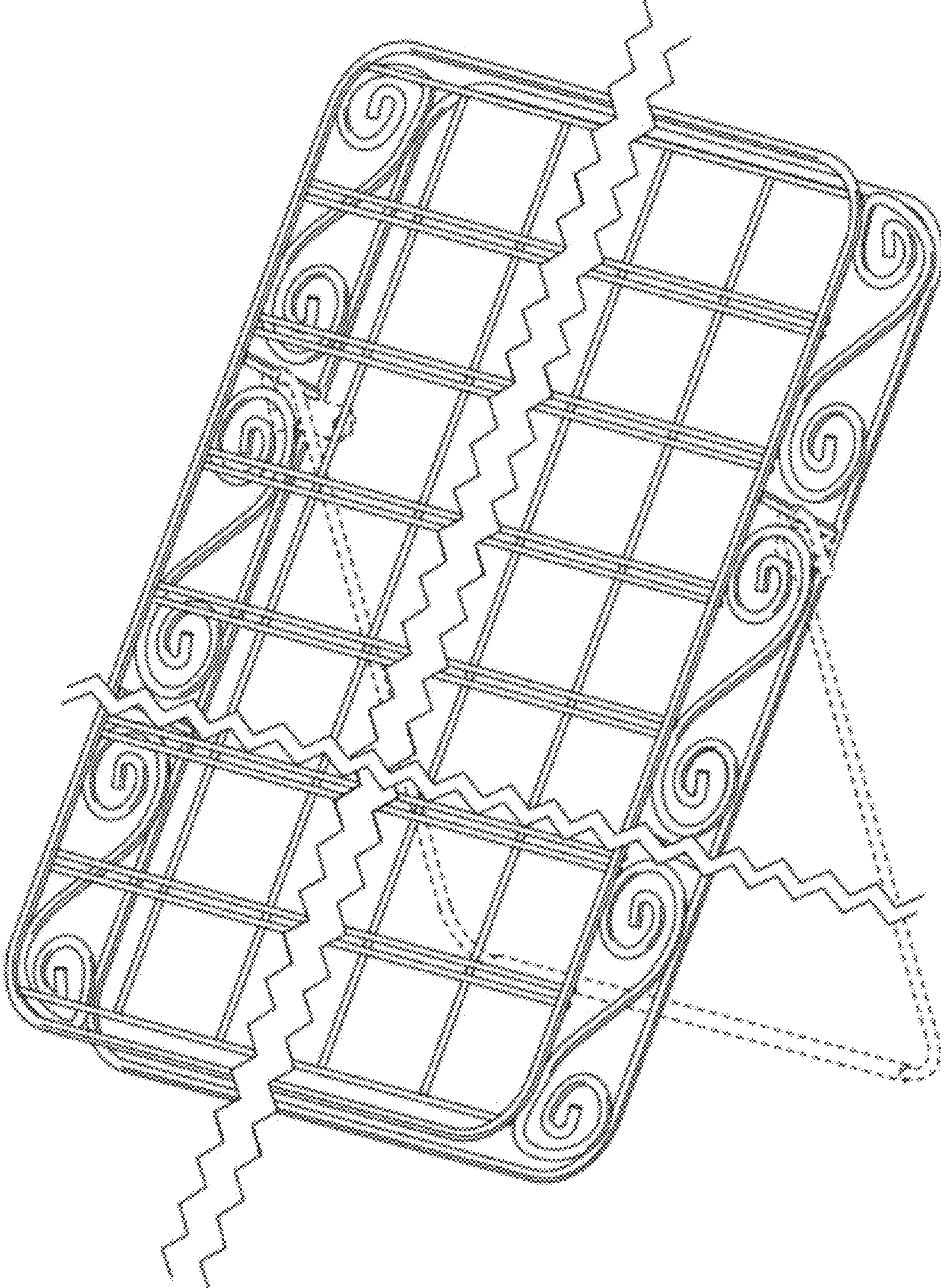


FIG. 7