



US00D656793S

(12) **United States Design Patent**  
**Mastroianni**

(10) **Patent No.:** **US D656,793 S**

(45) **Date of Patent:** **\*\* Apr. 3, 2012**

(54) **TILTED PLATE**

(76) Inventor: **Vince Mastroianni**, Arlington, VA (US)

(\*\*) Term: **14 Years**

(21) Appl. No.: **29/402,645**

(22) Filed: **Sep. 26, 2011**

(51) **LOC (9) Cl.** ..... **07-01**

(52) **U.S. Cl.** ..... **D7/587**

(58) **Field of Classification Search** ..... D7/505,  
D7/500, 587, 586, 506, 545, 543, 566, 620,  
D7/629, 552.1, 354, 584, 360, 361, 555, 556,  
D7/560; D9/307, 432; 220/751, 23.4, 574;  
D30/127

See application file for complete search history.

(56) **References Cited**

**U.S. PATENT DOCUMENTS**

D166,934 S *	6/1952	Slobodkin	.....	D7/543
D179,011 S *	10/1956	Kimble	.....	D7/585
3,362,604 A *	1/1968	Lagostina	.....	220/574
4,351,444 A *	9/1982	Majewski	.....	220/575
D296,746 S *	7/1988	Wiinblad	.....	D7/587
5,341,953 A *	8/1994	Forester	.....	220/575
D390,419 S *	2/1998	Perlmutter et al.	.....	D7/555
D409,448 S *	5/1999	Hudson et al.	.....	D7/543
D469,660 S *	2/2003	Kortleven	.....	D7/587

D473,758 S *	4/2003	Wilson	.....	D7/587
D564,843 S *	3/2008	Frank	.....	D7/566
D564,844 S *	3/2008	Schreiber-Pethan et al.	..	D7/586
D586,611 S *	2/2009	Solis et al.	.....	D7/354
D587,063 S *	2/2009	Solis et al.	.....	D7/361

\* cited by examiner

*Primary Examiner* — Cynthia Underwood

(74) *Attorney, Agent, or Firm* — Brouse McDowell; Heather M. Barnes

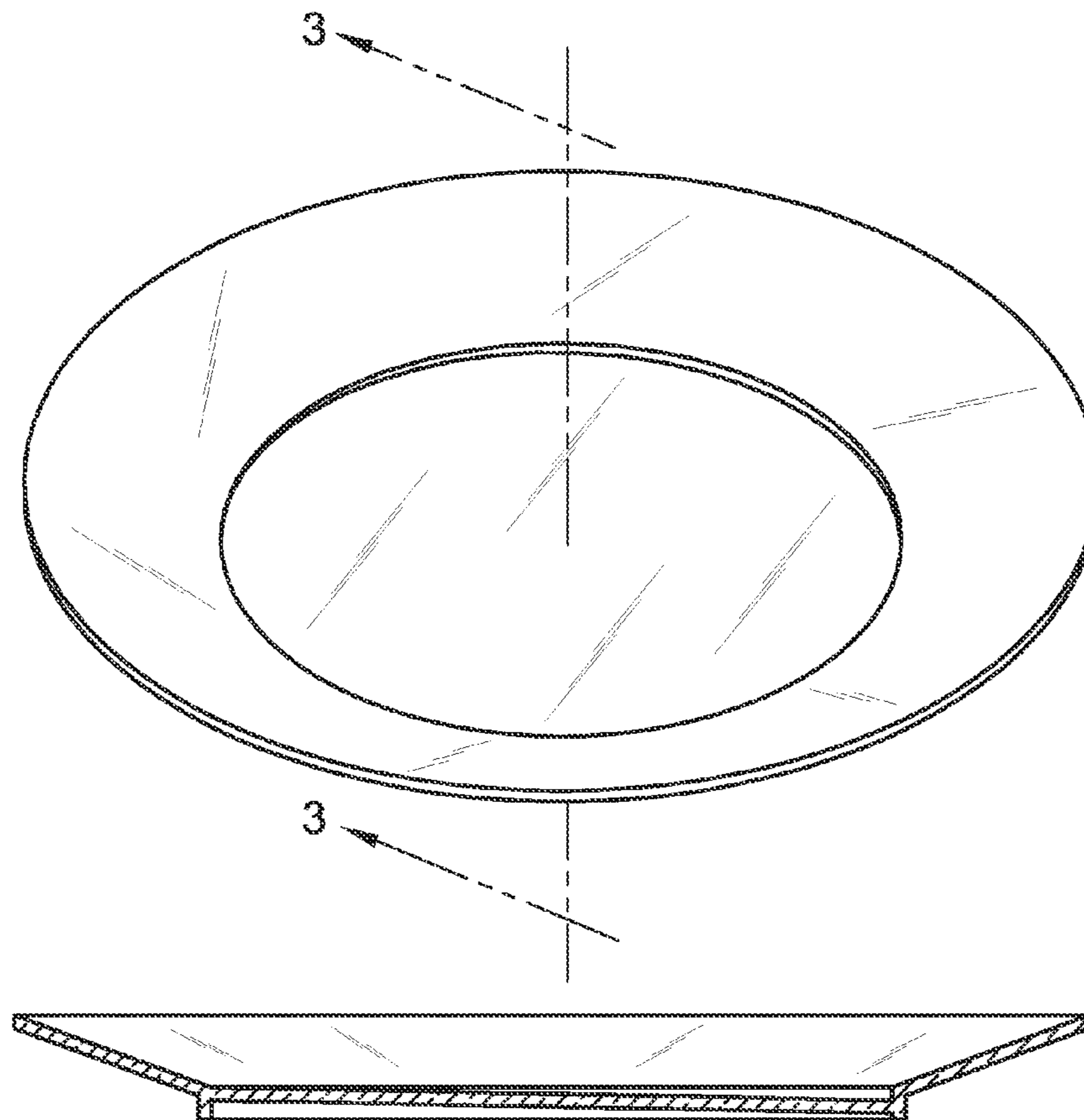
(57) **CLAIM**

The ornamental design for a tilted plate, as shown and described.

**DESCRIPTION**

FIG. 1 is a perspective view of the present invention;  
 FIG. 2 is a perspective view of the tilted dinner plate shown in an environment of use;  
 FIG. 3 is a cross-section view taken along line 3-3 of FIG. 1;  
 FIG. 4 is a cross-sectional view taken along line 4-4 of FIG. 2;  
 FIG. 5 is a bottom view of FIG. 1; and,  
 FIG. 6 is a partial bottom view of FIG. 1, with the broken lines illustrating the point at which the view was broken away from the FIG. 1 and forming no part of the claim.  
 The broken lines are included for the purpose of illustrating environment and form no part of the claimed design.

**1 Claim, 3 Drawing Sheets**



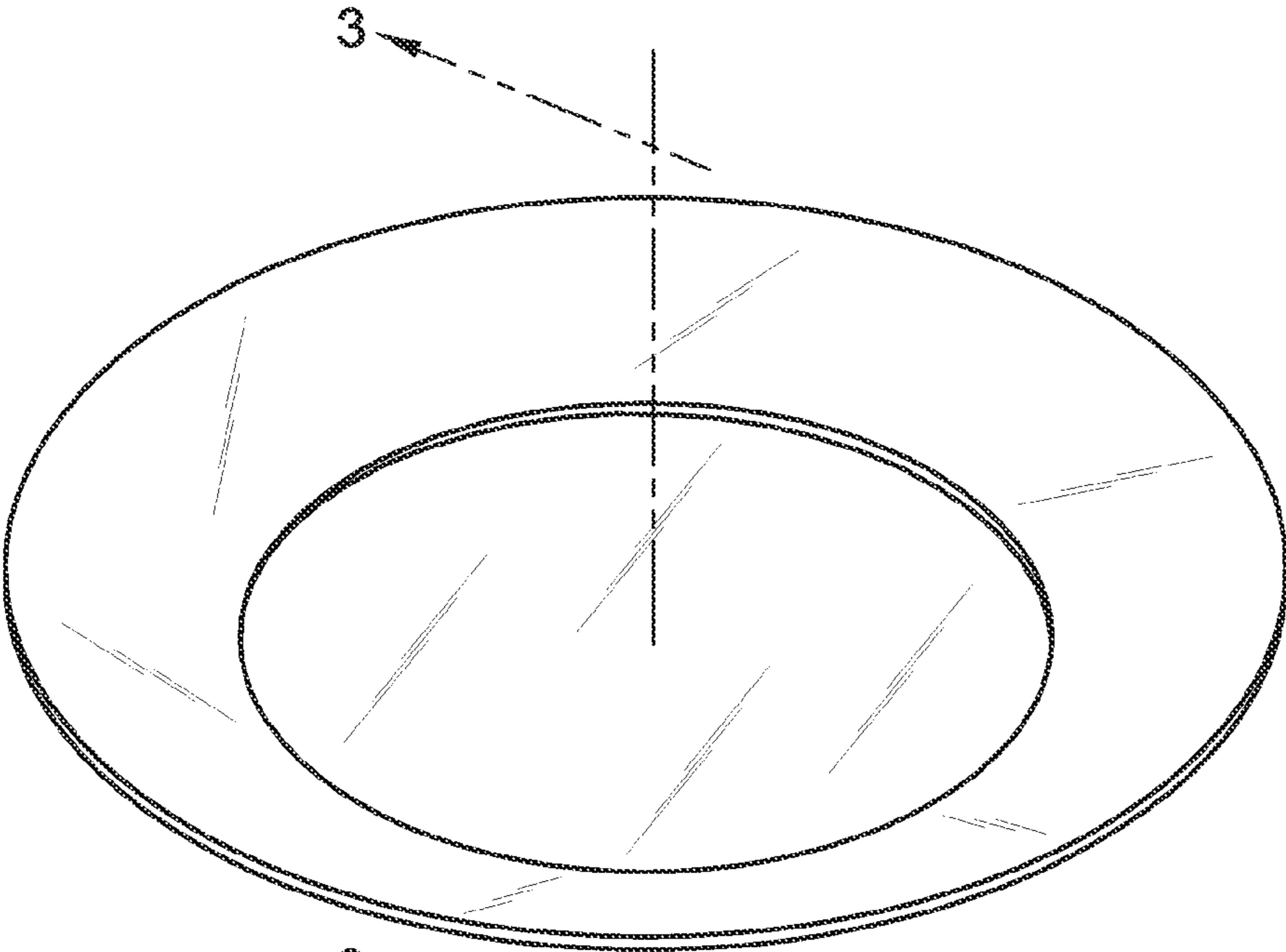


FIG. 1

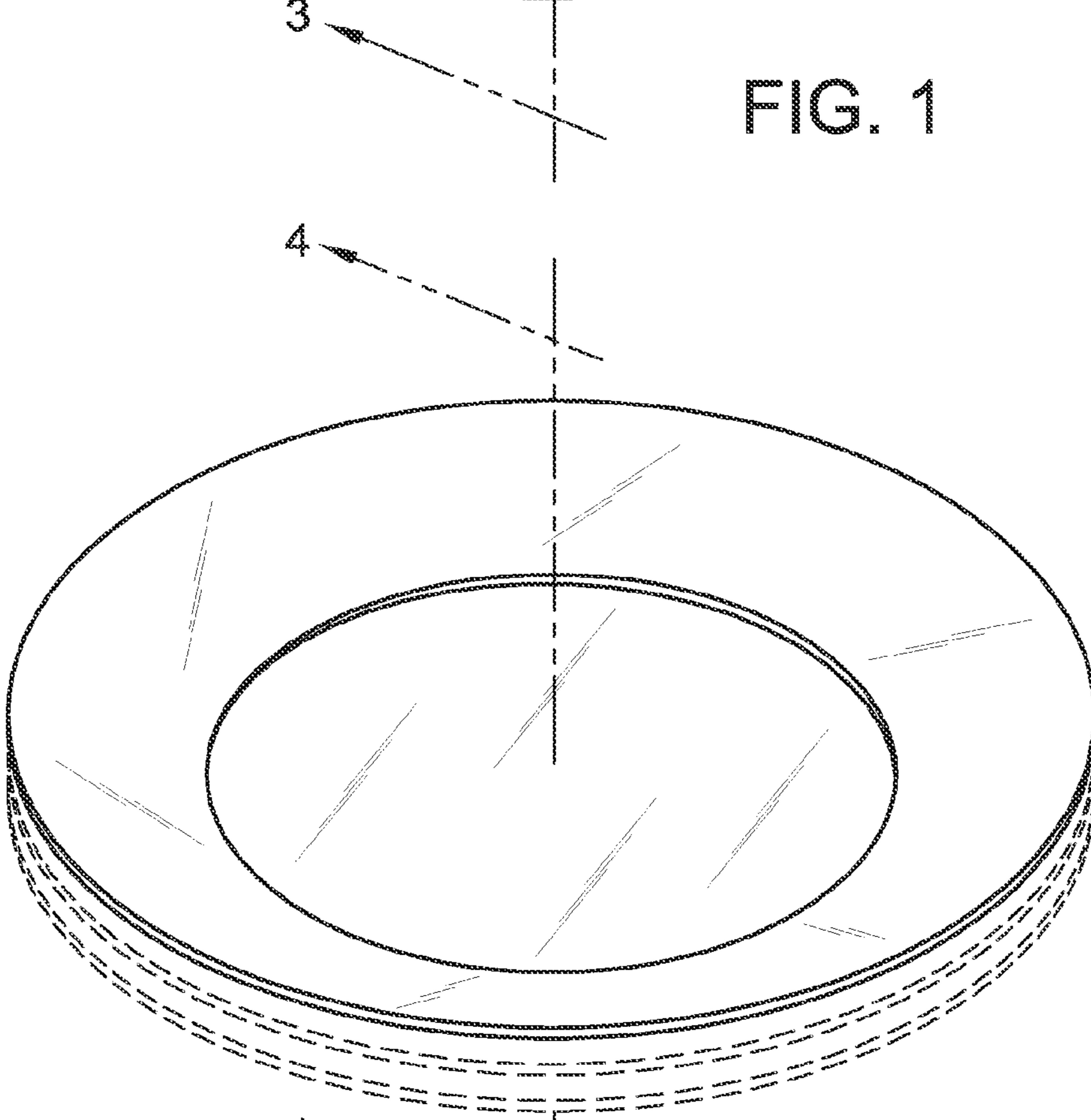


FIG. 2

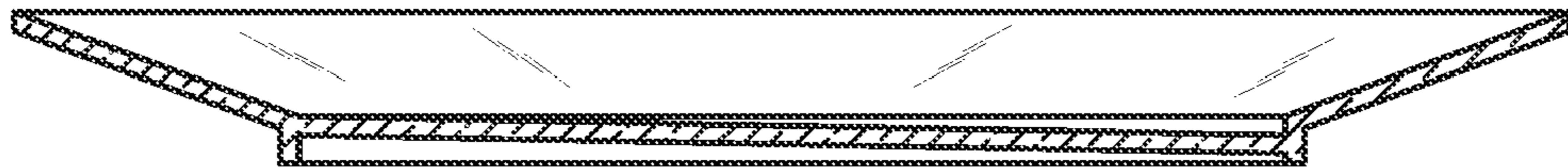


FIG. 3

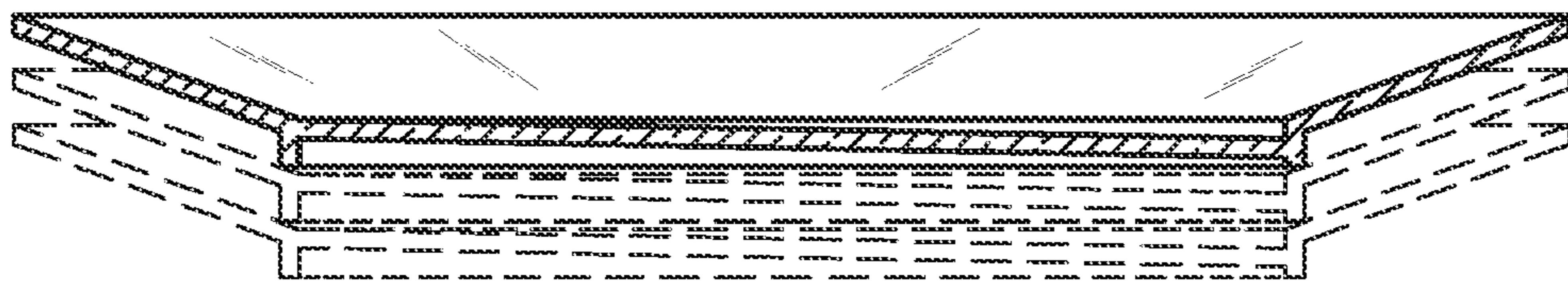


FIG. 4

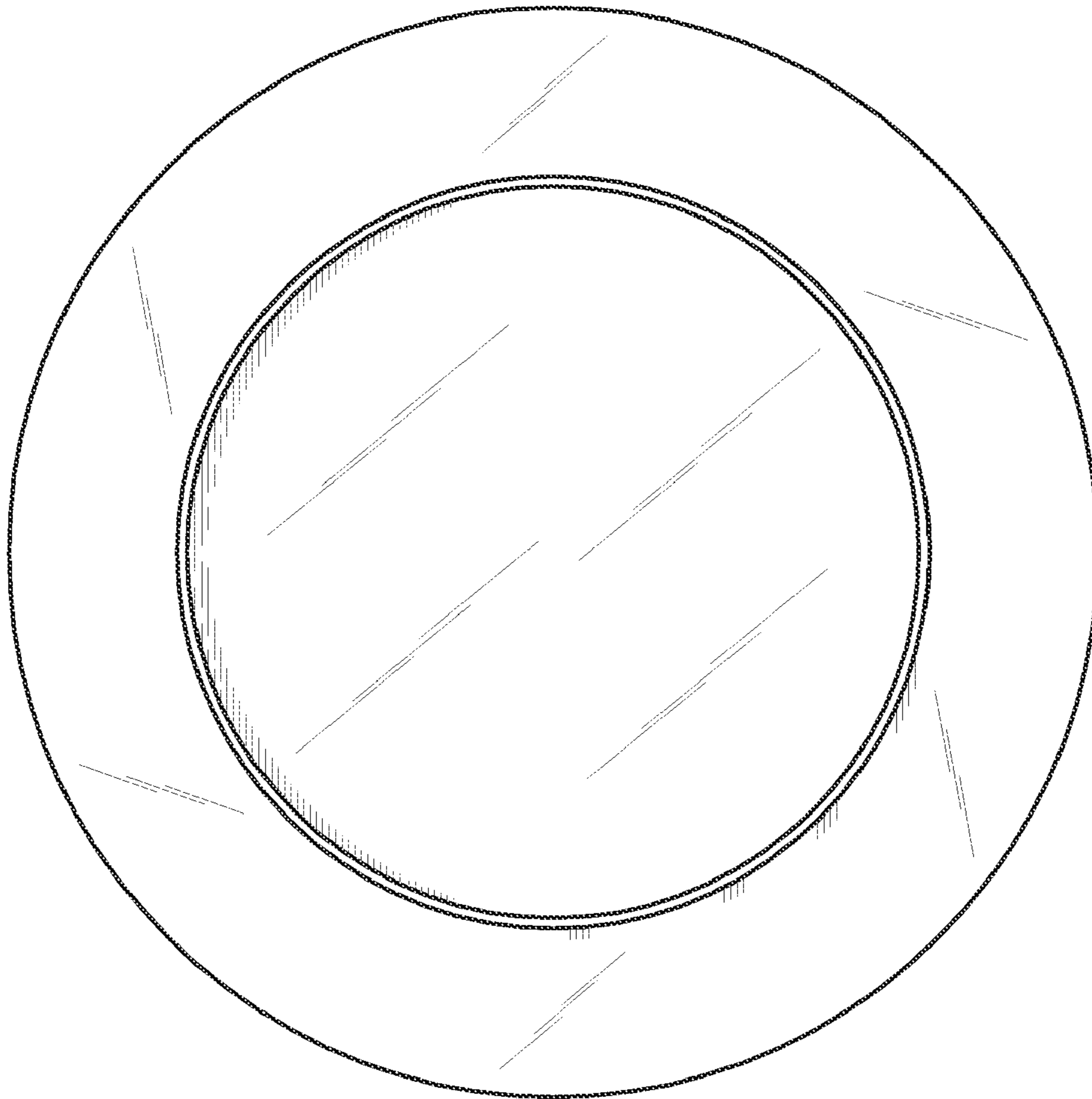


FIG. 5

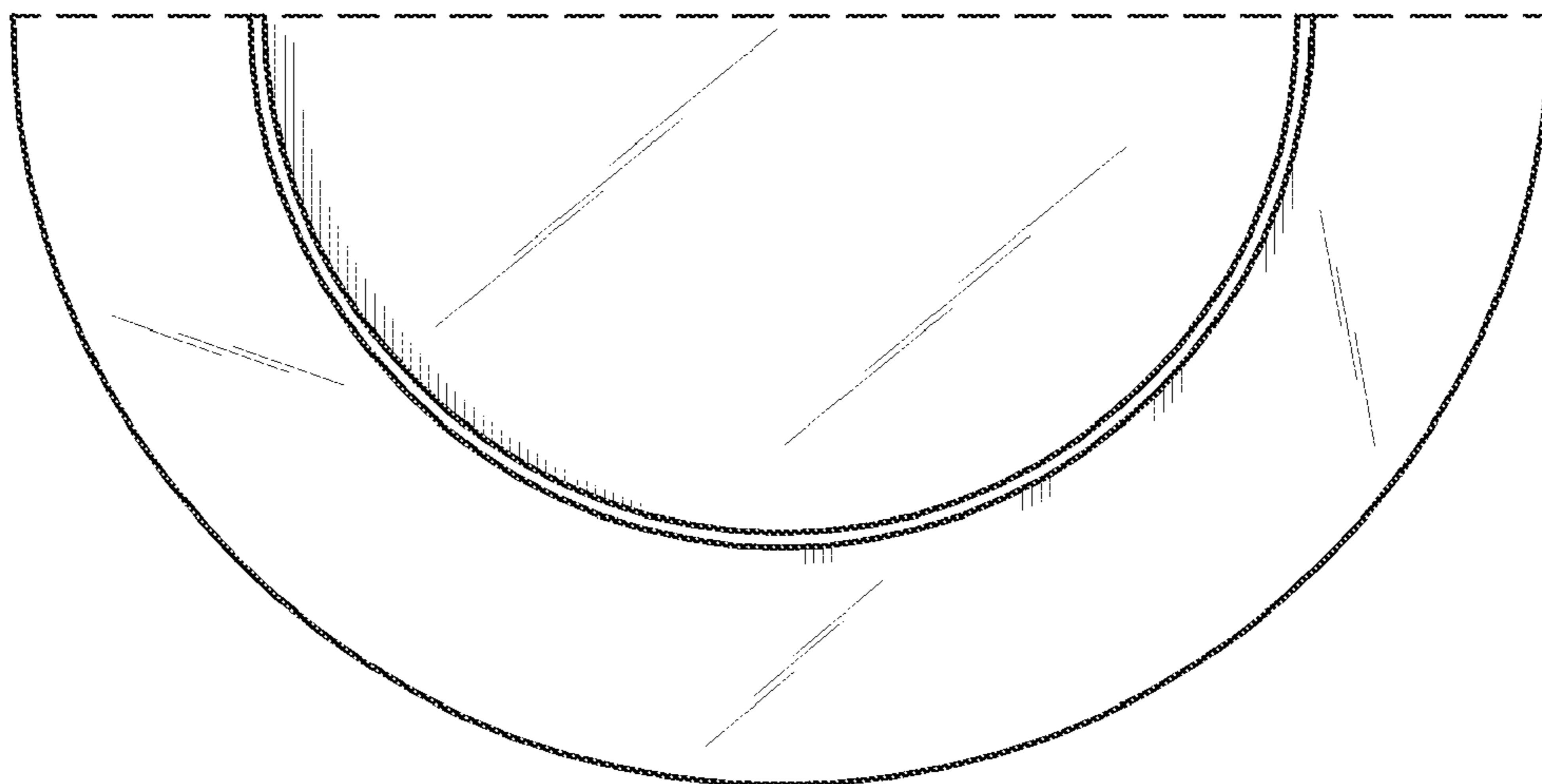


FIG. 6