



US00D656786S

(12) **United States Design Patent**
Lockhart et al.

(10) **Patent No.:** **US D656,786 S**
(45) **Date of Patent:** **** Apr. 3, 2012**

(54) **GRILL LID**

(75) Inventors: **Jack Lockhart**, Birmingham, AL (US);
Nam Wai Chau, Kennedy Town (CN);
Ka Kin Ho, Tsuen Wan (CN)

(73) Assignee: **The Brinkmann Corporation**, Dallas,
TX (US)

(**) Term: **14 Years**

(21) Appl. No.: **29/372,734**

(22) Filed: **Jan. 4, 2011**

(51) **LOC (9) Cl.** **07-02**

(52) **U.S. Cl.** **D7/402**

(58) **Field of Classification Search** D7/332,
D7/334-337, 402-405, 338, 417; 126/25 R,
126/25 A, 25 AA, 25 B, 273 R, 9 R, 38, 40,
126/50, 9 B, 48, 29-30, 43-44, 26, 372, 314,
126/307 R, 312, 292; 99/339, 448, 449,
99/481-482, 516, 340-341; 431/331

See application file for complete search history.

(56) **References Cited**

U.S. PATENT DOCUMENTS

D293,067 S	12/1987	Stephen et al.
4,886,045 A	12/1989	Ducate, Jr. et al.
D324,622 S	3/1992	Baynes et al.
D362,153 S	9/1995	Home
D381,868 S	8/1997	Schmitt et al.
5,755,154 A	5/1998	Schroeter et al.
D404,963 S	2/1999	Schlosser et al.
D406,009 S	2/1999	Wagner et al.
D406,488 S	3/1999	Bates et al.
D406,489 S	3/1999	Williams et al.
D406,490 S	3/1999	Daniels et al.
D417,587 S	12/1999	Wagner et al.
D430,772 S	9/2000	Ganard
D433,279 S	11/2000	Schlosser et al.
D437,177 S	2/2001	Giebel et al.
D438,060 S	2/2001	Campbell et al.
D438,427 S	3/2001	Campbell et al.
D450,215 S	11/2001	Wood et al.

D450,216 S	11/2001	Wood et al.
6,332,395 B1	12/2001	Home
D454,276 S	3/2002	Pai
D461,359 S	8/2002	Coleman et al.
D462,227 S	9/2002	Alden et al.
D465,123 S	11/2002	Coleman et al.
D466,367 S *	12/2002	Johnson et al. D7/402
D466,756 S	12/2002	Bossler et al.
D470,357 S	2/2003	Home
D470,719 S	2/2003	Pai
D471,057 S	3/2003	Chung
D471,761 S *	3/2003	Choi et al. D7/402
D472,756 S	4/2003	Pai
D474,070 S	5/2003	McKenzie
D475,235 S	6/2003	Home
D476,188 S	6/2003	Wood
D485,467 S	1/2004	Pai
D488,025 S	4/2004	Tseng
D489,221 S	5/2004	Pai
D491,414 S	6/2004	Nichols et al.
D494,004 S	8/2004	Chapman
D494,009 S	8/2004	Joss et al.
D494,413 S	8/2004	Joss et al.
D497,280 S	10/2004	Pai

(Continued)

Primary Examiner — Ruth McInroy

(74) *Attorney, Agent, or Firm* — Sheppard, Mullin, Richter
& Hampton LLP

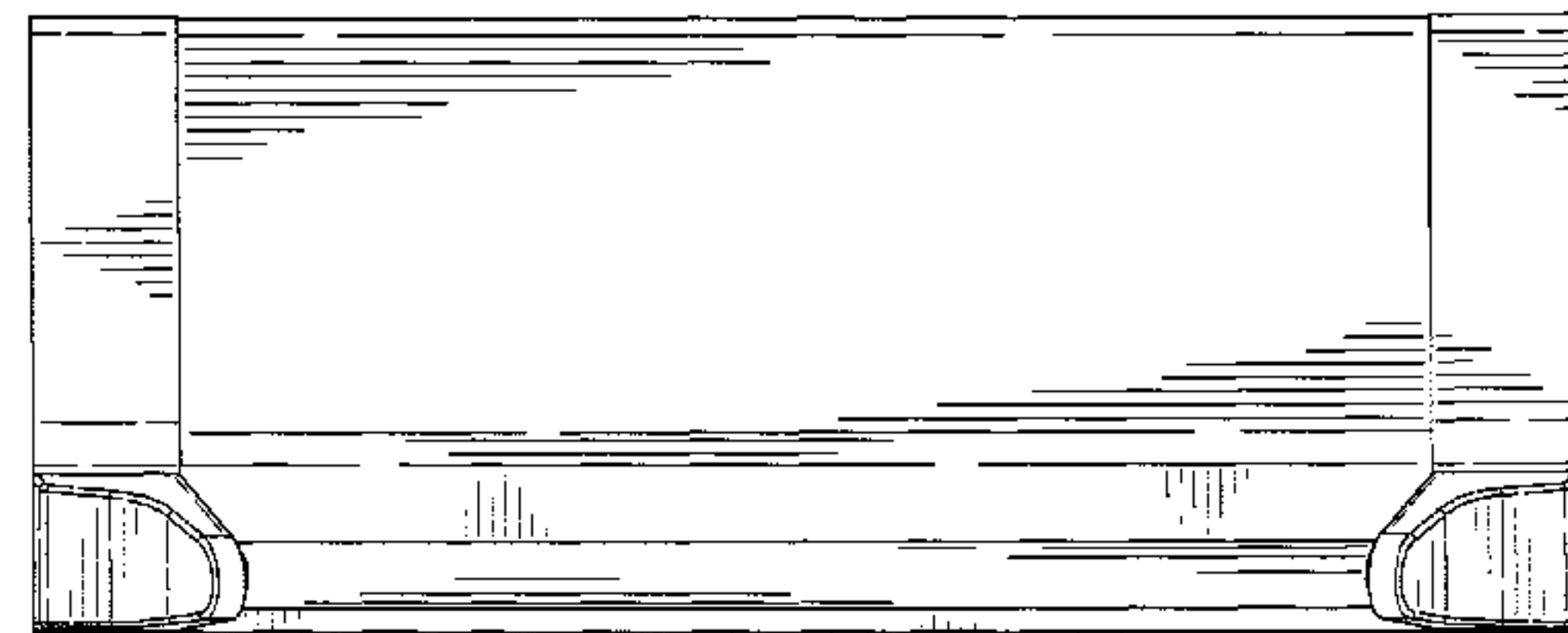
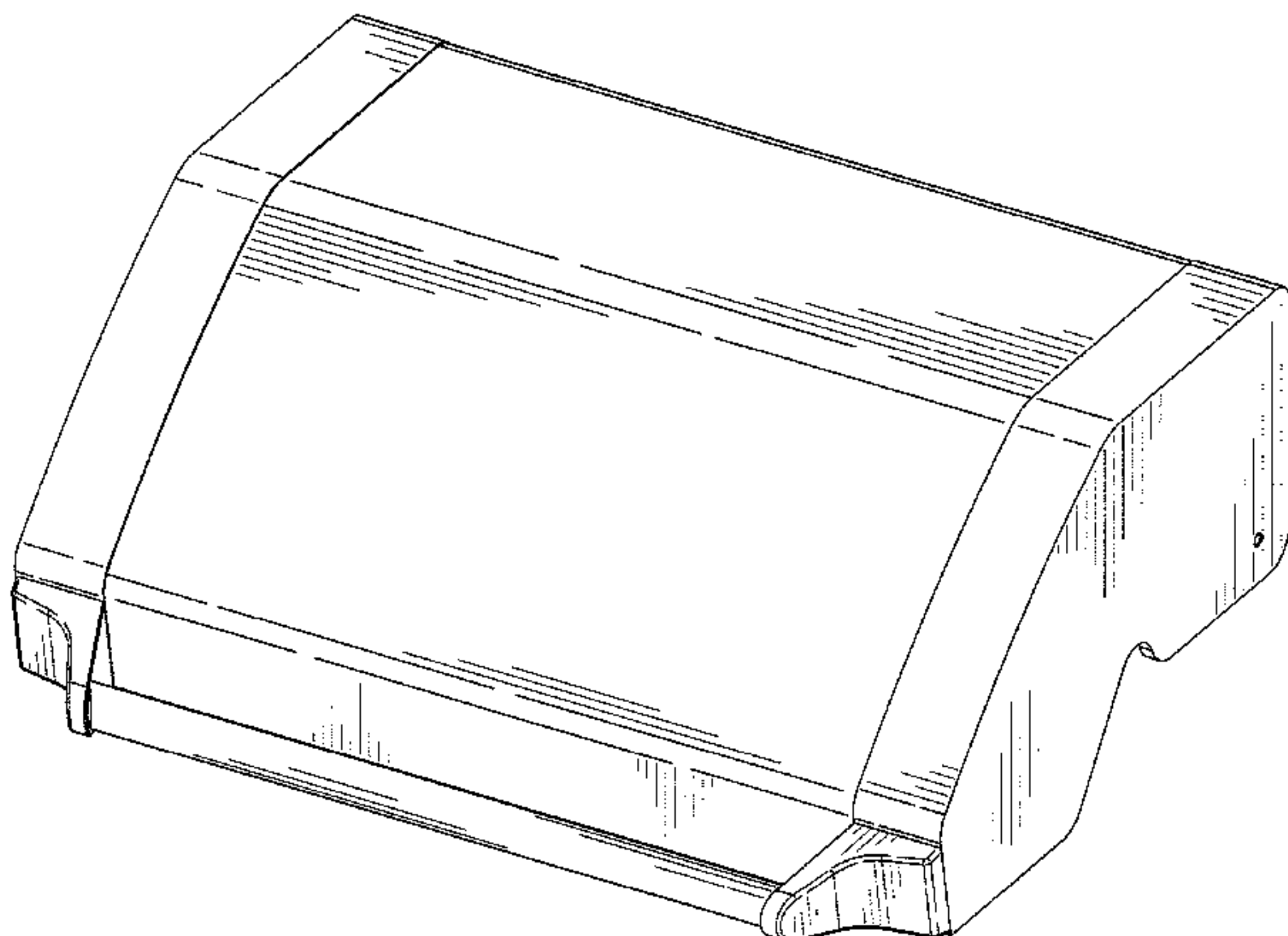
(57) **CLAIM**

We claim the ornamental design for a grill lid, as shown and described.

DESCRIPTION

FIG. 1 is a perspective view of a grill lid showing our new design;
FIG. 2 is a front elevational view thereof;
FIG. 3 is a rear elevational view thereof;
FIG. 4 is a right side elevational view thereof;
FIG. 5 is a left side elevational view thereof;
FIG. 6 is a top plan view thereof; and,
FIG. 7 is a bottom plan view thereof.

1 Claim, 6 Drawing Sheets



US D656,786 S

U.S. PATENT DOCUMENTS

D497,284 S	10/2004	Pai		D557,556 S	12/2007	Chau et al.	
D499,928 S	12/2004	Zhang		D557,557 S	12/2007	Chau et al.	
D501,116 S	1/2005	Zhang		D557,558 S	12/2007	Chau et al.	
D503,065 S	3/2005	Pai		D558,518 S *	1/2008	Ho et al.	D7/402
D504,048 S	4/2005	Joss et al.		D560,415 S	1/2008	Wood et al.	
6,925,998 B2	8/2005	Bruno et al.		D560,416 S	1/2008	Sedberry et al.	
D512,268 S	12/2005	Pai		D560,417 S	1/2008	Ho et al.	
D516,367 S	3/2006	Lutz et al.		D560,418 S	1/2008	Chau et al.	
D520,298 S	5/2006	Huegerich et al.		D560,419 S	1/2008	Lockhart et al.	
D521,308 S	5/2006	Tseng		D562,629 S	2/2008	Chau et al.	
D525,073 S	7/2006	Wilgus et al.		D562,630 S *	2/2008	Chau et al.	D7/402
D528,349 S	9/2006	Chung		D563,150 S	3/2008	Chau et al.	
D529,331 S	10/2006	Chung		D566,456 S	4/2008	Profitt	
D533,010 S	12/2006	Pai		D569,168 S	5/2008	Pai	
D535,139 S	1/2007	Lutz		D571,142 S	6/2008	Chung	
D536,918 S	2/2007	Wood		D571,602 S	6/2008	Chung	
D538,592 S	3/2007	McKenzie		D571,604 S	6/2008	Chung	
D541,575 S	5/2007	Lutz		D571,605 S	6/2008	Chung	
D544,289 S	6/2007	Tseng		D572,973 S	7/2008	Chau	
D546,116 S	7/2007	Tseng		D580,220 S	11/2008	McKenzie	
D547,108 S	7/2007	Tseng		D581,199 S	11/2008	Chau	
D547,109 S	7/2007	Tseng		D584,562 S	1/2009	Chau et al.	
D549,511 S	8/2007	Chung		D586,609 S	2/2009	Chau	
D549,512 S	8/2007	Chung		D586,615 S *	2/2009	Lee	D7/402
D549,514 S	8/2007	Chung		D587,525 S *	3/2009	Chau	D7/402
D554,944 S *	11/2007	Wood	D7/402	D604,557 S	11/2009	Lee	
D557,066 S *	12/2007	Chau et al.	D7/402	D604,558 S *	11/2009	Chau	D7/402
D557,067 S	12/2007	Ho et al.		2006/0054156 A1	3/2006	Zelek et al.	
D557,068 S *	12/2007	Lee	D7/402	2006/0144385 A1	7/2006	Coleman et al.	
D557,555 S	12/2007	Chau et al.		2011/0168158 A1 *	7/2011	Barkhouse	126/25 R

* cited by examiner

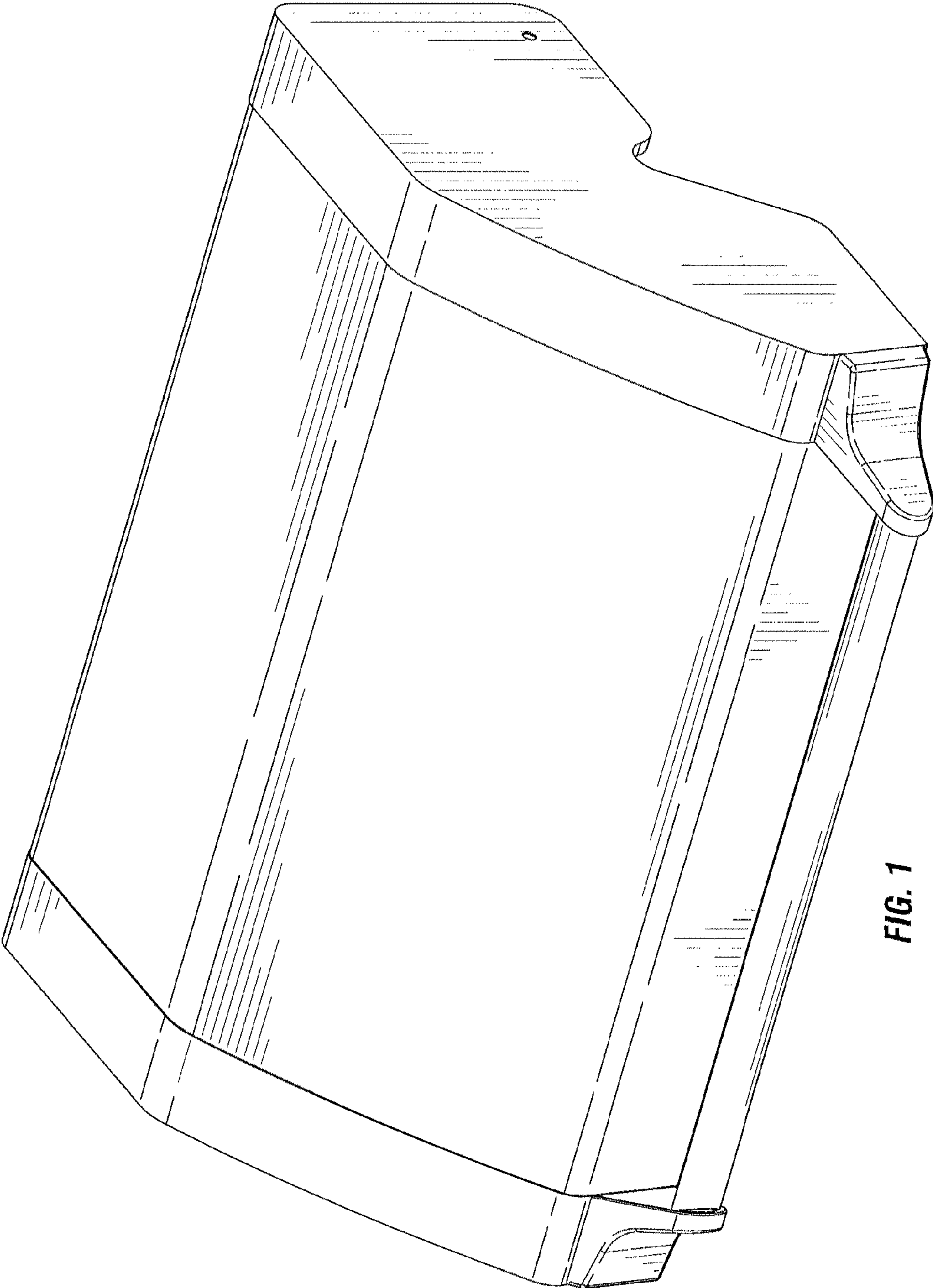


FIG. 1

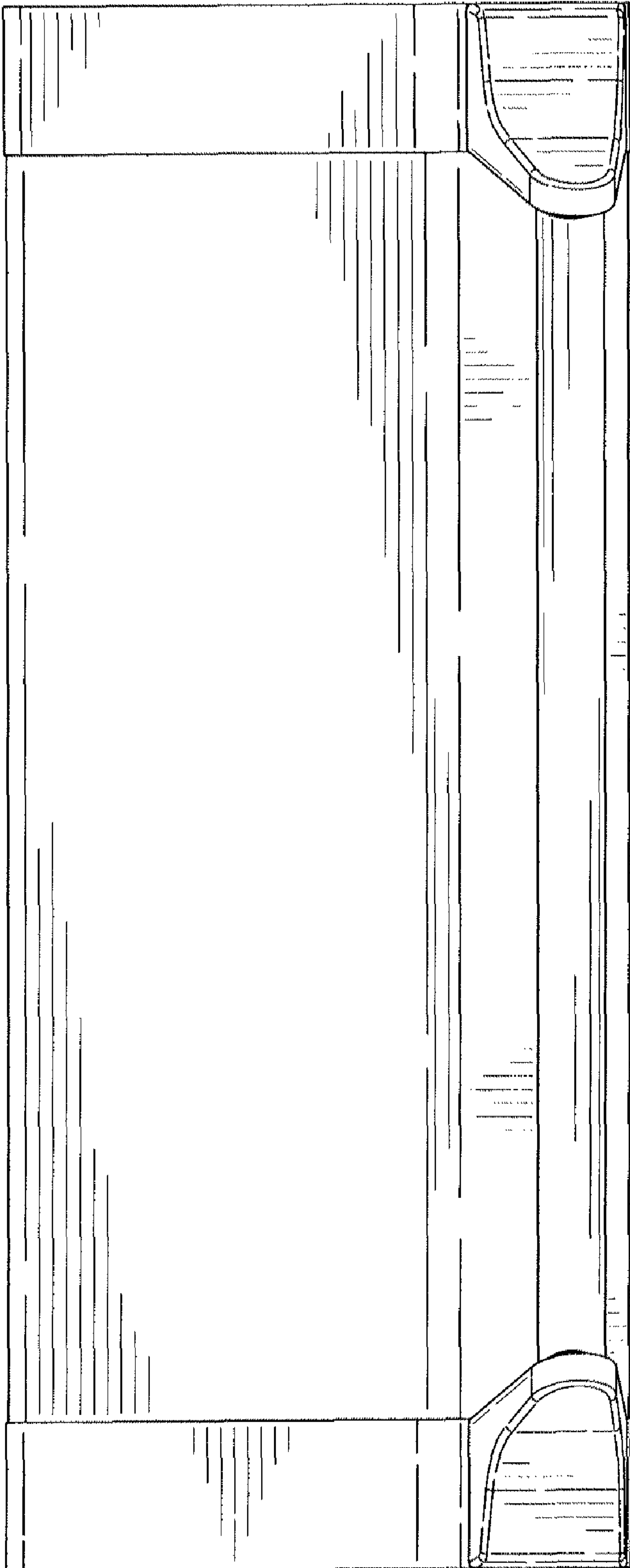


FIG. 2

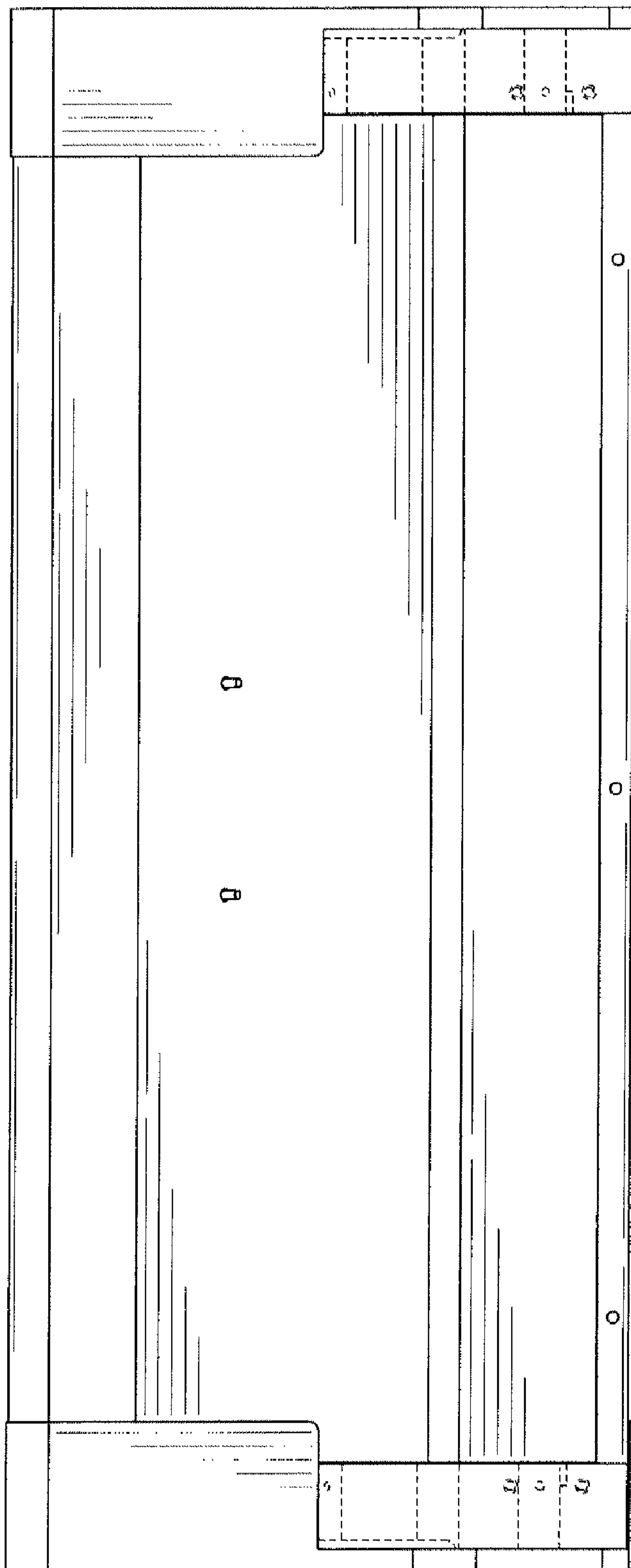


FIG. 3

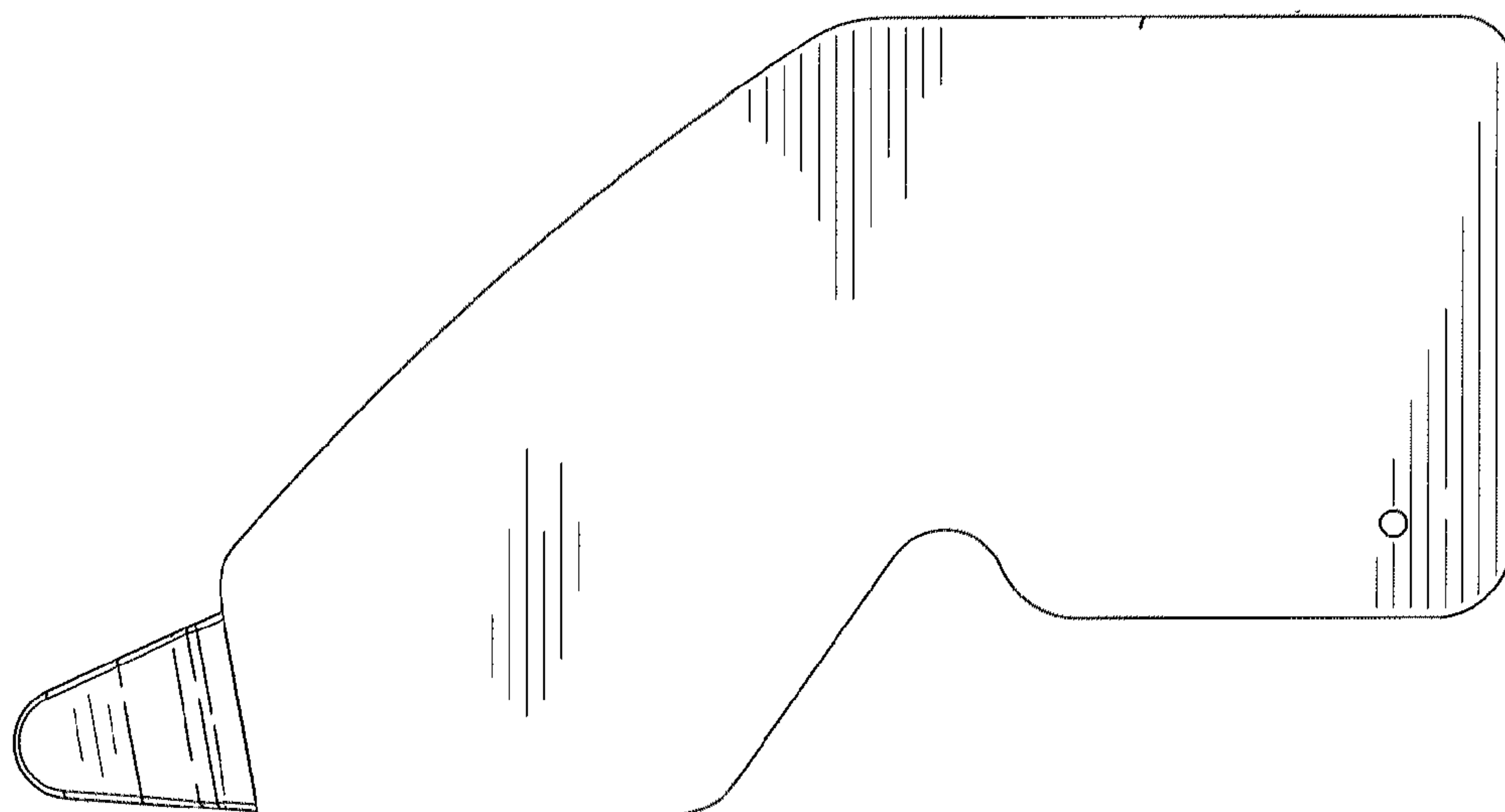


FIG. 4

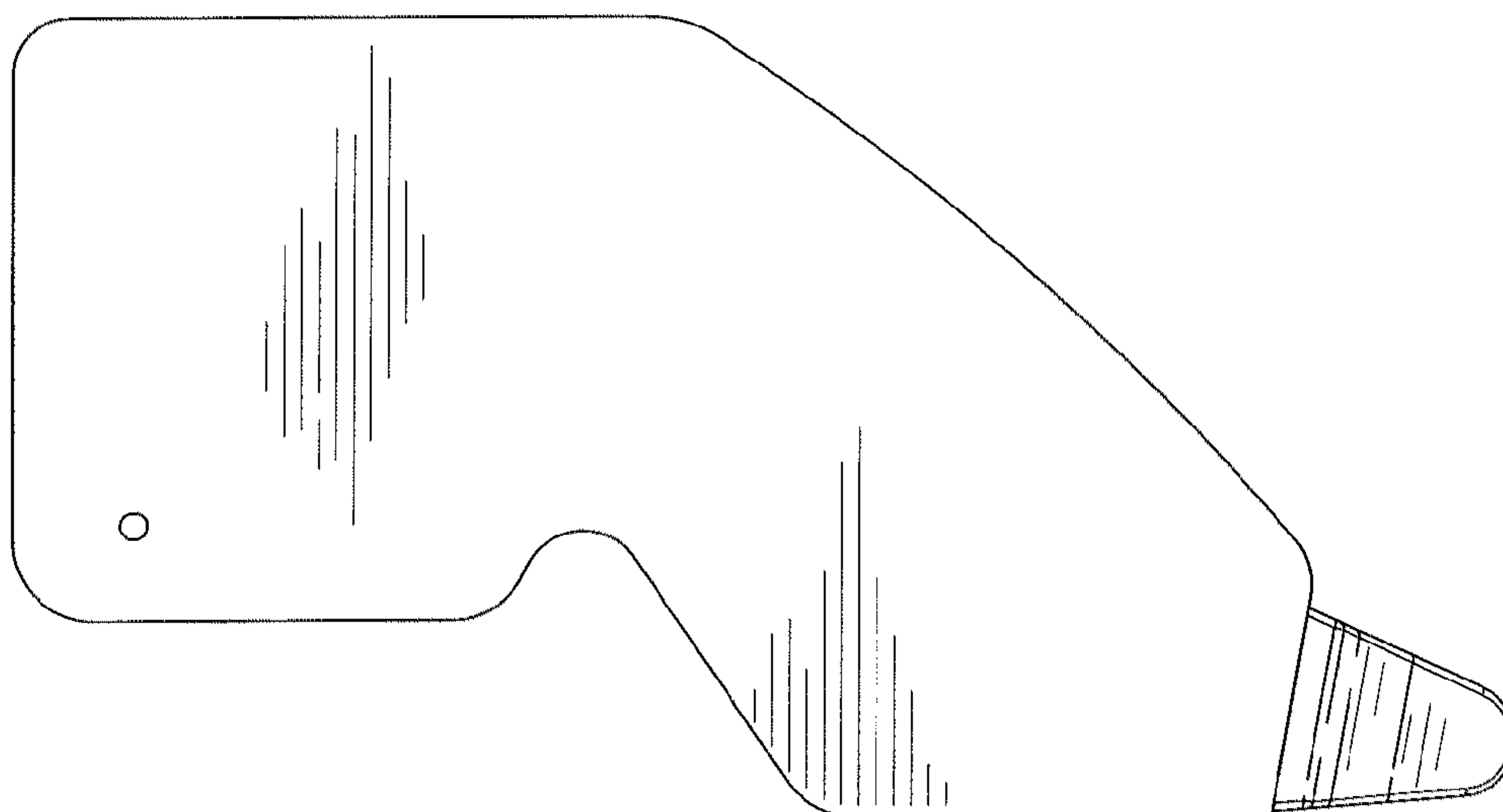


FIG. 5

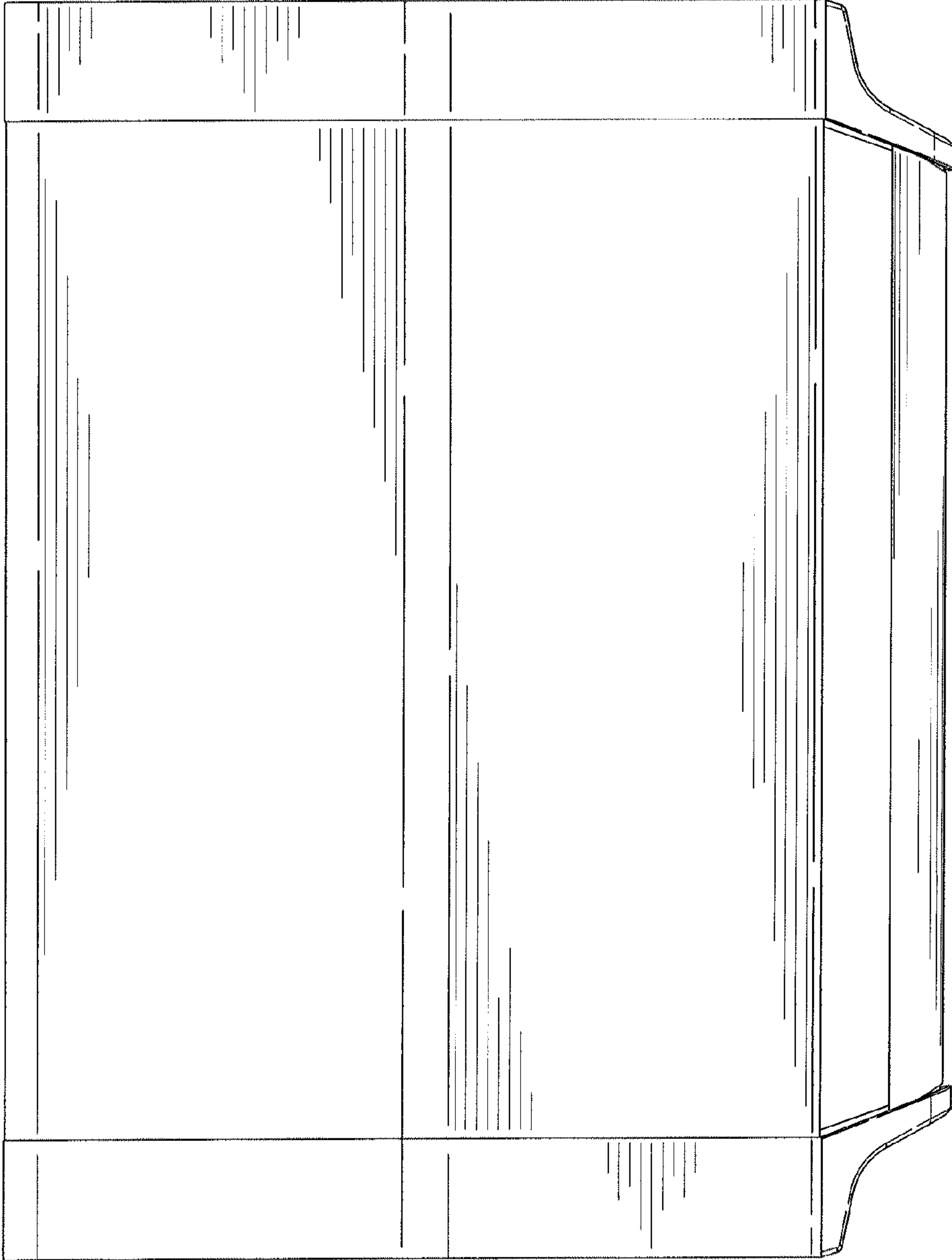


FIG. 6

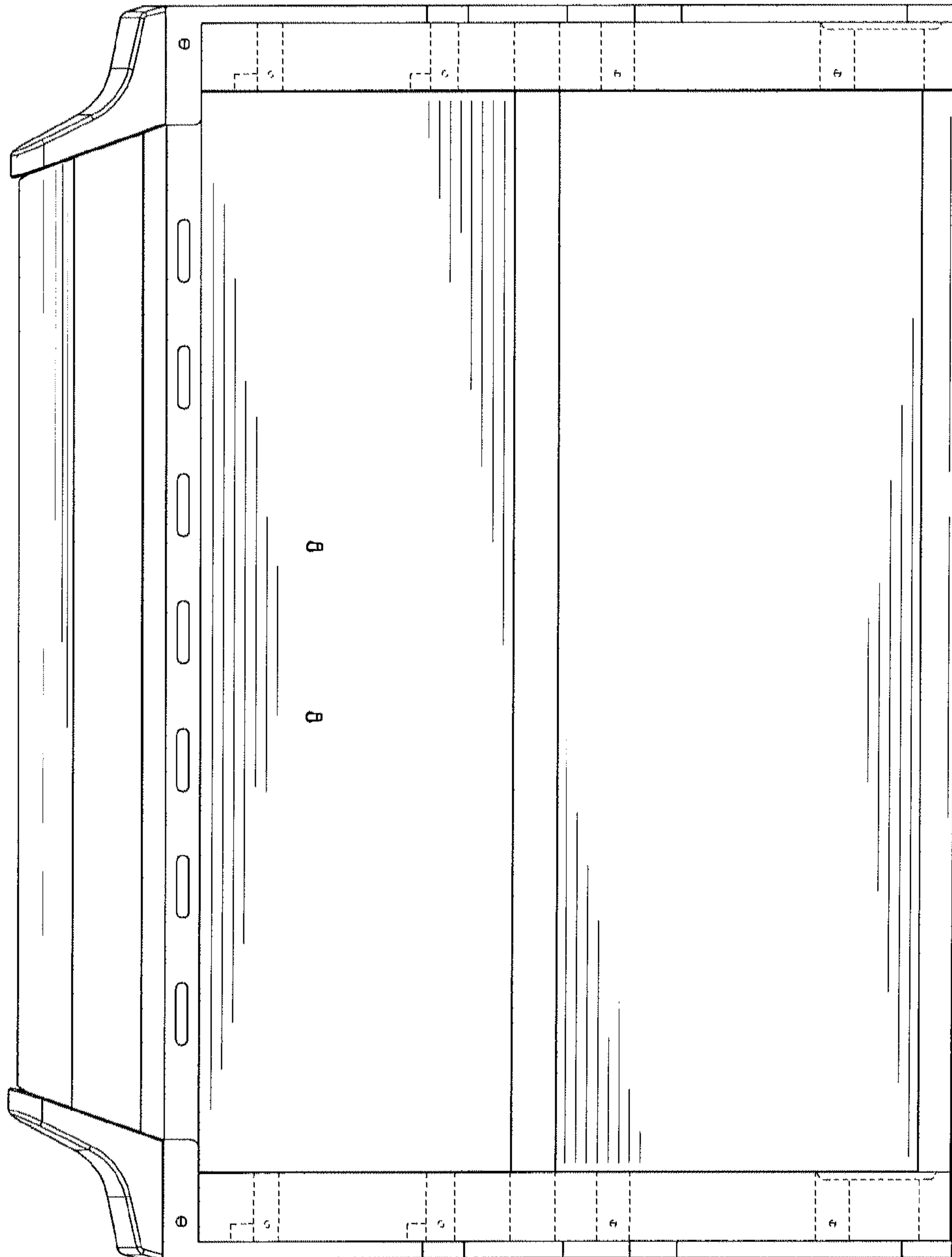


FIG. 7