



US00D656780S

(12) **United States Design Patent**  
**Madden**

(10) **Patent No.:** **US D656,780 S**

(45) **Date of Patent:** **\*\* Apr. 3, 2012**

(54) **CUTLERY HANDLE**

(76) **Inventor:** **Thomas J. Madden**, Boca Raton, FL  
(US)

(\*\*) **Term:** **14 Years**

(21) **Appl. No.:** **29/364,187**

(22) **Filed:** **Jun. 21, 2010**

(51) **LOC (9) Cl.** ..... **07-02**

(52) **U.S. Cl.** ..... **D7/401.2; D7/649; D7/651**

(58) **Field of Classification Search** ..... D7/368,  
D7/395, 401.2, 642-646, 649-654, 660-664,  
D7/669, 675-676, 683, 688-696; D8/29,  
D8/54, 84, 98, 303, 330-331, 339, 341, 397;  
30/113.1, 137, 141-143, 147-150, 302, 316,  
30/322-327, 329, 340, 342-344; 43/42.28;  
81/177.85; 416/70 R

See application file for complete search history.

(56) **References Cited**

**U.S. PATENT DOCUMENTS**

D44,573	S	*	8/1913	Leopold	.....	D8/84
2,683,312	A	*	7/1954	Dover	.....	30/302
2,990,615	A	*	7/1961	Ohler	.....	30/316
D220,421	S	*	4/1971	Zutter	.....	D8/29
4,310,969	A	*	1/1982	Cannizzaro et al.	.....	30/113.1
D300,404	S	*	3/1989	Lauer	.....	D8/98
D300,602	S	*	4/1989	Smith, Sr.	.....	D8/303
D317,700	S	*	6/1991	Callahan	.....	D7/693
D349,433	S	*	8/1994	Tran	.....	D7/693
D397,598	S	*	9/1998	Falk	.....	D8/29
D428,795	S	*	8/2000	Wyers	.....	D8/341

D444,050	S	*	6/2001	Wyers	.....	D8/341
D447,043	S	*	8/2001	Wyers	.....	D8/339
D461,392	S	*	8/2002	Zapushek	.....	D8/331
D461,691	S	*	8/2002	Huang et al.	.....	D7/693
D472,778	S	*	4/2003	Halstead	.....	D8/29
D511,292	S	*	11/2005	Hohmann et al.	.....	D8/331
D526,546	S	*	8/2006	Jirele et al.	.....	D8/29
D548,564	S	*	8/2007	Frantz	.....	D8/331
7,340,984	B2	*	3/2008	Hsieh	.....	81/177.85
D582,242	S	*	12/2008	Bryan	.....	D8/107
D584,118	S	*	1/2009	Halstead	.....	D8/29
D587,095	S	*	2/2009	Johnson	.....	D8/330
D590,243	S	*	4/2009	Bush	.....	D8/397
D605,927	S	*	12/2009	Wyers	.....	D8/331

\* cited by examiner

*Primary Examiner* — Ricky Pham

(74) *Attorney, Agent, or Firm* — Ladas & Parry LLP

(57) **CLAIM**

The ornamental design for a cutlery handle, as shown and described.

**DESCRIPTION**

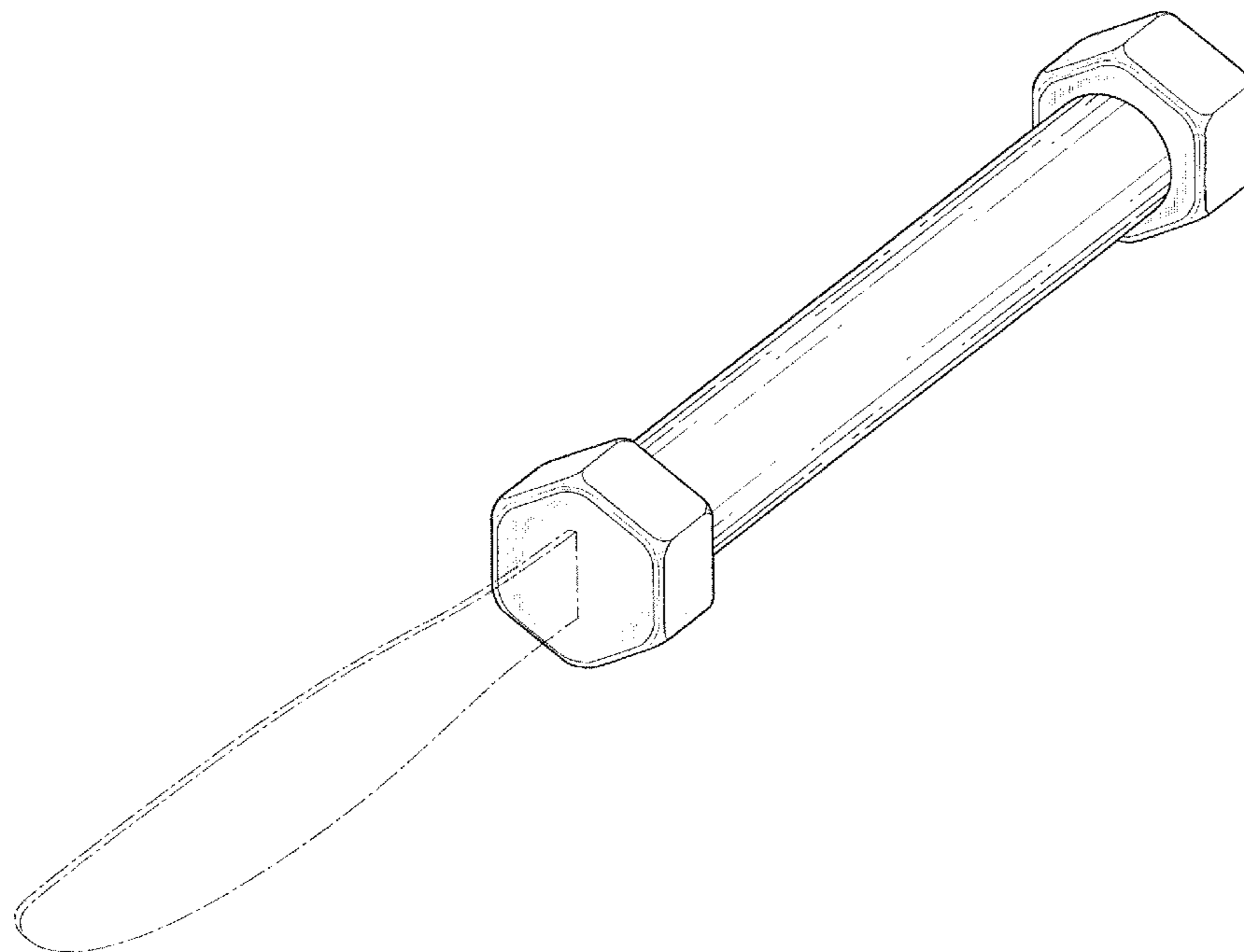
FIGS. 1, 2 and 3 are perspective views of a new cutlery handle mounting various implements;

FIG. 4 is a first side elevational view of the handle of FIG. 1; FIG. 5 is a second side elevational view of the handle of FIG. 1;

FIG. 6 is a top plan view of the handle of FIG. 1; and, FIG. 7 is a bottom plan view of the handle of FIG. 1.

The broken lines shown in the drawings are for illustrative purposes only and form no part of the claimed design.

**1 Claim, 5 Drawing Sheets**



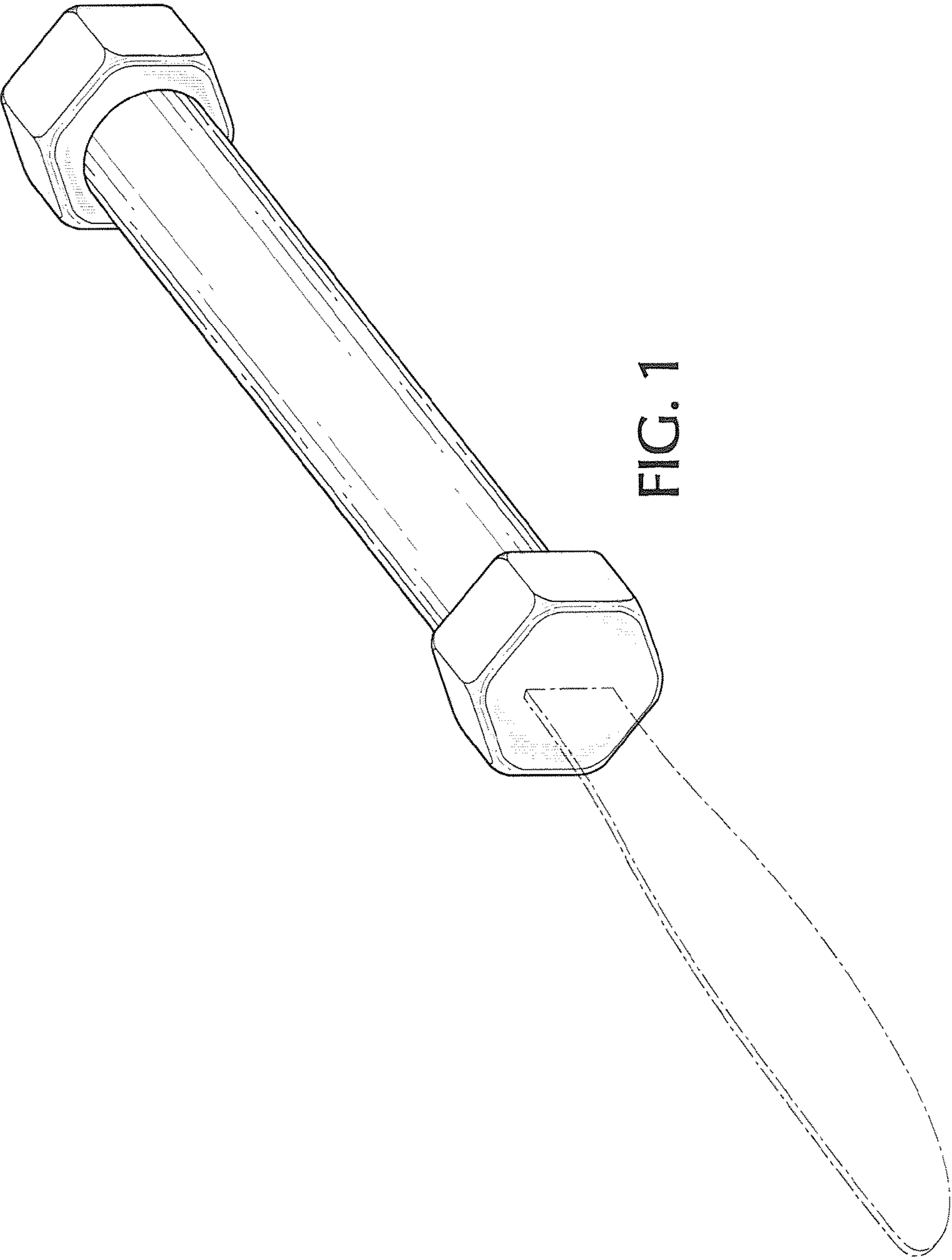


FIG. 1

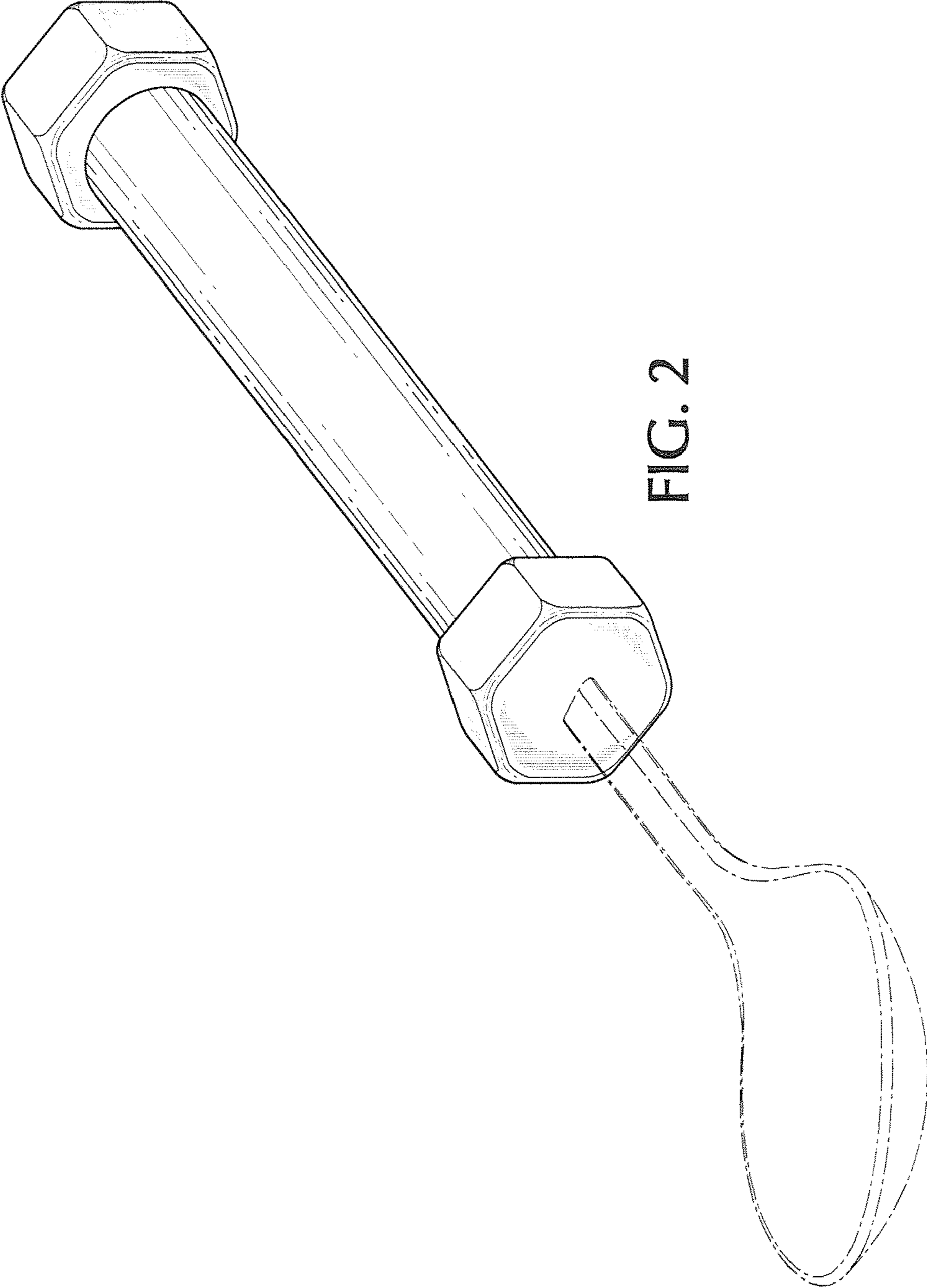


FIG. 2

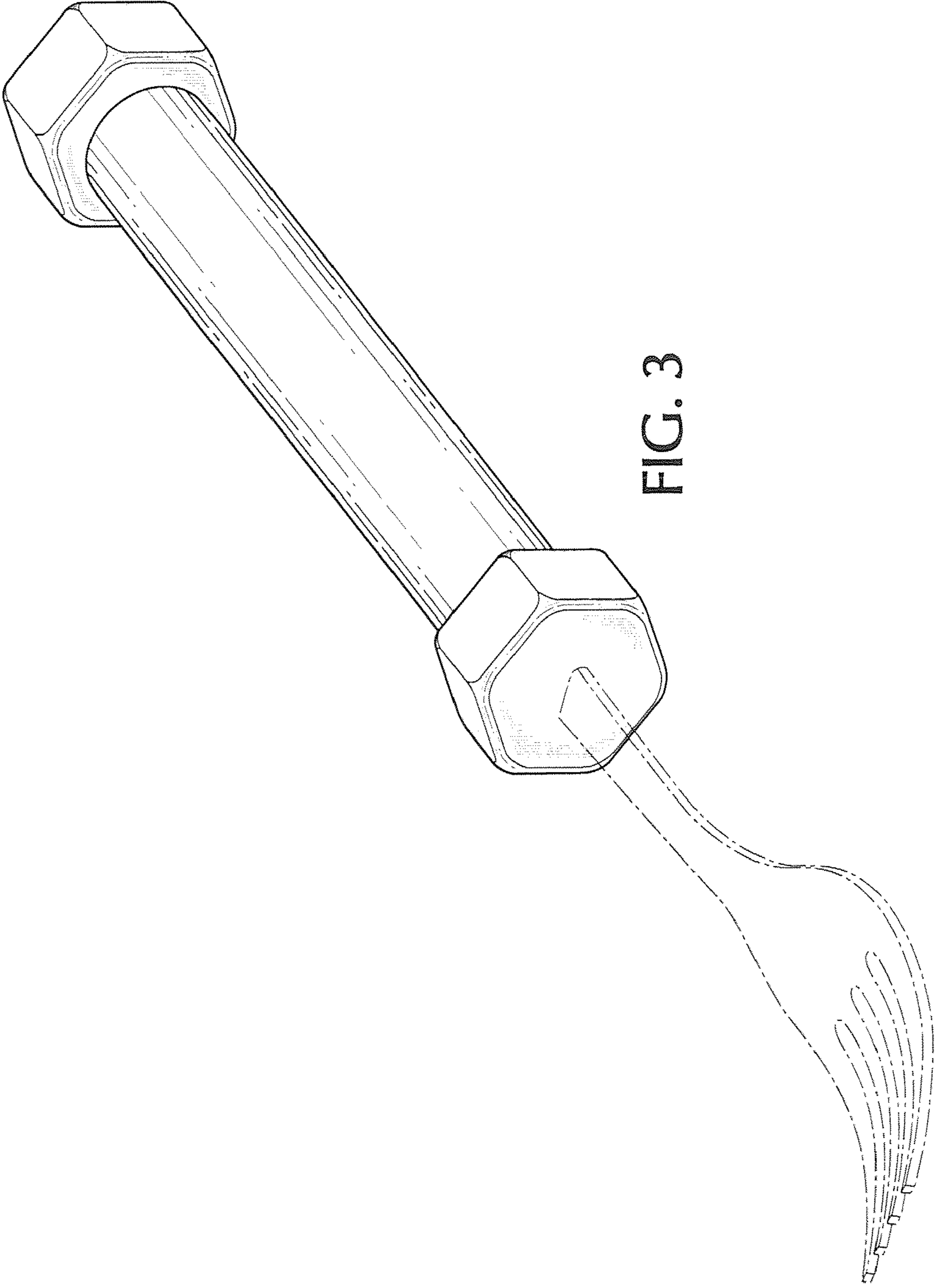


FIG. 3

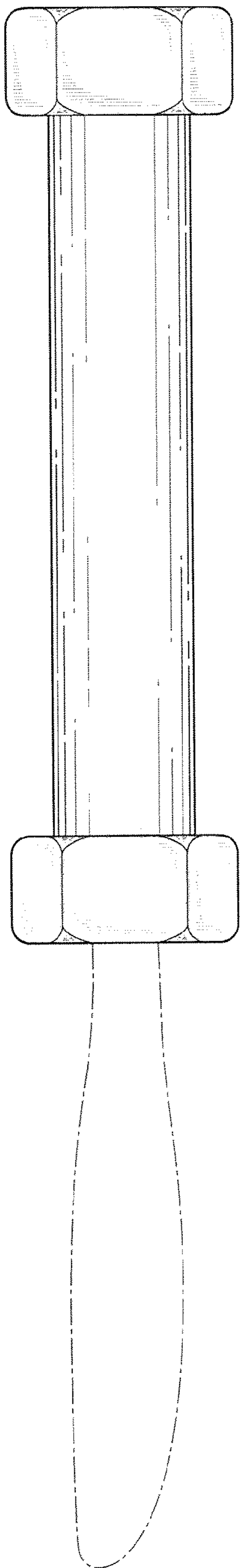


FIG. 4

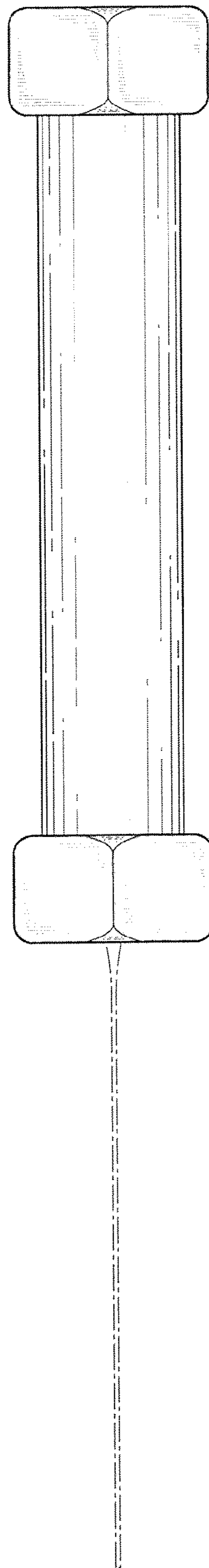


FIG. 5

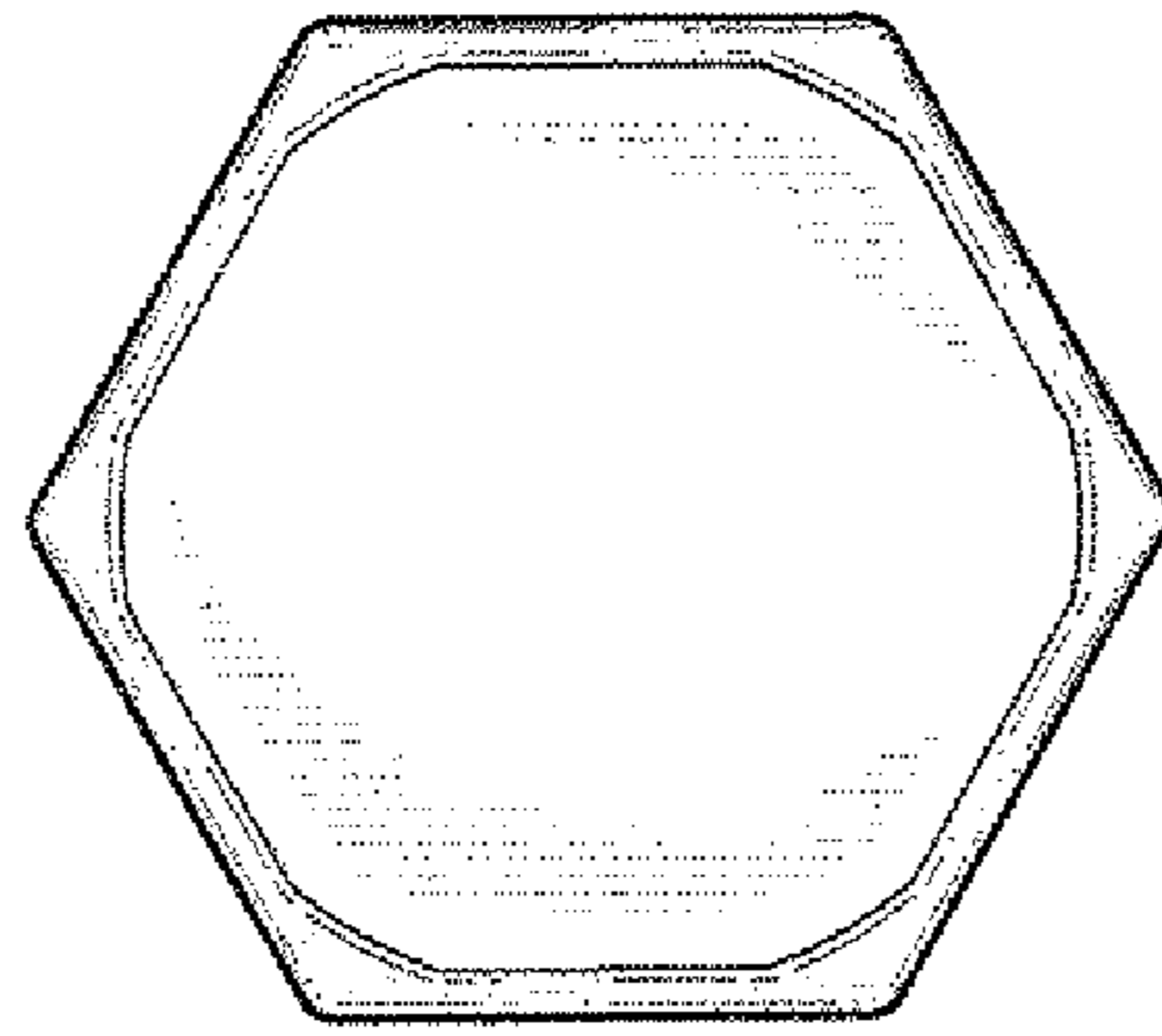


FIG. 7

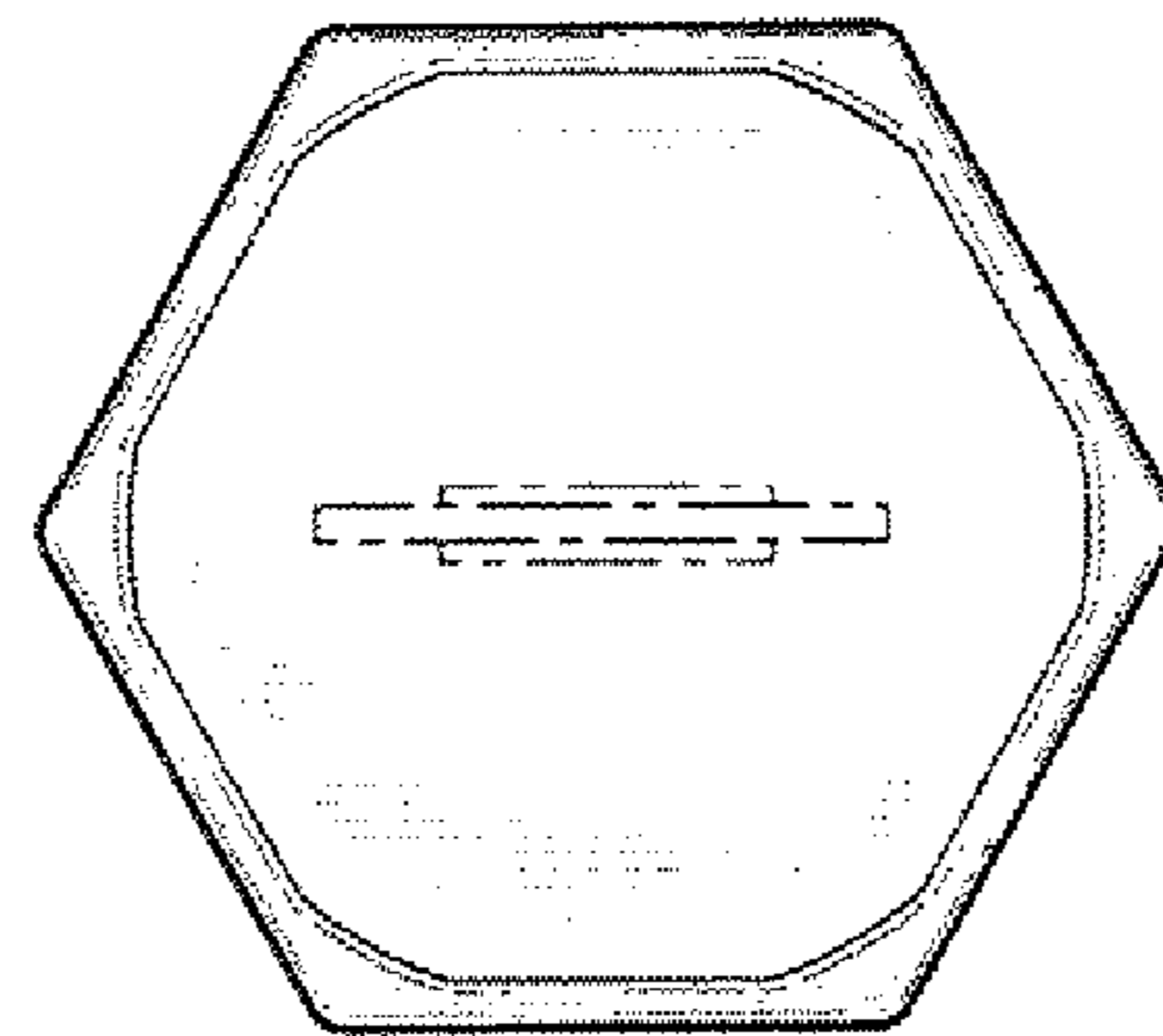


FIG. 6