



US00D656774S

(12) **United States Design Patent**
Lin

(10) **Patent No.:** **US D656,774 S**

(45) **Date of Patent:** **** Apr. 3, 2012**

(54) **BARBEQUE GRILL**

(75) Inventor: **Chuan-Yi Lin**, Fuxing Township,
Changhua County (TW)

(73) Assignee: **Voka Enterprise Co., Ltd.**, Changhua
(TW)

(**) Term: **14 Years**

(21) Appl. No.: **29/390,148**

(22) Filed: **Apr. 20, 2011**

(51) **LOC (9) Cl.** **07-02**

(52) **U.S. Cl.** **D7/334**

(58) **Field of Classification Search** D7/332,
D7/334-337, 402-405, 338, 417; 126/25 R,
126/25 A, 25 AA, 25 B, 273 R, 9 R, 38, 40,
126/50, 9 B, 48, 29-30, 43-44, 26, 372, 314,
126/307 R, 312, 292; 99/339, 448, 449,
99/481-482, 516, 340-341; 431/331

See application file for complete search history.

(56) **References Cited**

U.S. PATENT DOCUMENTS

D459,142 S * 6/2002 Wu D7/334
D460,658 S * 7/2002 Wu D7/334

D480,906 S * 10/2003 Pai D7/334
D485,116 S * 1/2004 Kwok D7/334
D496,821 S * 10/2004 Pai D7/334
D614,435 S * 4/2010 Lin D7/334
D618,486 S * 6/2010 Bruno et al. D7/334
D623,003 S * 9/2010 Chung D7/334

* cited by examiner

Primary Examiner — Ruth McInroy

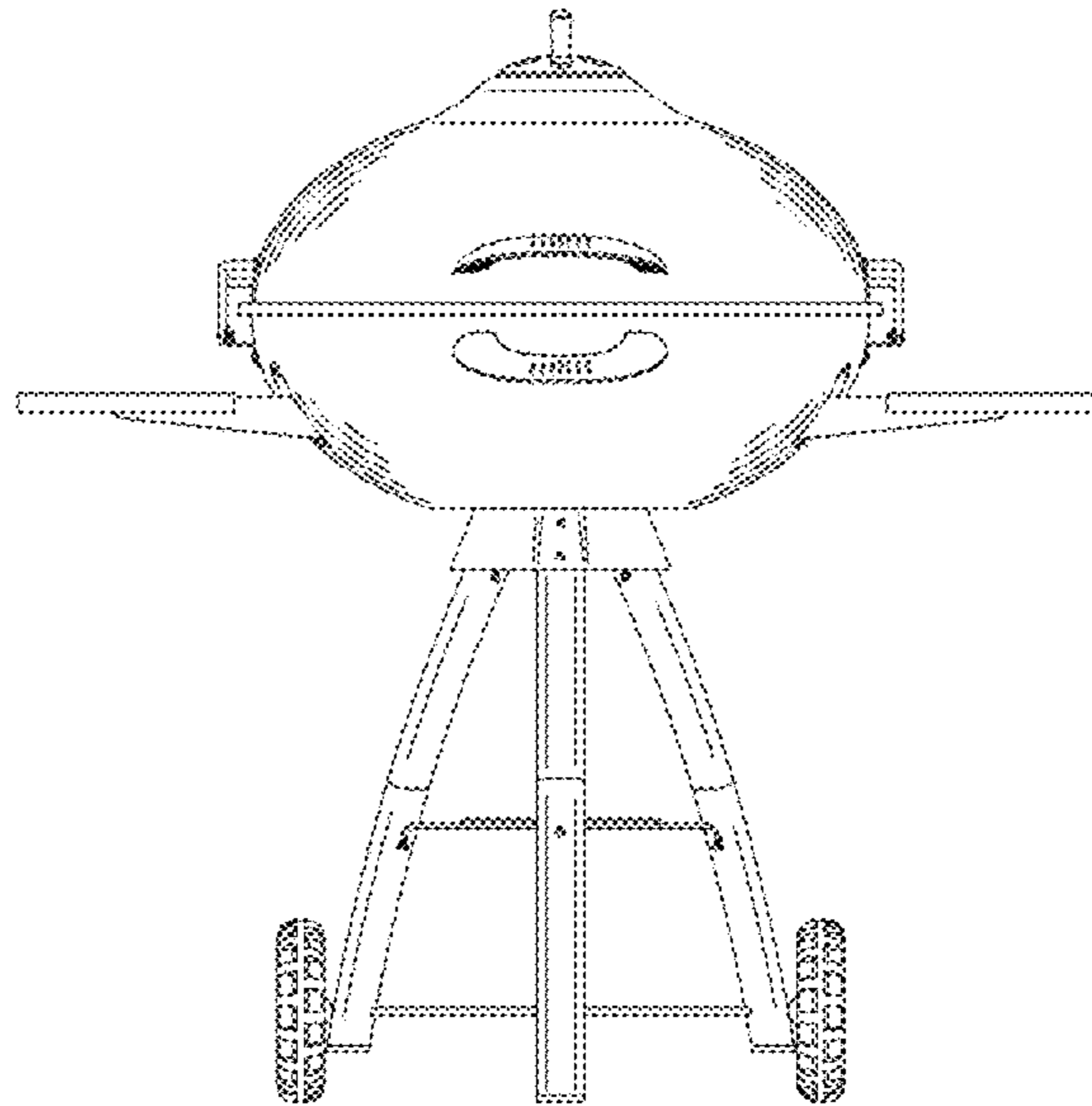
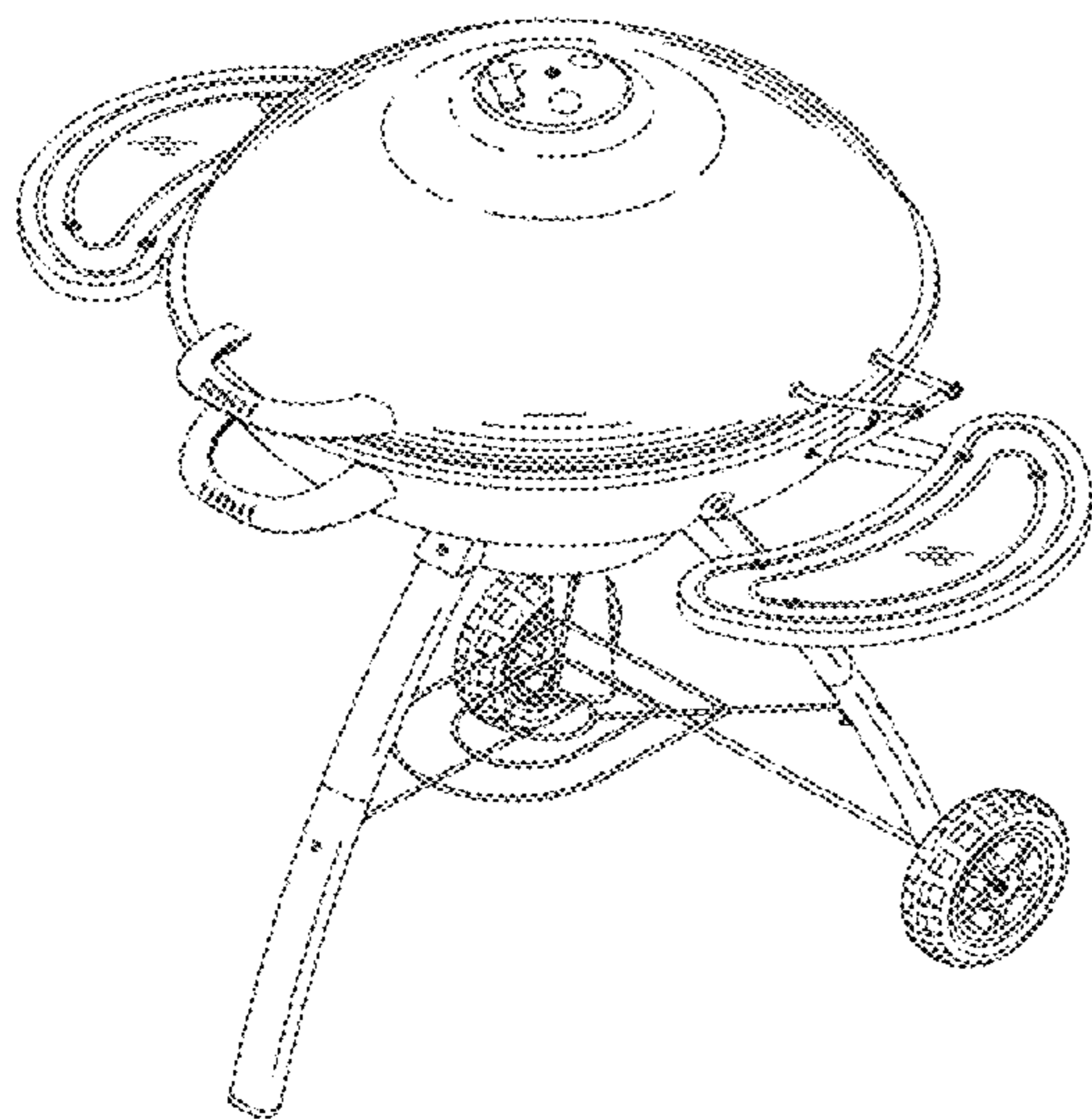
(57) **CLAIM**

The ornamental design for a barbeque grill, as shown and described.

DESCRIPTION

FIG. 1 is a perspective view of a barbeque grill showing my new design;
FIG. 2 is a front elevation view thereof;
FIG. 3 is a rear elevation view thereof;
FIG. 4 is a left side elevation view thereof;
FIG. 5 is a right side elevation view thereof;
FIG. 6 is a top plan view thereof; and,
FIG. 7 is bottom plan view thereof; and,
FIG. 8 is a perspective view of showing the lid in an open position.

1 Claim, 8 Drawing Sheets



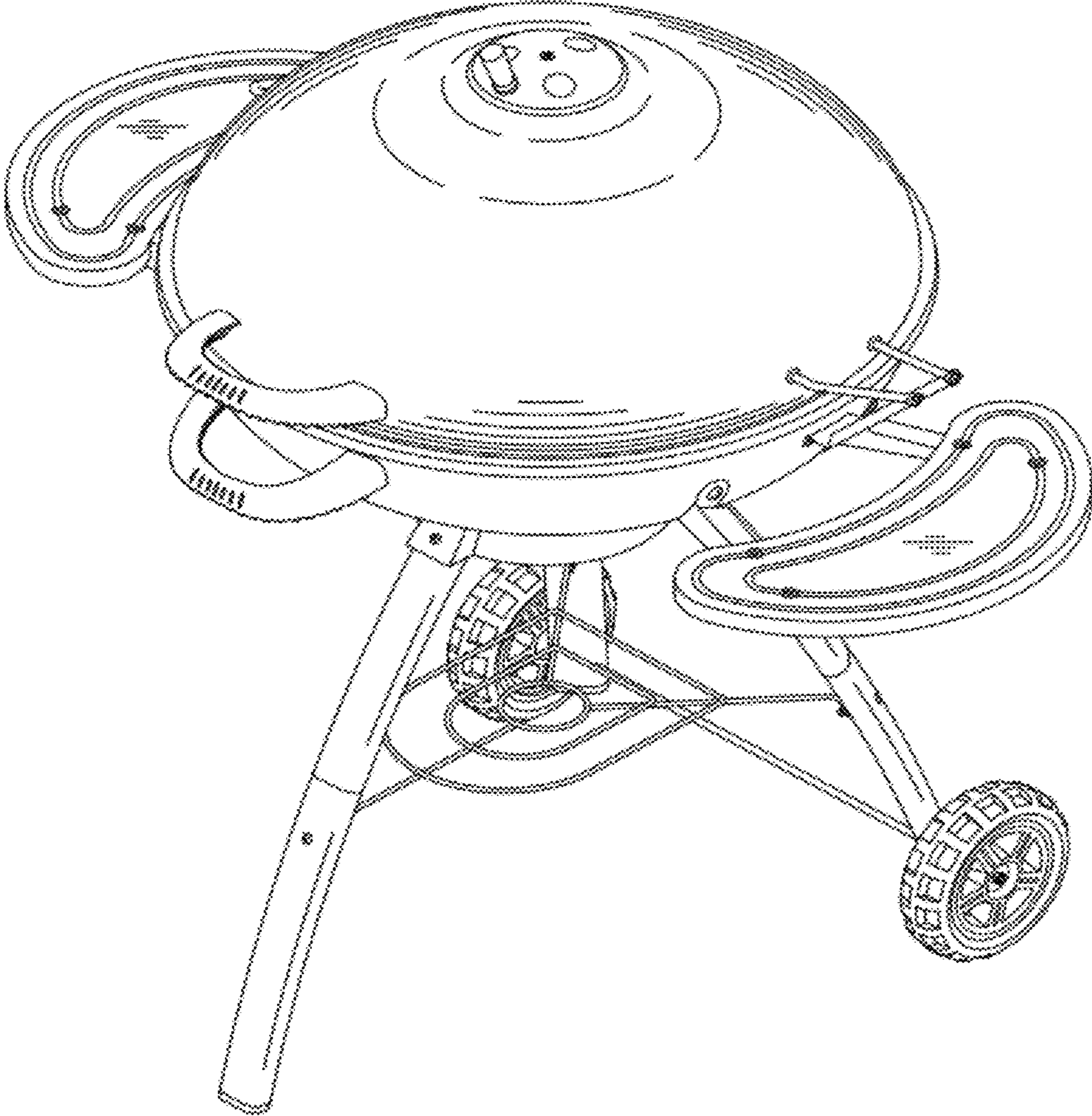


FIG. 1

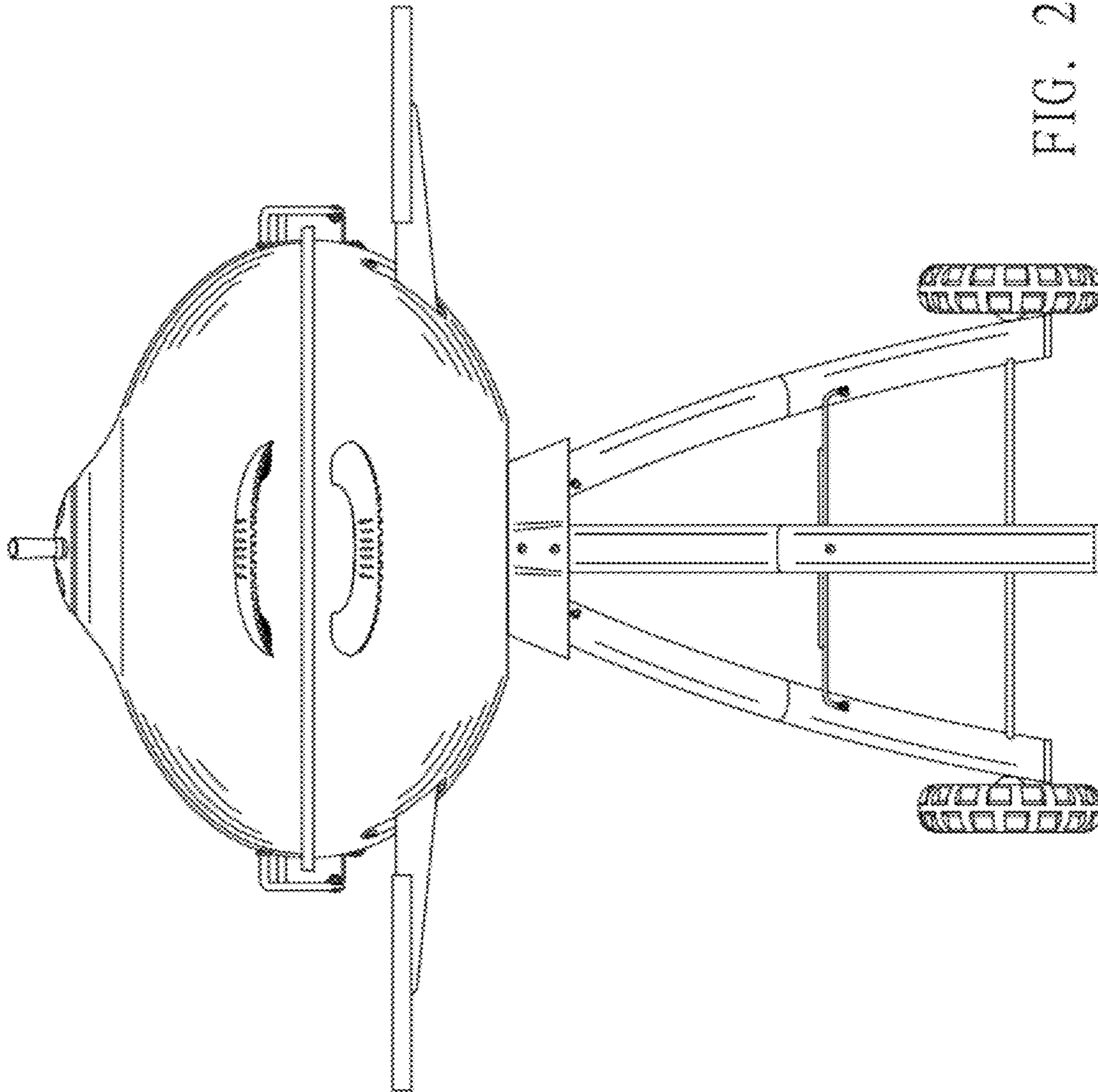


FIG. 2

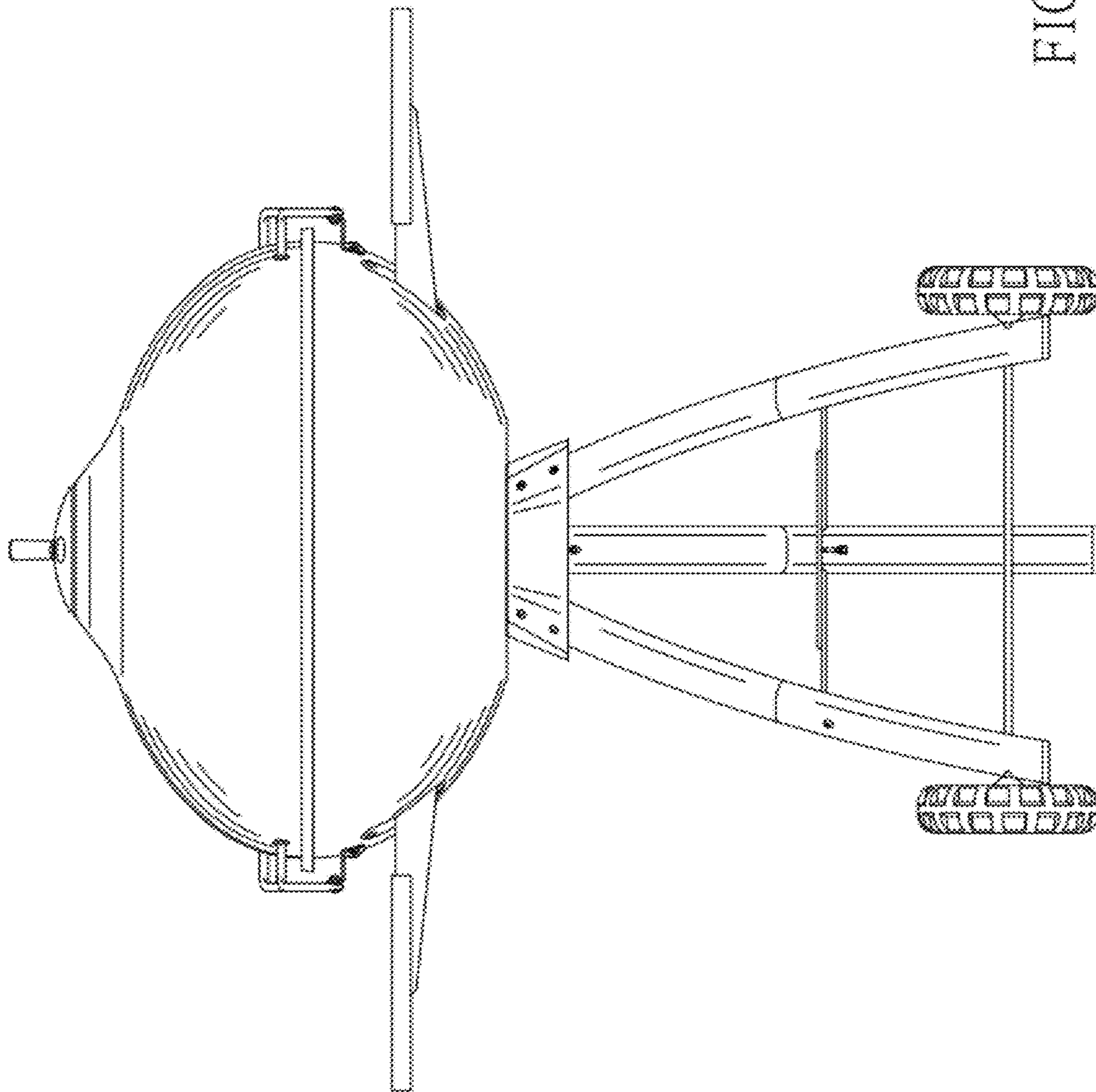


FIG. 3

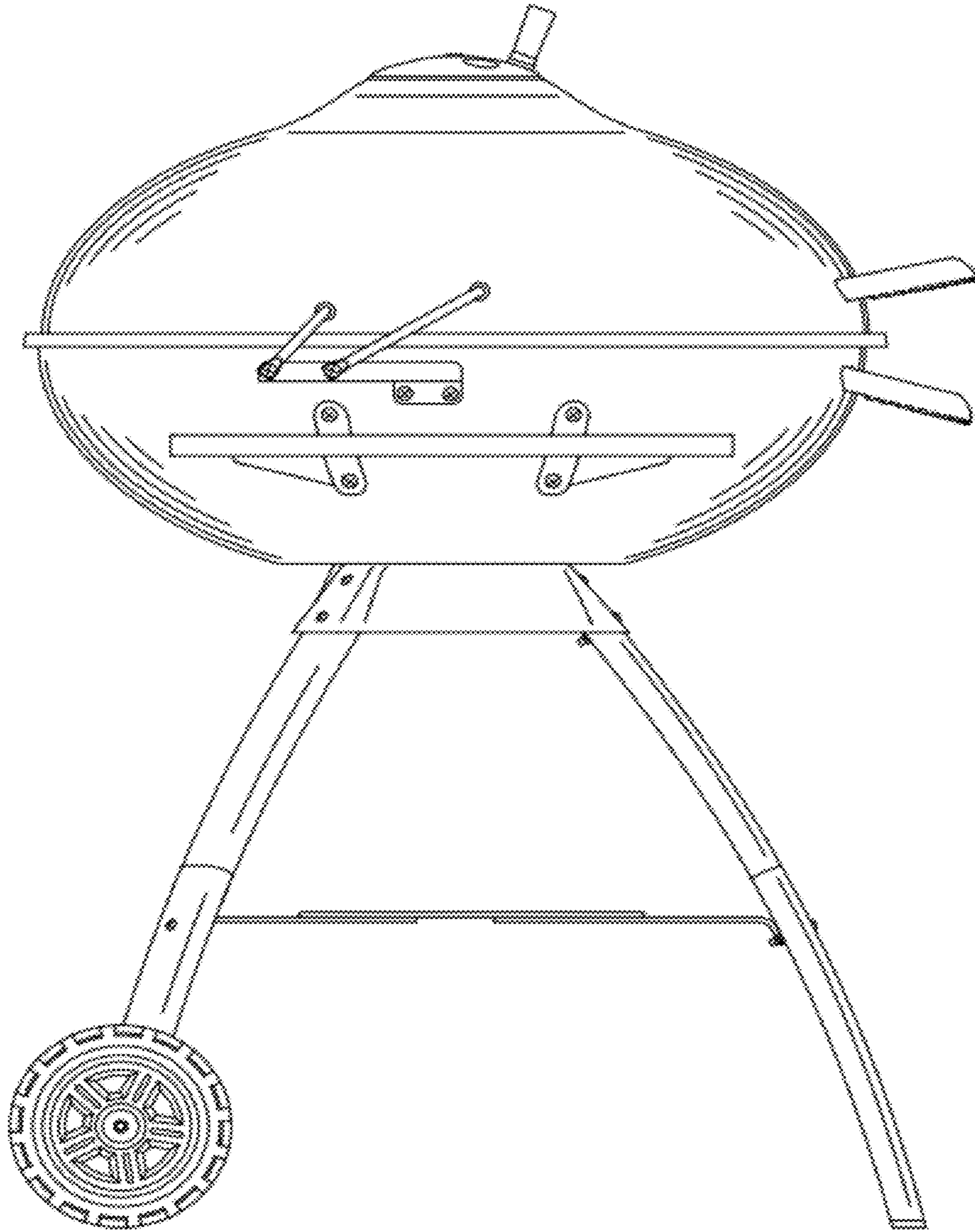


FIG. 4

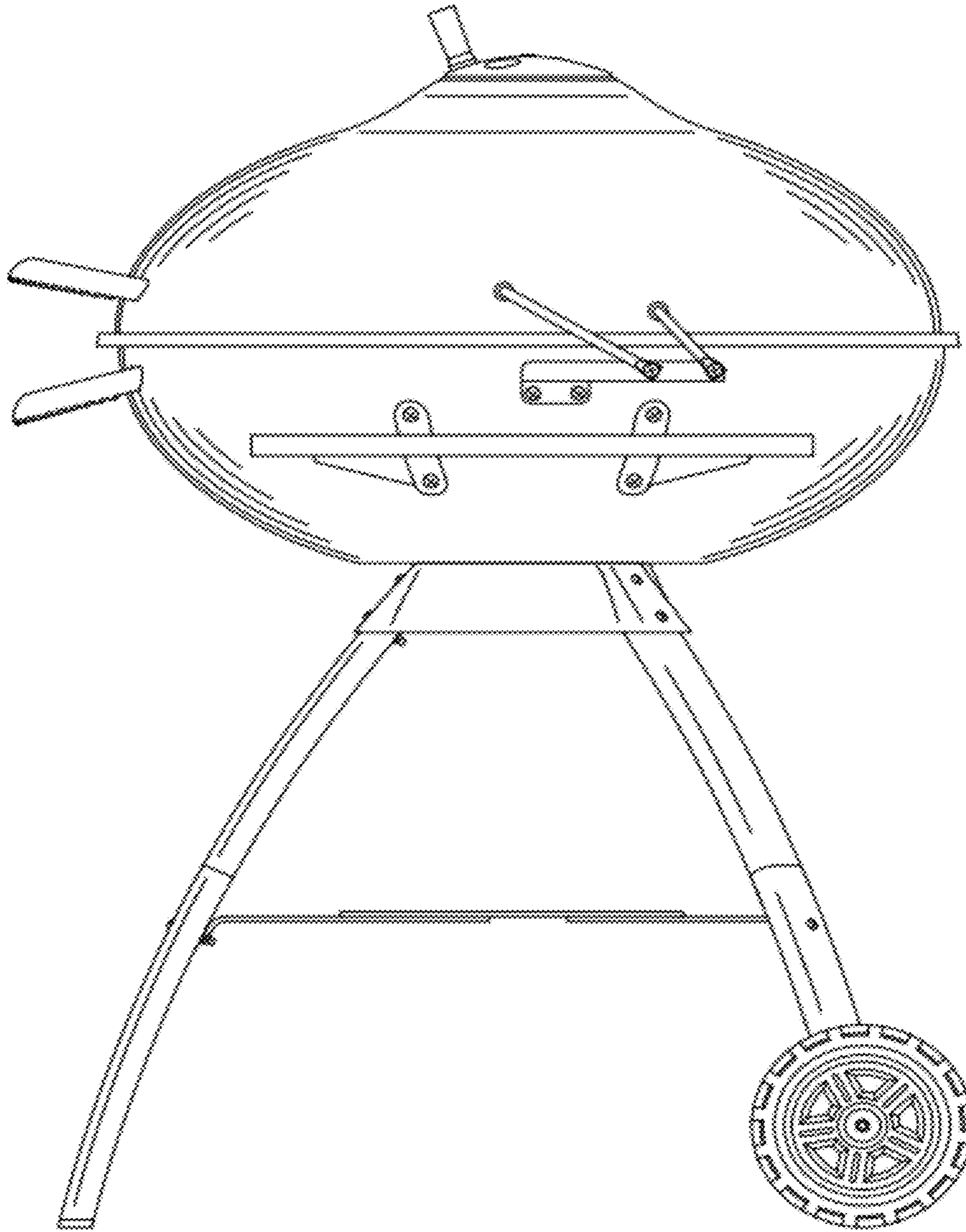


FIG. 5

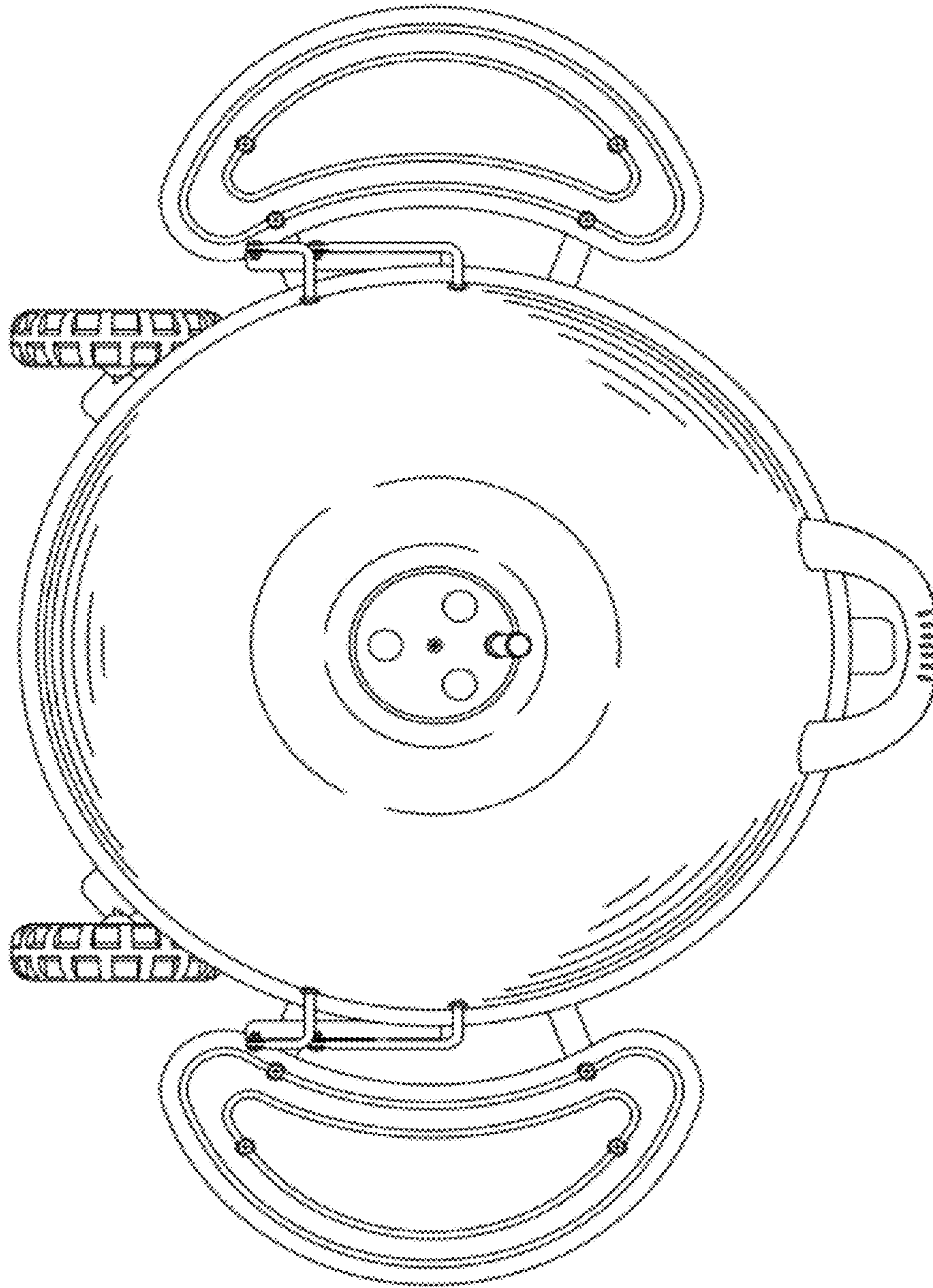


FIG. 6

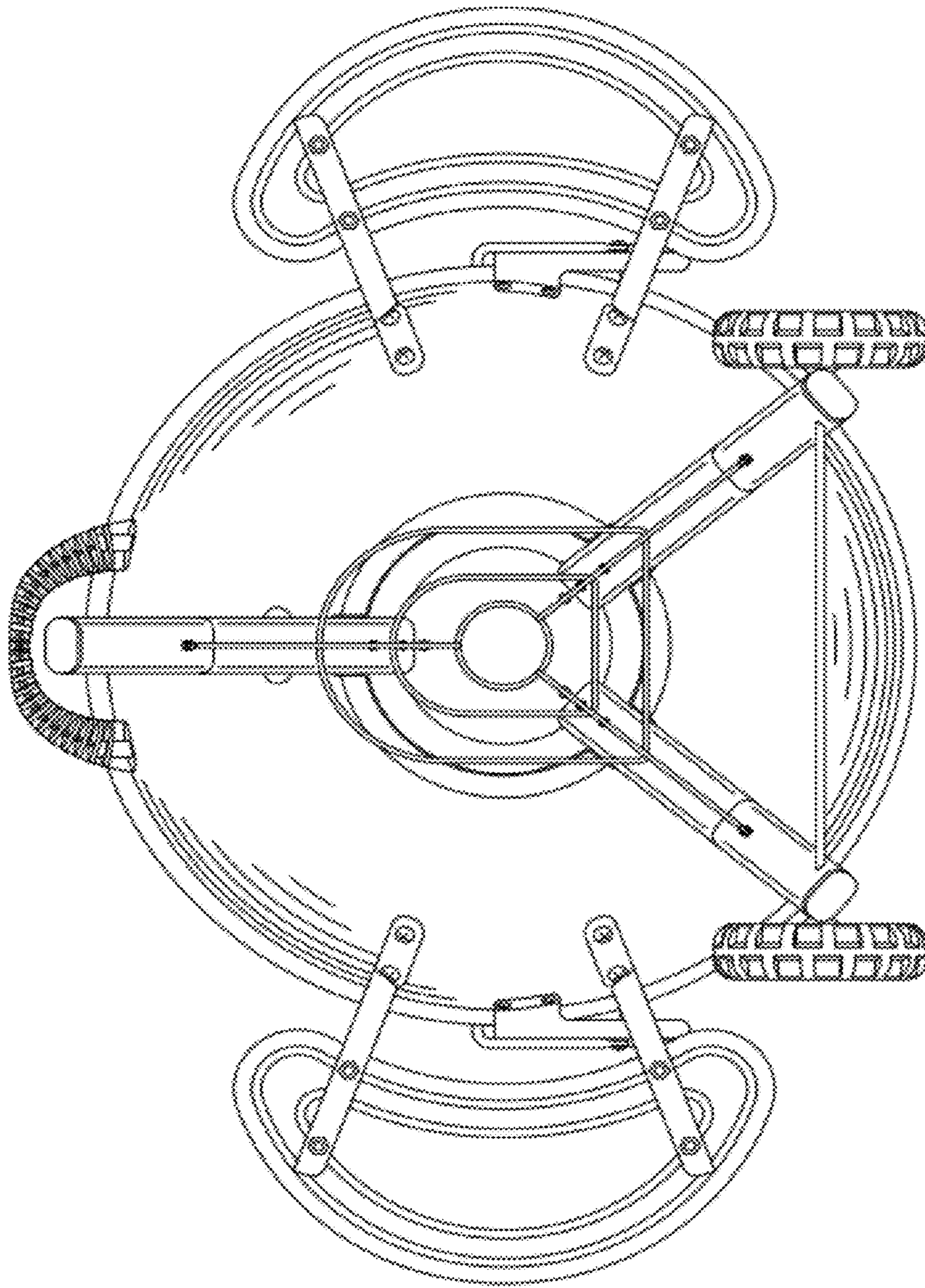


FIG. 7

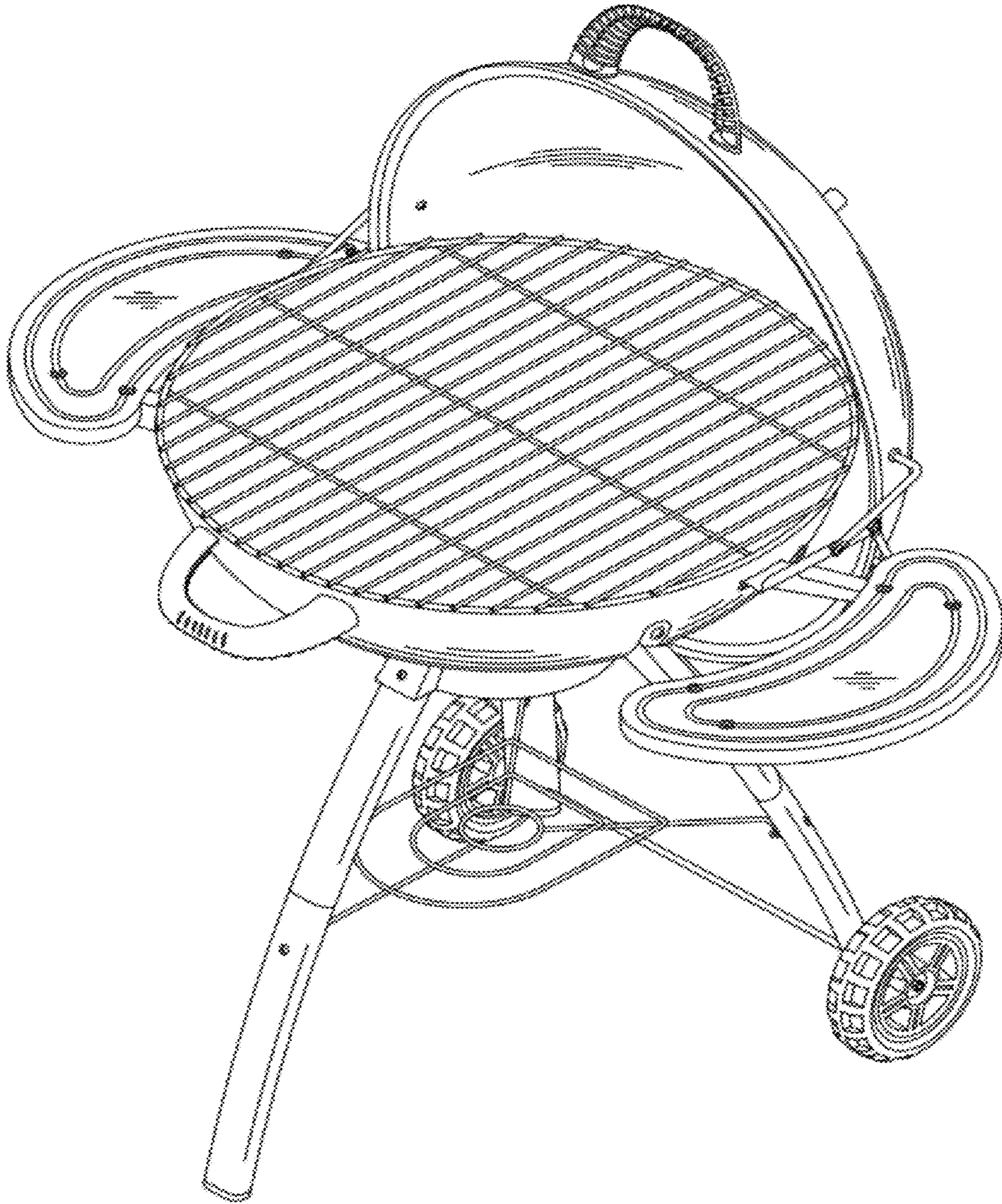


FIG. 8