



US00D656773S

(12) **United States Design Patent**
May

(10) **Patent No.:** **US D656,773 S**
(45) **Date of Patent:** **** Apr. 3, 2012**

- (54) **GRILL**
- (75) Inventor: **Randall May**, Plano, TX (US)
- (73) Assignee: **The Brinkmann Corporation**, Dallas, TX (US)
- (**) Term: **14 Years**
- (21) Appl. No.: **29/389,327**
- (22) Filed: **Apr. 8, 2011**
- (51) **LOC (9) Cl.** **07-02**
- (52) **U.S. Cl.** **D7/334**
- (58) **Field of Classification Search** D7/332, D7/334-337, 402-405, 338, 417; 126/25 R, 126/25 A, 25 AA, 25 B, 273 R, 9 R, 38, 40, 126/9 B, 48, 29-30, 43-44, 26, 372, 314, 126/307 R, 312, 292; 99/339, 448, 449, 99/481-482, 516, 340-341; 431/331
See application file for complete search history.

- D417,359 S * 12/1999 Dutro et al. D7/332
- D426,101 S 6/2000 Pai
- D430,772 S 9/2000 Ganard
- D433,279 S 11/2000 Schlosser et al.
- D437,177 S 2/2001 Giebel et al.
- D450,215 S 11/2001 Wood et al.
- D450,216 S 11/2001 Wood et al.
- D454,276 S 3/2002 Pai
- D461,359 S 8/2002 Coleman et al.
- D462,227 S 9/2002 Alden et al.
- D462,562 S * 9/2002 Wood D7/332
- D465,123 S 11/2002 Coleman et al.
- D465,383 S * 11/2002 Mosher et al. D7/402
- D466,367 S 12/2002 Johnson et al.
- D466,756 S 12/2002 Bossler et al.
- D470,357 S 2/2003 Home
- D471,057 S 3/2003 Chung
- D472,756 S 4/2003 Pai
- D473,095 S * 4/2003 Nguyen D7/334
- D475,235 S 6/2003 Home
- D476,188 S 6/2003 Wood
- 6,595,198 B2 * 7/2003 Mosher et al. 126/38
- D478,463 S * 8/2003 Mouly D7/334
- D485,467 S 1/2004 Pai

(Continued)

(56) **References Cited**

U.S. PATENT DOCUMENTS

- 4,106,473 A * 8/1978 Wandel 126/25 R
- D283,589 S 4/1986 Erlandson et al.
- D293,067 S 12/1987 Stephen et al.
- 4,718,399 A 1/1988 Shepherd
- 4,886,045 A 12/1989 Ducate, Jr. et al.
- D316,355 S 4/1991 Stephen et al.
- 5,033,449 A 7/1991 Hanagan
- D324,622 S 3/1992 Baynes et al.
- 5,109,834 A 5/1992 Collins et al.
- D337,021 S 7/1993 Boetto et al.
- 5,242,703 A 9/1993 Stewart
- 5,284,671 A 2/1994 Stewart
- 5,327,879 A 7/1994 Ferraro
- D362,153 S 9/1995 Home
- 5,782,166 A 7/1998 Lin
- D404,963 S 2/1999 Schlosser et al.
- D406,488 S 3/1999 Bates et al.
- D406,489 S 3/1999 Williams et al.
- D406,490 S 3/1999 Daniels et al.

Primary Examiner — Ruth McInroy

(74) *Attorney, Agent, or Firm* — Sheppard, Mullin, Richter & Hampton LLP

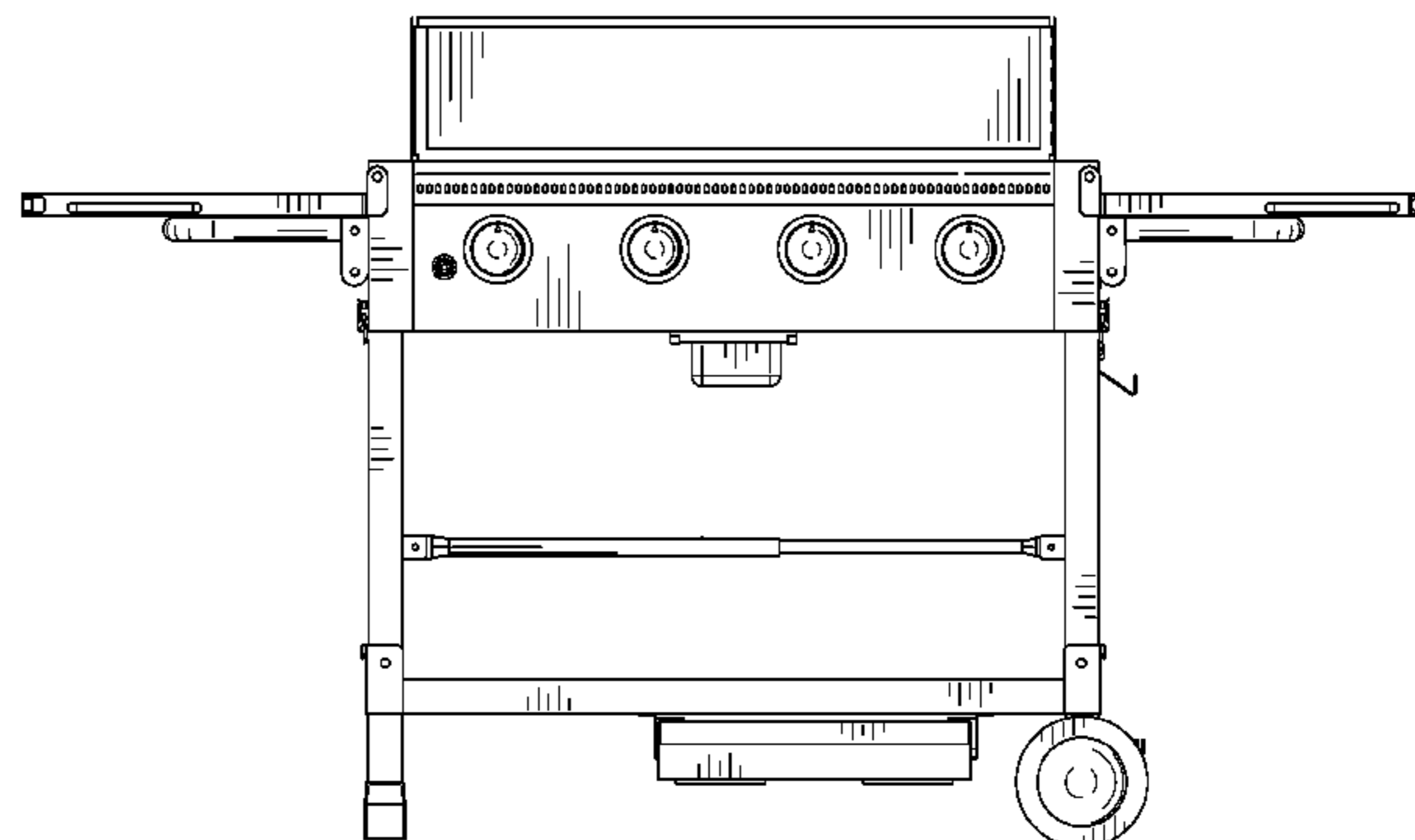
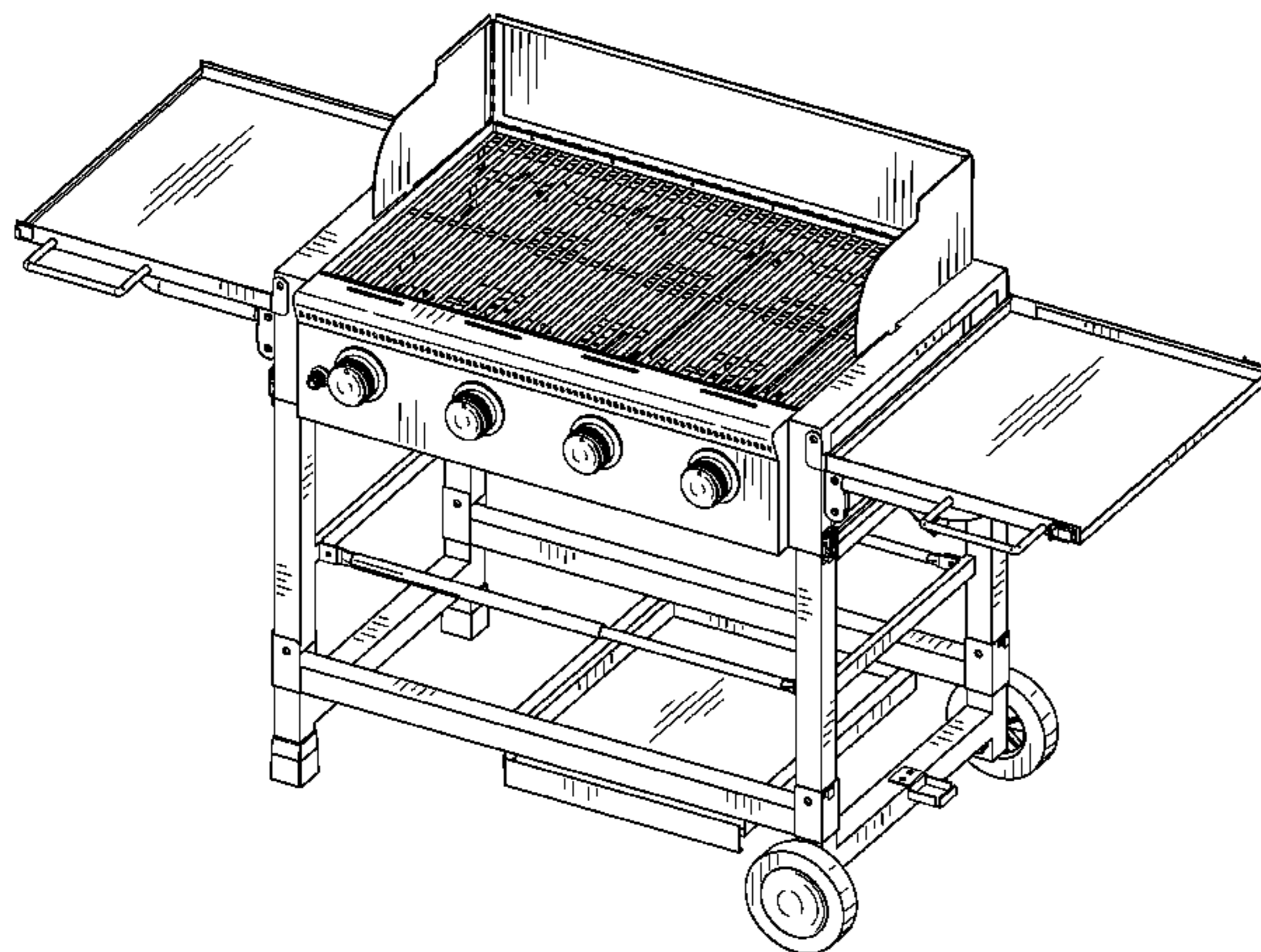
(57) **CLAIM**

I claim the ornamental design for a grill, as shown and described.

DESCRIPTION

FIG. 1 is a perspective view of the grill showing the new design;
 FIG. 2 is a front elevational view thereof;
 FIG. 3 is a rear elevational view thereof;
 FIG. 4 is a right side elevational view thereof;
 FIG. 5 is a left side elevational view thereof; and,
 FIG. 6 is a top plan view thereof.

1 Claim, 5 Drawing Sheets



US D656,773 S

Page 2

U.S. PATENT DOCUMENTS

D489,221 S	5/2004	Pai	D547,109 S	7/2007	Tseng	
6,739,558 B2	5/2004	Stephen et al.	D549,511 S	8/2007	Chung	
D494,004 S	8/2004	Chapman	D549,512 S	8/2007	Chung	
D497,280 S	10/2004	Pai	D549,514 S	8/2007	Chung	
D499,928 S	12/2004	Zhang	D560,415 S	1/2008	Wood et al.	
D501,116 S	1/2005	Zhang	D560,416 S	1/2008	Sedberry et al.	
D503,065 S	3/2005	Pai	D560,417 S	1/2008	Ho et al.	
D508,363 S	8/2005	Chung	D560,418 S	1/2008	Chau et al.	
6,925,998 B2	8/2005	Bruno et al.	D560,419 S	1/2008	Lockhart et al.	
6,935,327 B1	8/2005	Williams et al.	D563,150 S	3/2008	Chau et al.	
D516,367 S	3/2006	Lutz et al.	D566,456 S	4/2008	Profitt	
D520,298 S	5/2006	Huegerich et al.	D569,168 S	5/2008	Pai	
D521,308 S	5/2006	Tseng	D571,142 S	6/2008	Chung	
D525,073 S	7/2006	Wilgus et al.	D571,602 S	6/2008	Chung	
D528,349 S	9/2006	Chung	D571,604 S	6/2008	Chung	
D529,331 S	10/2006	Chung	D571,605 S	6/2008	Chung	
D533,010 S	12/2006	Pai	D579,260 S *	10/2008	Zischke	D7/332
D535,139 S	1/2007	Lutz	D581,198 S	11/2008	Chau	
D536,918 S	2/2007	Wood	D581,199 S	11/2008	Chau	
D541,575 S	5/2007	Lutz	D584,562 S	1/2009	Chau et al.	
D544,289 S	6/2007	Tseng	D586,609 S	2/2009	Chau	
D546,116 S	7/2007	Tseng	2002/0148458 A1 *	10/2002	Andress	126/25 R
D547,108 S	7/2007	Tseng	2007/0089724 A1 *	4/2007	Home	126/9 R

* cited by examiner

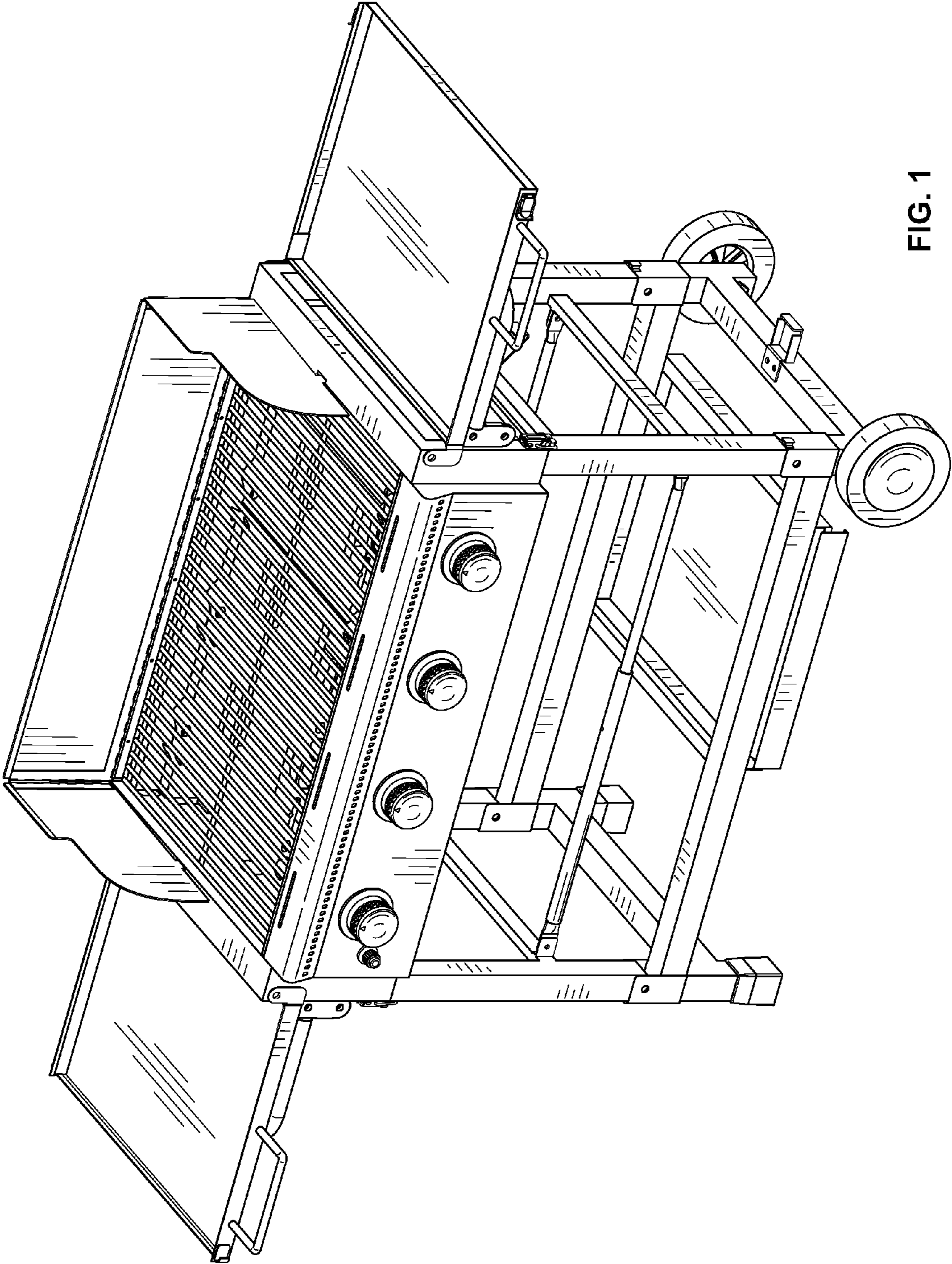


FIG. 1

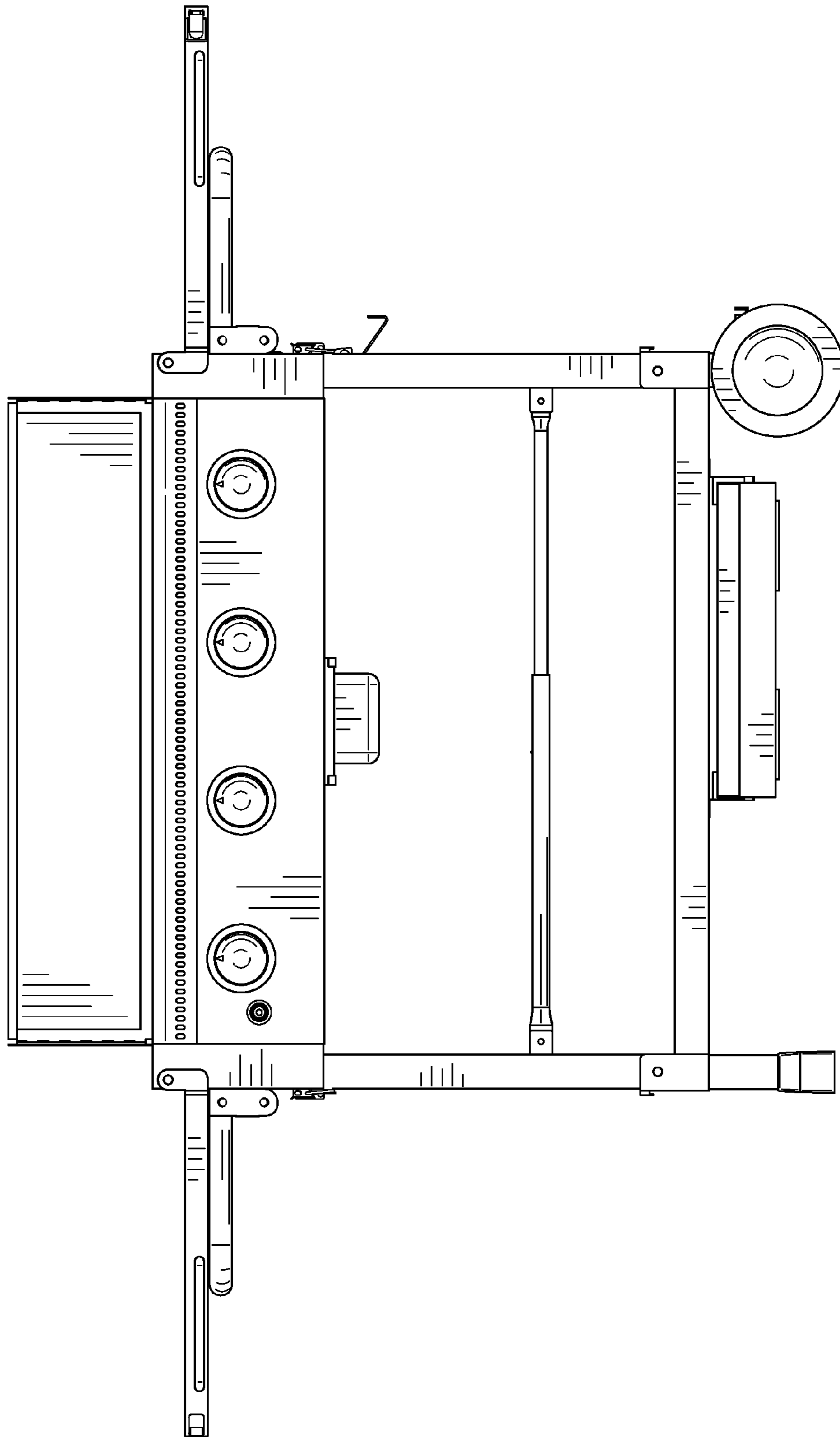


FIG. 2

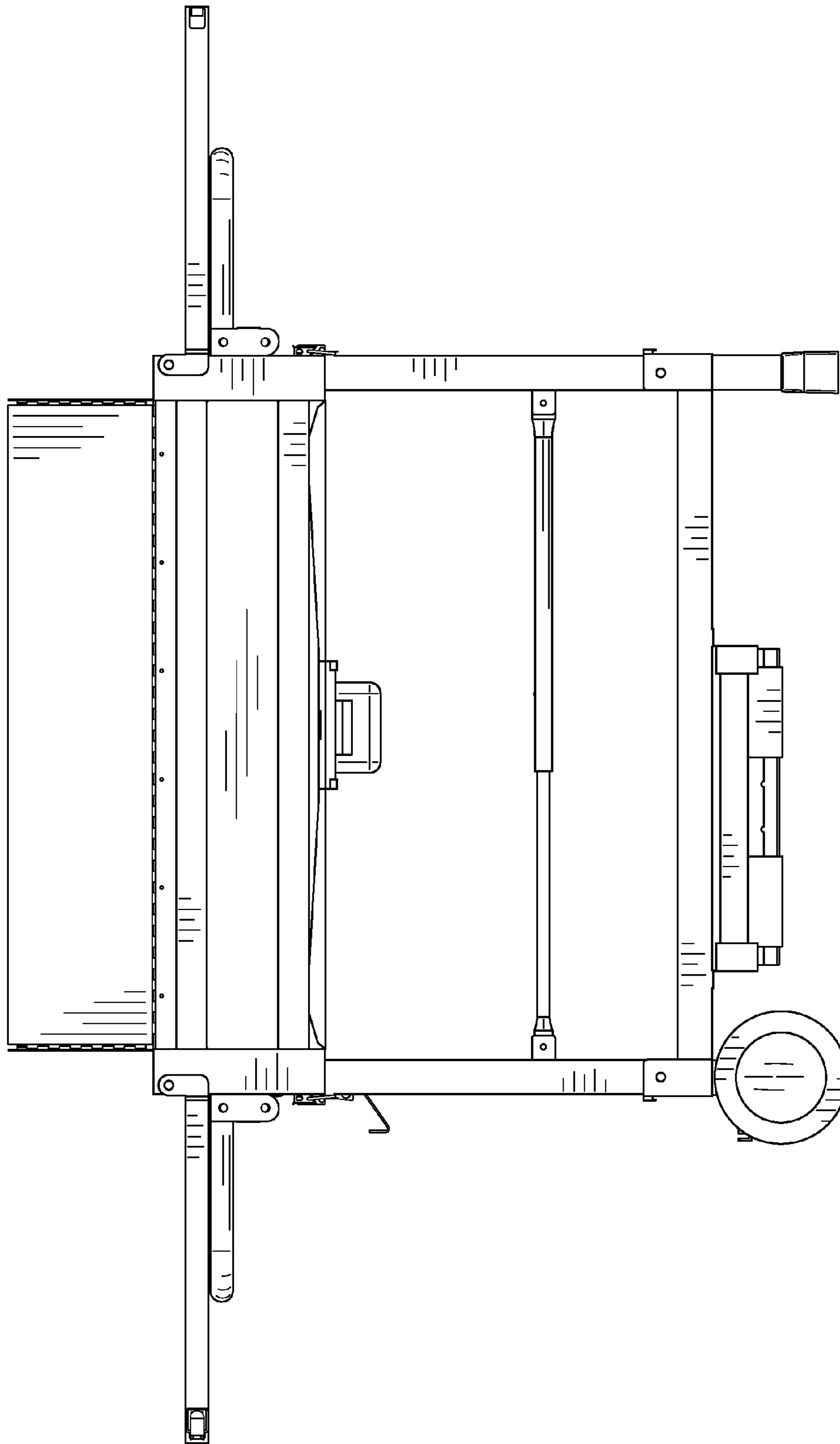


FIG. 3

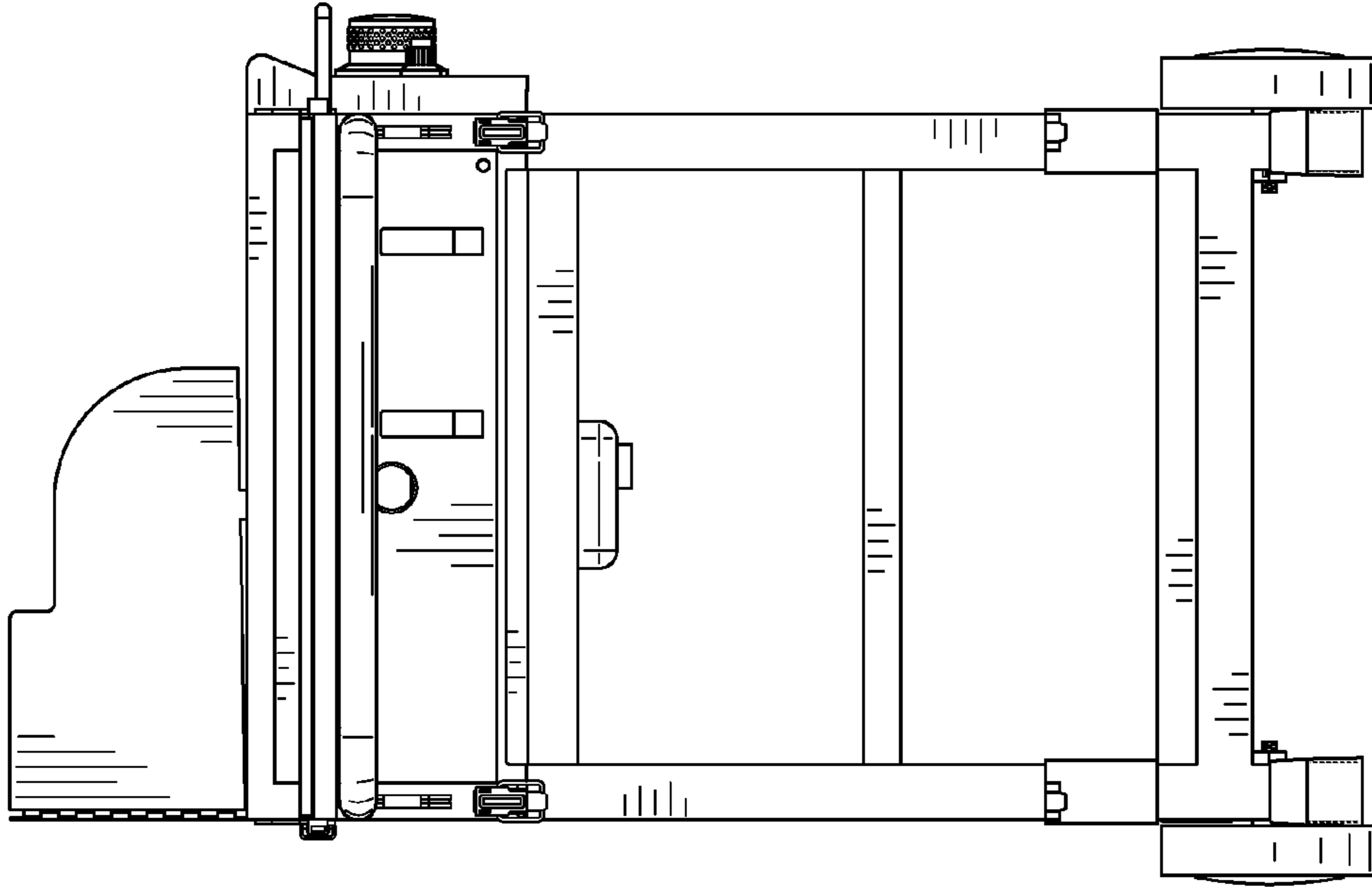


FIG. 5

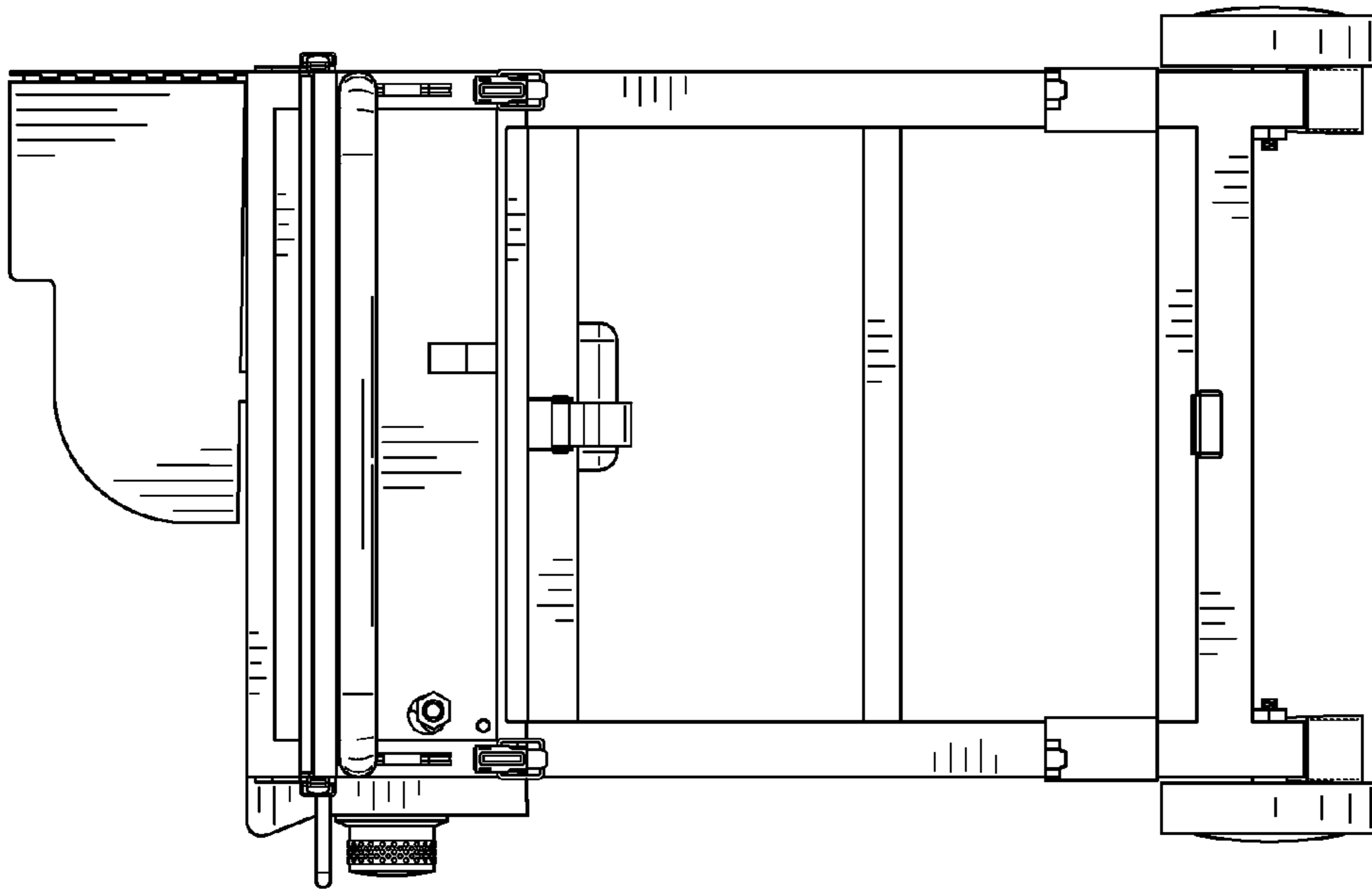


FIG. 4

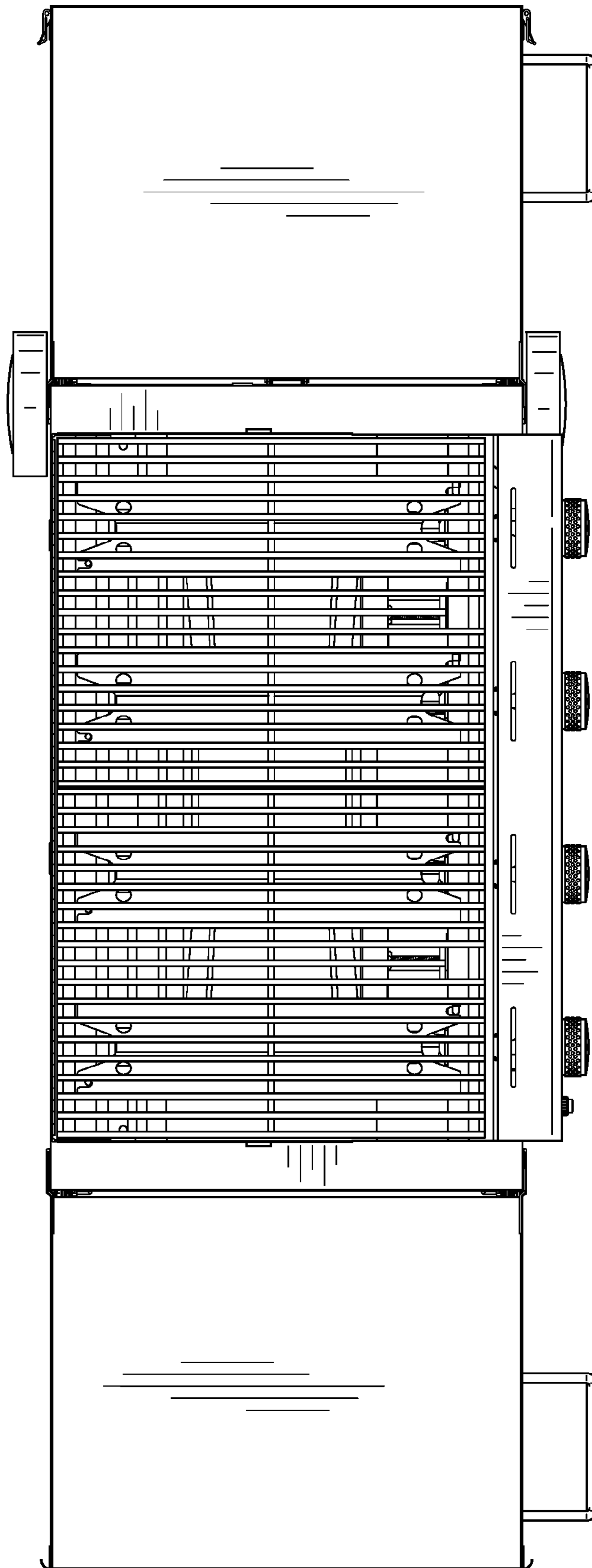


FIG. 6