



US00D656772S

(12) **United States Design Patent**
Regamey et al.

(10) **Patent No.:** **US D656,772 S**

(45) **Date of Patent:** **** Apr. 3, 2012**

(54) **BEVERAGE DISPENSER**

(75) Inventors: **Damien Regamey**, La Chaux-de-Fonds (CH); **Remy Jacquet**, La Chaux-de-Fonds (CH); **Sebastien Dassi**, La Chaux-de-Fonds (CH); **Yves Marmier**, La Chaux-de-Fonds (CH)

(73) Assignee: **Societe des Produits Nestle S.A.**, Vevey (CH)

(**) Term: **14 Years**

(21) Appl. No.: **29/387,585**

(22) Filed: **Mar. 15, 2011**

(30) **Foreign Application Priority Data**

Oct. 19, 2010 (CH) 137345

(51) **LOC (9) Cl.** **07-01**

(52) **U.S. Cl.** **D7/306; D7/311**

(58) **Field of Classification Search** D7/306–308, D7/301, 300, 309–311; D23/207, 209; D20/5; 210/335; 220/23.83, 435; 99/295

See application file for complete search history.

(56) **References Cited**

U.S. PATENT DOCUMENTS

D185,006 S *	4/1959	Langurvin	D7/311
D243,141 S *	1/1977	Mantelet	D7/309
D317,546 S *	6/1991	Rakocy et al.	D7/309
D401,477 S *	11/1998	Martindale	D7/590
D450,974 S *	11/2001	Scullion et al.	D7/306
D610,388 S *	2/2010	Hazan et al.	D7/306
D621,647 S *	8/2010	Jacquet et al.	D7/306
D623,463 S *	9/2010	Struzka et al.	D7/309
D646,105 S *	10/2011	Deo et al.	D7/306

* cited by examiner

Primary Examiner — Marianne Pandozzi

(74) *Attorney, Agent, or Firm* — K&L Gates LLP

(57) **CLAIM**

The ornamental design for a beverage dispenser, as shown and described.

DESCRIPTION

FIG. 1 is a right front perspective view of a beverage dispenser showing our new design;

FIG. 2 is a right rear perspective view thereof;

FIG. 3 is a front elevation view thereof;

FIG. 4 is a rear elevation view thereof;

FIG. 5 is a right side elevation view thereof;

FIG. 6 is a left side elevation view thereof;

FIG. 7 is a top view thereof;

FIG. 8 is a bottom view thereof;

FIG. 9 is a right front perspective view of a beverage dispenser showing a second embodiment of our new design;

FIG. 10 is a right rear perspective view of the beverage dispenser of FIG. 9;

FIG. 11 is a front elevation view of the beverage dispenser of FIG. 9;

FIG. 12 is a rear elevation view of the beverage dispenser of FIG. 9;

FIG. 13 is a right side elevation view of the beverage dispenser of FIG. 9;

FIG. 14 is a left side elevation view of the beverage dispenser of FIG. 9;

FIG. 15 is a top view of the beverage dispenser of FIG. 9; and,

FIG. 16 is a bottom plan view thereof.

1 Claim, 14 Drawing Sheets

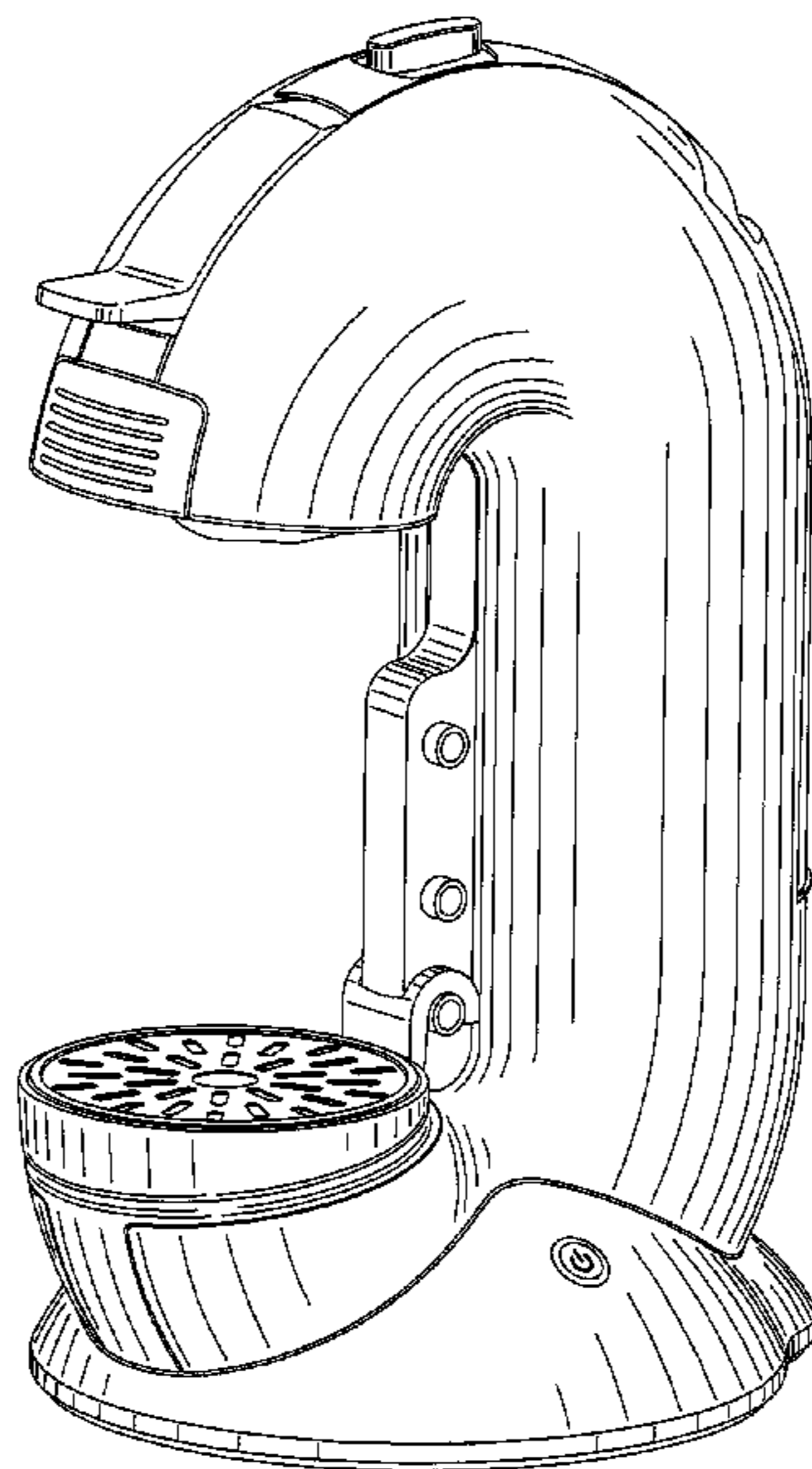


FIG. 1

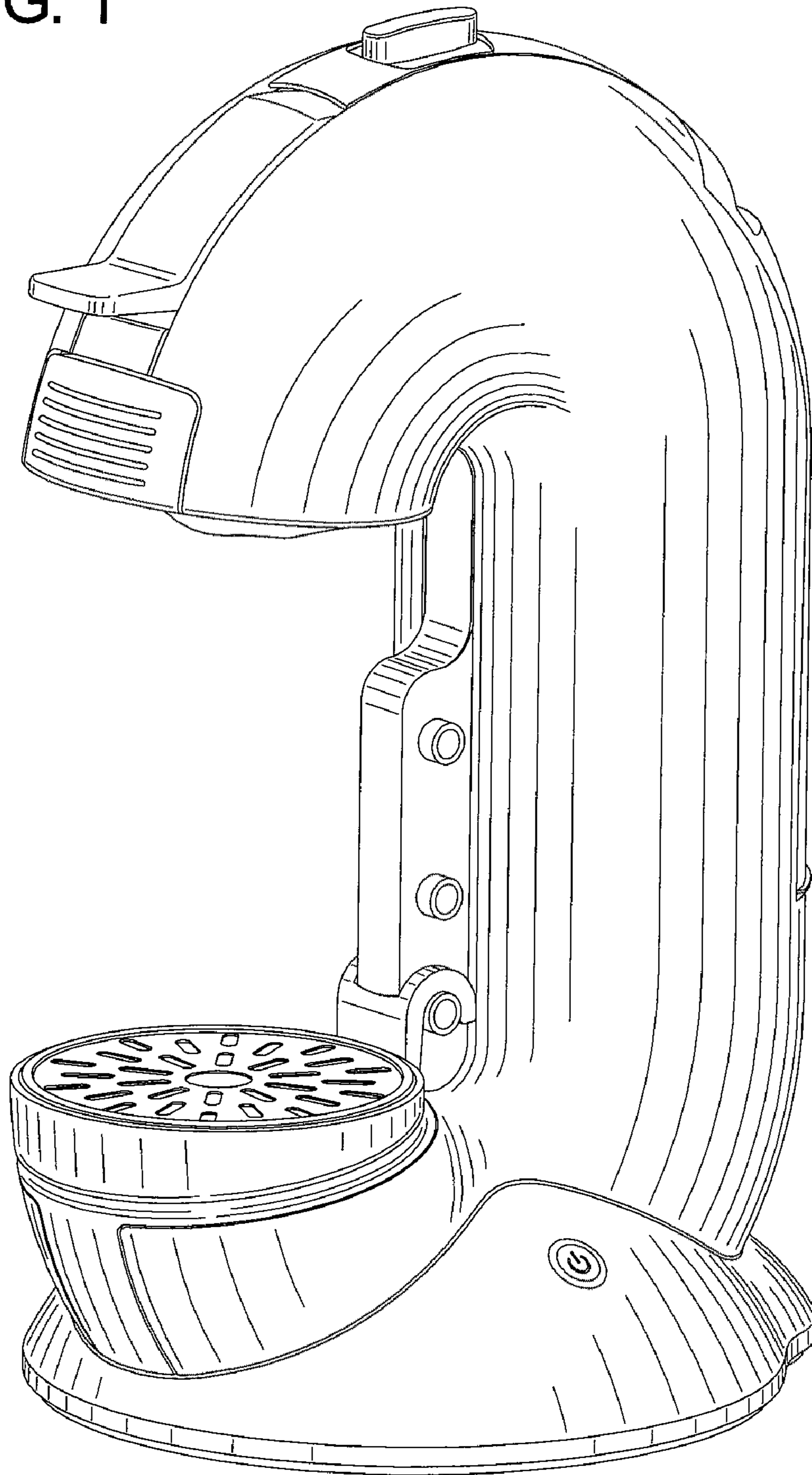


FIG. 2

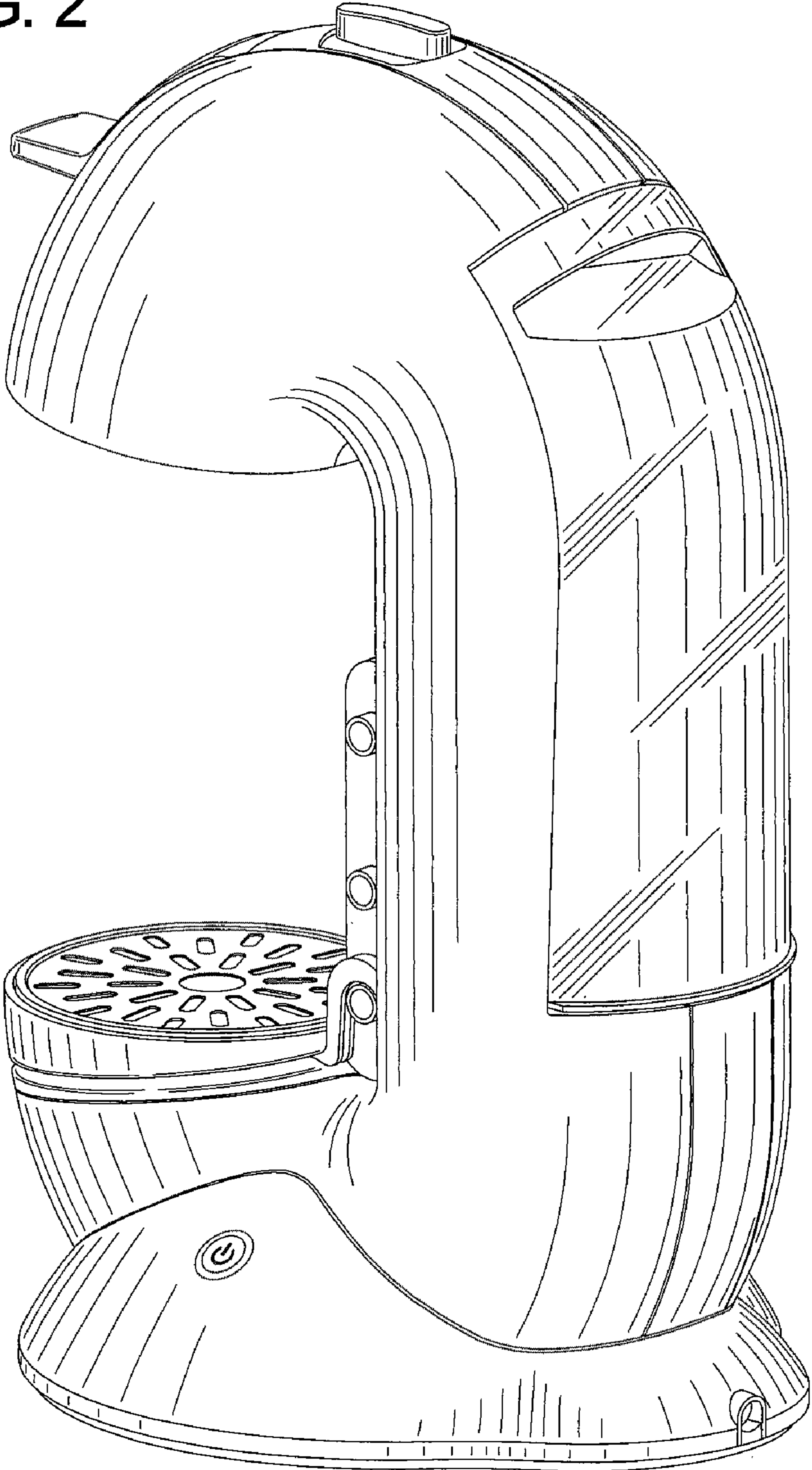


FIG. 3

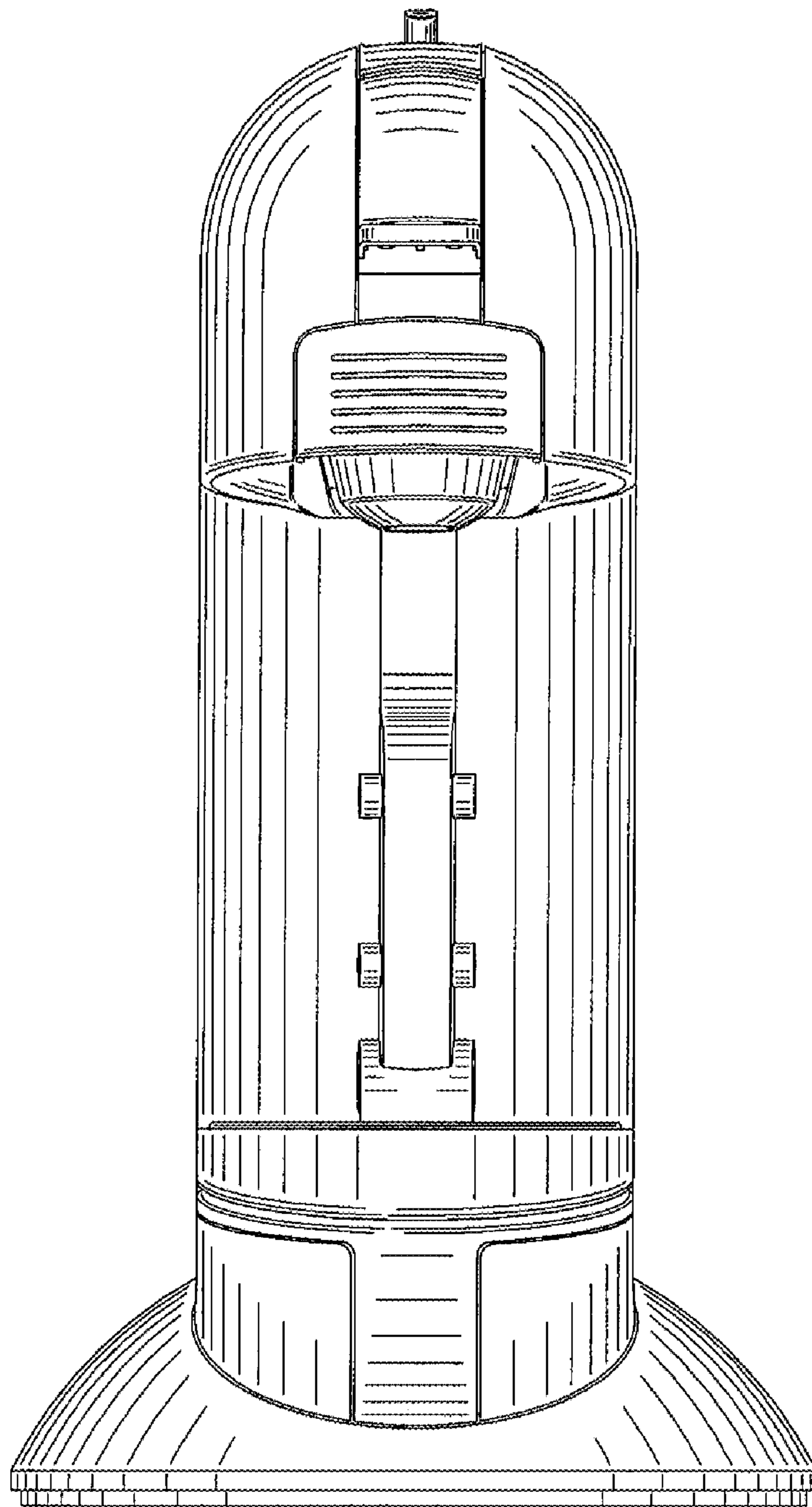


FIG. 4

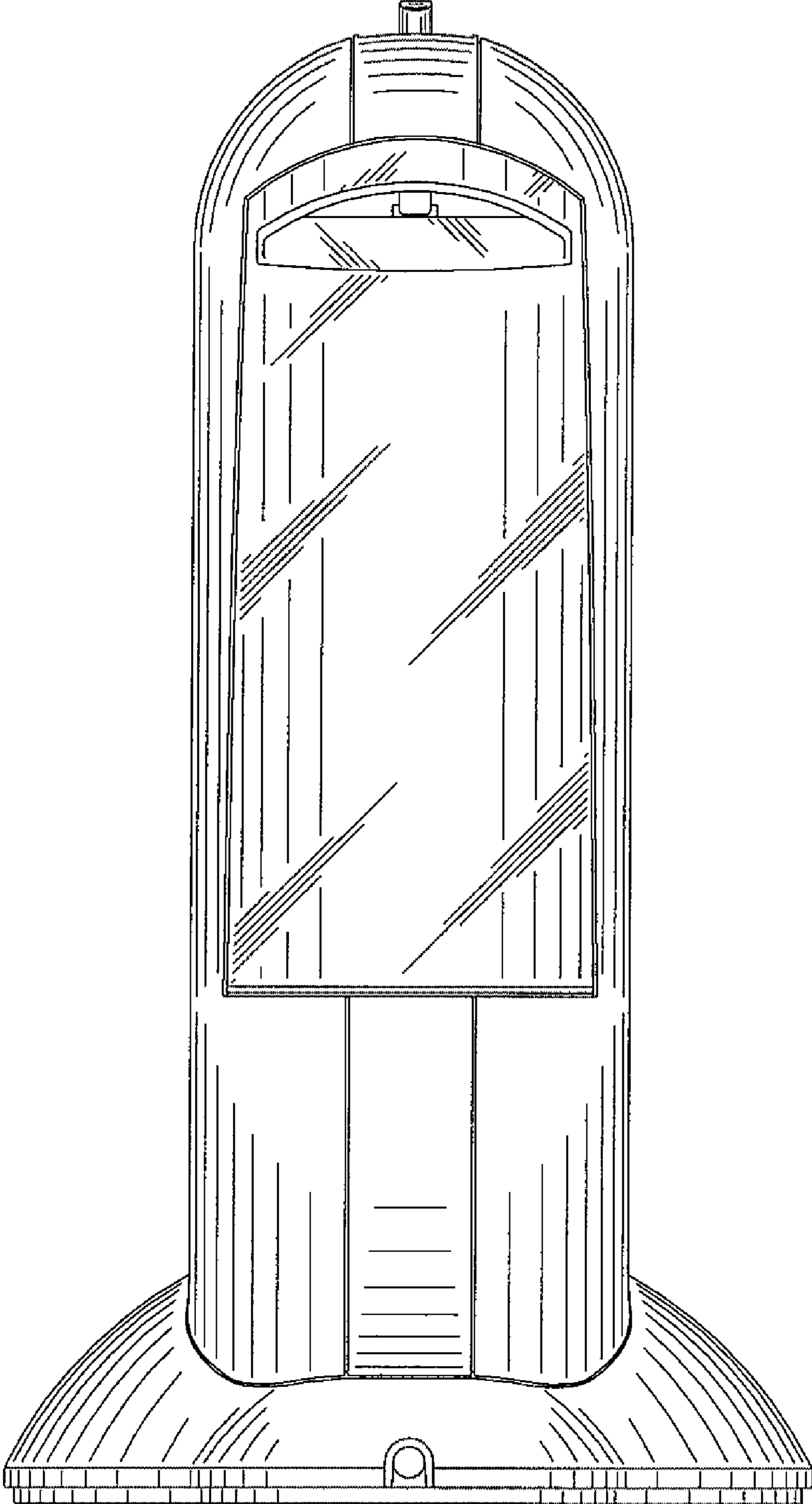


FIG. 5

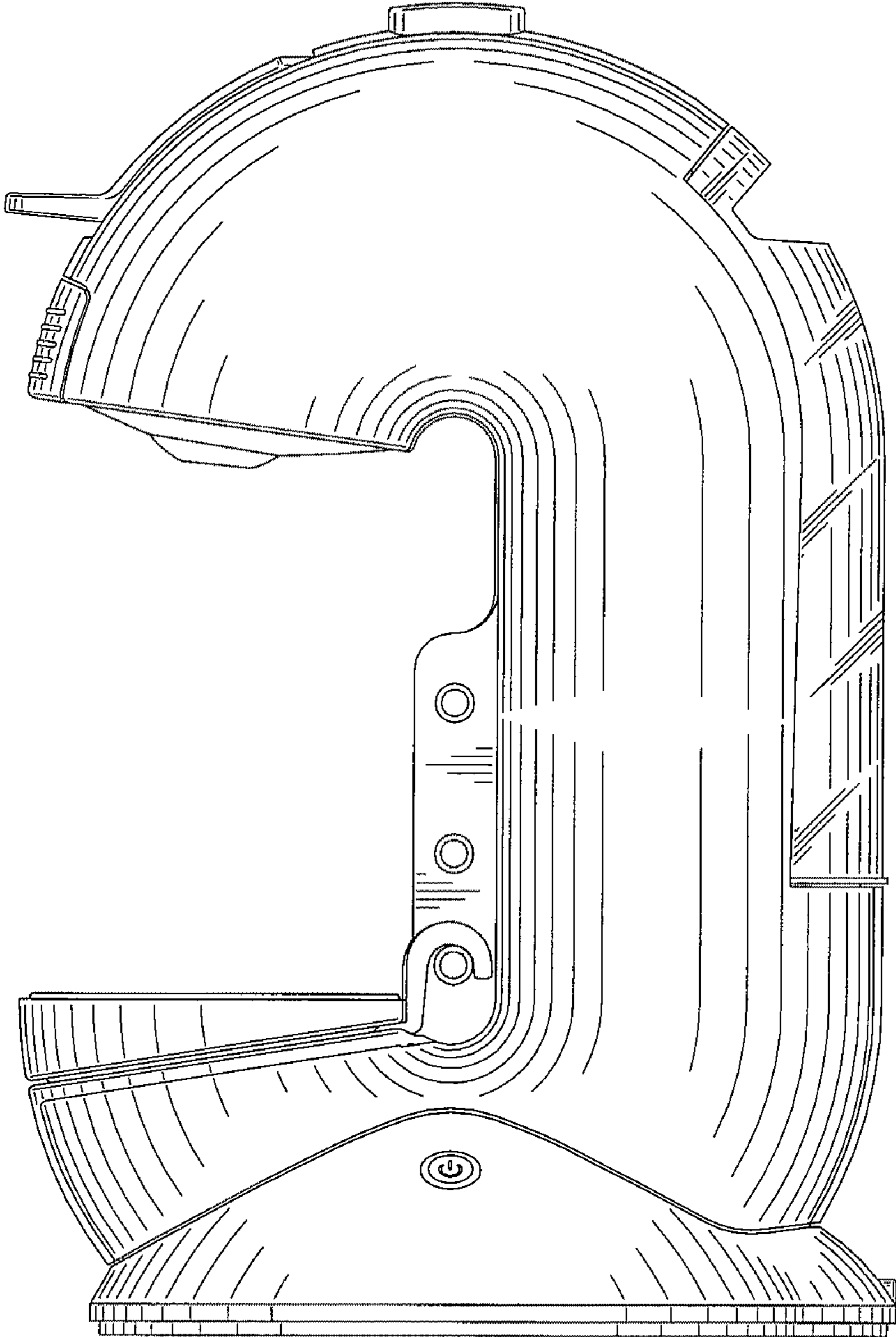


FIG. 6

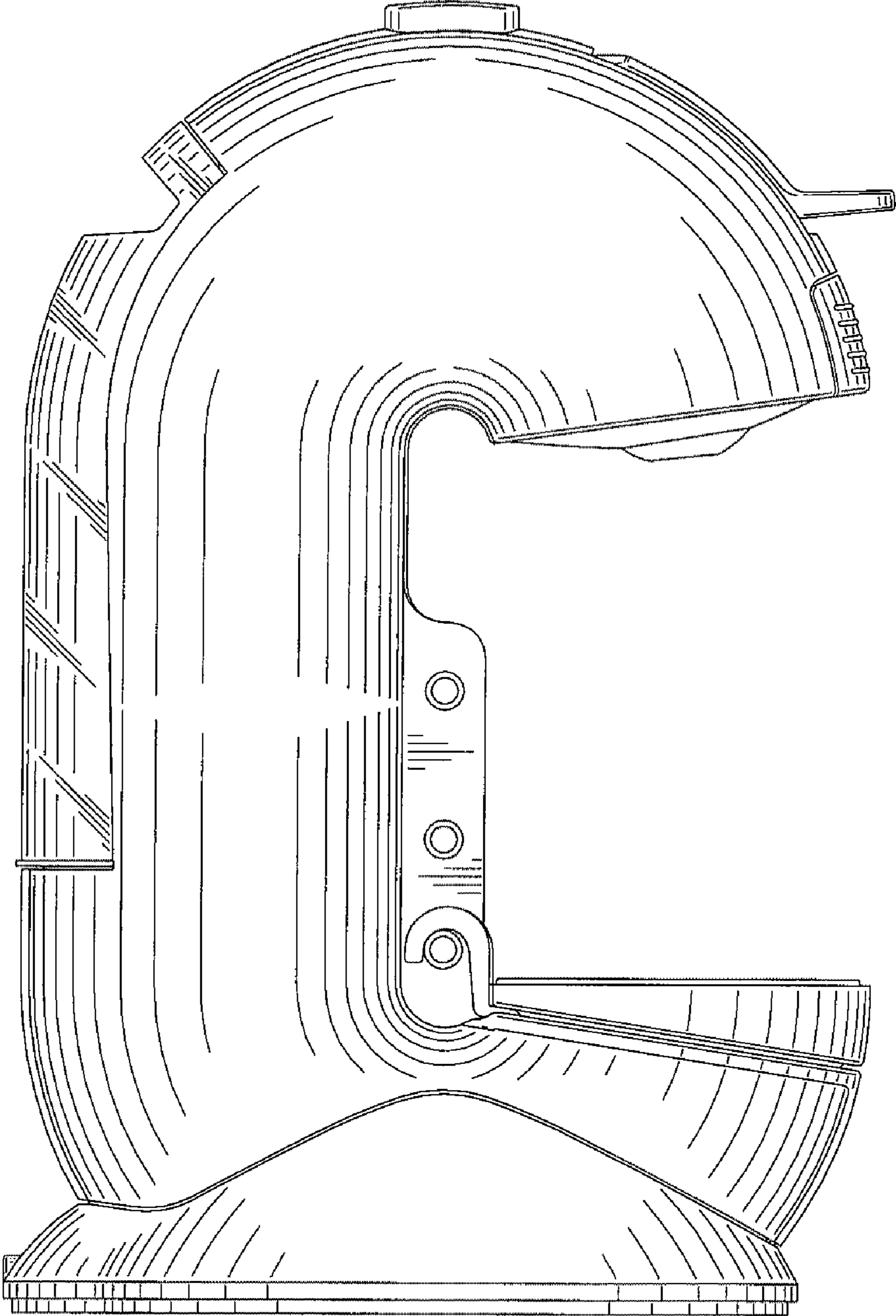


FIG. 7

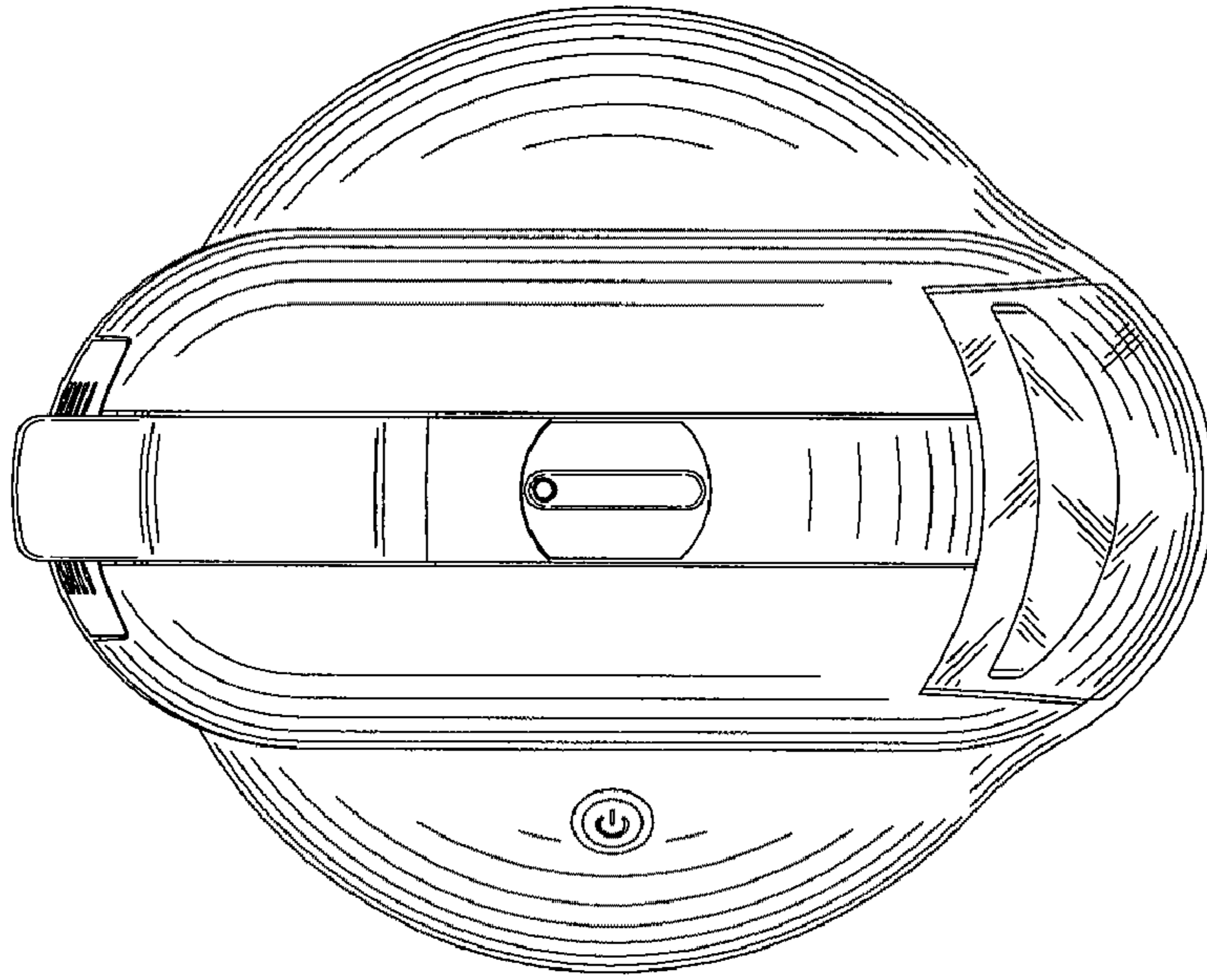


FIG. 8

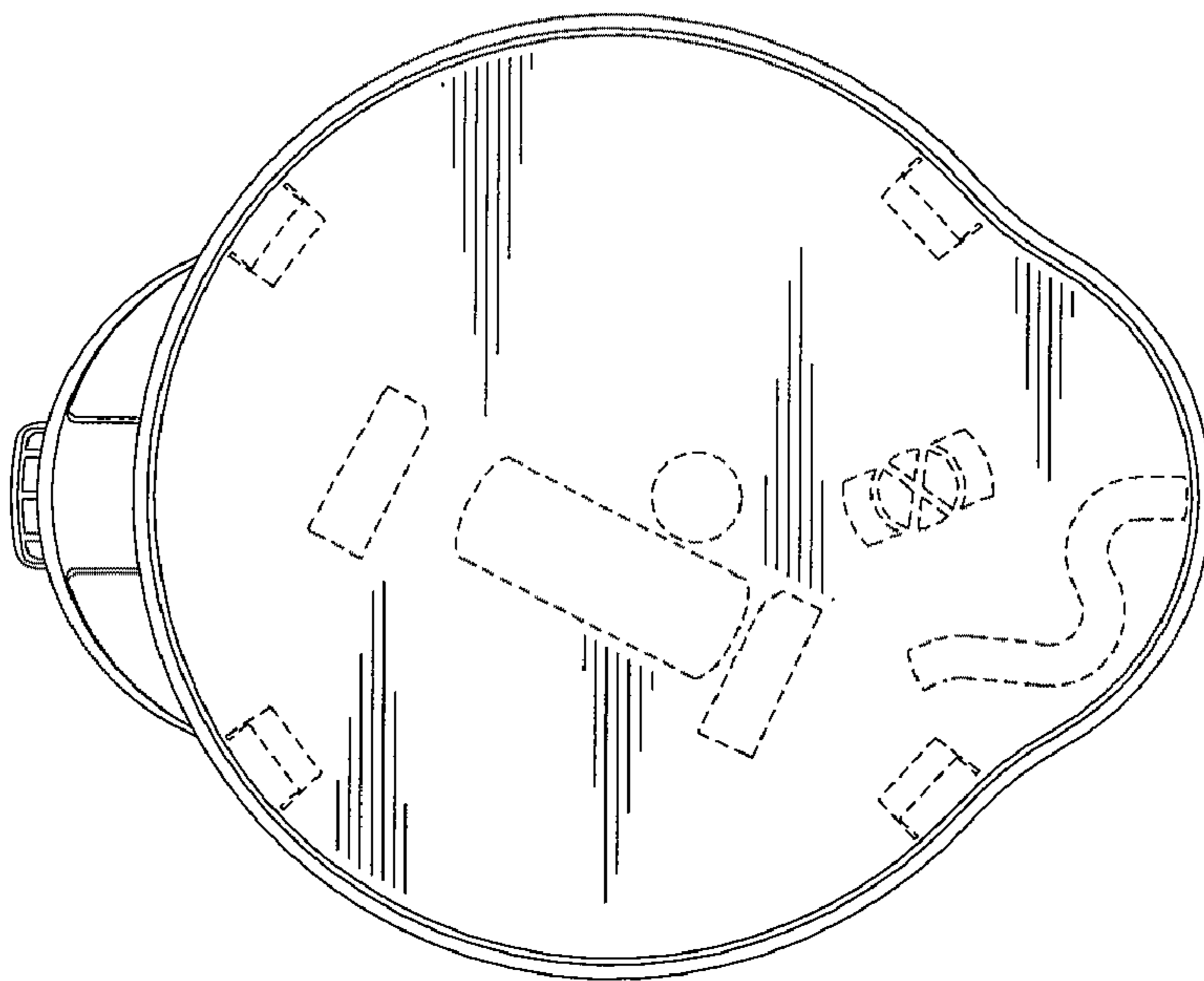


FIG. 9

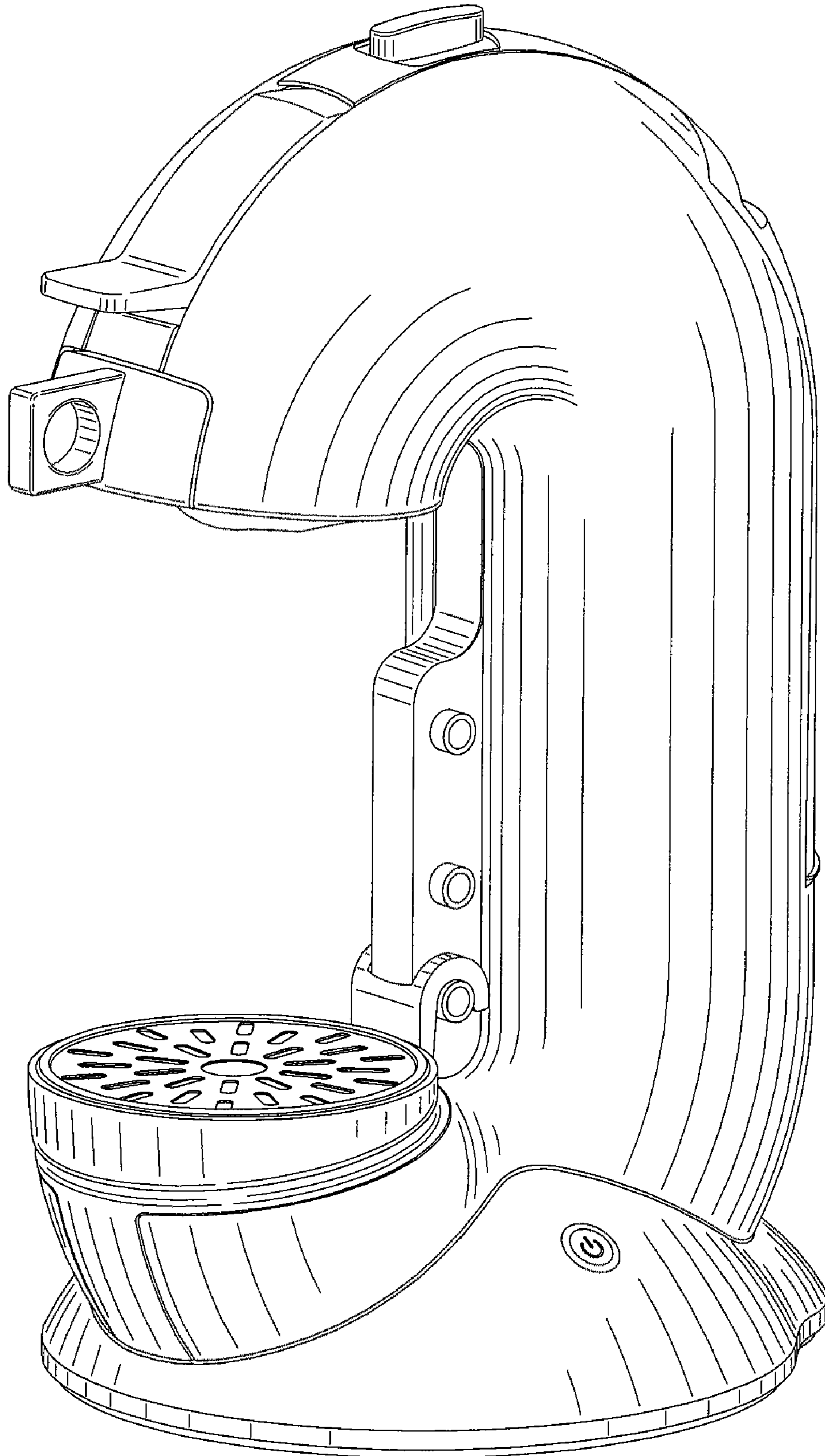


FIG. 10

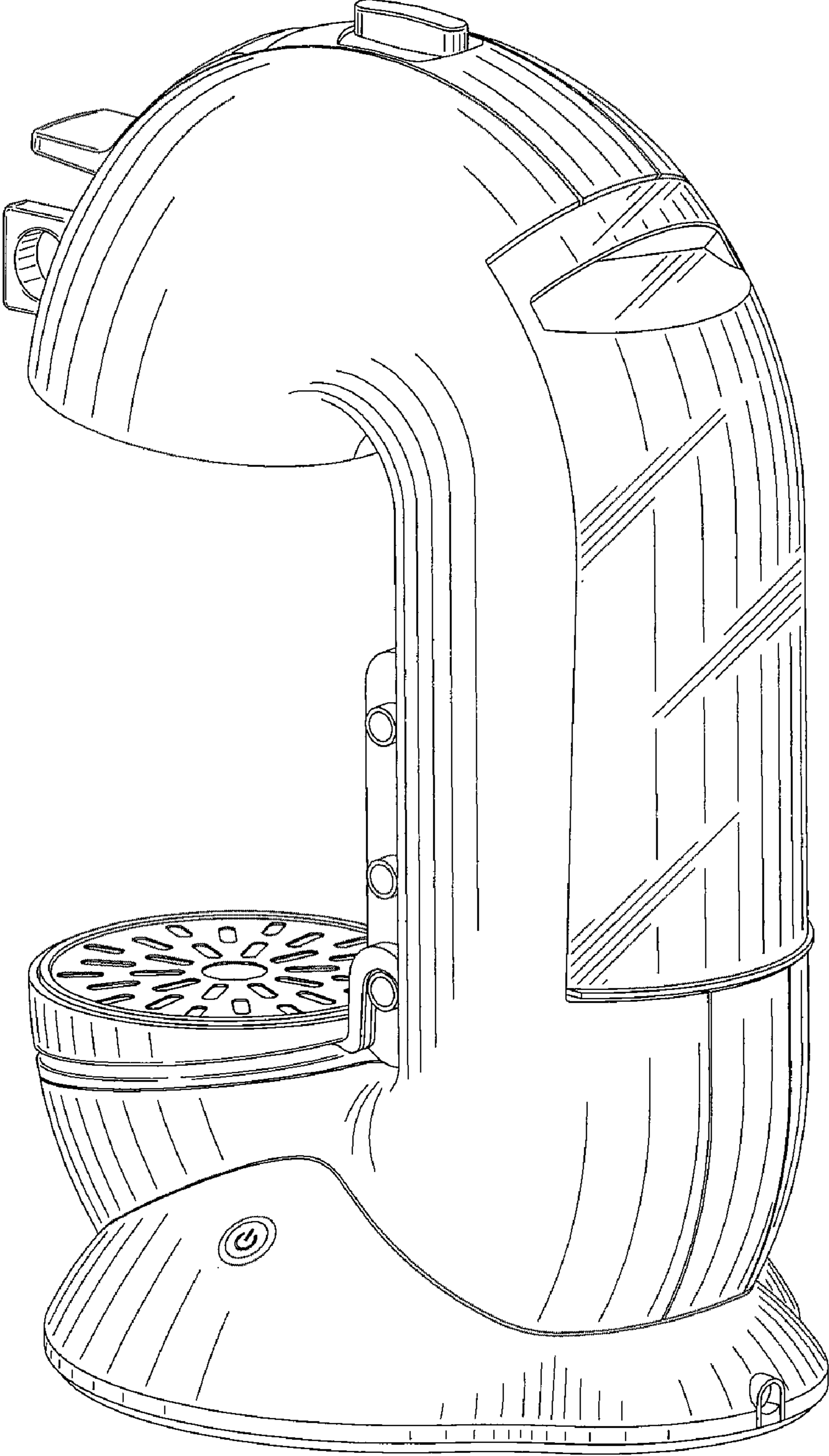


FIG. 11

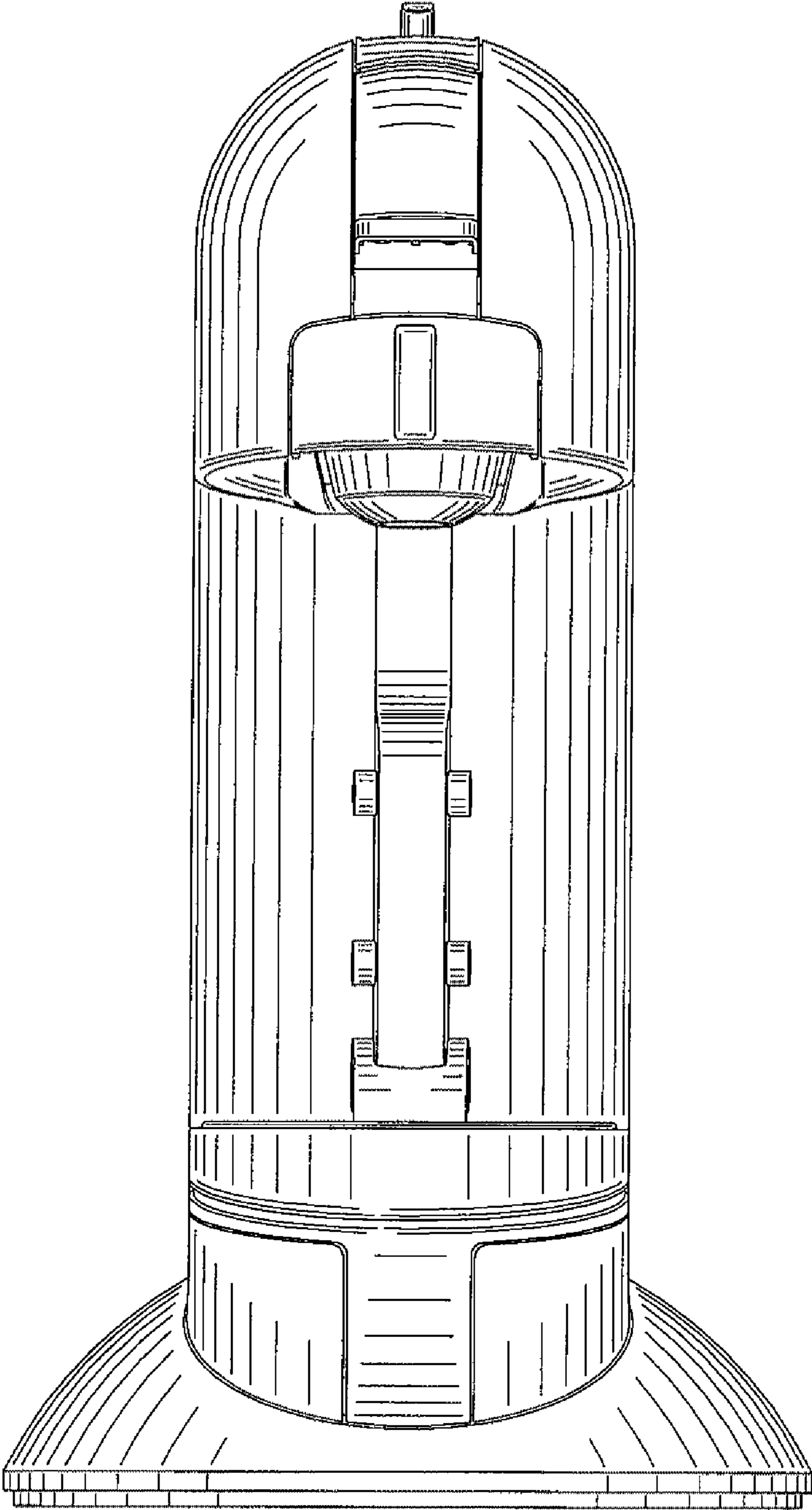


FIG. 12

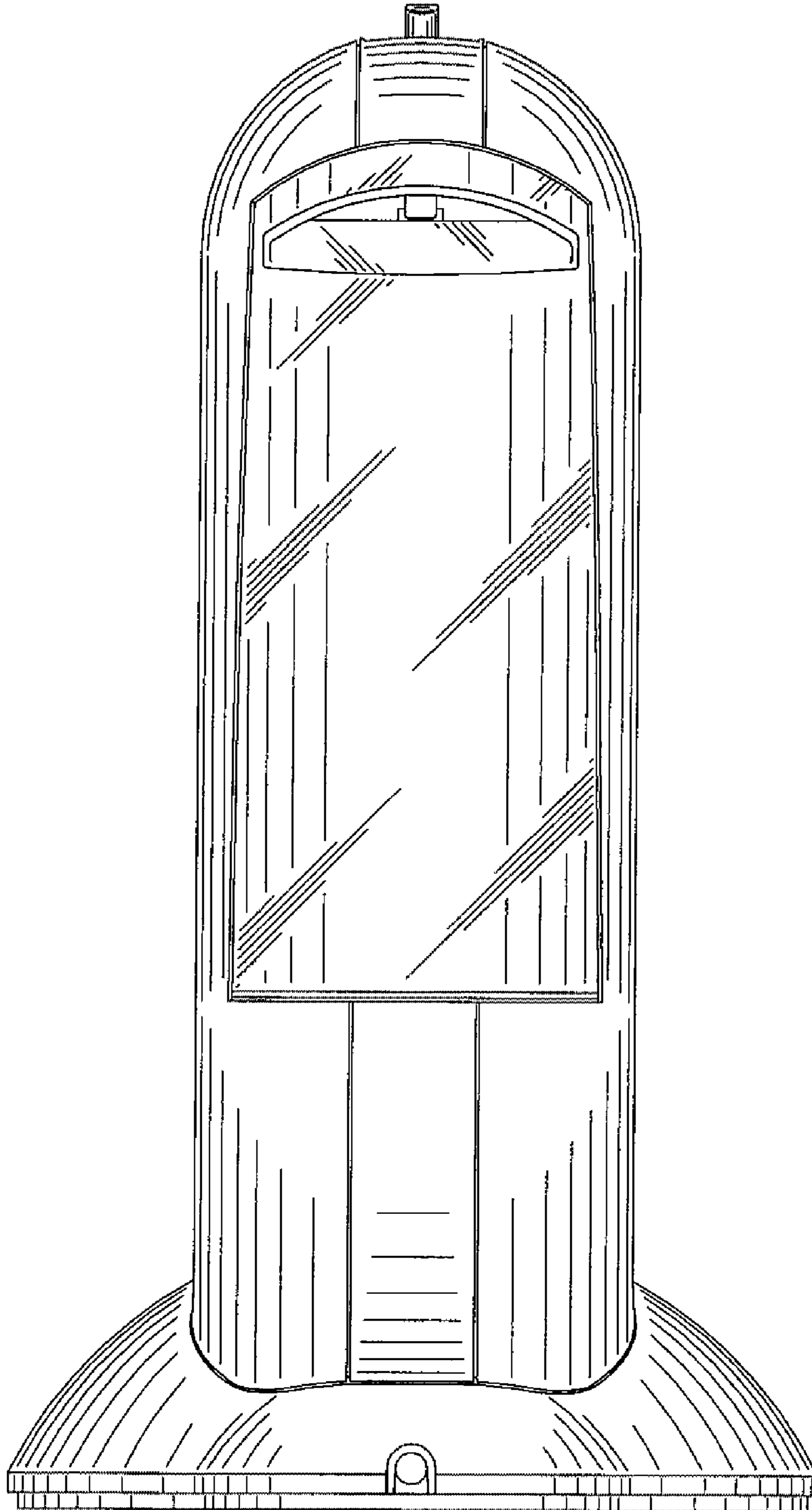


FIG. 13

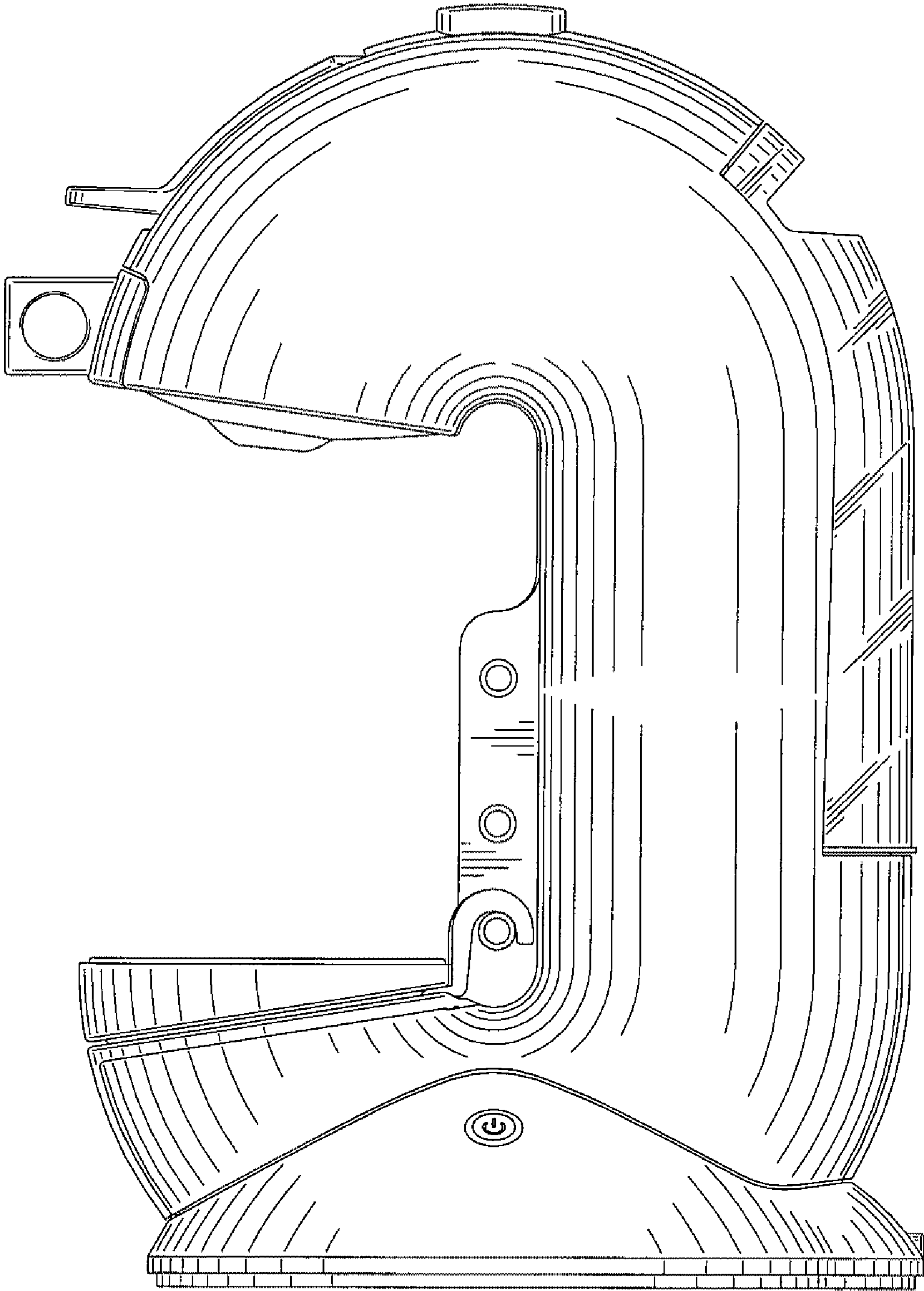


FIG. 14

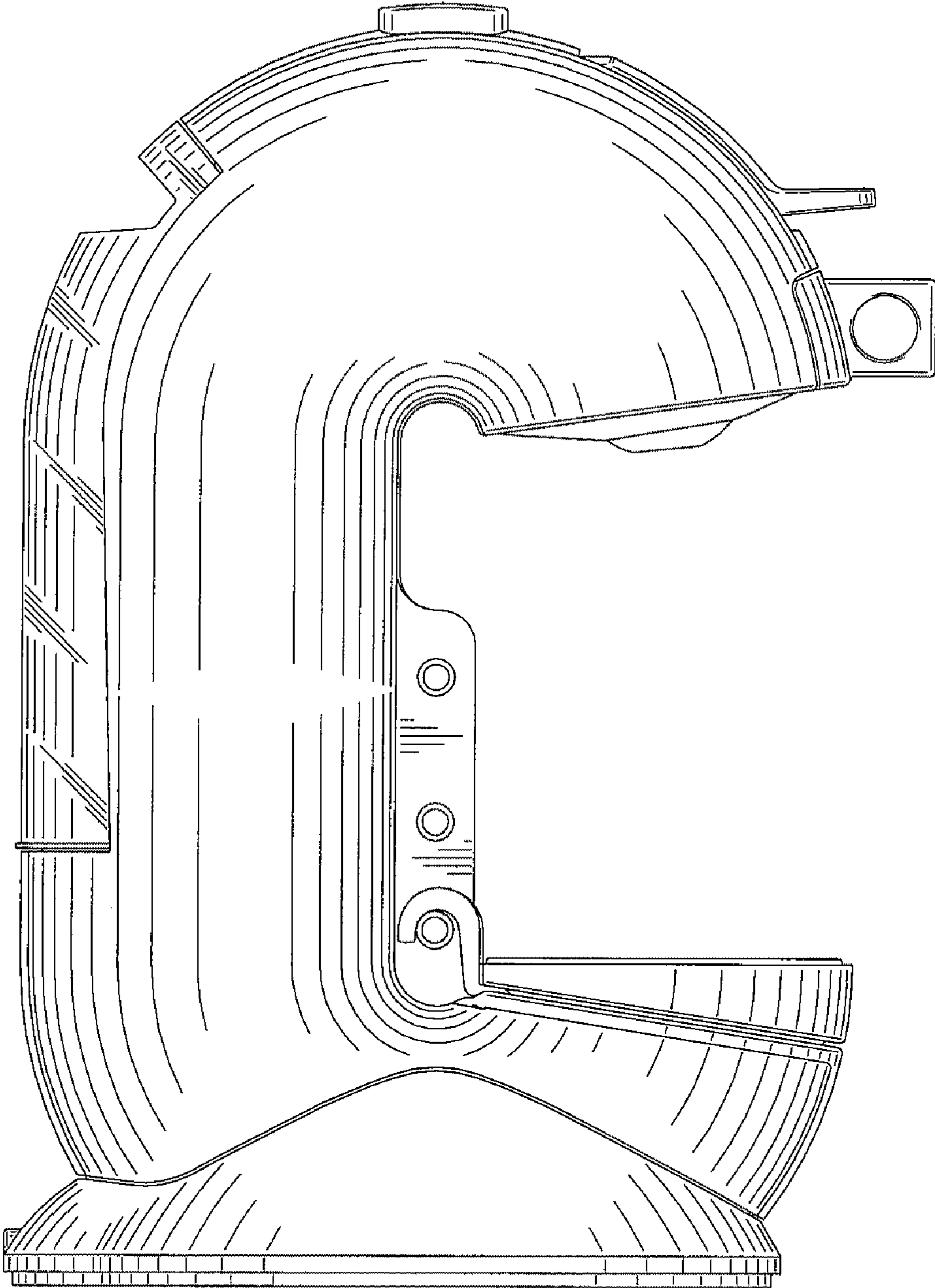


FIG. 15

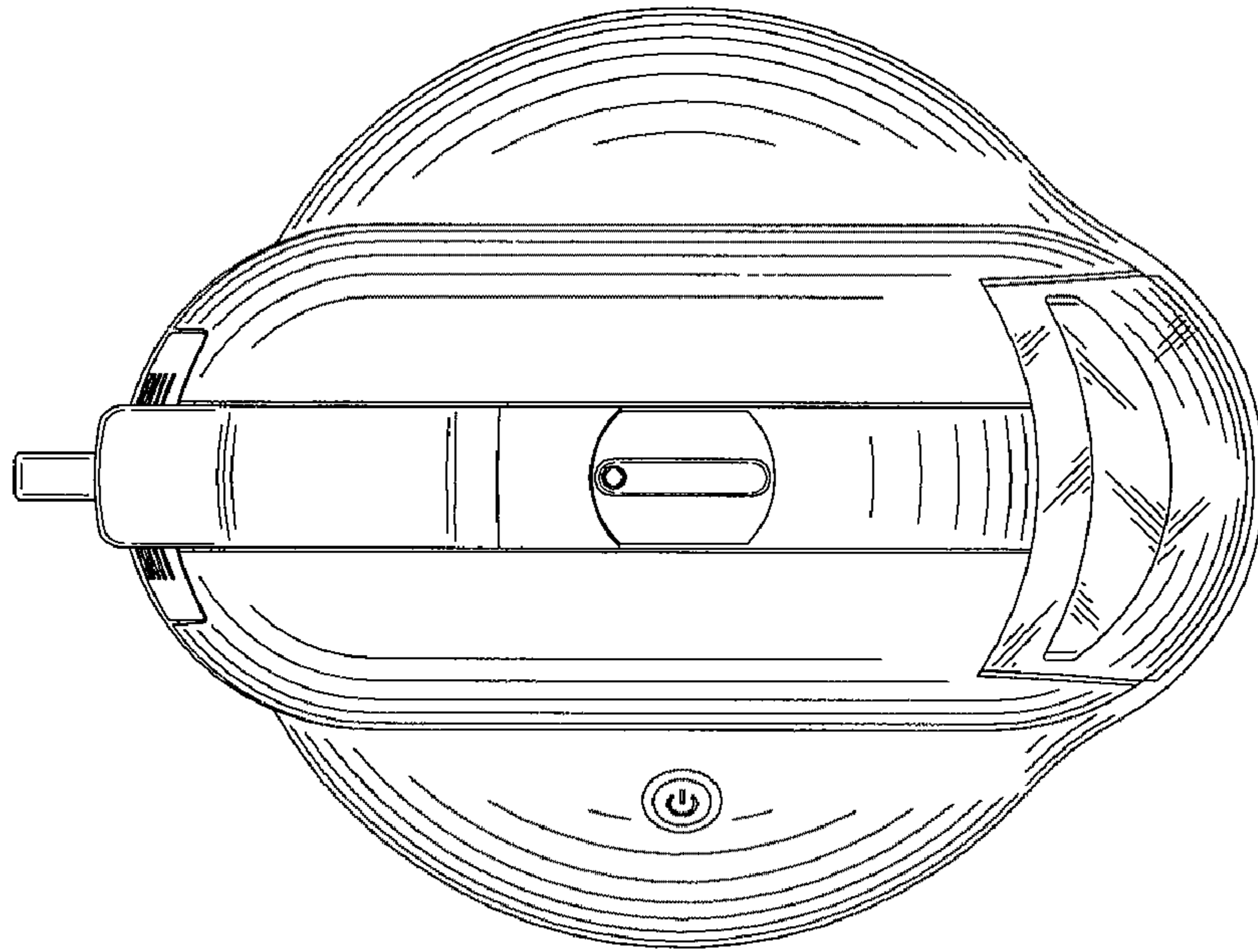


FIG. 16

