



US00D656771S

(12) **United States Design Patent**  
**Bronwasser**

(10) **Patent No.:** **US D656,771 S**

(45) **Date of Patent:** **\*\* Apr. 3, 2012**

(54) **BREWING DEVICE**

(75) Inventor: **Robert Wim Bronwasser**, Amsterdam  
(NL)

(73) Assignee: **Conopco, Inc.**, Englewood Cliffs, NJ  
(US)

(\*\*) Term: **14 Years**

(21) Appl. No.: **29/385,267**

(22) Filed: **Feb. 11, 2011**

(30) **Foreign Application Priority Data**

Aug. 13, 2010 (EM) ..... 001743402-0001  
Aug. 13, 2010 (EM) ..... 001743402-0002

(51) **LOC (9) Cl.** ..... **07-01**

(52) **U.S. Cl.** ..... **D7/306; D7/309; D7/311**

(58) **Field of Classification Search** ..... D7/306-311,  
D7/305, 378, 379; 99/280, 284, 307, 282,  
99/285; 222/129.1-129.4, 144.5  
See application file for complete search history.

(56) **References Cited**

**U.S. PATENT DOCUMENTS**

D274,028 S \* 5/1984 Jeans ..... D7/308  
4,725,714 A \* 2/1988 Naya et al. .... 392/480  
D454,023 S \* 3/2002 Wang ..... D7/309  
D489,216 S \* 5/2004 Stoner ..... D7/309

D502,841 S \* 3/2005 Santer ..... D7/379  
D550,499 S \* 9/2007 Argabrite et al. .... D7/309  
D604,985 S \* 12/2009 Taylor et al. .... D7/309  
D615,339 S \* 5/2010 Bronwasser ..... D7/306

\* cited by examiner

*Primary Examiner* — Marianne Pandozzi

(74) *Attorney, Agent, or Firm* — Alan A. Bornstein

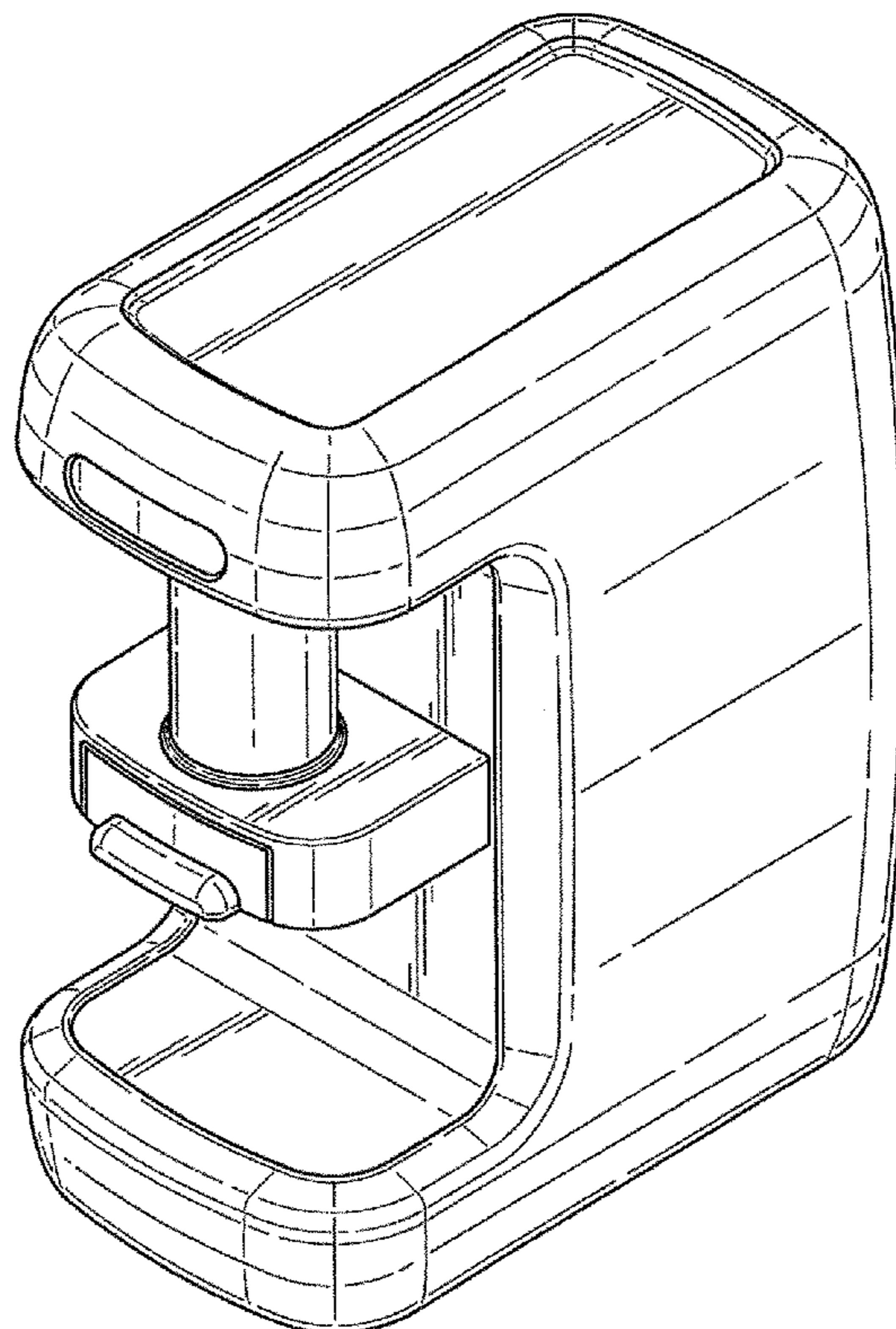
(57) **CLAIM**

The ornamental design for a brewing device, as shown and described.

**DESCRIPTION**

FIG. 1 is a perspective view of a brewing device showing my new design;  
FIG. 2 is a front elevational view thereof;  
FIG. 3 is a back elevational view thereof;  
FIG. 4 is an elevational view of one side thereof;  
FIG. 5 is an elevational view of the other side thereof;  
FIG. 6 is a top plan view thereof;  
FIG. 7 is a bottom plan view thereof;  
FIG. 8 is a perspective view of a brewing device showing a second embodiment of my new design;  
FIG. 9 is a front elevational view thereof;  
FIG. 10 is a back elevational view thereof;  
FIG. 11 is an elevational view of one side thereof;  
FIG. 12 is an elevational view of the other side thereof;  
FIG. 13 is a top plan view thereof; and,  
FIG. 14 is a bottom plan view thereof.

**1 Claim, 8 Drawing Sheets**



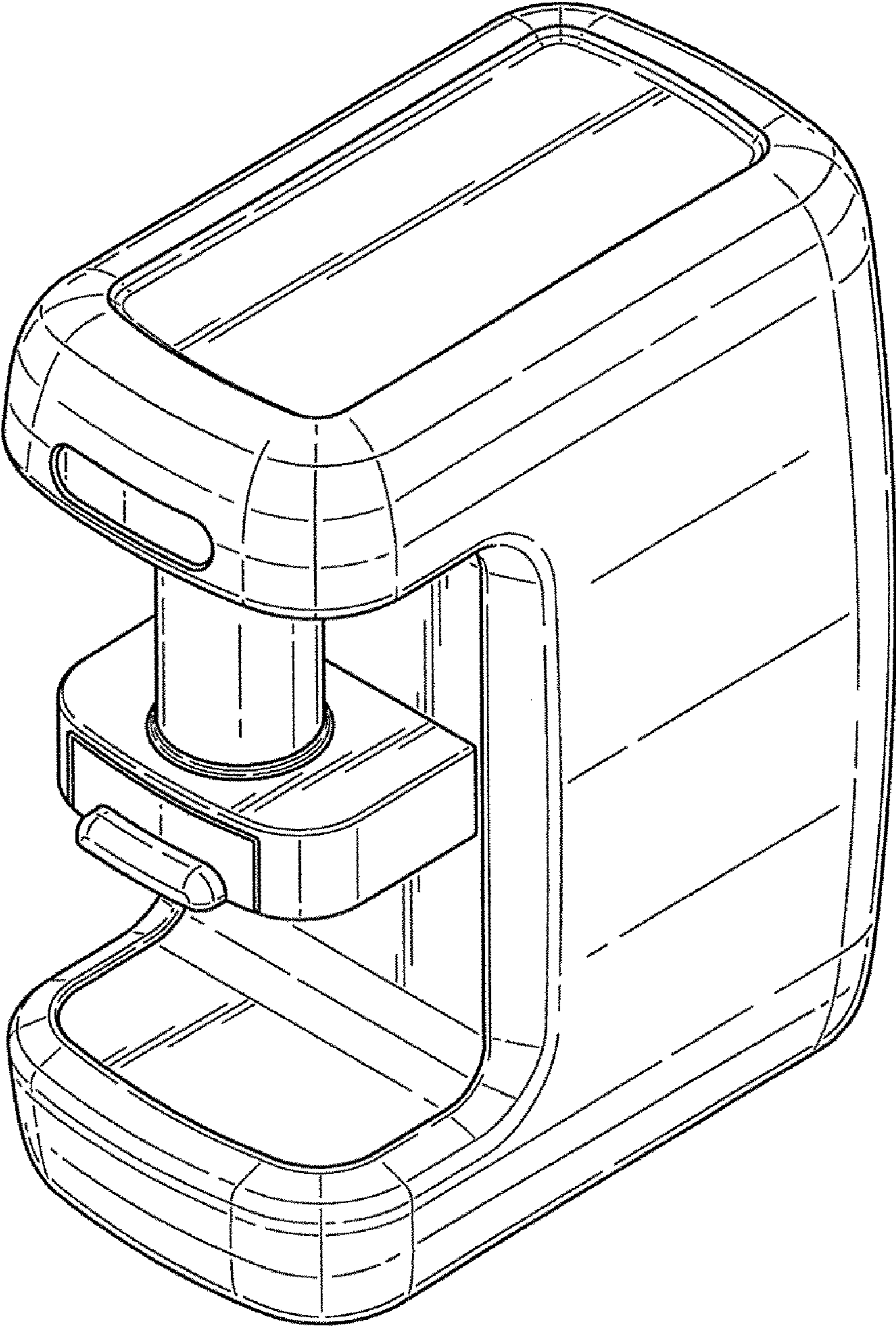


Fig. 1.

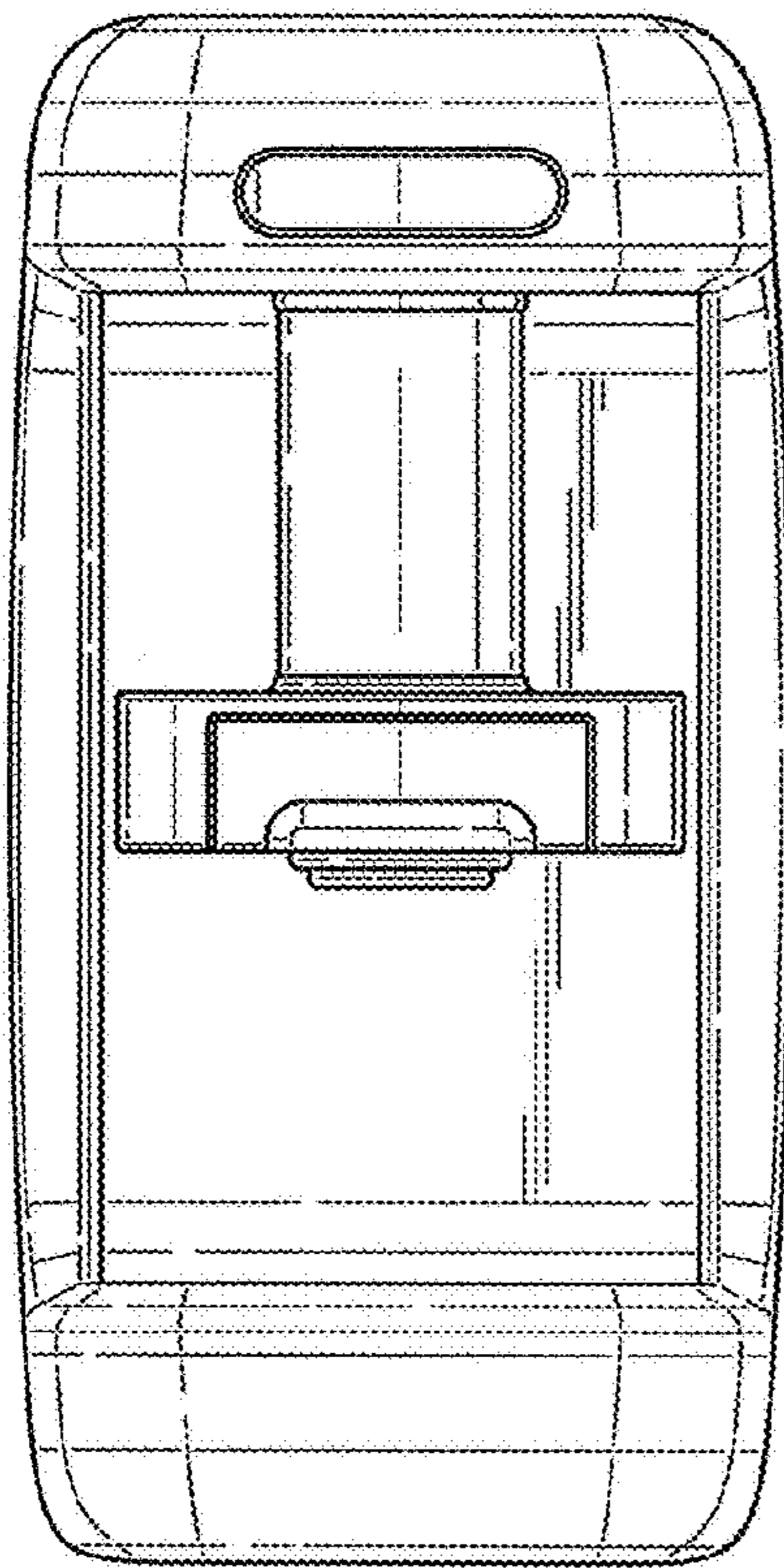


Fig.2.

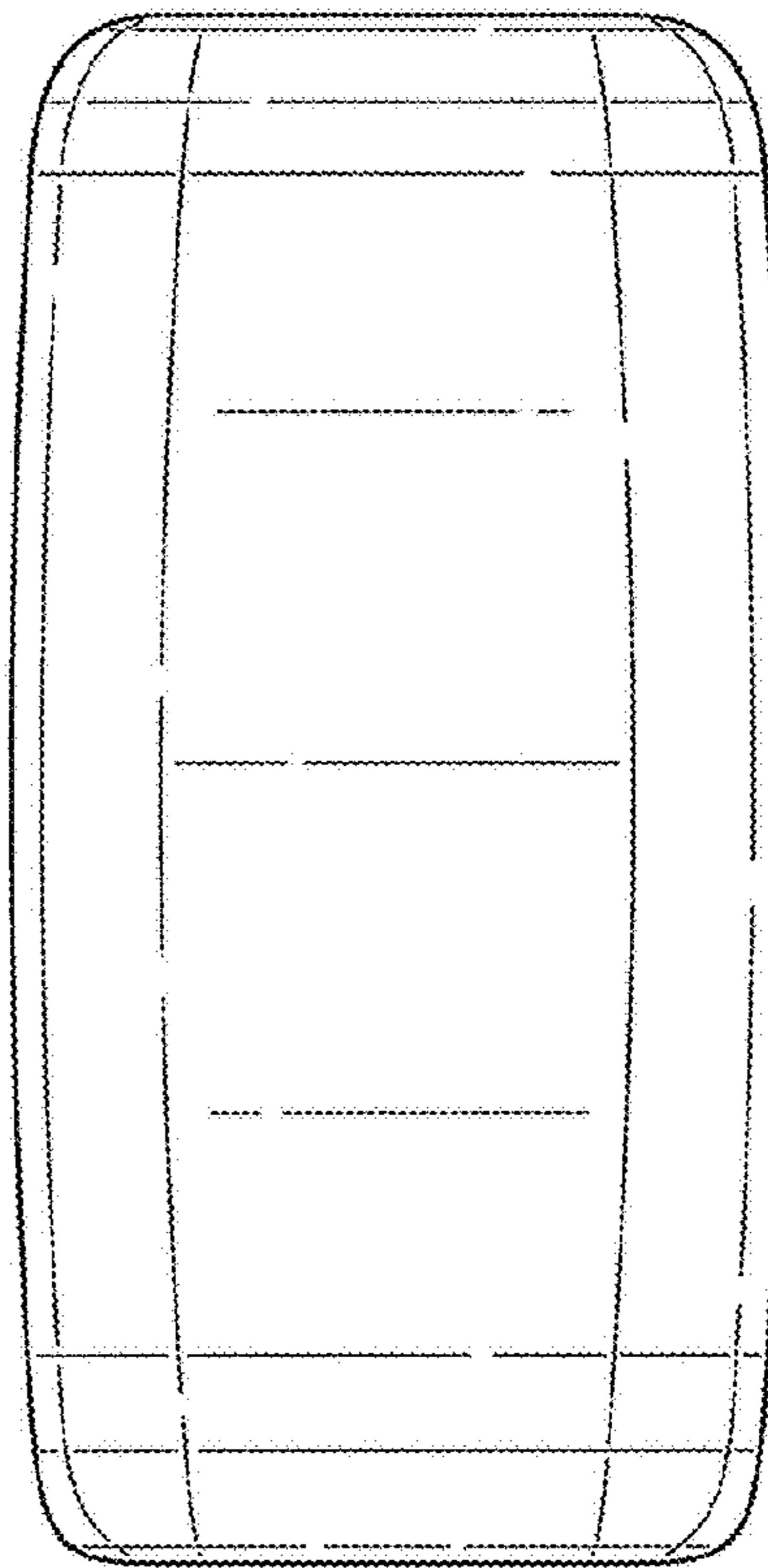


Fig.3.

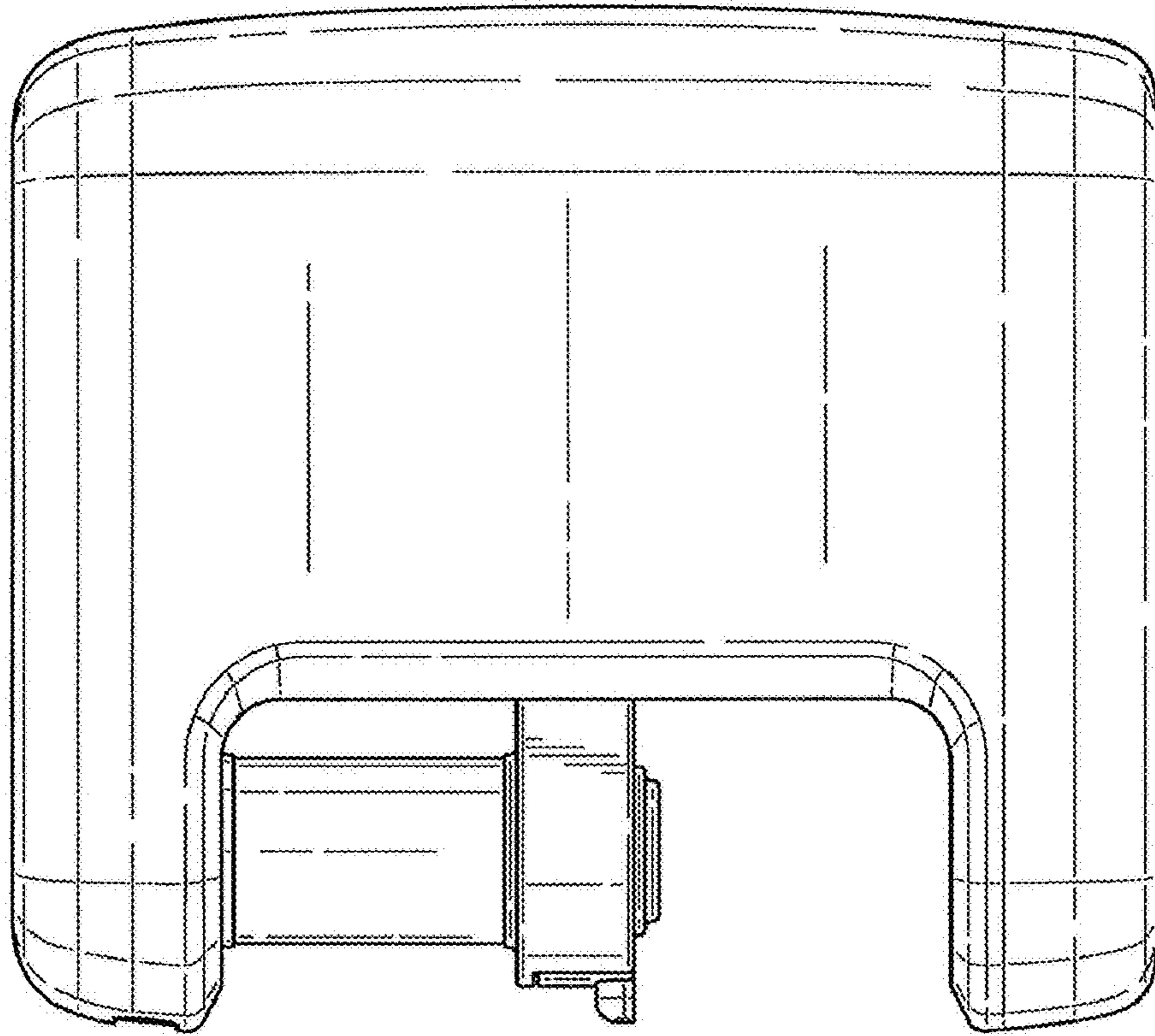


Fig. 5.

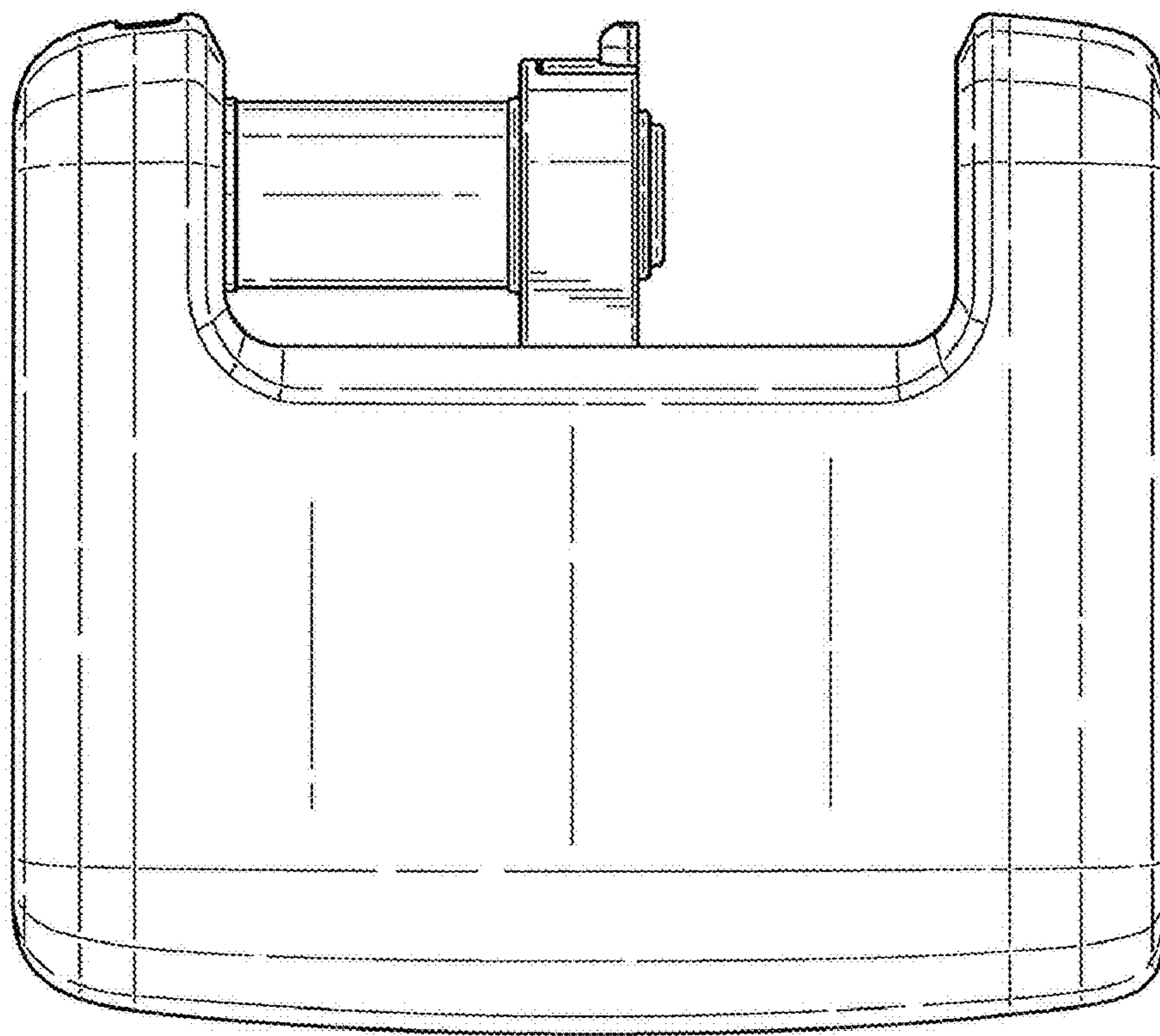


Fig. 4.

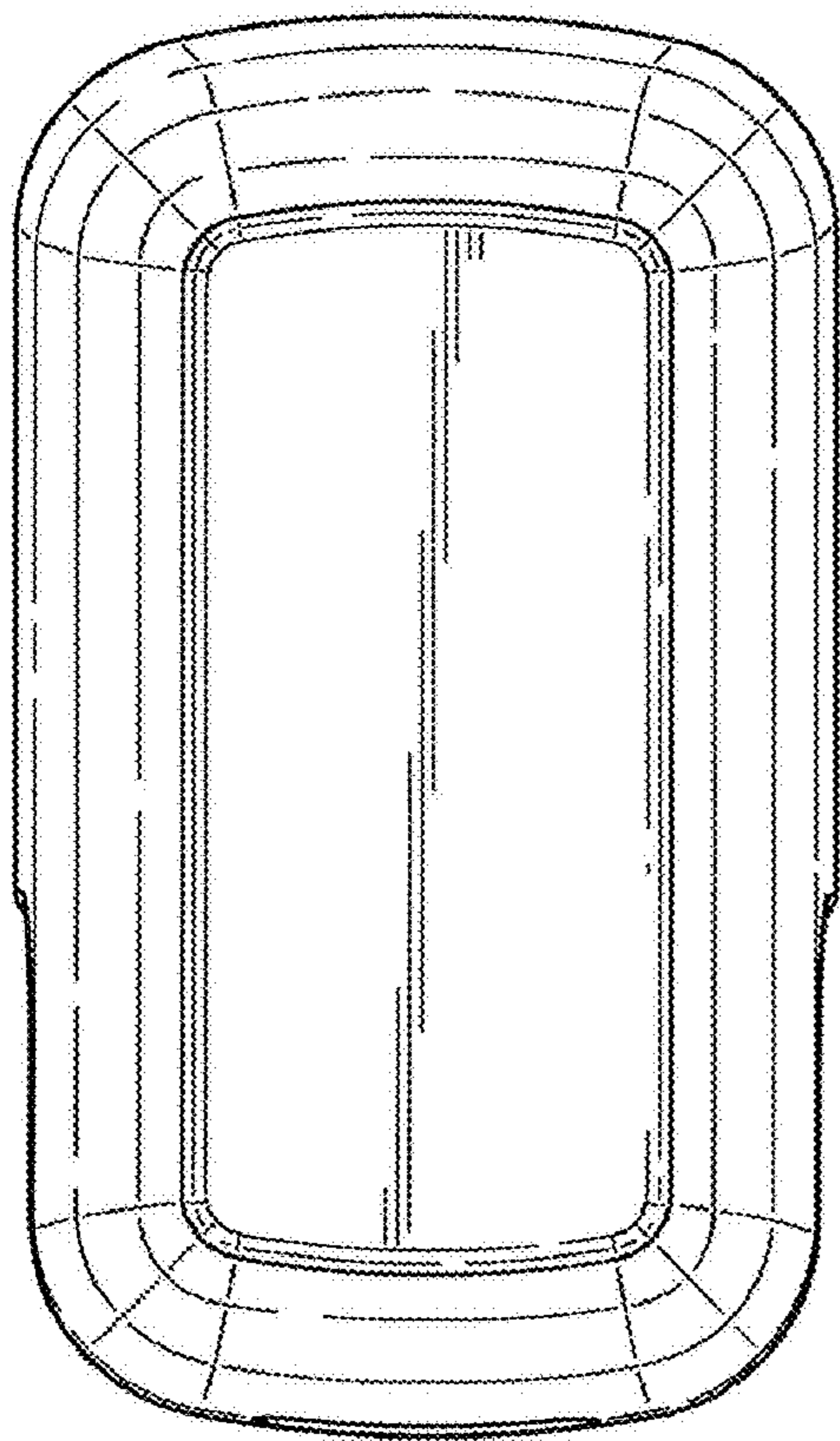


Fig. 6.

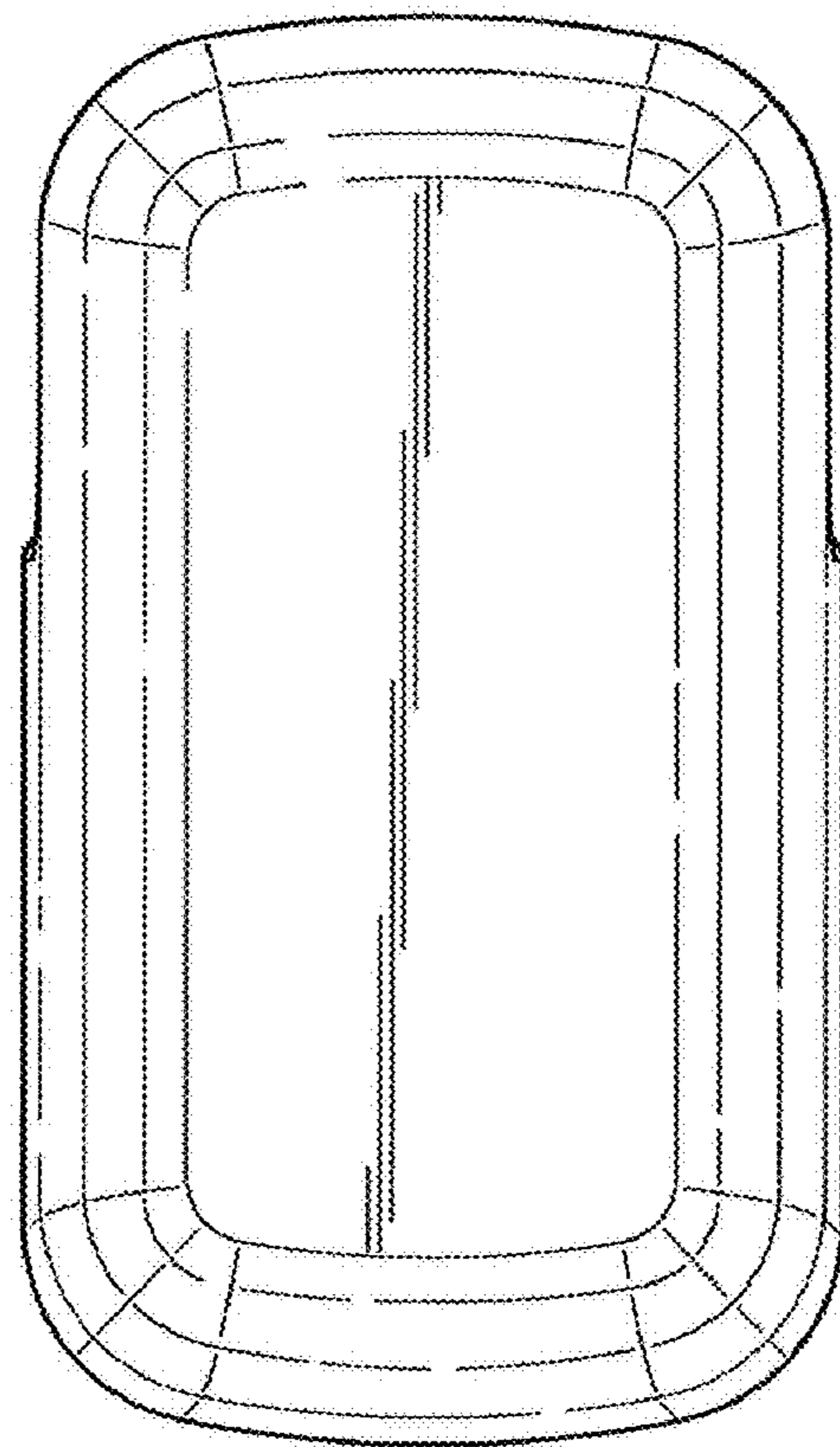


Fig. 7.

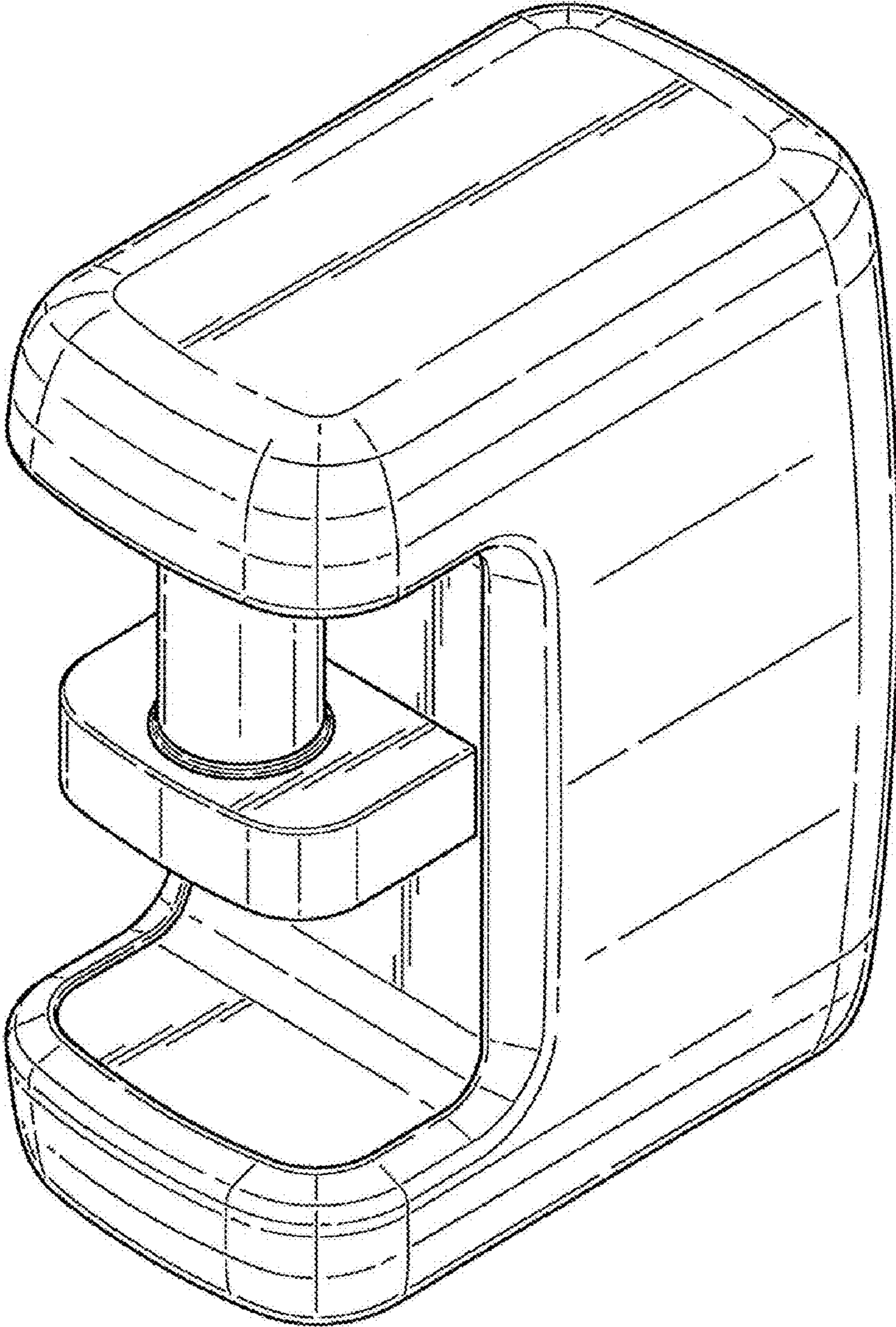


Fig. 8.

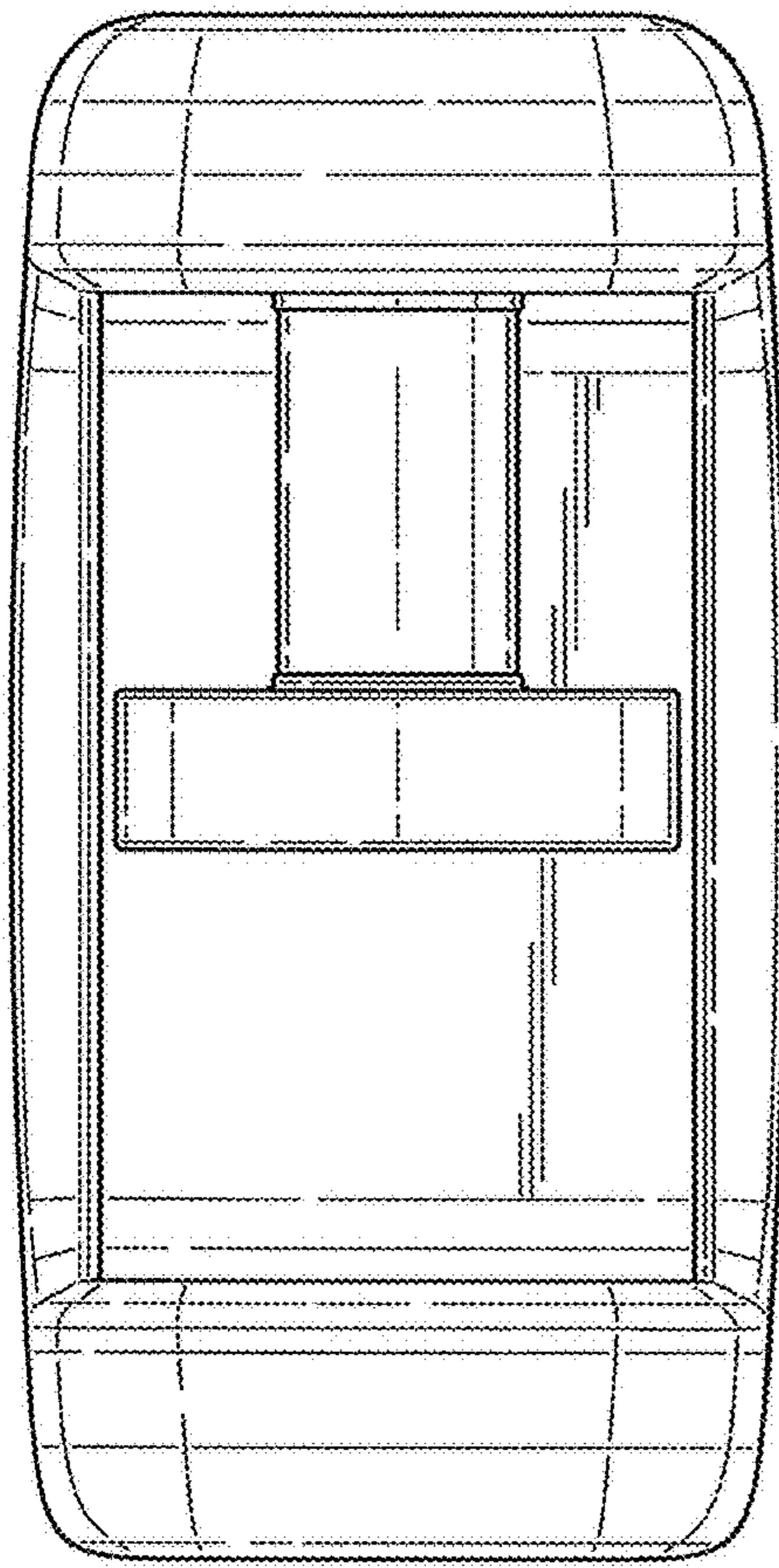


Fig. 9.

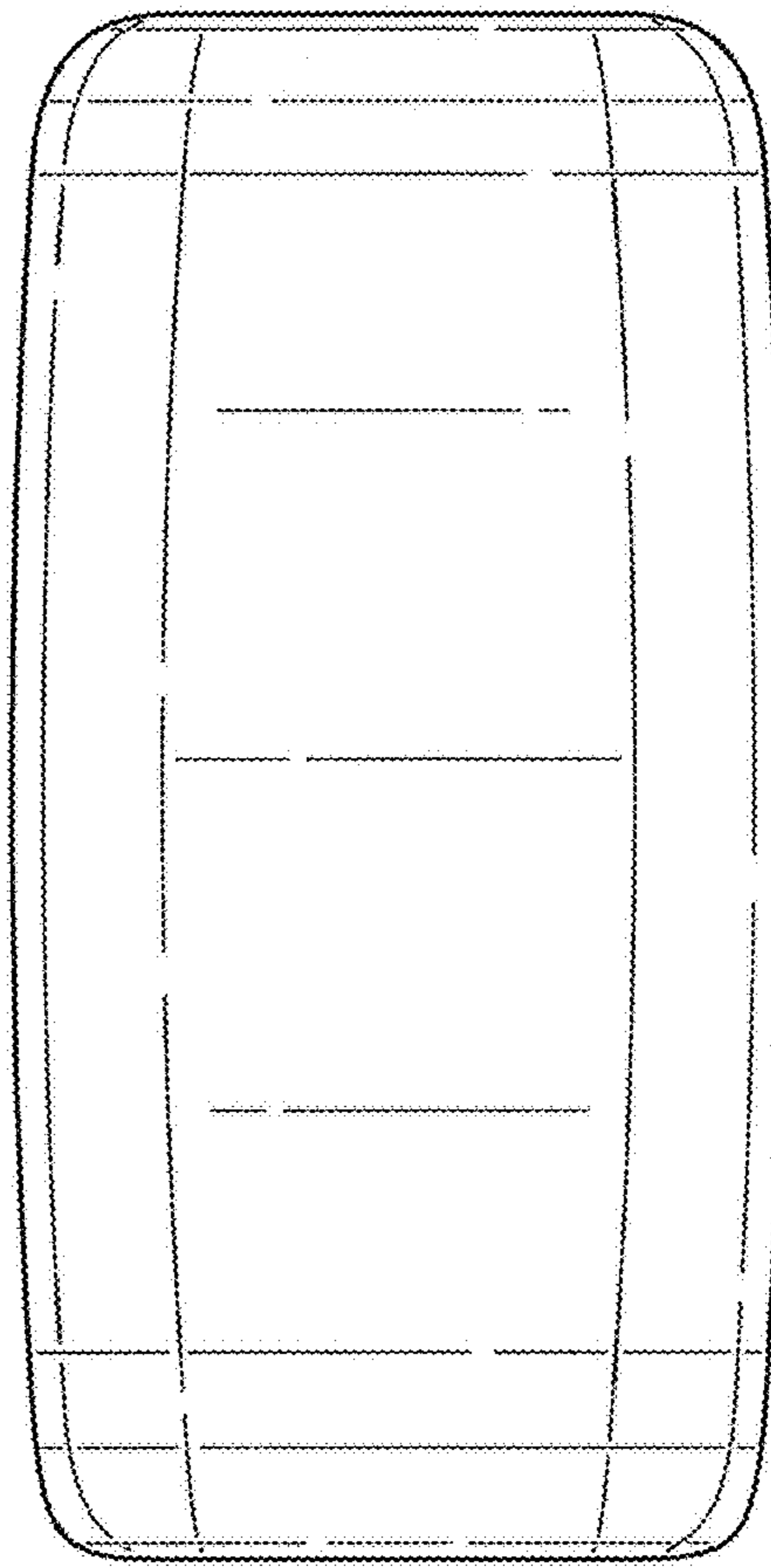


Fig. 10.

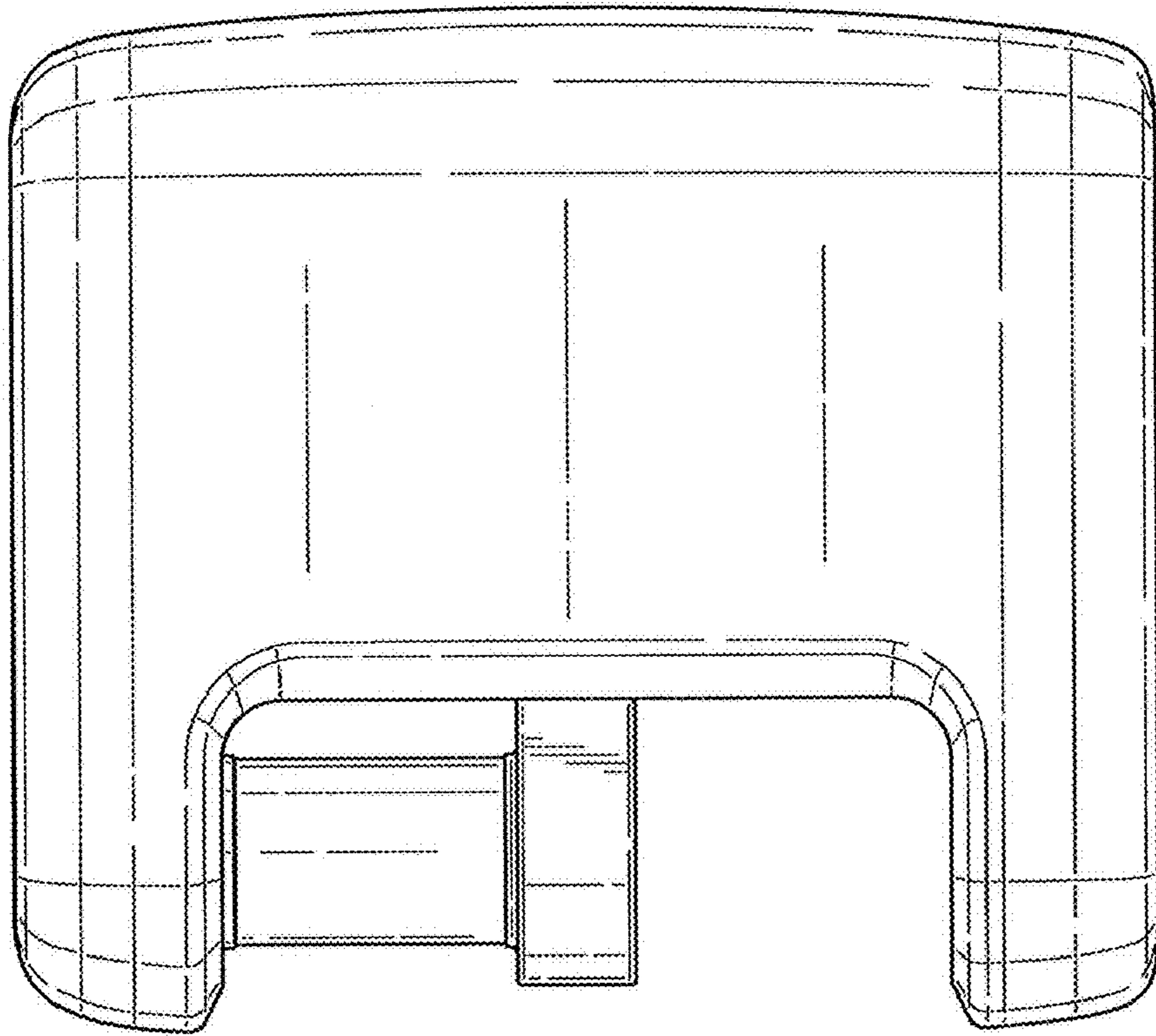


Fig. 12.

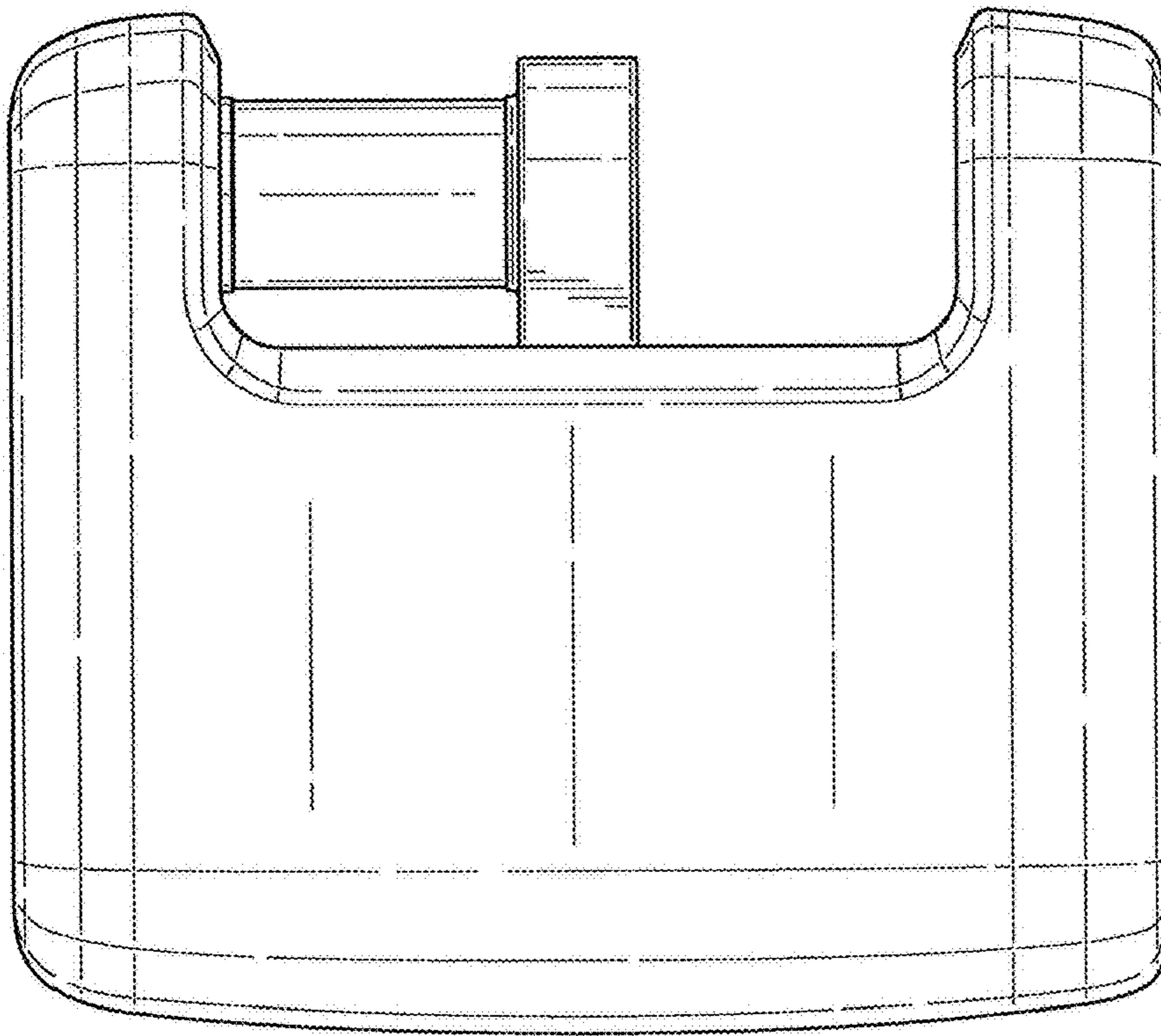


Fig. 11.



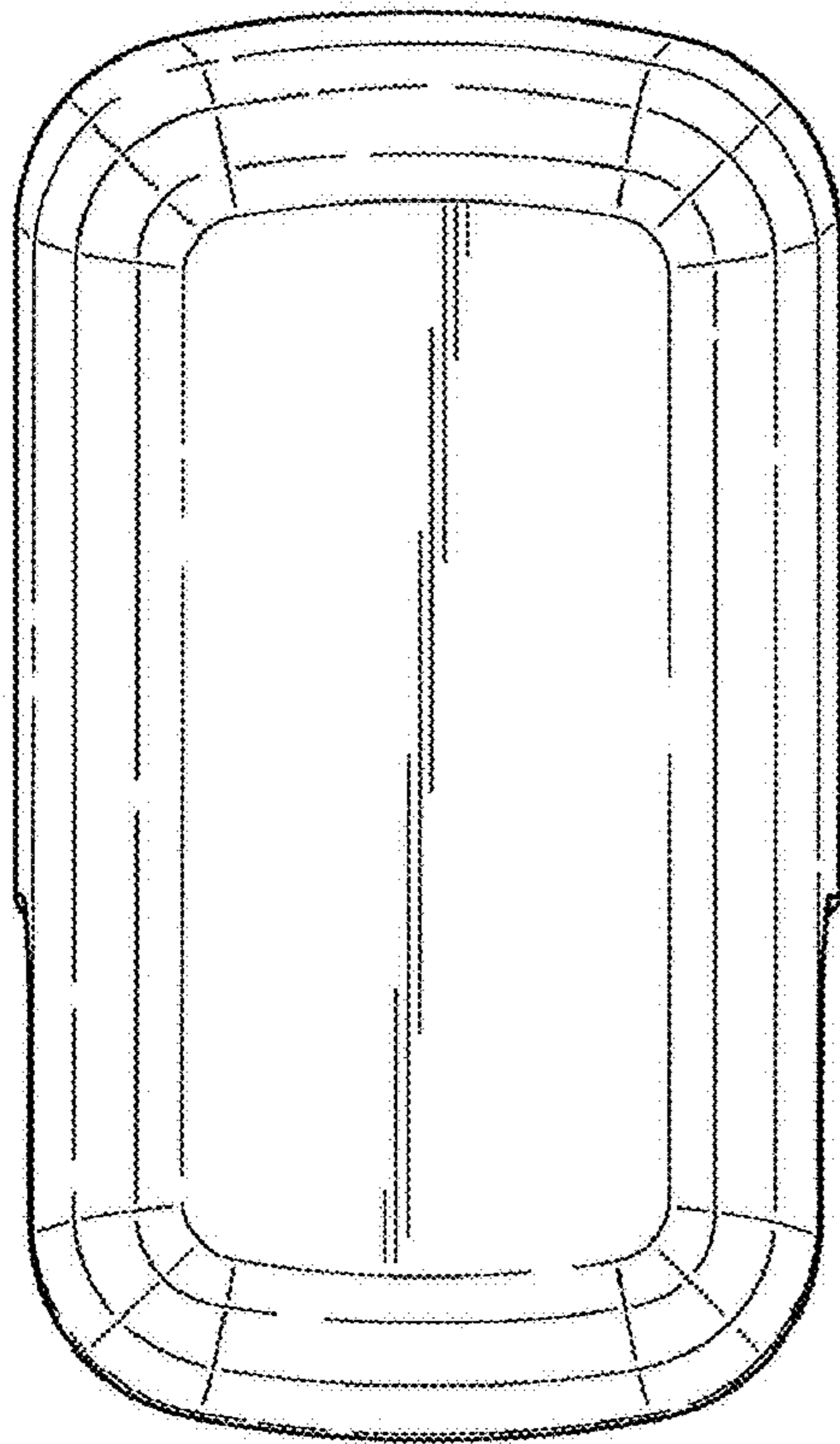


Fig. 13.

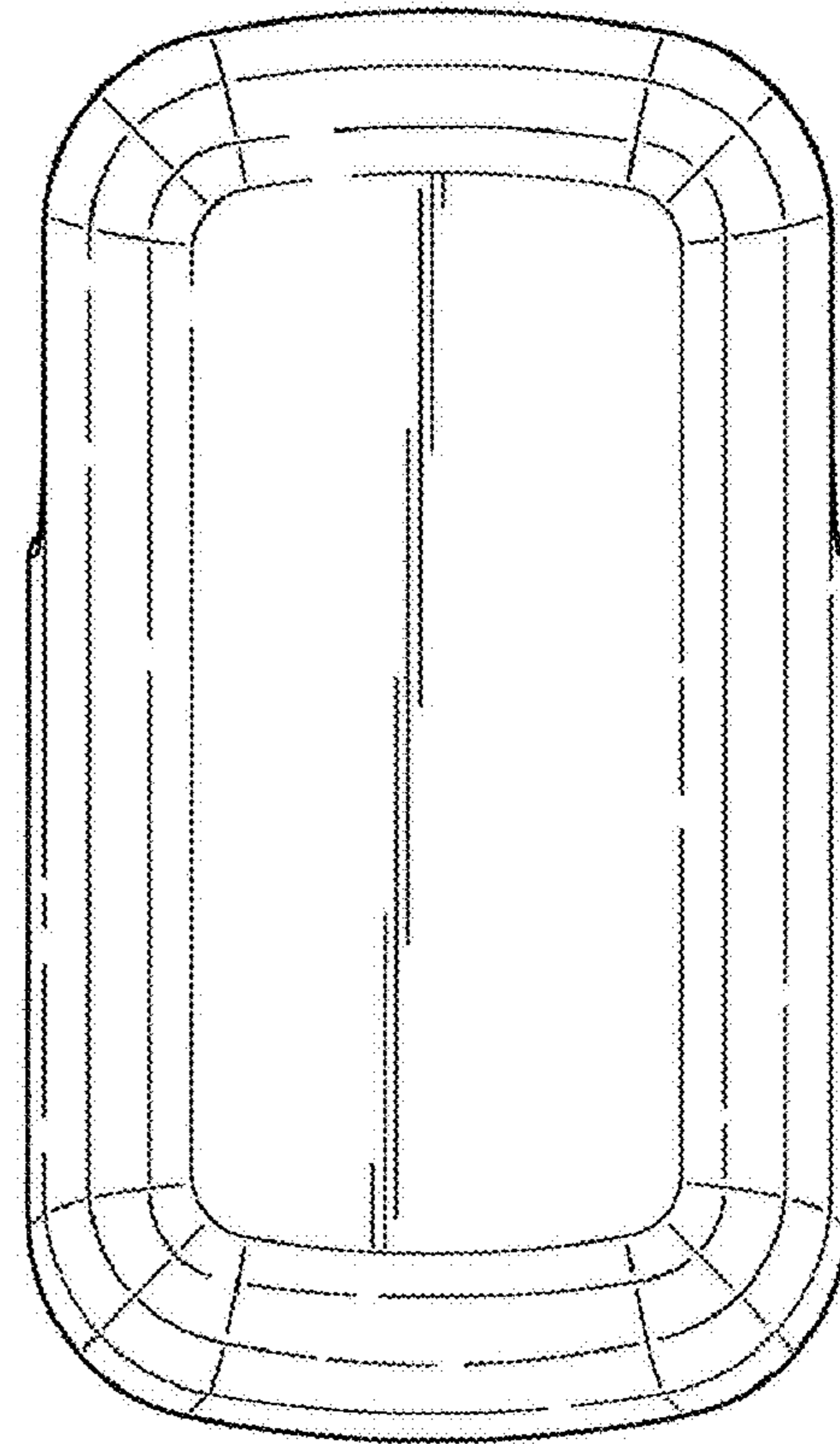


Fig. 14.