

US00D656766S

(12) **United States Design Patent**
Velazquez et al.

(10) **Patent No.:** **US D656,766 S**

(45) **Date of Patent:** **** Apr. 3, 2012**

(54) **ROLLED TOWEL DISPENSER**

(75) Inventors: **Herb Flores Velazquez**, Alpharetta, GA (US); **Benjamin David Stephens**, Atlanta, GA (US)

(73) Assignee: **Kimberly-Clark Worldwide, Inc.**, Neenah, WI (US)

(**) Term: **14 Years**

(21) Appl. No.: **29/403,023**

(22) Filed: **Sep. 30, 2011**

(51) **LOC (9) Cl.** **06-04**

(52) **U.S. Cl.** **D6/518**

(58) **Field of Classification Search** D6/542-545, D6/553, 567, 574, 515-525; 206/77.1; 211/13.1, 211/86.01, 87.01; 221/14, 92, 649, 146.1, 221/146.2, 105; 222/281-282; D23/225; D8/349, 354, 363, 373, 394; D24/155
See application file for complete search history.

(56) **References Cited**

U.S. PATENT DOCUMENTS

D337,227 S *	7/1993	Giugiaro	D6/518
D391,104 S *	2/1998	Tramontina	D6/518
D408,184 S *	4/1999	Tramontina	D6/518
D447,373 S *	9/2001	Fisscher	D6/518

D619,836 S *	7/2010	Kim	D6/518
D623,452 S *	9/2010	McNeely et al.	D6/518
D641,578 S *	7/2011	Meyerhoffer	D6/518

OTHER PUBLICATIONS

Co-pending U.S. Appl. No. 29/403,017, filed Sep. 30, 2011, by Velazquez et al. for "A Rolled Tissue Dispenser."
Co-pending U.S. Appl. No. 29/403,025, filed Sep. 30, 2011, by Velazquez et al. for "Rolled Towel Dispenser."

* cited by examiner

Primary Examiner — Brian N Vinson

(74) *Attorney, Agent, or Firm* — Nancy M. Klembus; Ralph H. Dean, Jr.

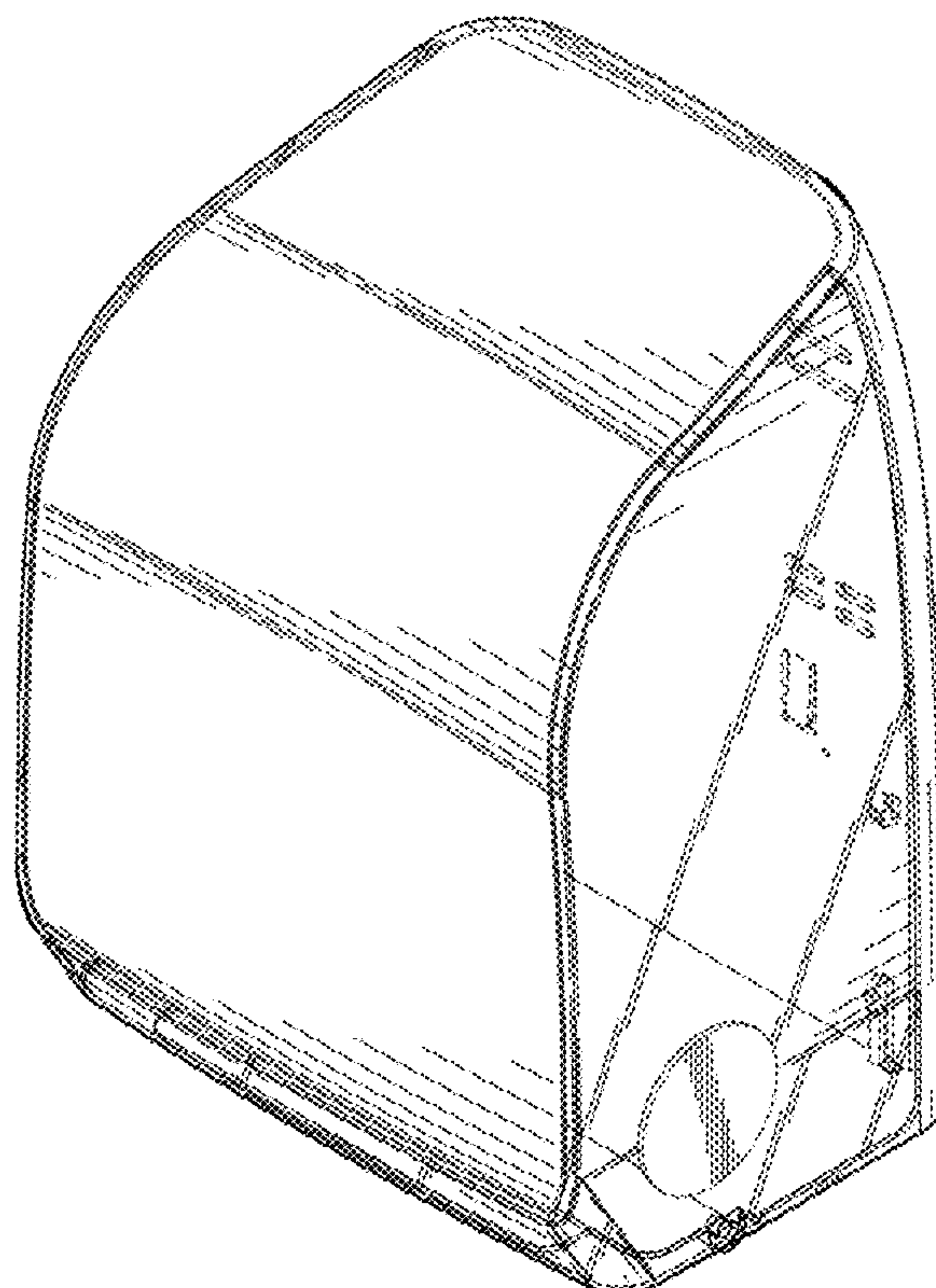
(57) **CLAIM**

We claim the ornamental design for the rolled towel dispenser, as shown and described.

DESCRIPTION

FIG. 1 is a front- side perspective view of the rolled towel dispenser, showing the design.
FIG. 2 is a bottom-side back perspective view of the rolled towel dispenser.
FIG. 3 is a front view of the rolled towel dispenser.
FIG. 4 is a left-side view of the rolled towel dispenser.
FIG. 5 is a back view of the rolled towel dispenser.
FIG. 6 is a right-side view of the rolled towel dispenser.
FIG. 7 is a top-side view of the rolled towel dispenser; and, FIG. 8 is a bottom-side view of the rolled towel dispenser.
The broken-line disclosure in the views is understood to represent portions of the article in which the claimed design is embodied, but which form no part of the claim design.

1 Claim, 7 Drawing Sheets



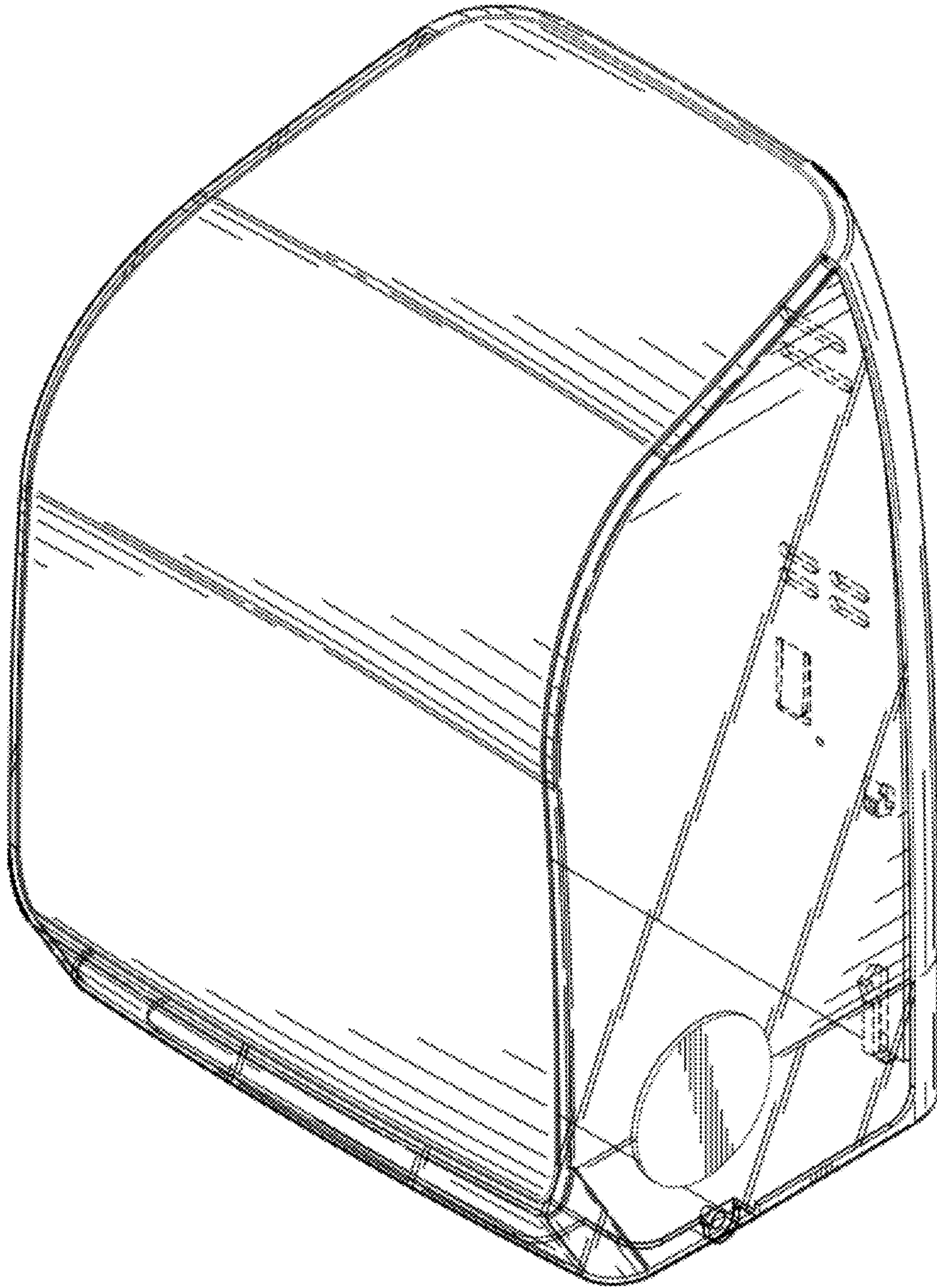


FIG. 1

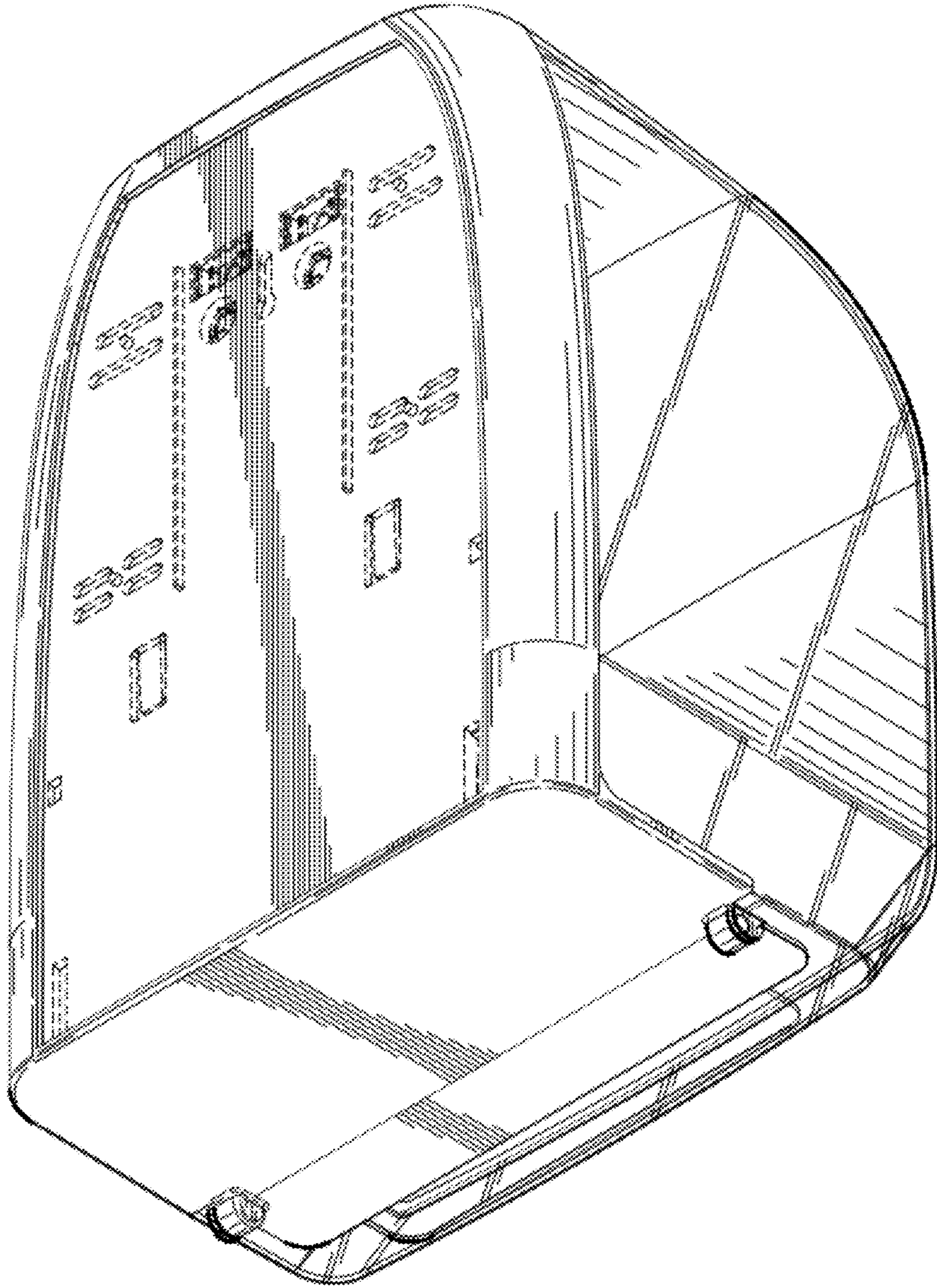


FIG. 2

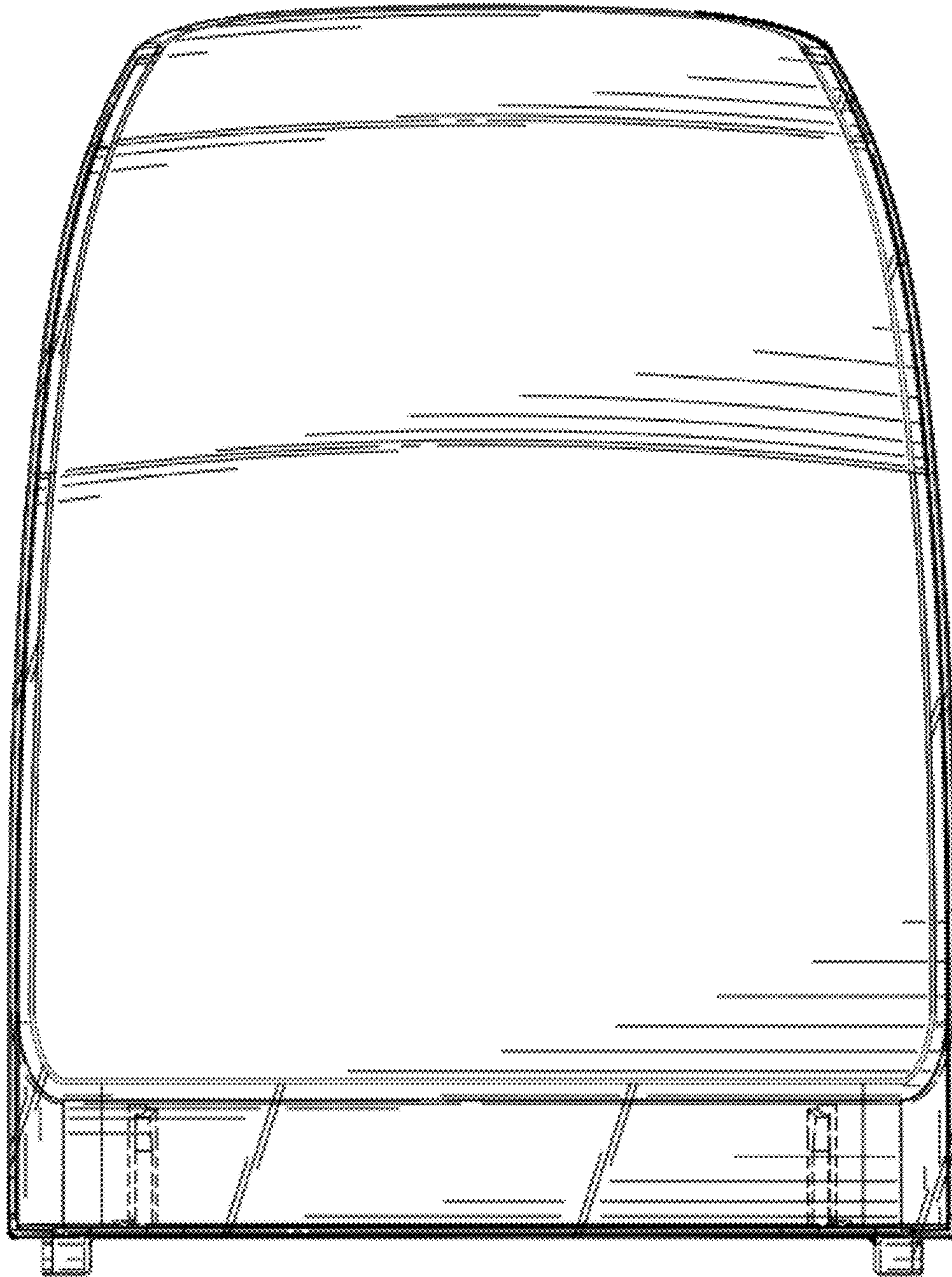


FIG. 3

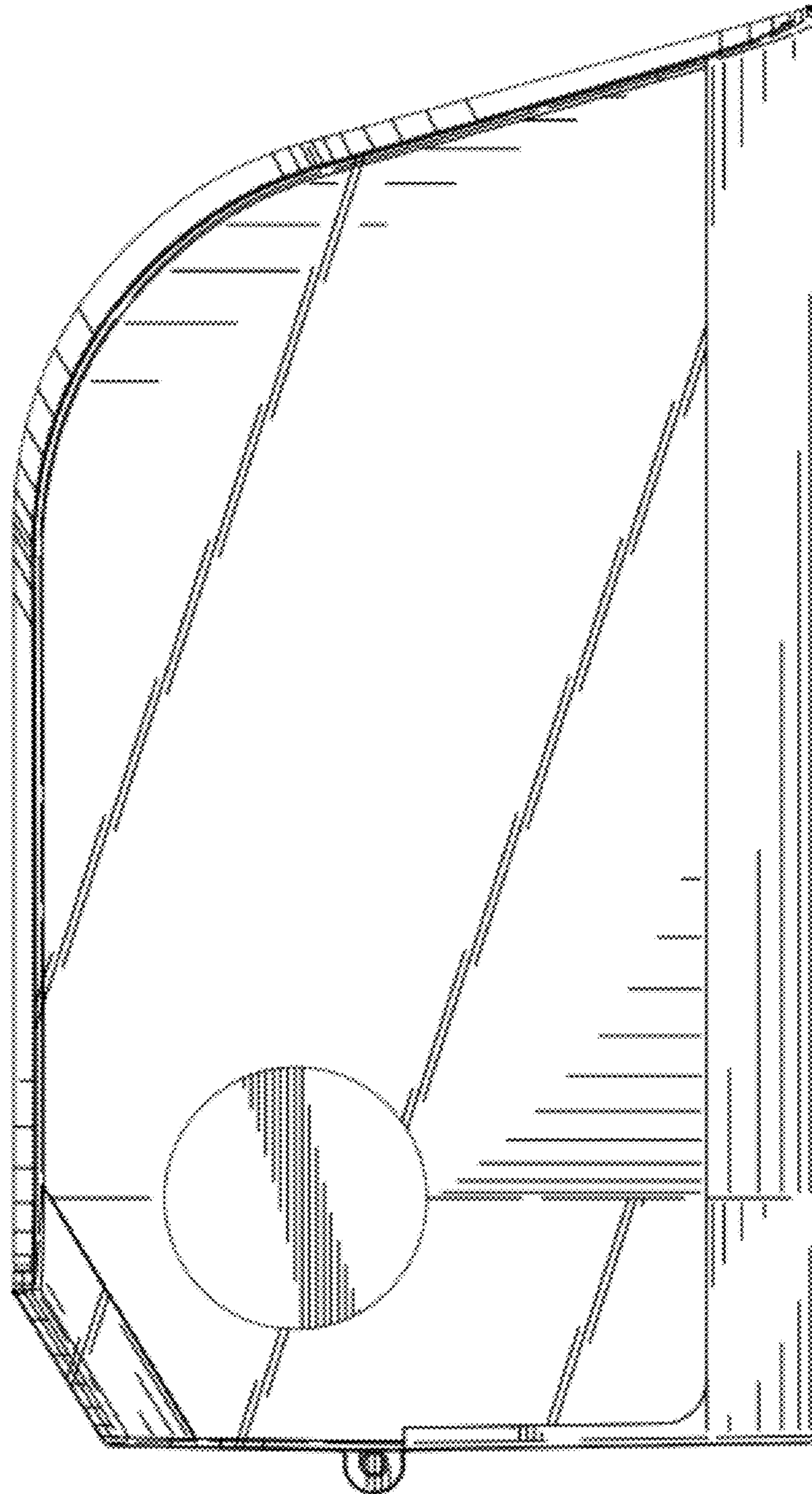


FIG. 4

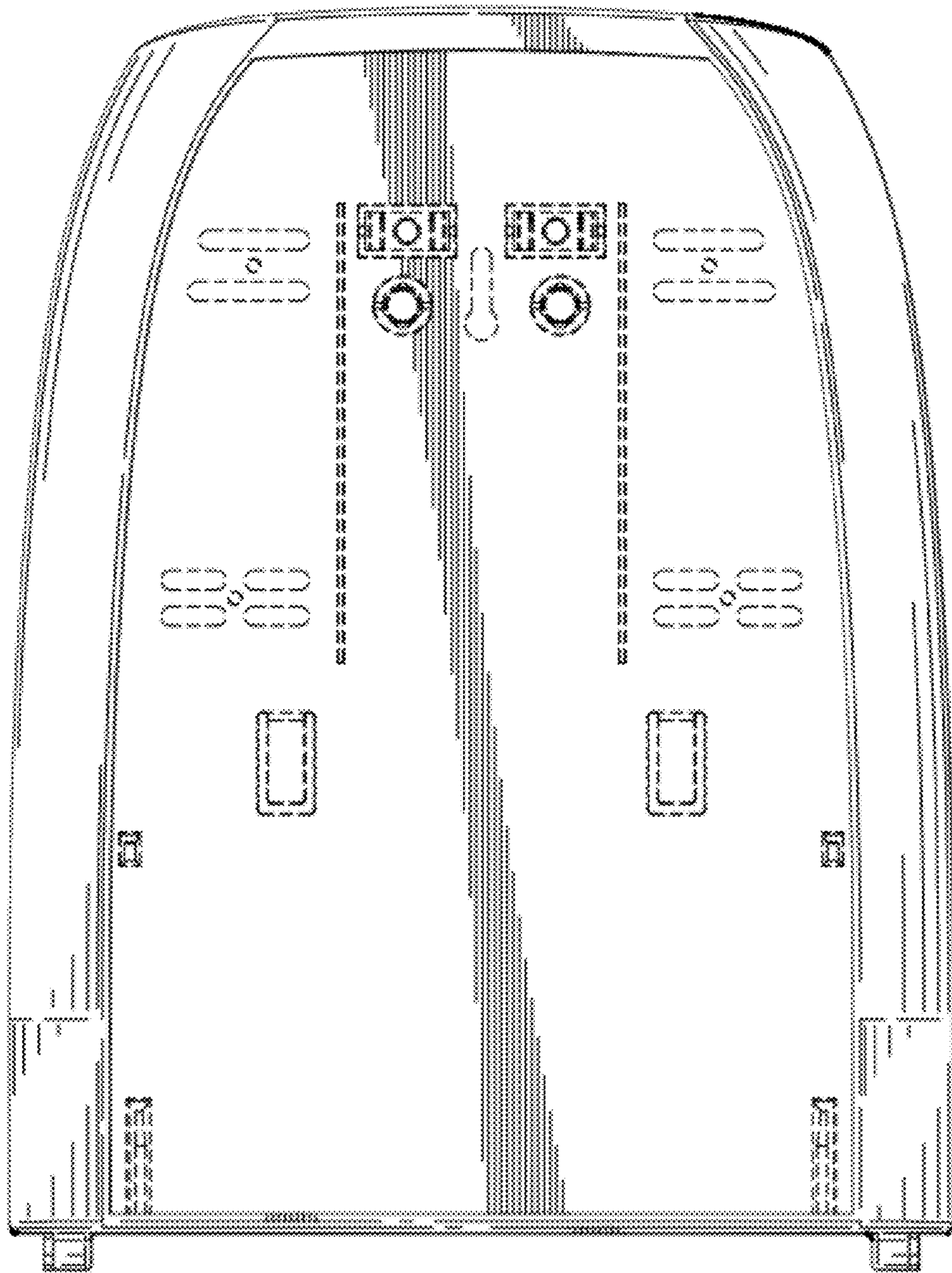


FIG. 5

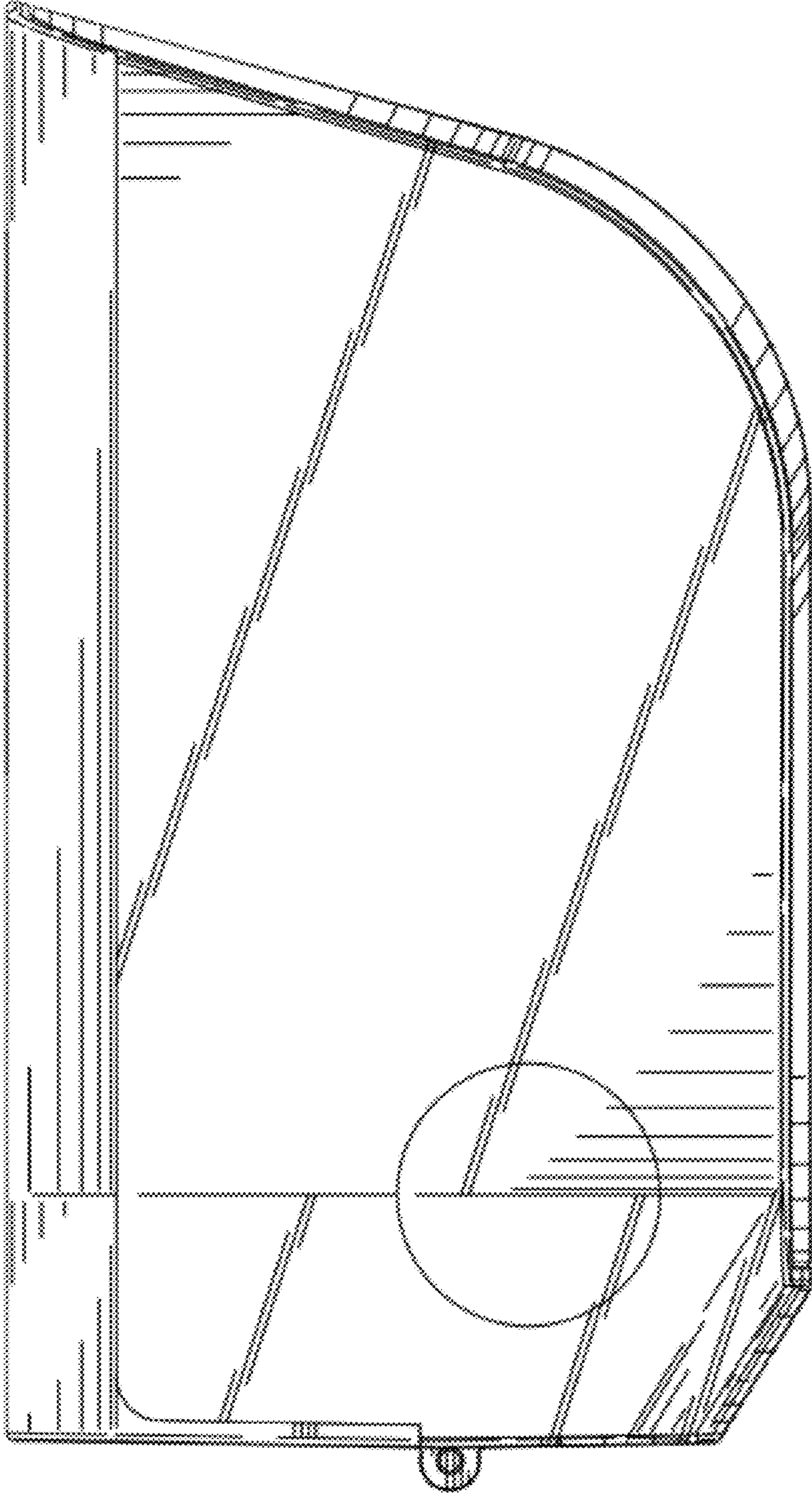


FIG. 6

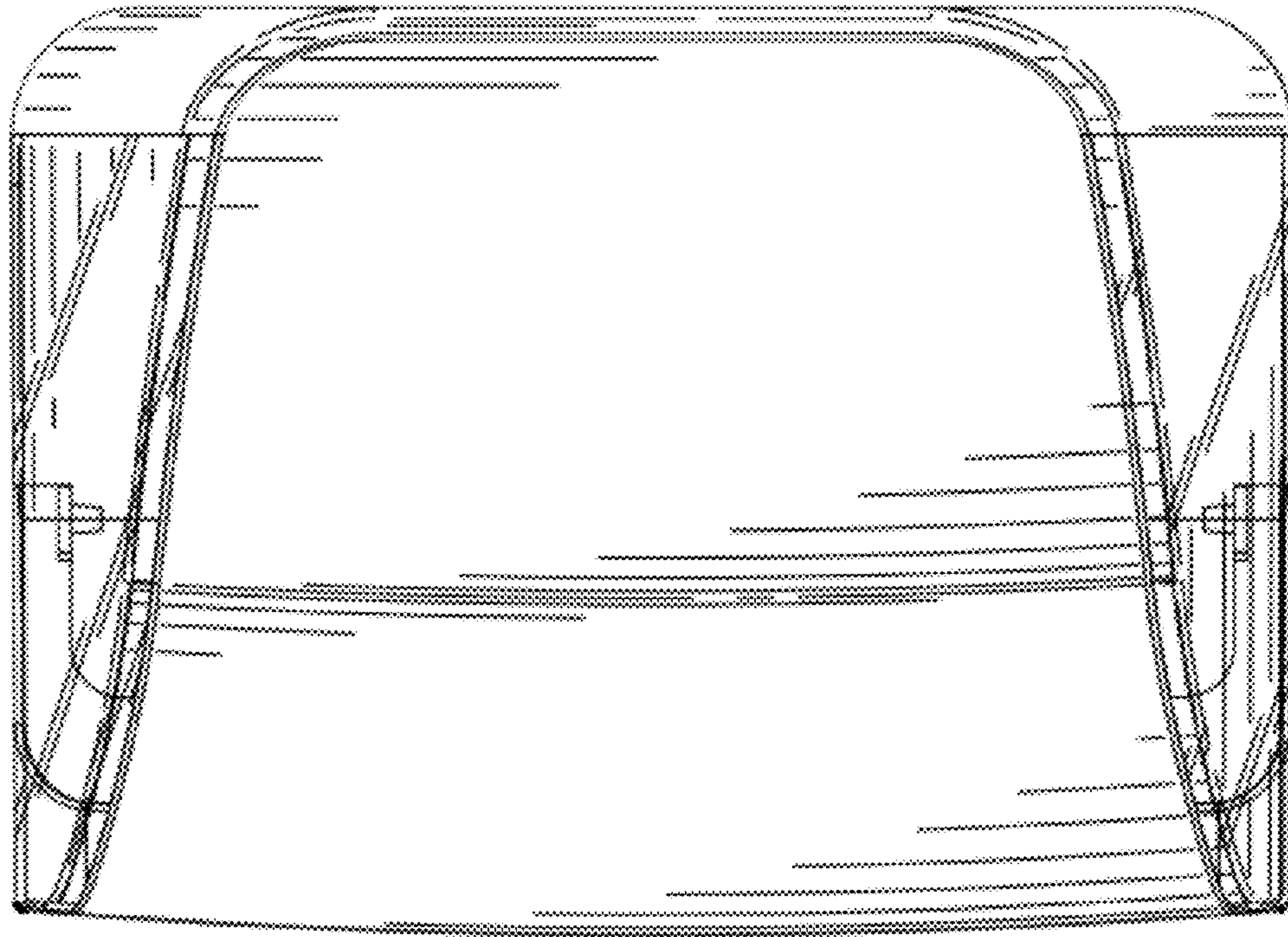


FIG. 7

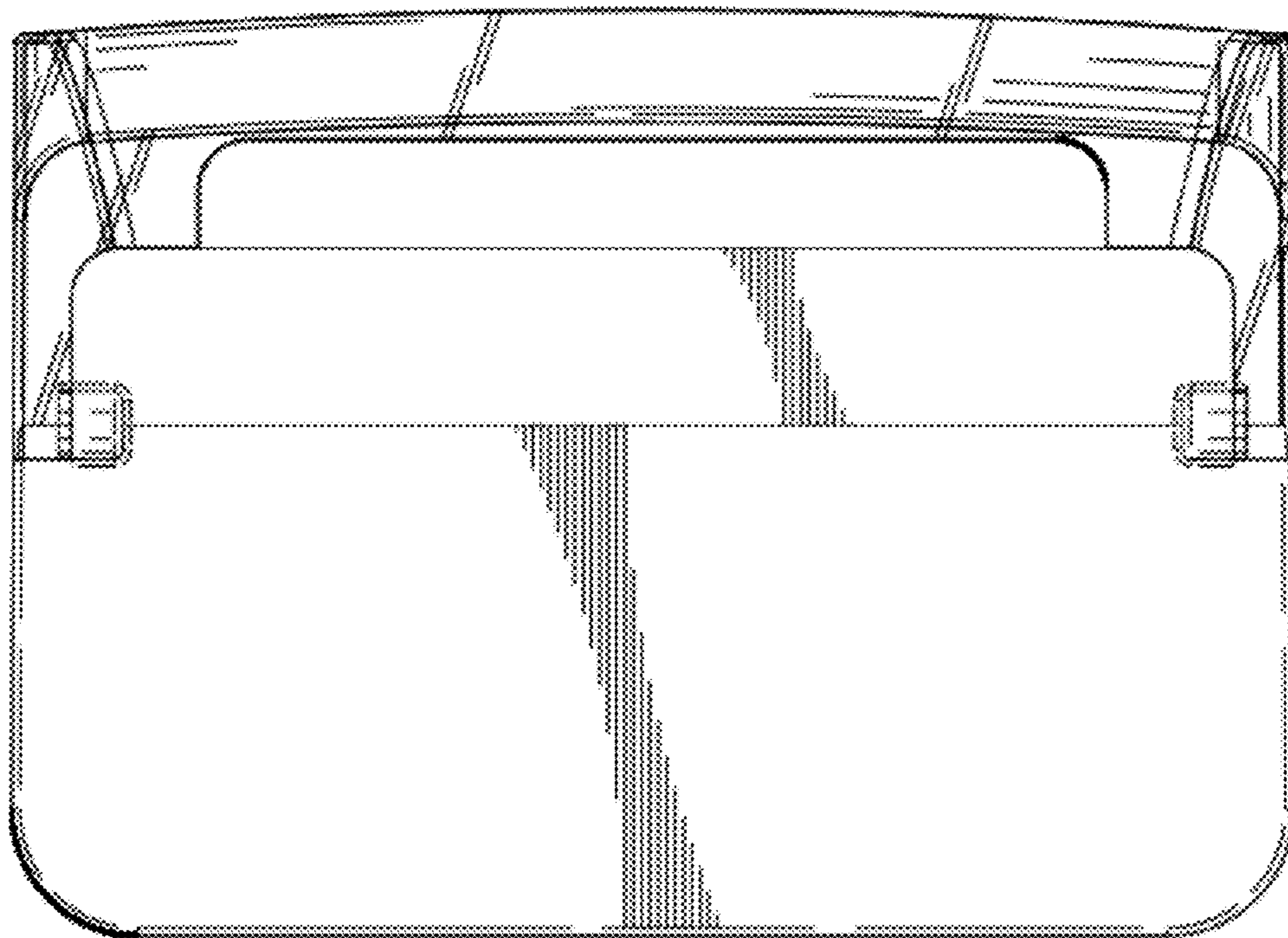


FIG. 8