



US00D656765S

(12) **United States Design Patent**  
**Fejt**

(10) **Patent No.:** **US D656,765 S**

(45) **Date of Patent:** **\*\* Apr. 3, 2012**

(54) **FOOTBOARD**

(75) Inventor: **Miroslav Fejt, Kladno (CZ)**

(73) Assignee: **Linet Spol. S.R.O., Slany (CZ)**

(\*\*) Term: **14 Years**

(21) Appl. No.: **29/390,972**

(22) Filed: **May 2, 2011**

(51) **LOC (9) Cl.** ..... **06-06**

(52) **U.S. Cl.** ..... **D6/505**

(58) **Field of Classification Search** ..... D6/382-384,  
D6/392-395, 503, 505-508; 5/600, 607,  
5/613, 200.1, 286, 663, 424, 425, 662, 53.1  
See application file for complete search history.

(56) **References Cited**

**U.S. PATENT DOCUMENTS**

7,644,457	B2 *	1/2010	Hensley et al.	5/425
2004/0177443	A1 *	9/2004	Simmonds et al.	5/428
2006/0162068	A1 *	7/2006	Risk et al.	5/53.1
2006/0195986	A1 *	9/2006	Hakamiun et al.	5/600
2007/0169268	A1 *	7/2007	Lemire et al.	5/617
2007/0180624	A1 *	8/2007	Newkirk et al.	5/663

2011/0010861	A1 *	1/2011	Heimbrock et al.	5/618
2011/0191957	A1 *	8/2011	Hornbach et al.	5/425
2011/0214234	A1 *	9/2011	Herman	5/600

\* cited by examiner

*Primary Examiner* — Janice Seeger

(74) *Attorney, Agent, or Firm* — Goodman Allen & Filetti PLLC

(57) **CLAIM**

The ornamental design for a footboard, as shown and described.

**DESCRIPTION**

FIG. 1 is a front perspective view of a footboard for a medical bed embodying my design.

FIG. 2 is a rear perspective view thereof.

FIG. 3 is a front view thereof.

FIG. 4 is a rear view thereof.

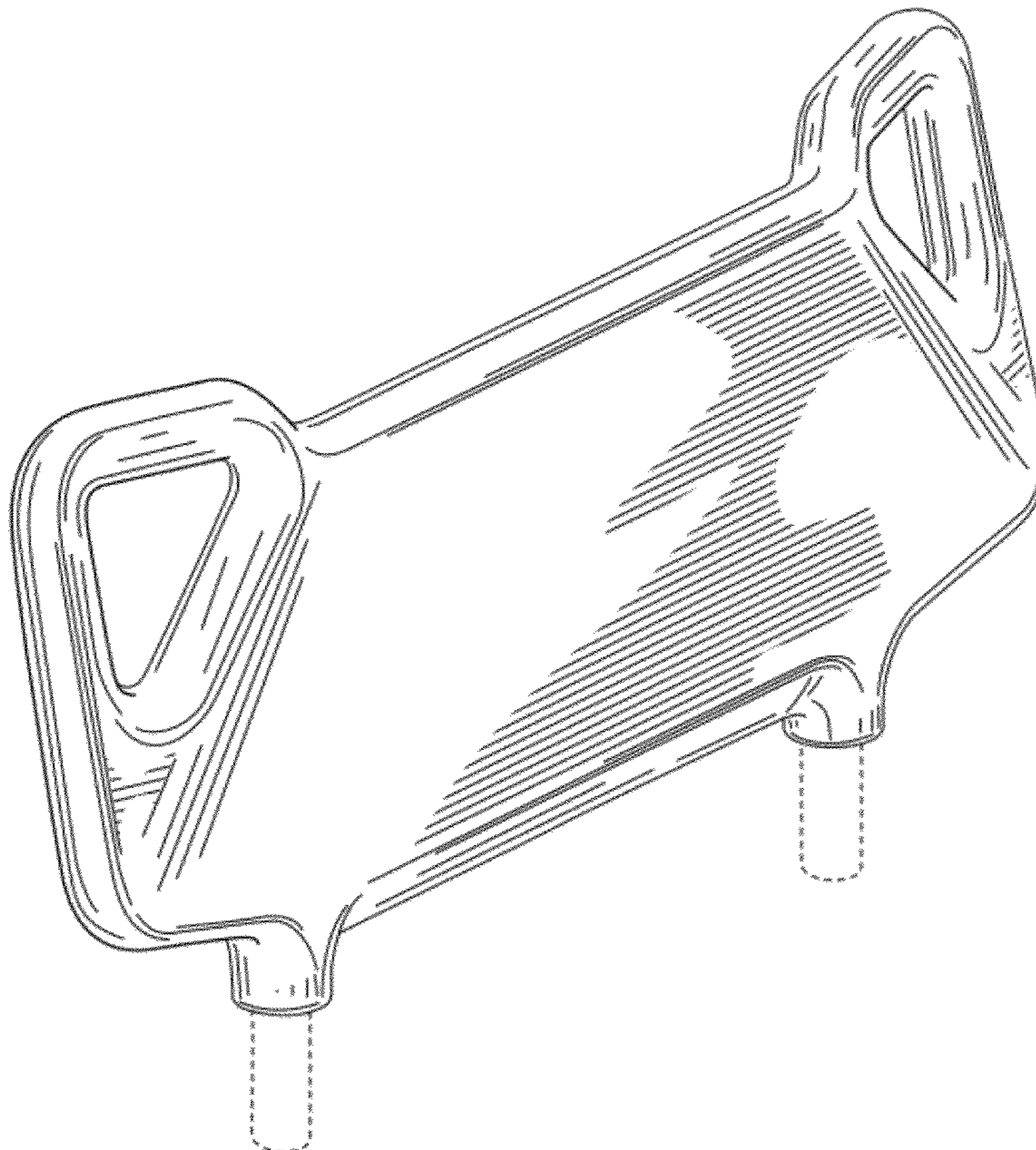
FIG. 5 is a top plan view thereof.

FIG. 6 is a bottom plan view thereof; and,

FIG. 7 is a right side elevational view with the left side being a mirror image thereof.

The broken line in FIGS. 1-4, 6 and 7 forms no part of the claimed design.

**1 Claim, 4 Drawing Sheets**



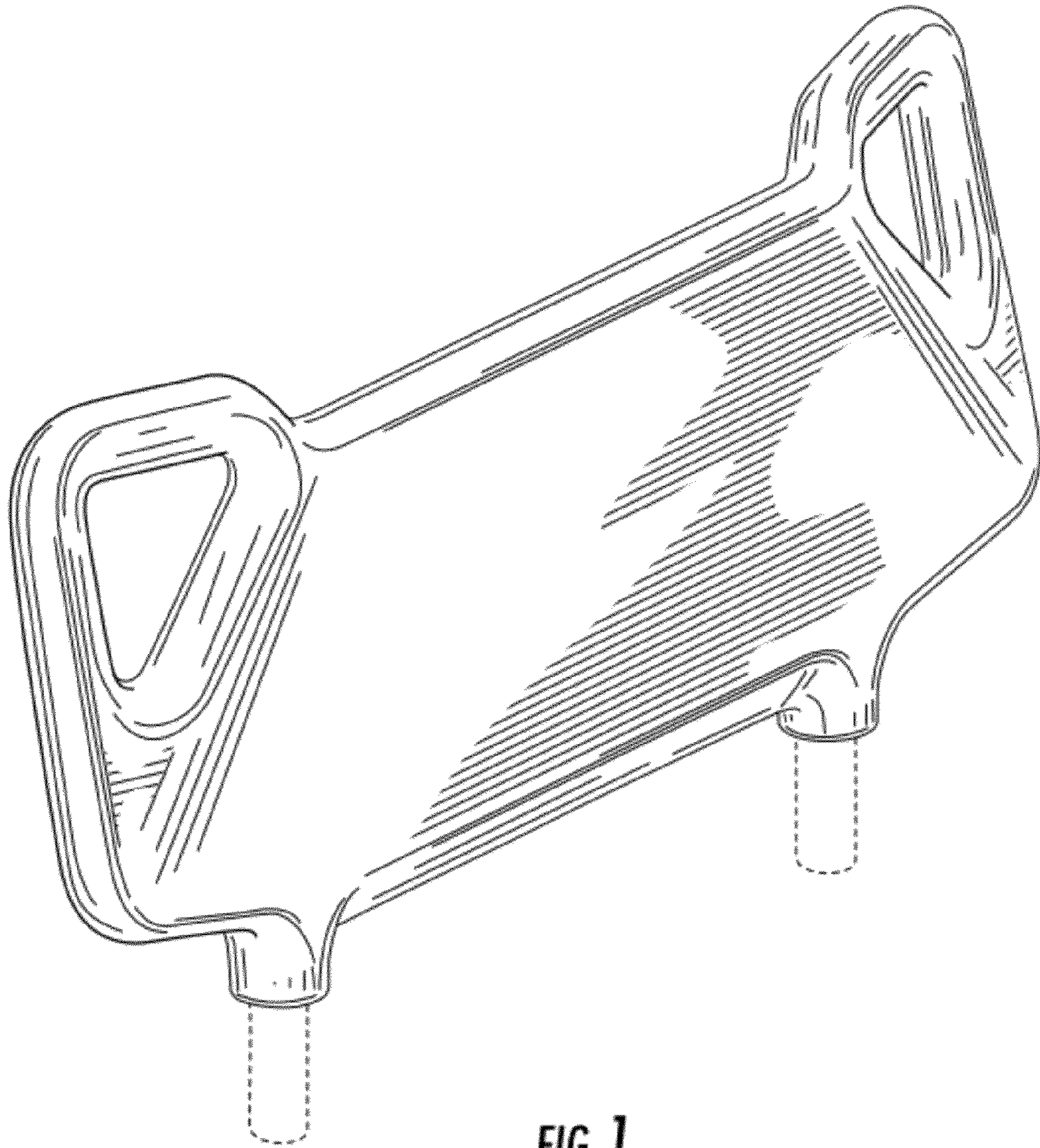


FIG. 1

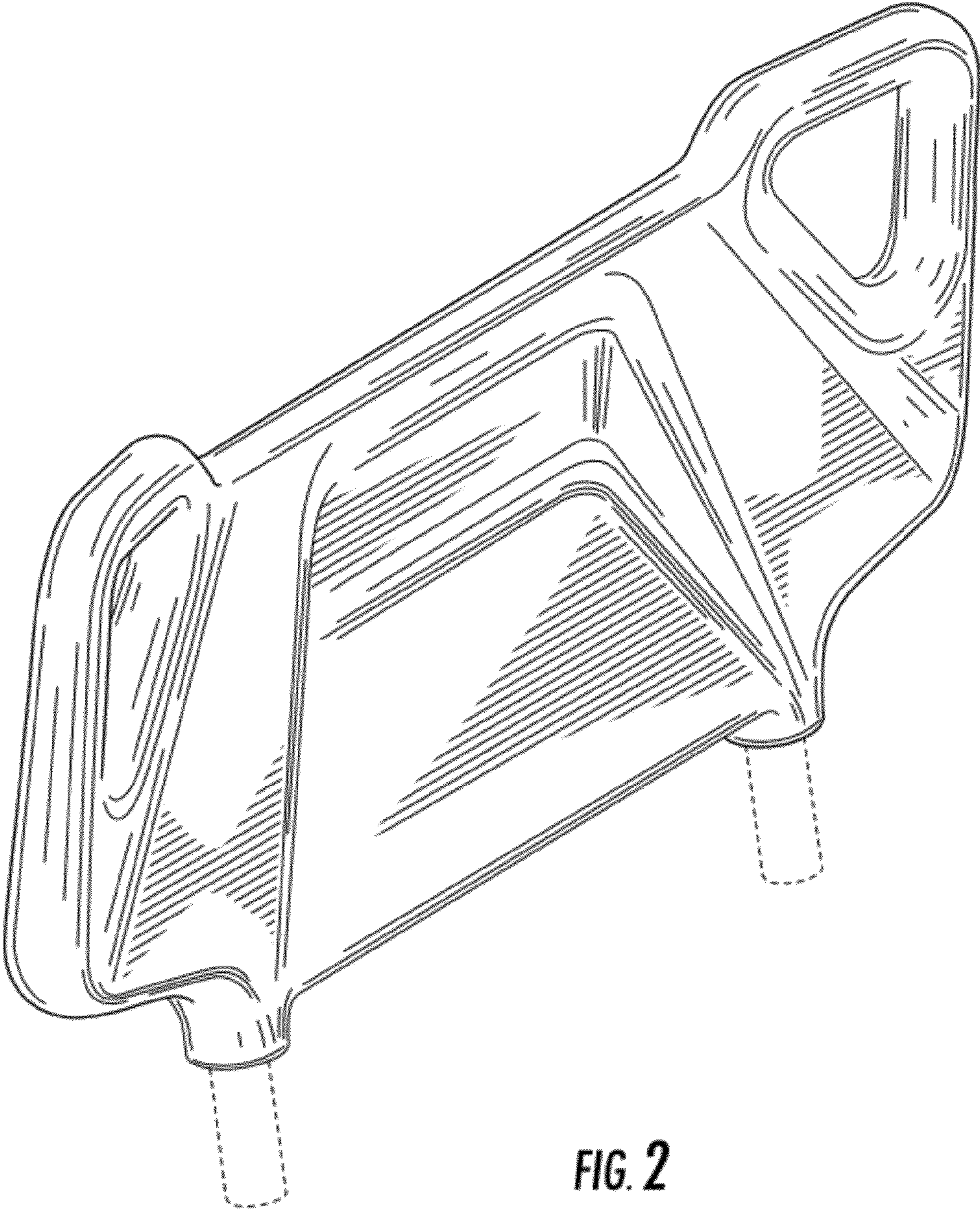
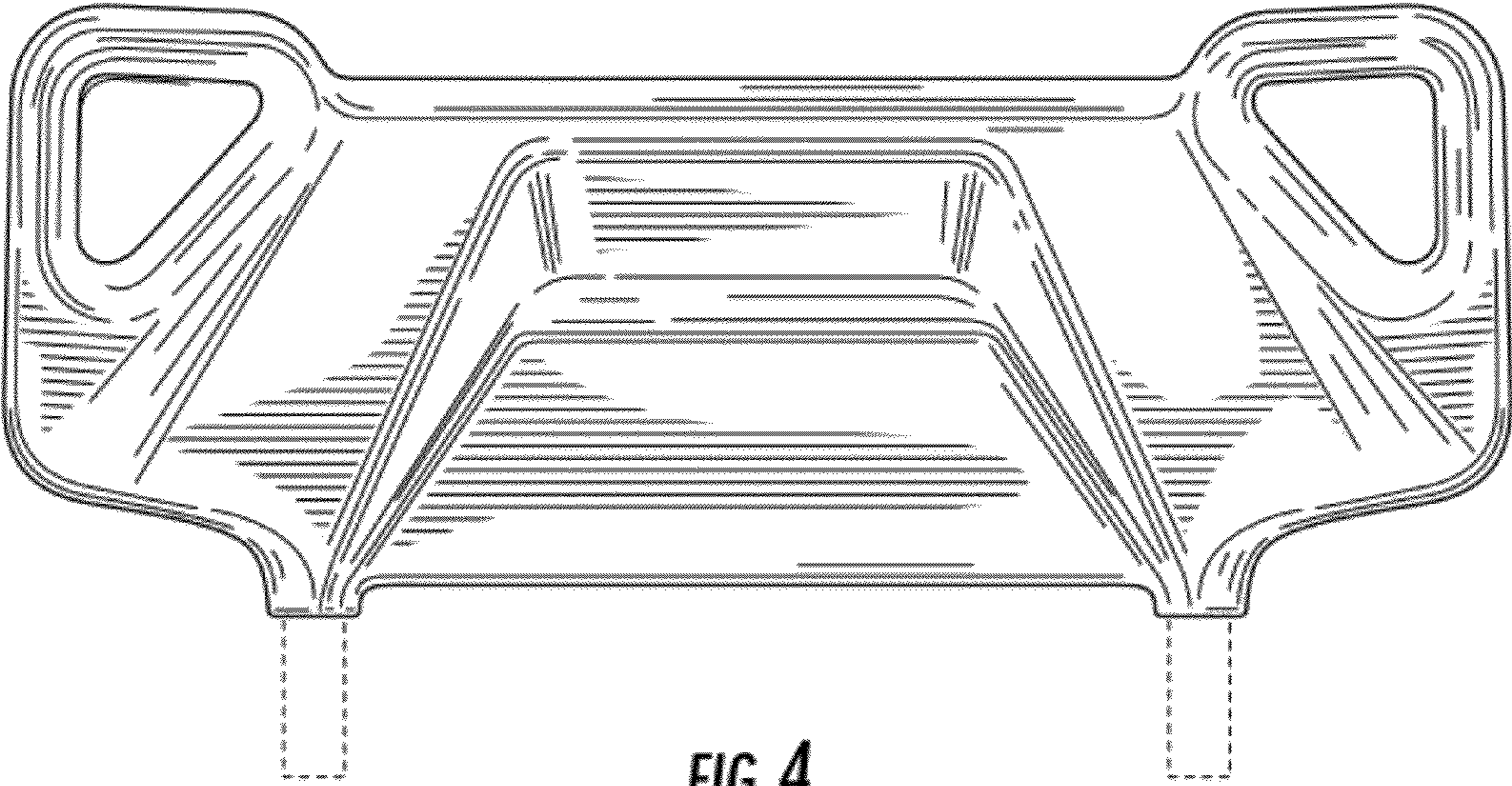
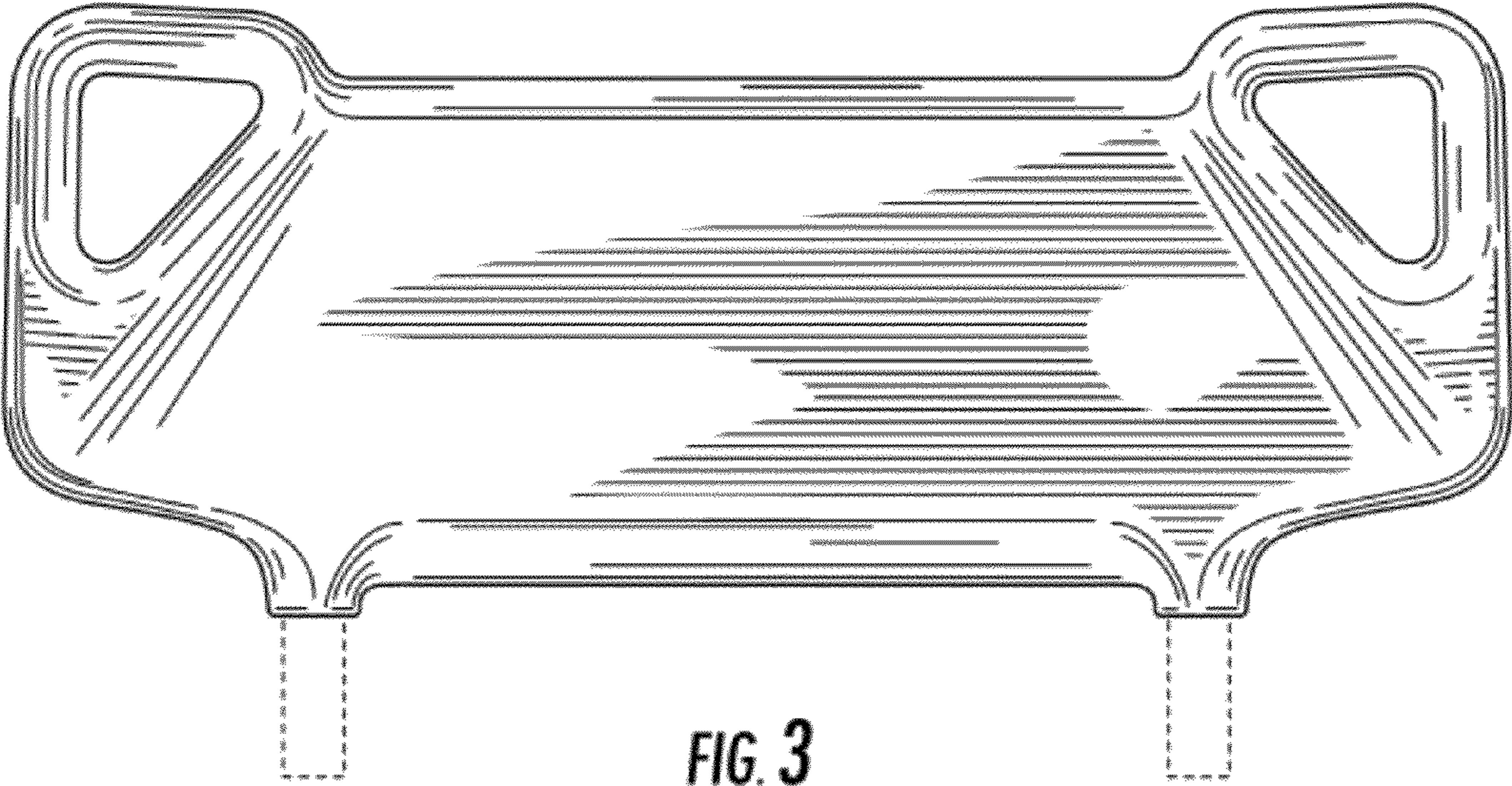


FIG. 2



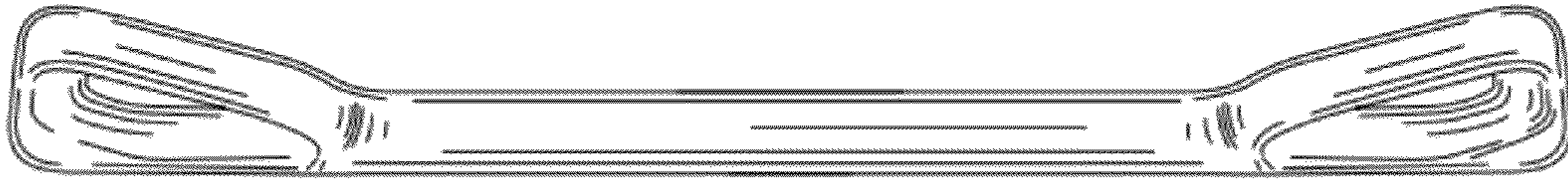


FIG. 5

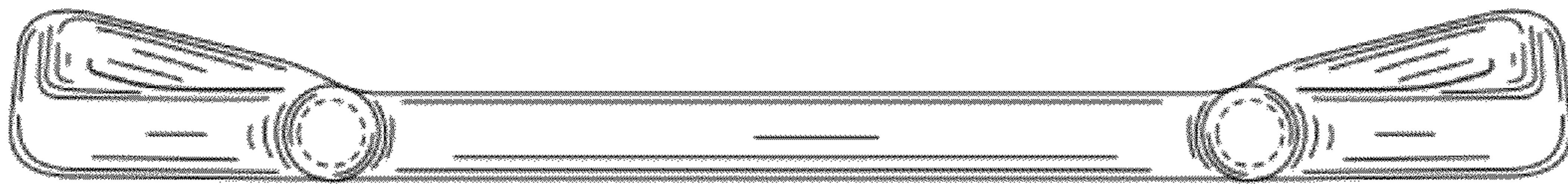


FIG. 6



FIG. 7