



US00D656763S

(12) **United States Design Patent**
Fejt

(10) **Patent No.:** **US D656,763 S**

(45) **Date of Patent:** **** Apr. 3, 2012**

(54) **FRAME COVER**

(75) Inventor: **Miroslav Fejt**, Kladno (CZ)

(73) Assignee: **Linet Spol. S.R.O.**, Slany (CZ)

(**) Term: **14 Years**

(21) Appl. No.: **29/390,983**

(22) Filed: **May 2, 2011**

(51) **LOC (9) Cl.** **06-06**

(52) **U.S. Cl.** **D6/503**

(58) **Field of Classification Search** D6/382-384,
D6/392-395, 503; 5/600, 607, 613, 200.1,
5/286, 663, 424, 425, 662

See application file for complete search history.

(56) **References Cited**

U.S. PATENT DOCUMENTS

D278,489 S *	4/1985	Ragland	D6/382
5,561,876 A *	10/1996	Petruzella	5/724
D433,246 S *	11/2000	Pettifer	D6/382
D646,908 S *	10/2011	Szekely	D6/382

* cited by examiner

Primary Examiner — Janice Seeger

(74) *Attorney, Agent, or Firm* — Goodman Allen & Filetti PLLC

(57) **CLAIM**

The ornamental design for a frame cover, as shown and described.

DESCRIPTION

FIG. 1 is a perspective view of a frame cover for a medical bed embodying my design.

FIG. 2 is a right side elevational view thereof.

FIG. 3 is a left side elevational view thereof.

FIG. 4 is a top plan view thereof.

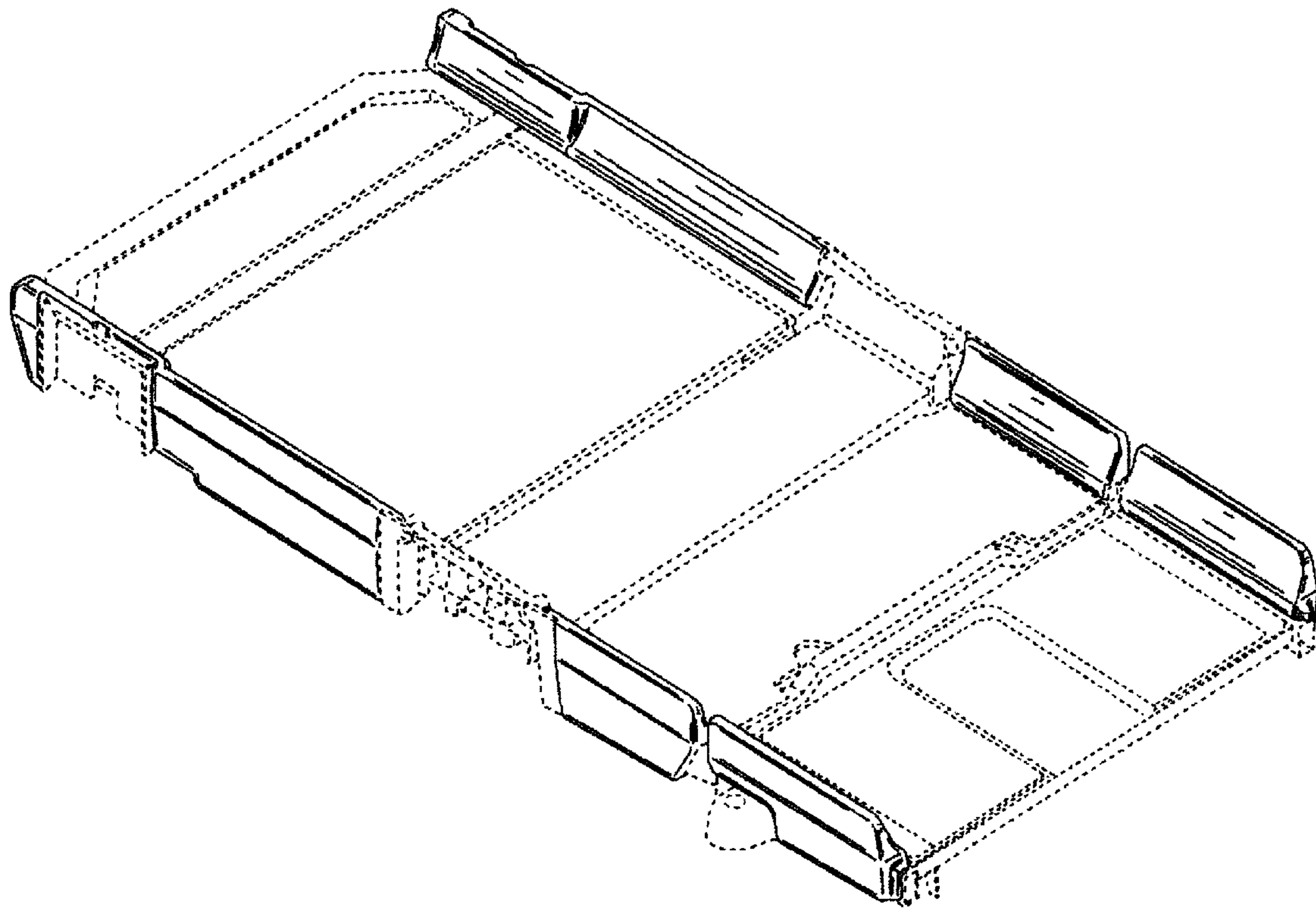
FIG. 5 is a bottom plan view thereof.

FIG. 6 is a front elevational view thereof; and,

FIG. 7 is a rear elevational view thereof.

The broken line shown throughout the drawing figures forms no part of the claimed design.

1 Claim, 5 Drawing Sheets



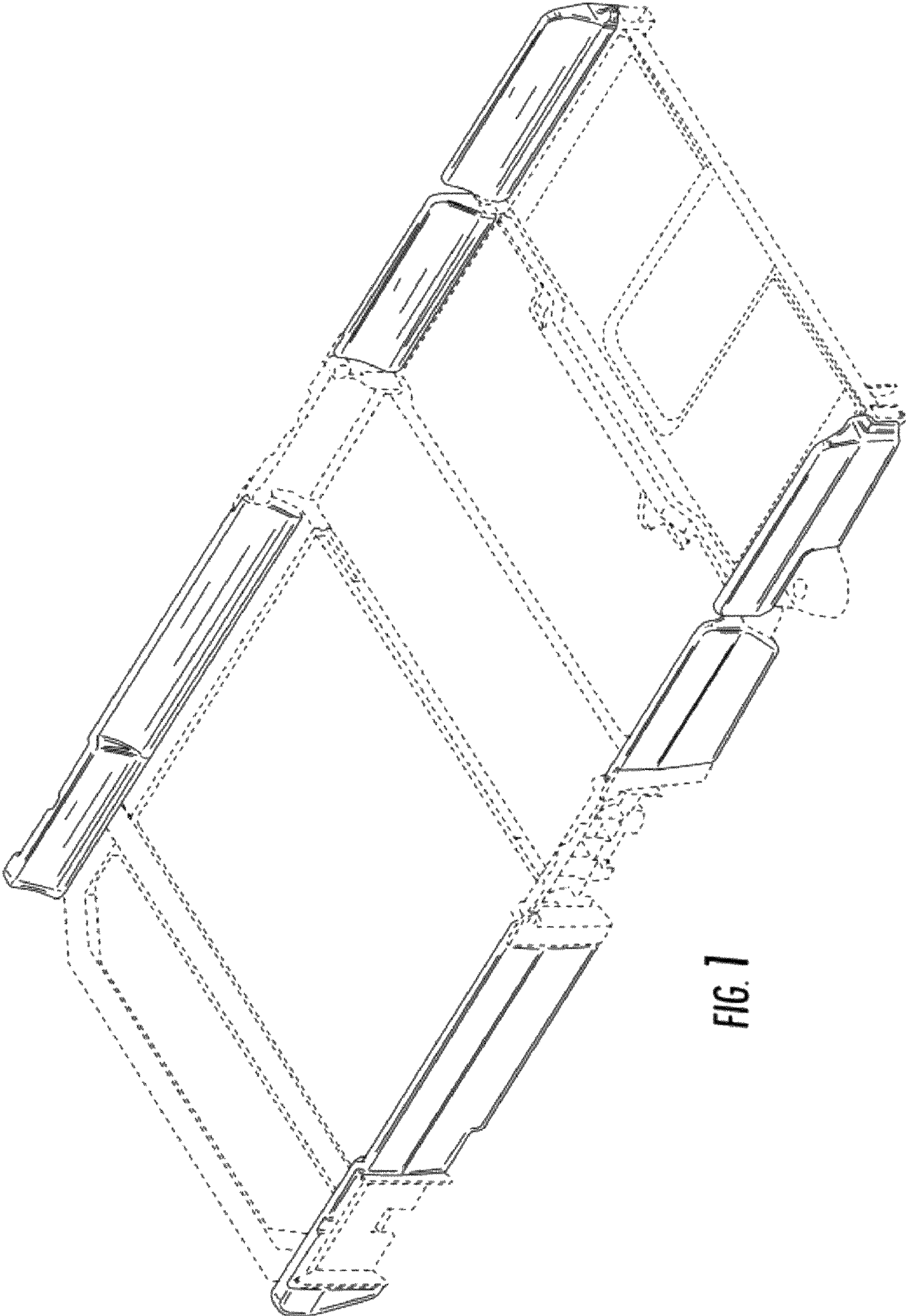


FIG. 1

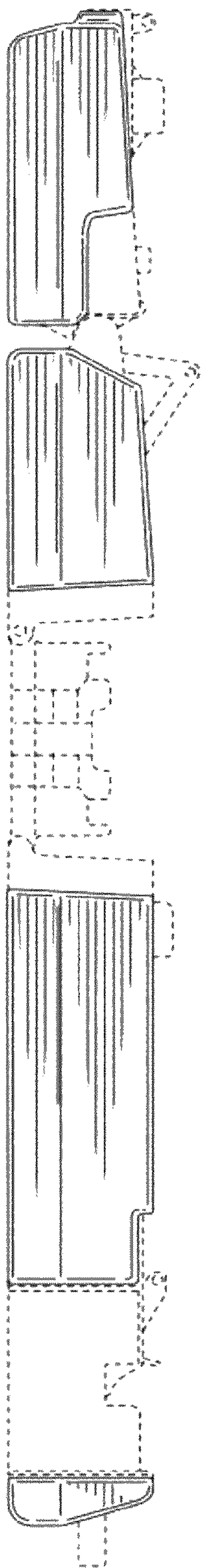


FIG. 2

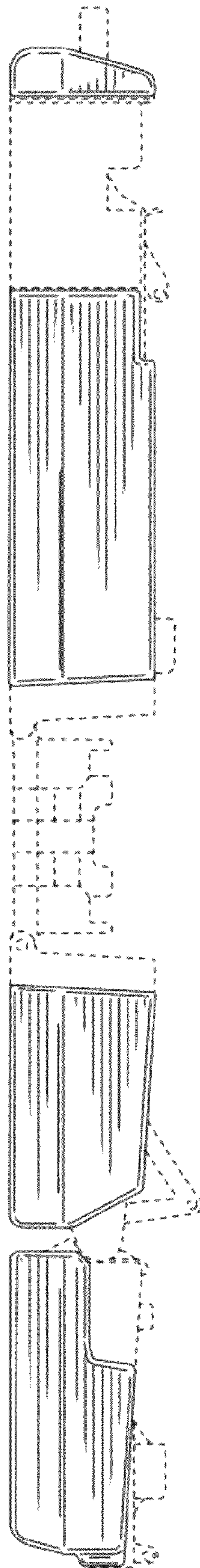


FIG. 3

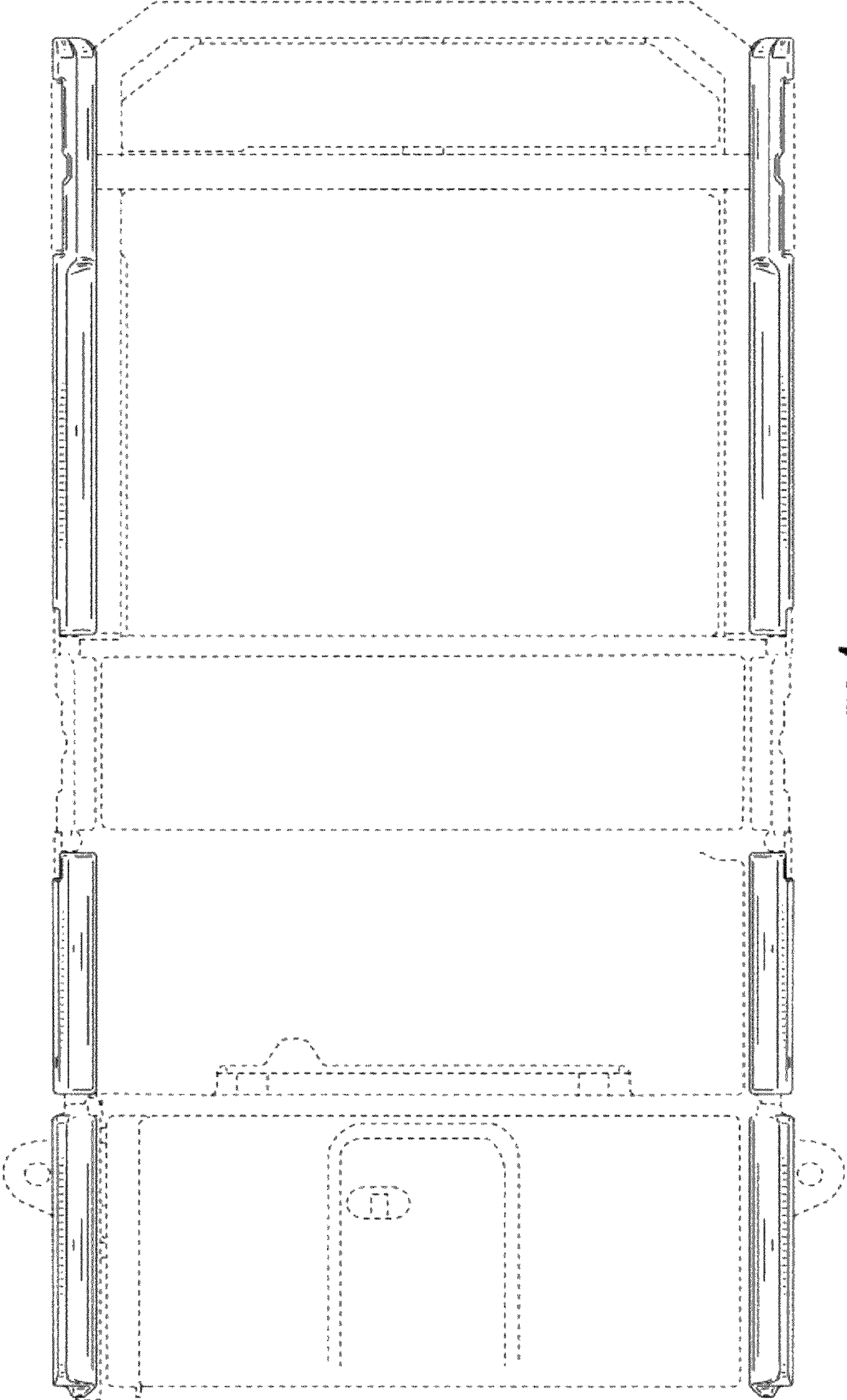


FIG. 4

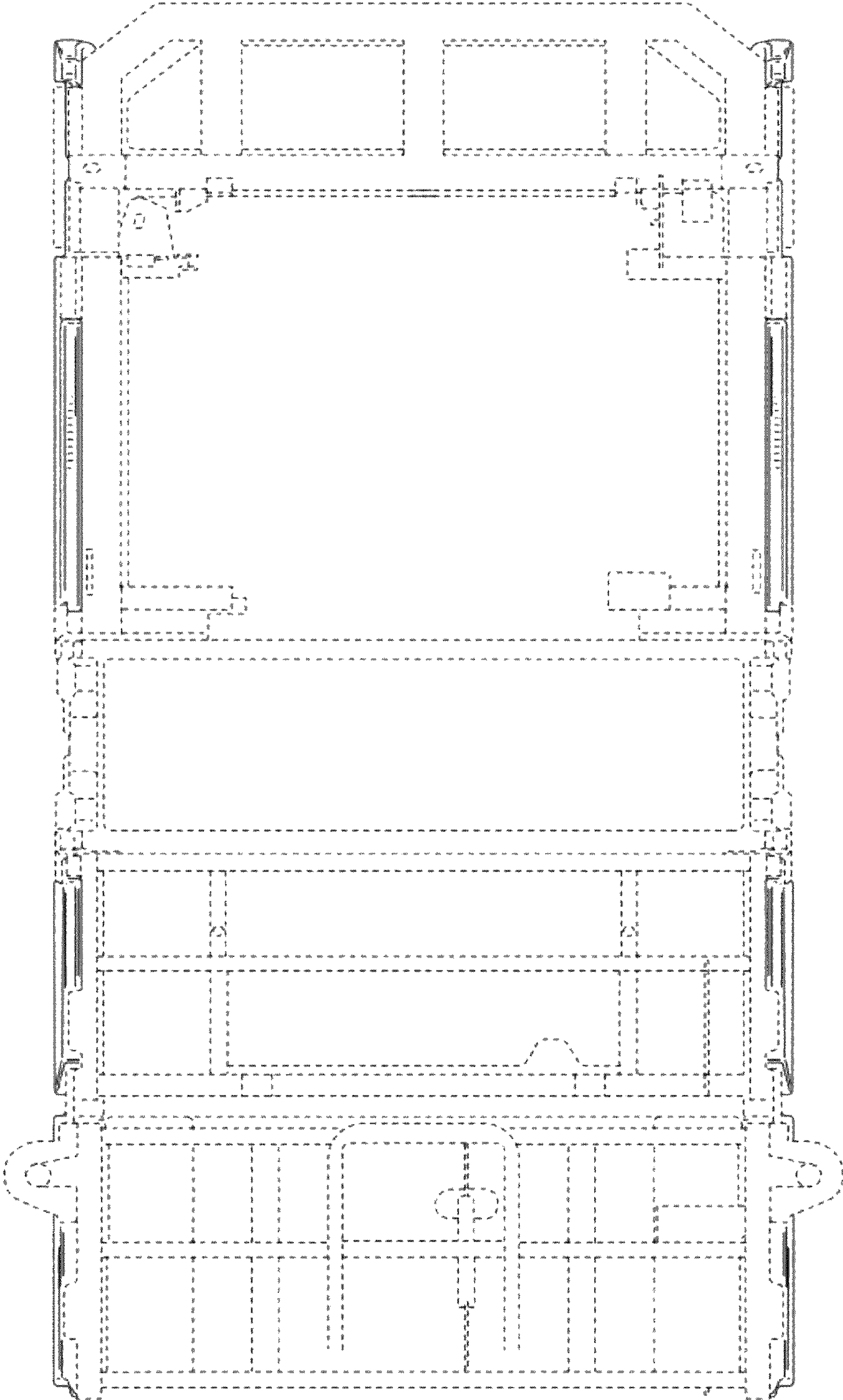


FIG. 5

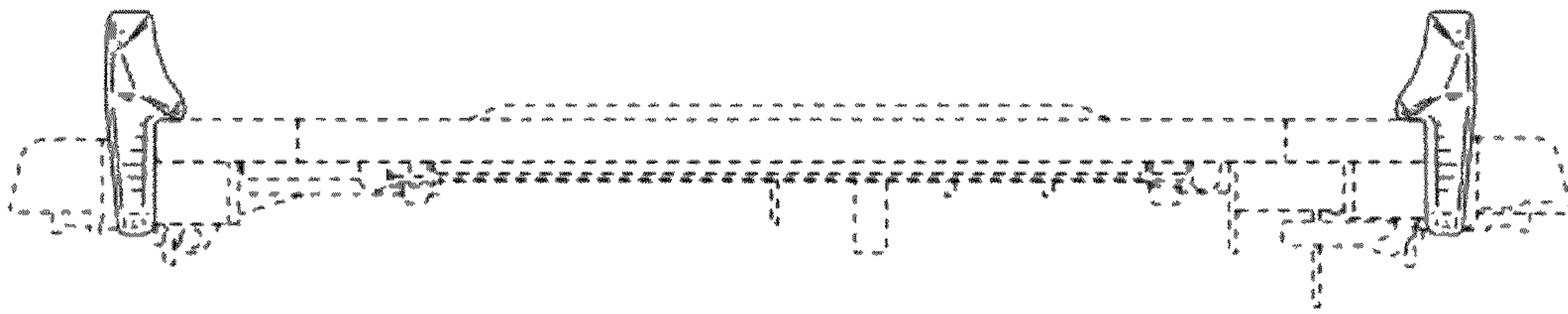


FIG. 6

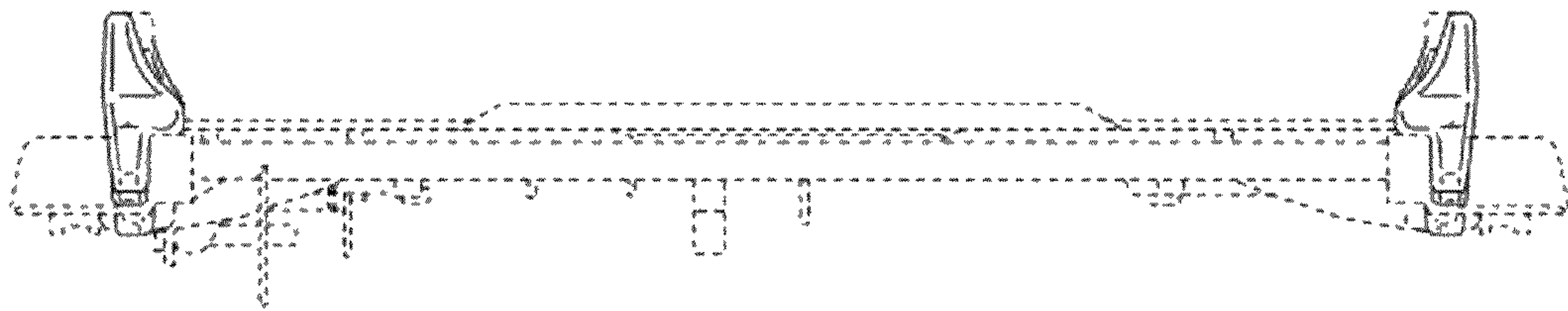


FIG. 7