



US00D656762S

(12) **United States Design Patent**  
**Fejt**

(10) **Patent No.:** **US D656,762 S**

(45) **Date of Patent:** **\*\* Apr. 3, 2012**

(54) **SIDERAIL**

(75) Inventor: **Miroslav Fejt, Kladno (CZ)**

(73) Assignee: **Linet Spol. S.R.O., Slany (CZ)**

(\*\*) Term: **14 Years**

(21) Appl. No.: **29/390,975**

(22) Filed: **May 2, 2011**

(51) **LOC (9) Cl.** ..... **06-06**

(52) **U.S. Cl.** ..... **D6/503**

(58) **Field of Classification Search** ..... D6/382-384,  
D6/392-395, 503; 5/600, 607, 613, 200.1,  
5/286, 663, 424, 425, 662

See application file for complete search history.

(56) **References Cited**

U.S. PATENT DOCUMENTS

D637,020	S	*	5/2011	Heimbrock et al.	.....	D6/503
D640,887	S	*	7/2011	Heimbrock et al.	.....	D6/503
2007/0169268	A1	*	7/2007	Lemire et al.	.....	5/617
2007/0174965	A1	*	8/2007	Lemire et al.	.....	5/600
2011/0010861	A1	*	1/2011	Heimbrock et al.	.....	5/618
2011/0191957	A1	*	8/2011	Hornbach et al.	.....	5/425
2011/0231996	A1	*	9/2011	Lemire et al.	.....	5/613
2011/0258779	A1	*	10/2011	Derenne et al.	.....	5/600

2011/0277242 A1\* 11/2011 Dionne et al. .... 5/611  
\* cited by examiner

*Primary Examiner* — Janice Seeger

(74) *Attorney, Agent, or Firm* — Goodman Allen & Filetti PLLC

(57) **CLAIM**

The ornamental design for a siderail, as shown and described.

**DESCRIPTION**

FIG. 1 is a front perspective view of a siderail, showing my new design;

FIG. 2 is a front elevational view of the siderail.

FIG. 3 is a rear elevational view of the siderail.

FIG. 4 is a top plan view of the siderail.

FIG. 5 is a bottom plan view of the siderail.

FIG. 6 is a right side elevational view of the siderail.

FIG. 7 is a left side elevational view of the siderail.

FIG. 8 is an alternate embodiment of the siderail;

FIG. 9 is a front elevational view of the siderail.

FIG. 10 is a rear elevational view of the siderail.

FIG. 11 is a top plan view of the siderail.

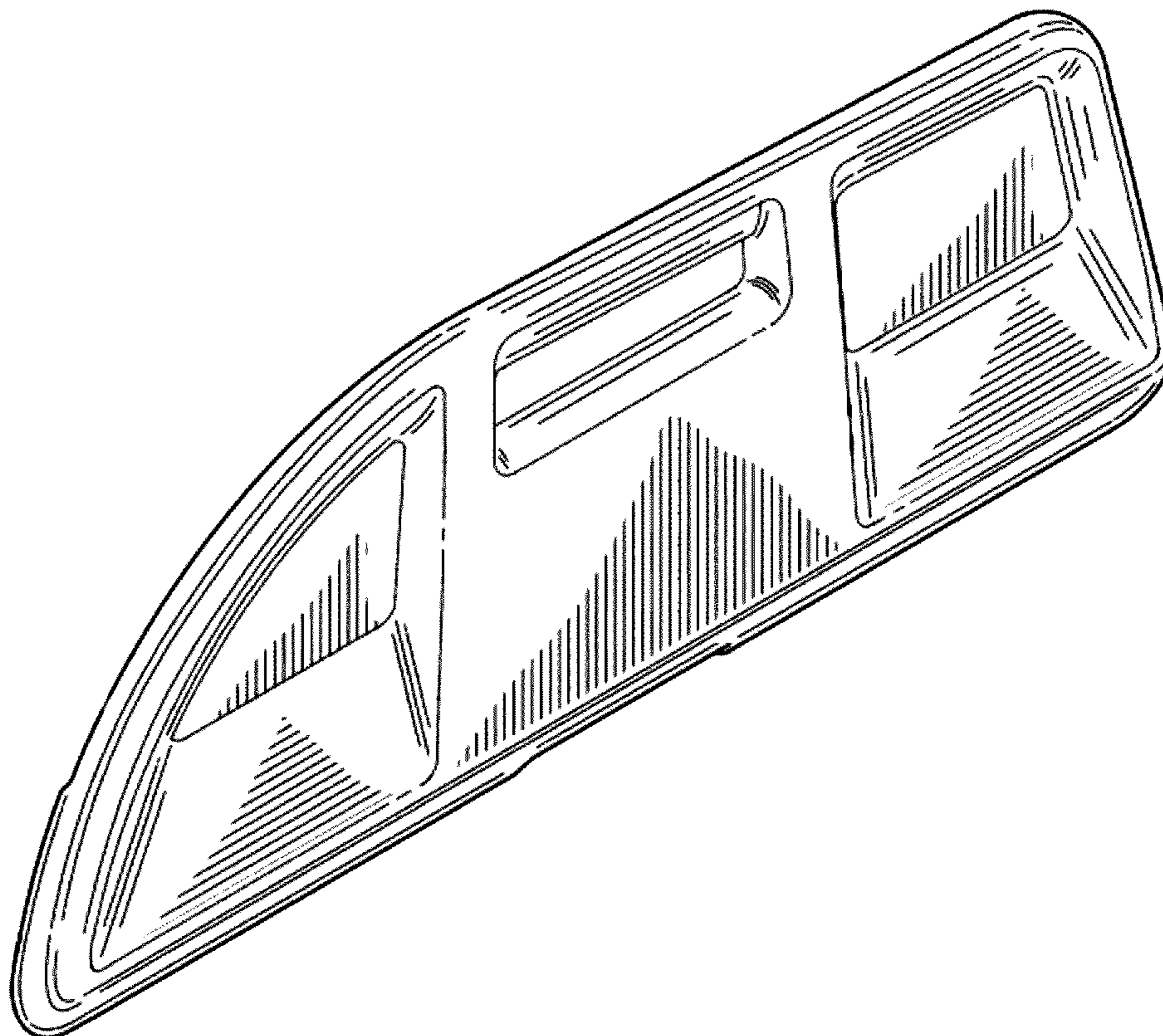
FIG. 12 is a bottom plan view of the siderail.

FIG. 13 is a left side elevational view of the siderail; and,

FIG. 14 is a right side elevational view of the siderail.

The broken line in FIGS. 3-5 and 10-12 forms no part of the claimed design.

**1 Claim, 12 Drawing Sheets**



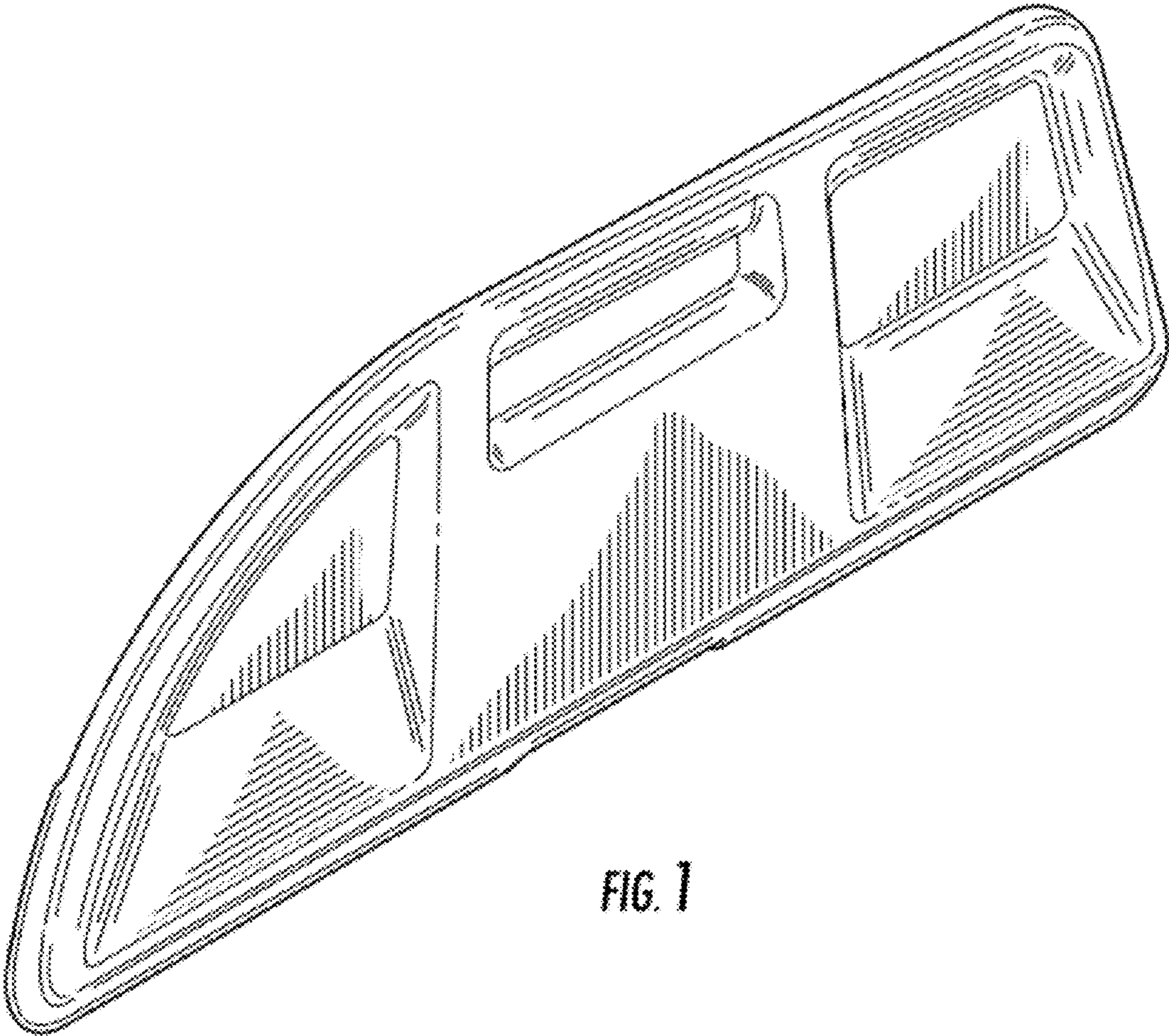


FIG. 1

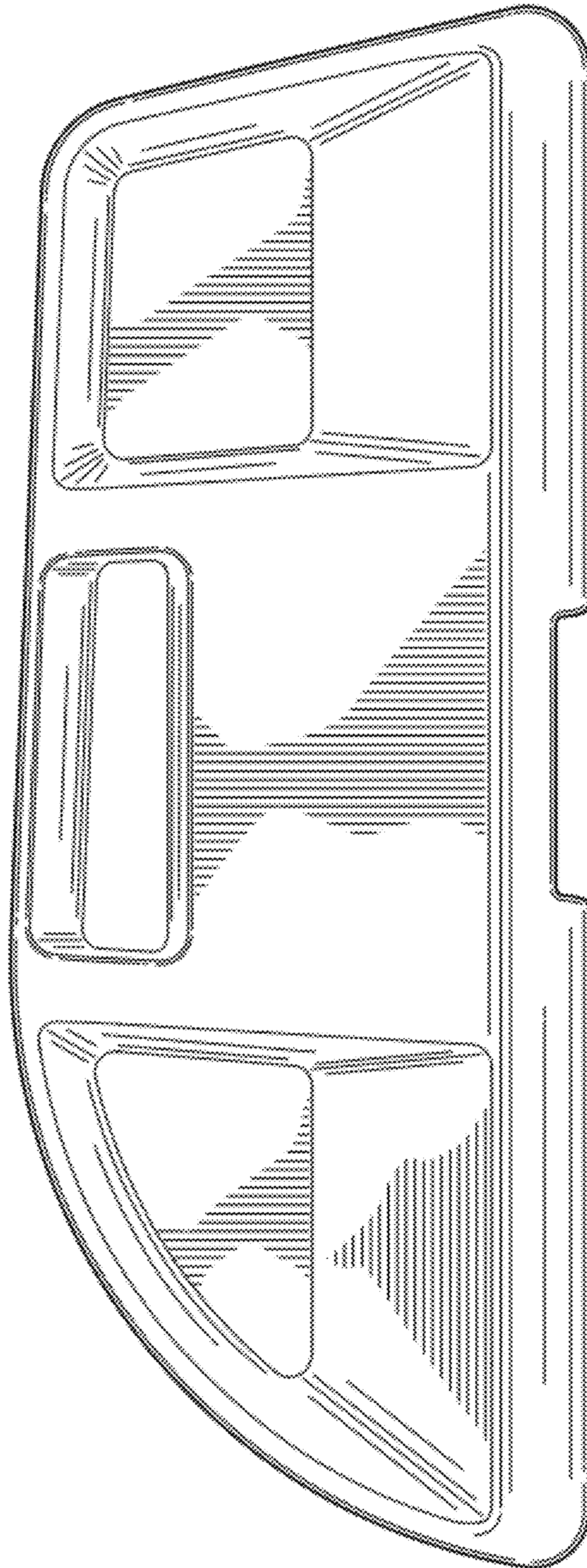


FIG. 2

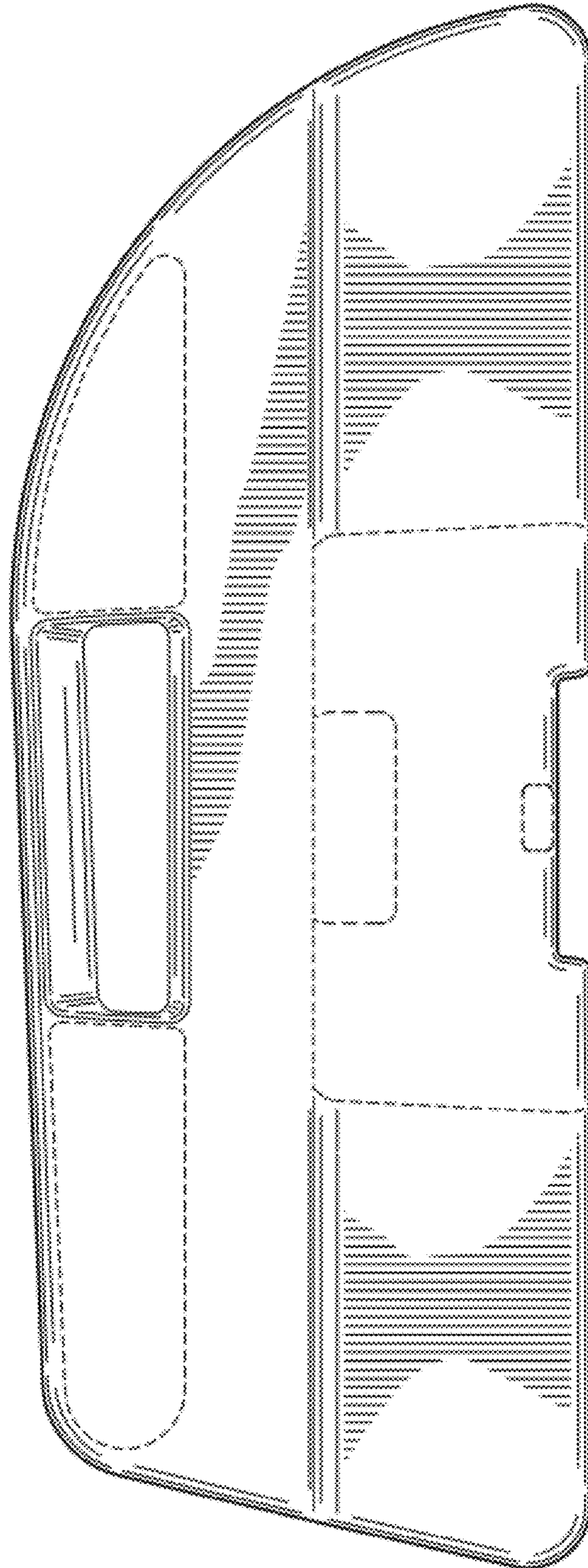


FIG. 3

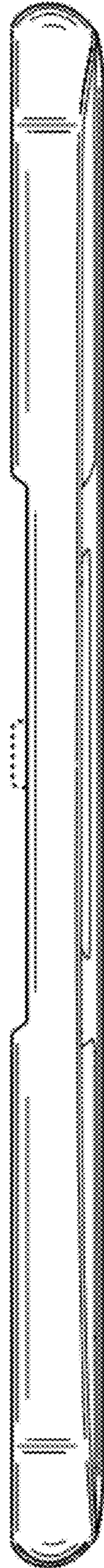


FIG. 4

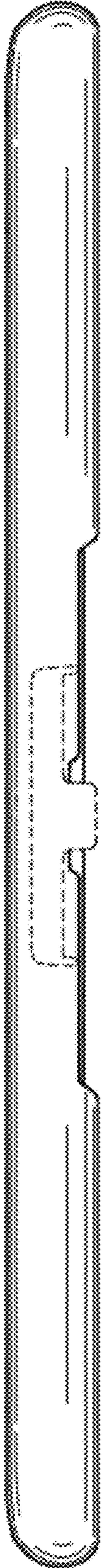


FIG. 5

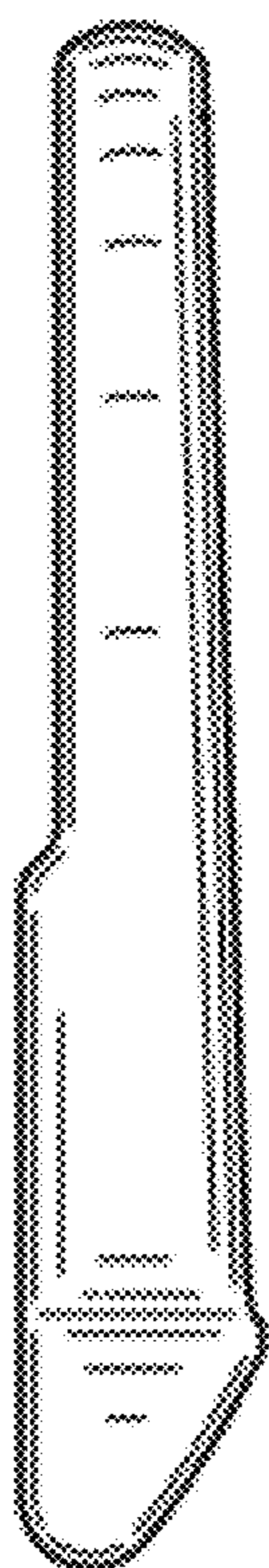


FIG. 6

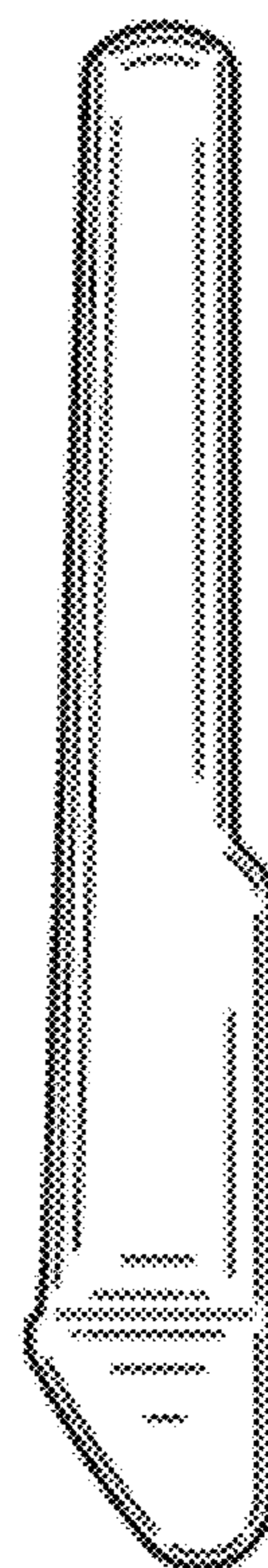


FIG. 7

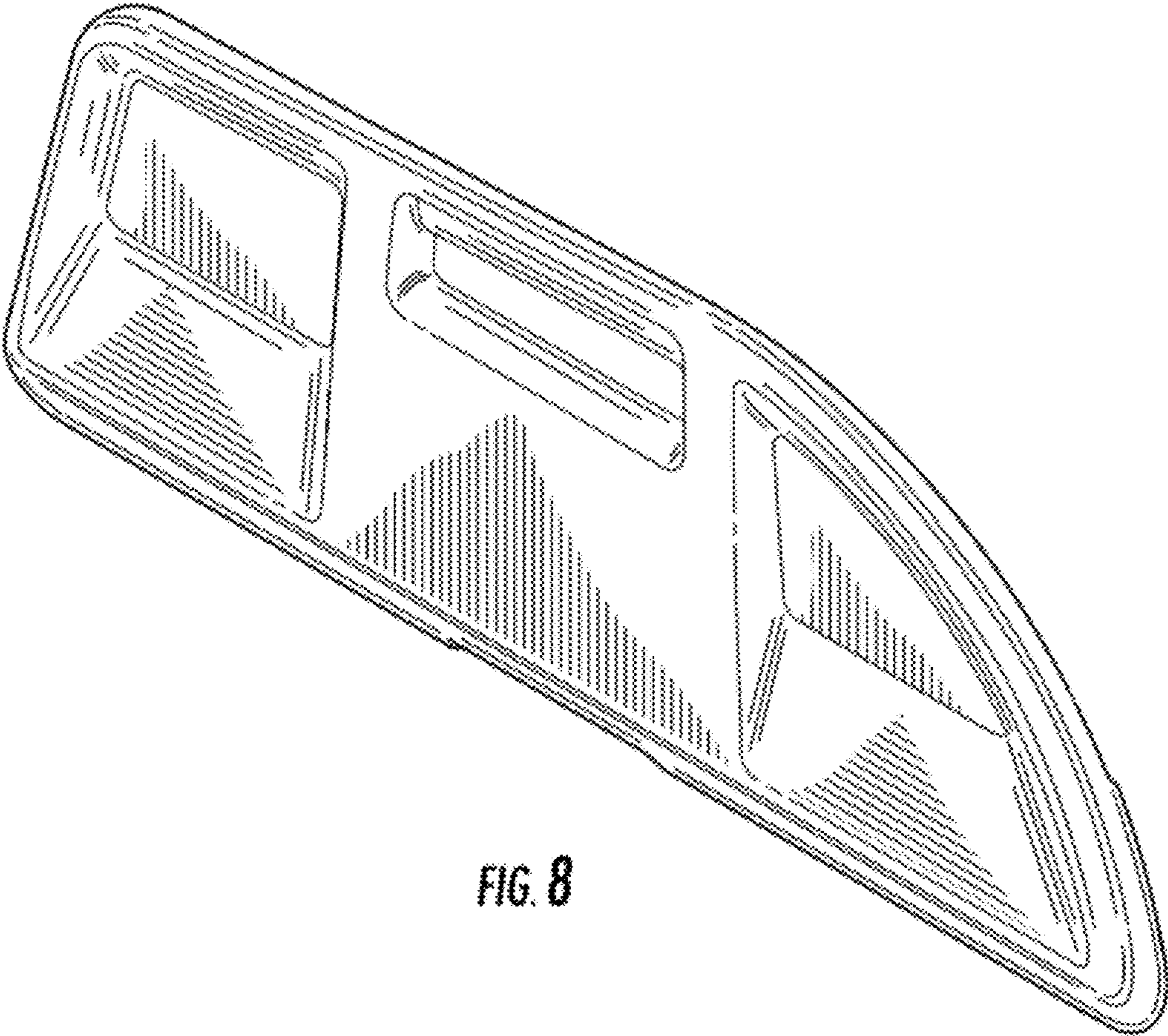


FIG. 8



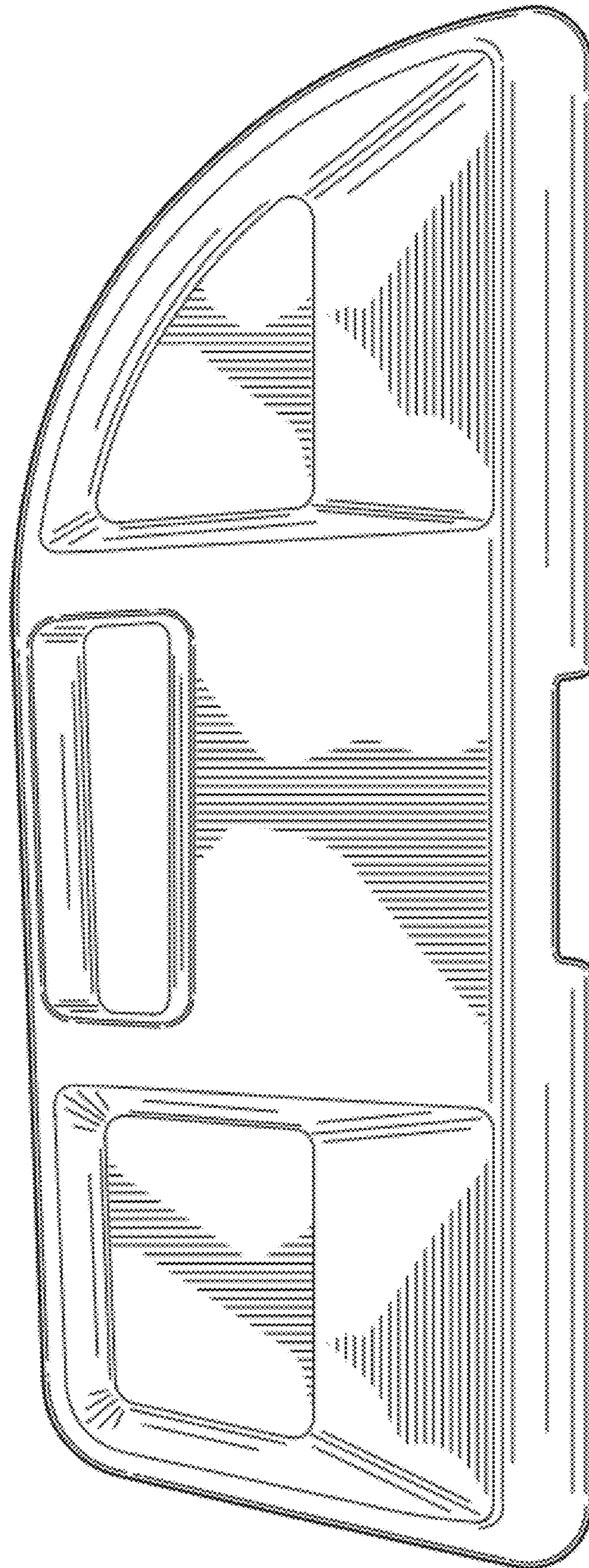


FIG. 9

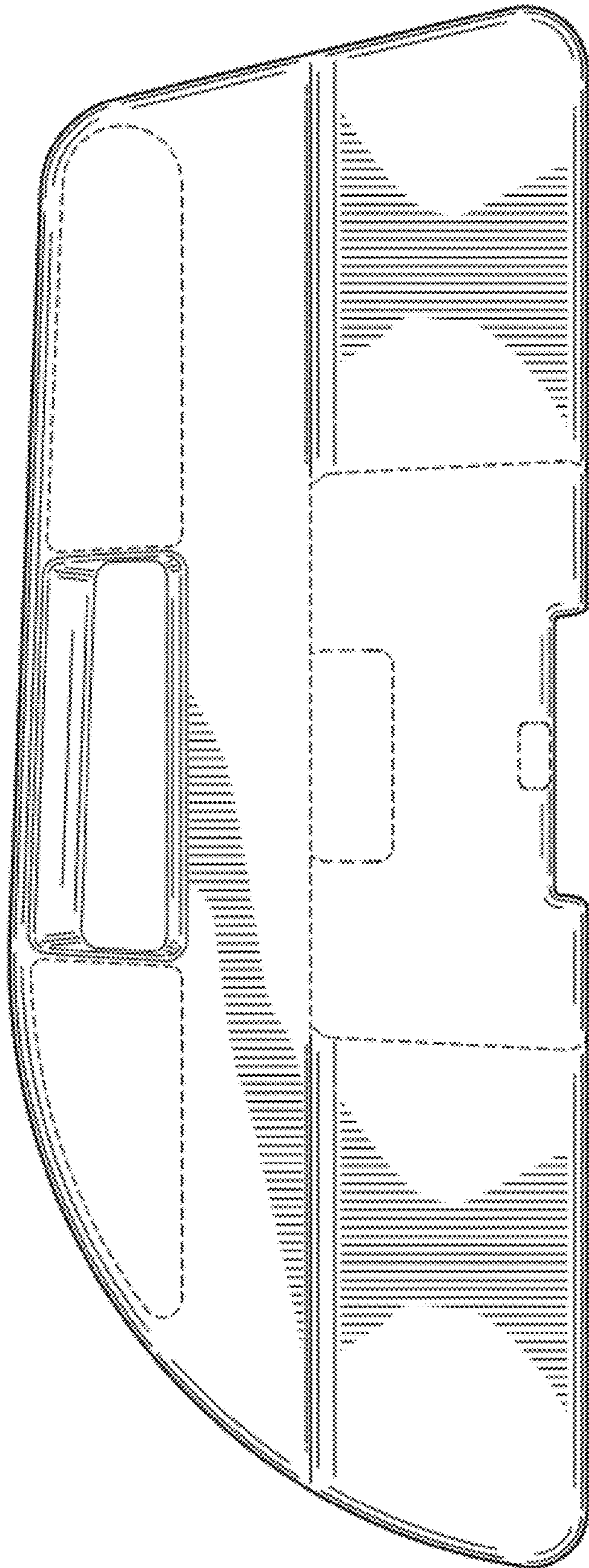


FIG. 10

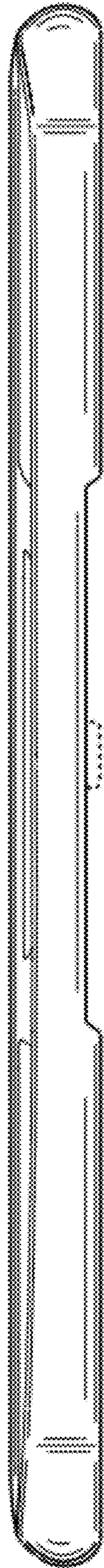
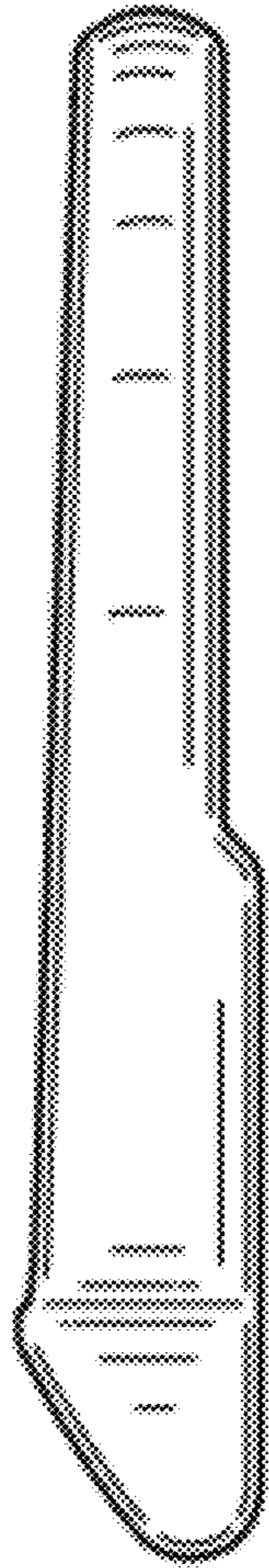


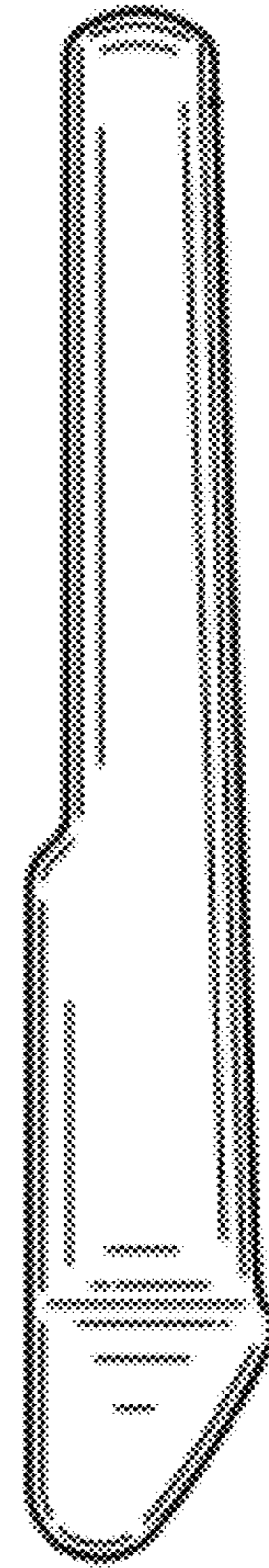
FIG. 11



FIG. 12



**FIG. 13**



**FIG. 14**