



US00D656761S

(12) **United States Design Patent**  
**Igarashi et al.**

(10) **Patent No.:** **US D656,761 S**  
(45) **Date of Patent:** **\*\* Apr. 3, 2012**

(54) **CHAIR**  
(75) Inventors: **Ryou Igarashi**, Yokohama (JP);  
**Syouichi Izawa**, Yokohama (JP)  
(73) Assignee: **Okamura Corporation**, Kanagawa (JP)  
(\*\*) Term: **14 Years**  
(21) Appl. No.: **29/379,205**

D544,235 S *	6/2007	Chen .....	D6/379
D549,480 S *	8/2007	Rech .....	D6/375
D566,413 S *	4/2008	Huang .....	D6/379
D571,118 S *	6/2008	Camp et al. ....	D6/376
D591,526 S *	5/2009	Breen .....	D6/379
D591,527 S *	5/2009	Breen .....	D6/379
D594,242 S *	6/2009	Sweeney .....	D6/376
D622,073 S *	8/2010	Igarashi .....	D6/372
D622,974 S *	9/2010	Igarashi .....	D6/379
D645,682 S *	9/2011	Nakamura et al. ....	D6/502

\* cited by examiner

(22) Filed: **Nov. 16, 2010**  
(30) **Foreign Application Priority Data**

May 17, 2010 (JP) ..... 2010-012097

(51) **LOC (9) Cl.** ..... **06-01**  
(52) **U.S. Cl.** ..... **D6/502; D6/376**  
(58) **Field of Classification Search** ..... D6/334-336,  
D6/360-369, 372-380, 498, 500-502, 601;  
297/284.4-284.5, 291, 297, 411.2, 411.27-411.29,  
297/452.13, 452.19, 452.21, 452.29, 452.3,  
297/452.56, 452.64  
See application file for complete search history.

(56) **References Cited**

**U.S. PATENT DOCUMENTS**

D238,989 S *	3/1976	Grosfilex .....	D6/376
D472,066 S *	3/2003	Ciabatti .....	D6/376
D533,371 S *	12/2006	Ciabatti .....	D6/376

*Primary Examiner* — Ricky Pham  
(74) *Attorney, Agent, or Firm* — Sughrue Mion, PLLC

(57) **CLAIM**  
The ornamental design for a chair, as shown and described.

**DESCRIPTION**

FIG. 1 is a perspective view from the front side of a chair.  
FIG. 2 is a perspective view from the rear side thereof.  
FIG. 3 is a front elevation view thereof.  
FIG. 4 is a rear elevation view thereof.  
FIG. 5 is a right side elevation view thereof. A left side elevation view is omitted because it is symmetrical to the right side elevation view.  
FIG. 6 is a top plan view thereof; and,  
FIG. 7 is a bottom plan view thereof.  
The portions of the chair shown in broken lines are for the purpose of showing environmental structure only and form no part of the claimed design.

**1 Claim, 7 Drawing Sheets**

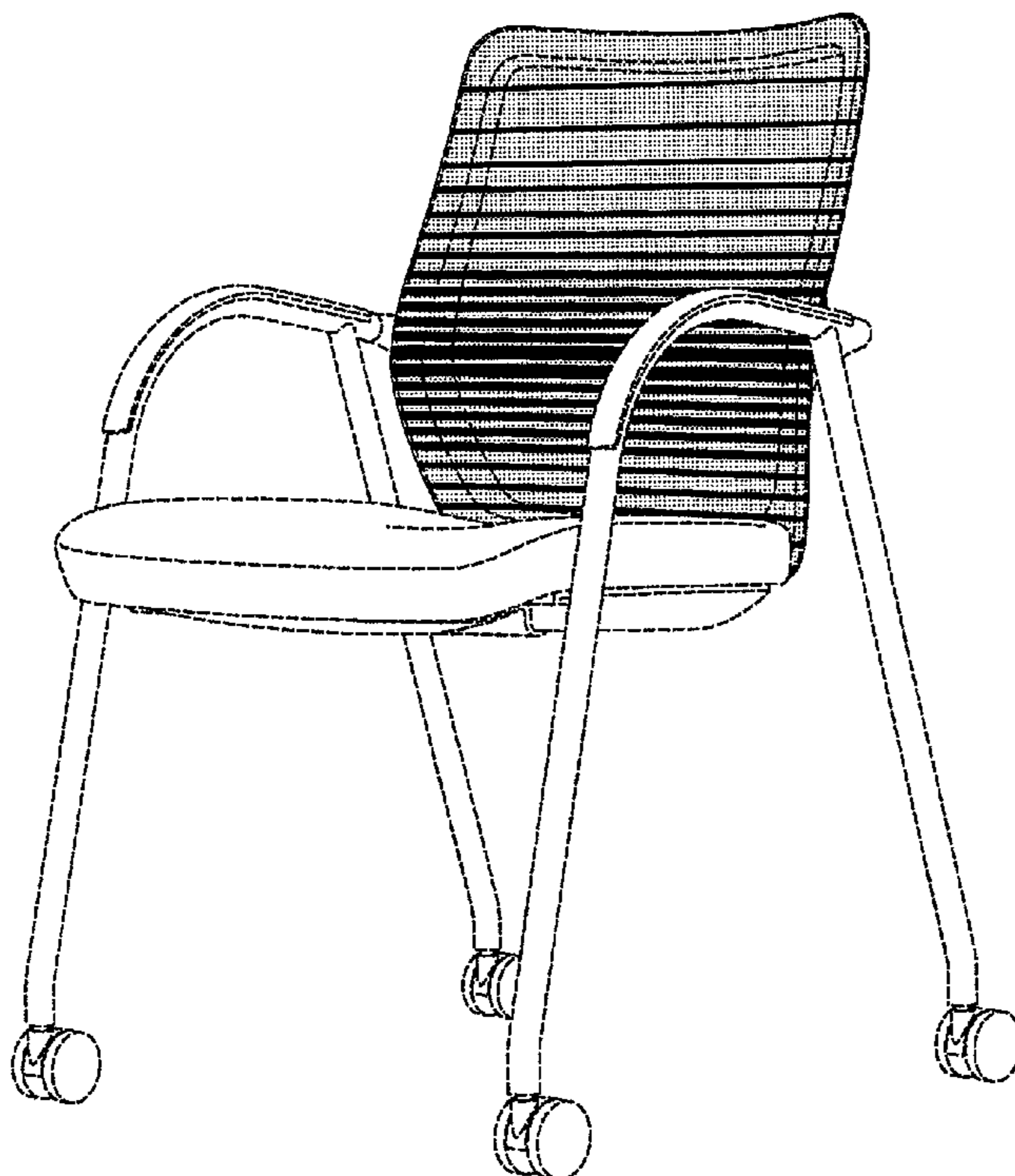


FIG. 1

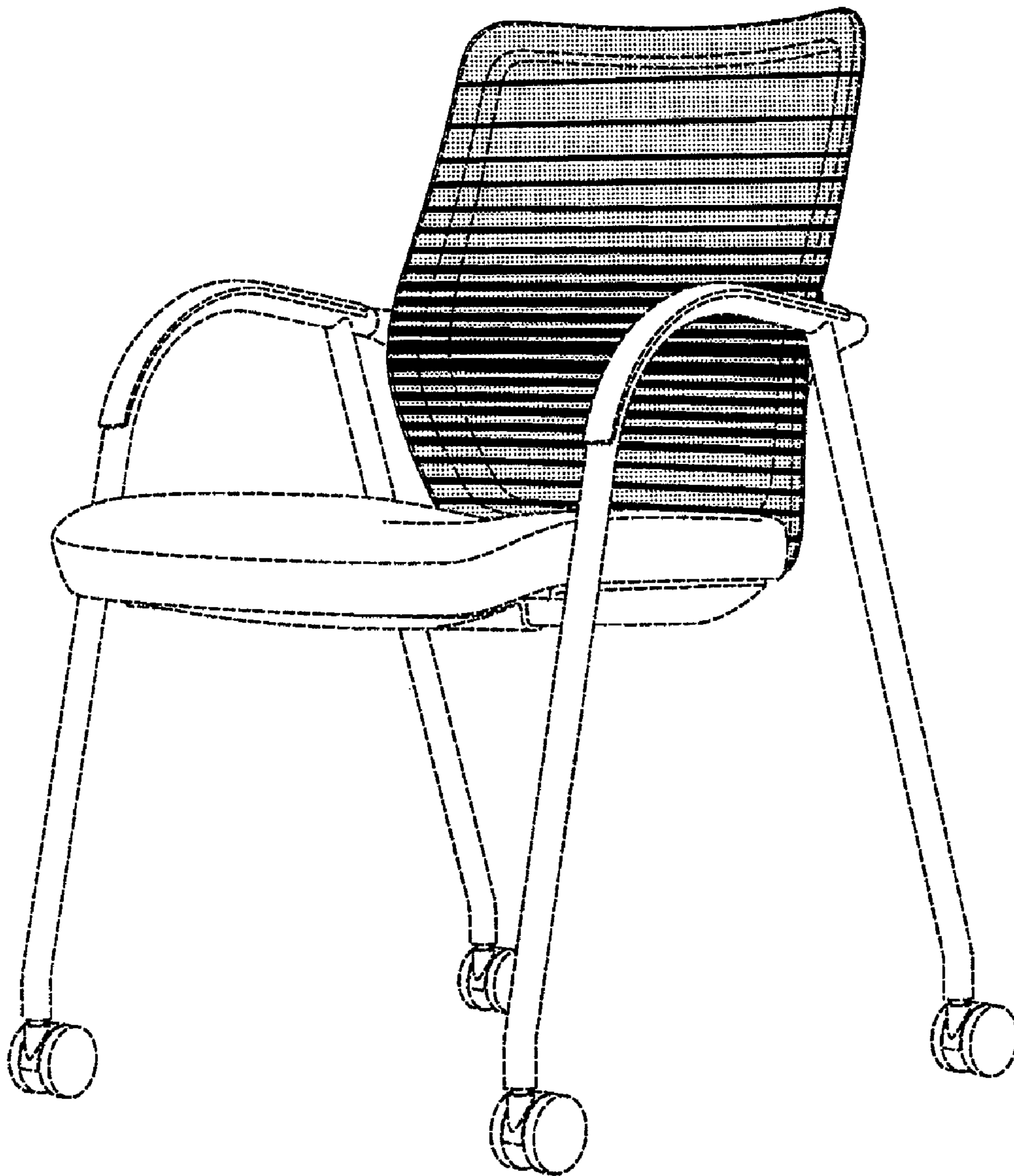


FIG. 2

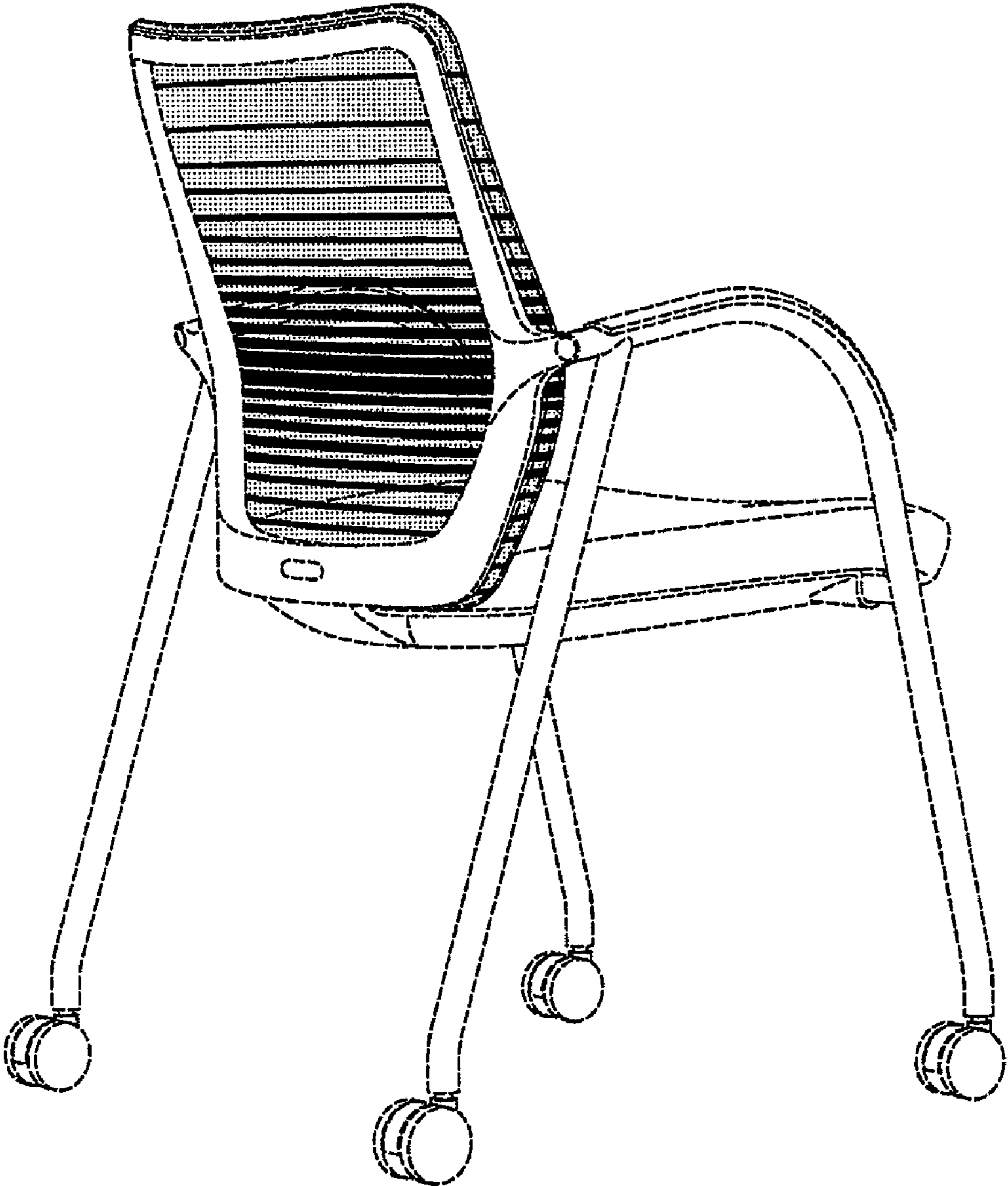


FIG. 3

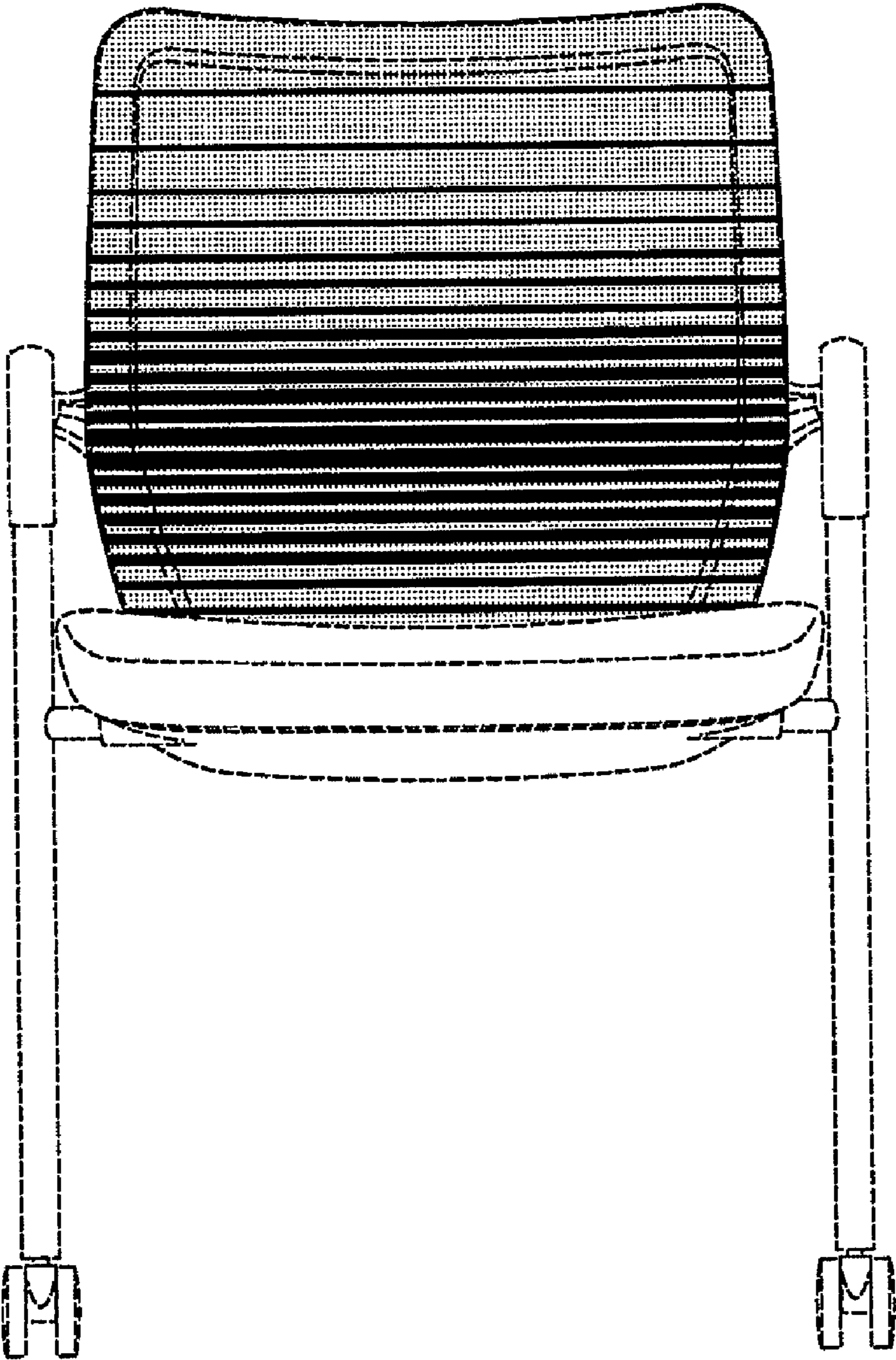


FIG. 4

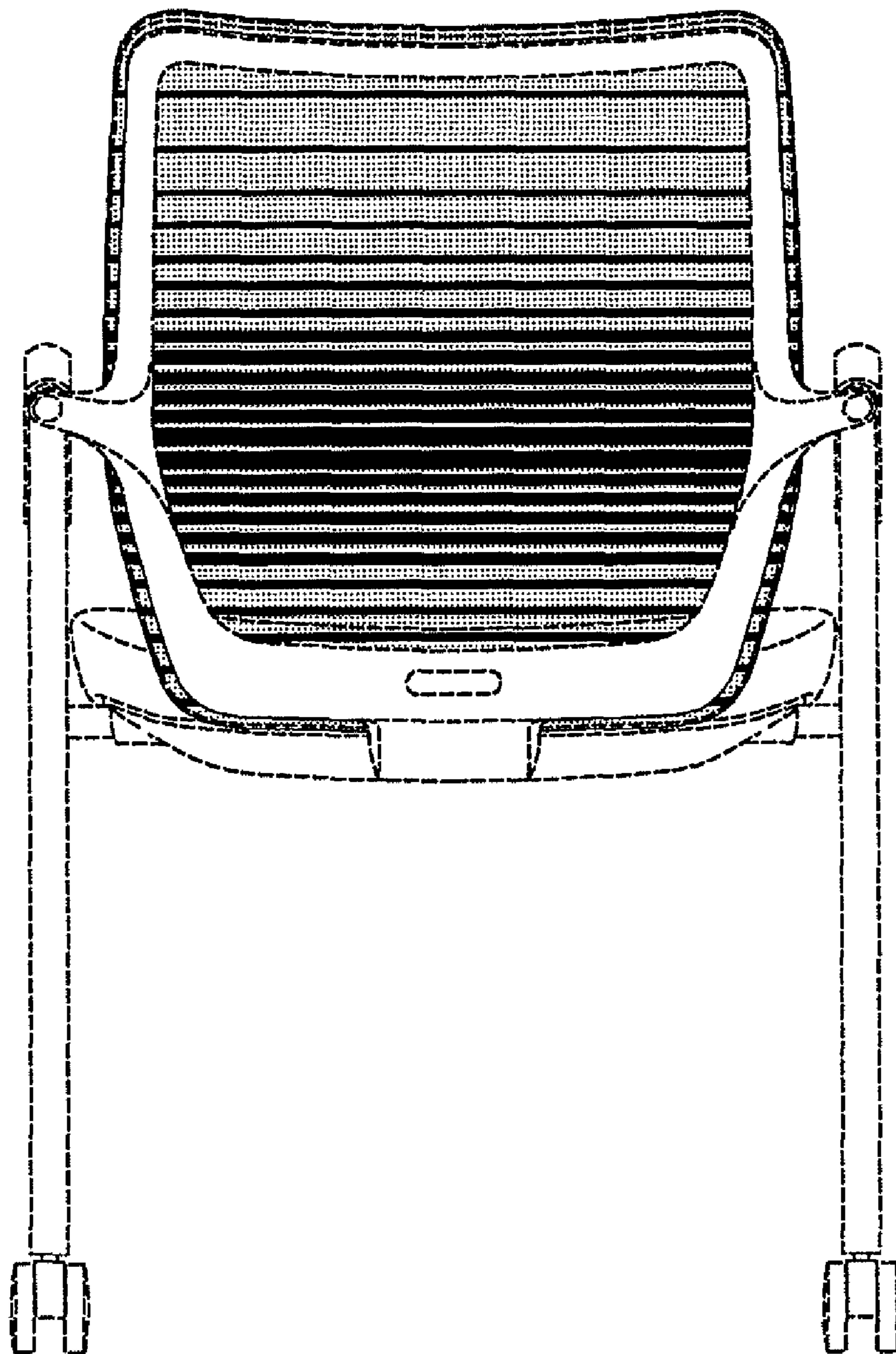


FIG. 5

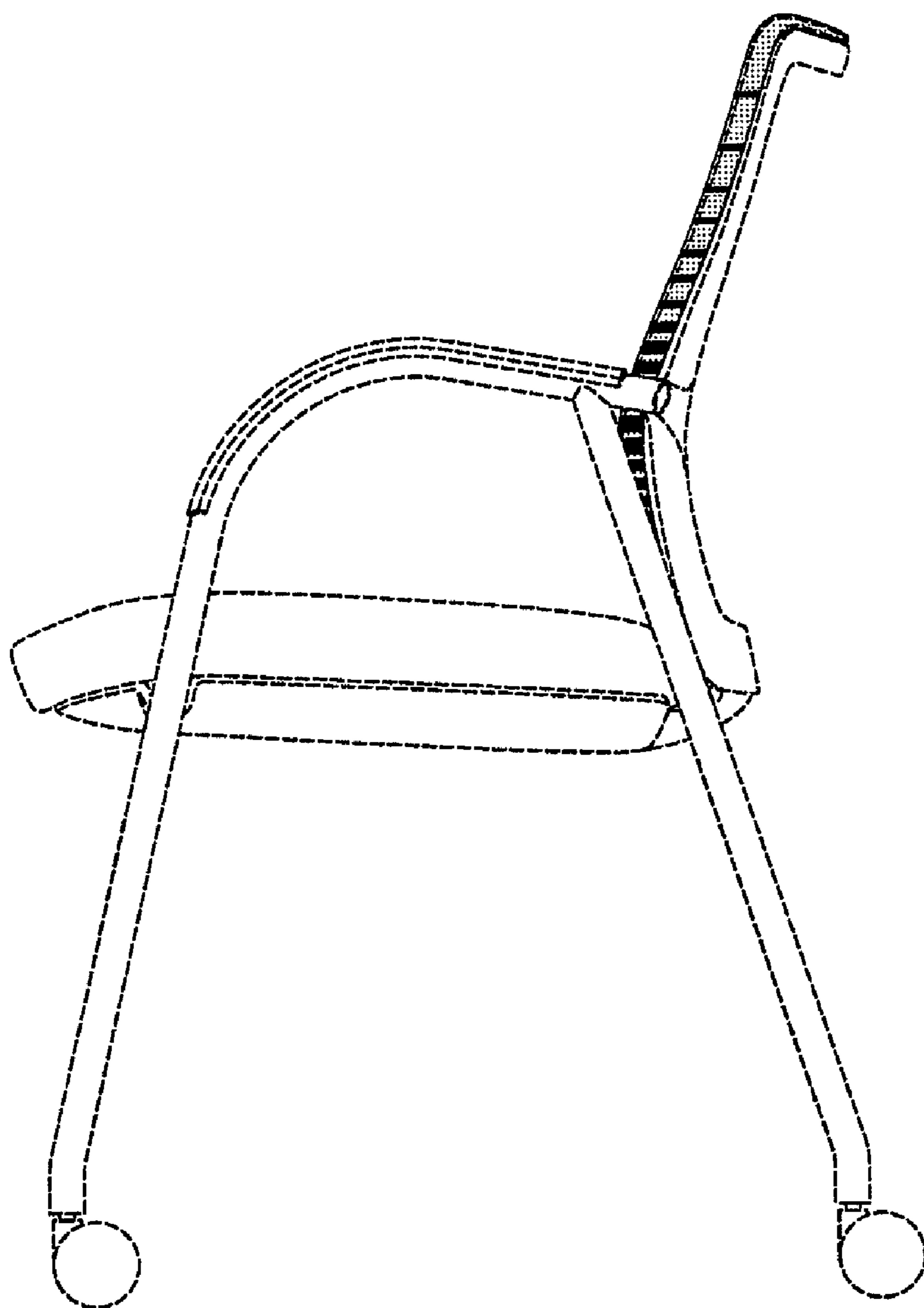


FIG. 6

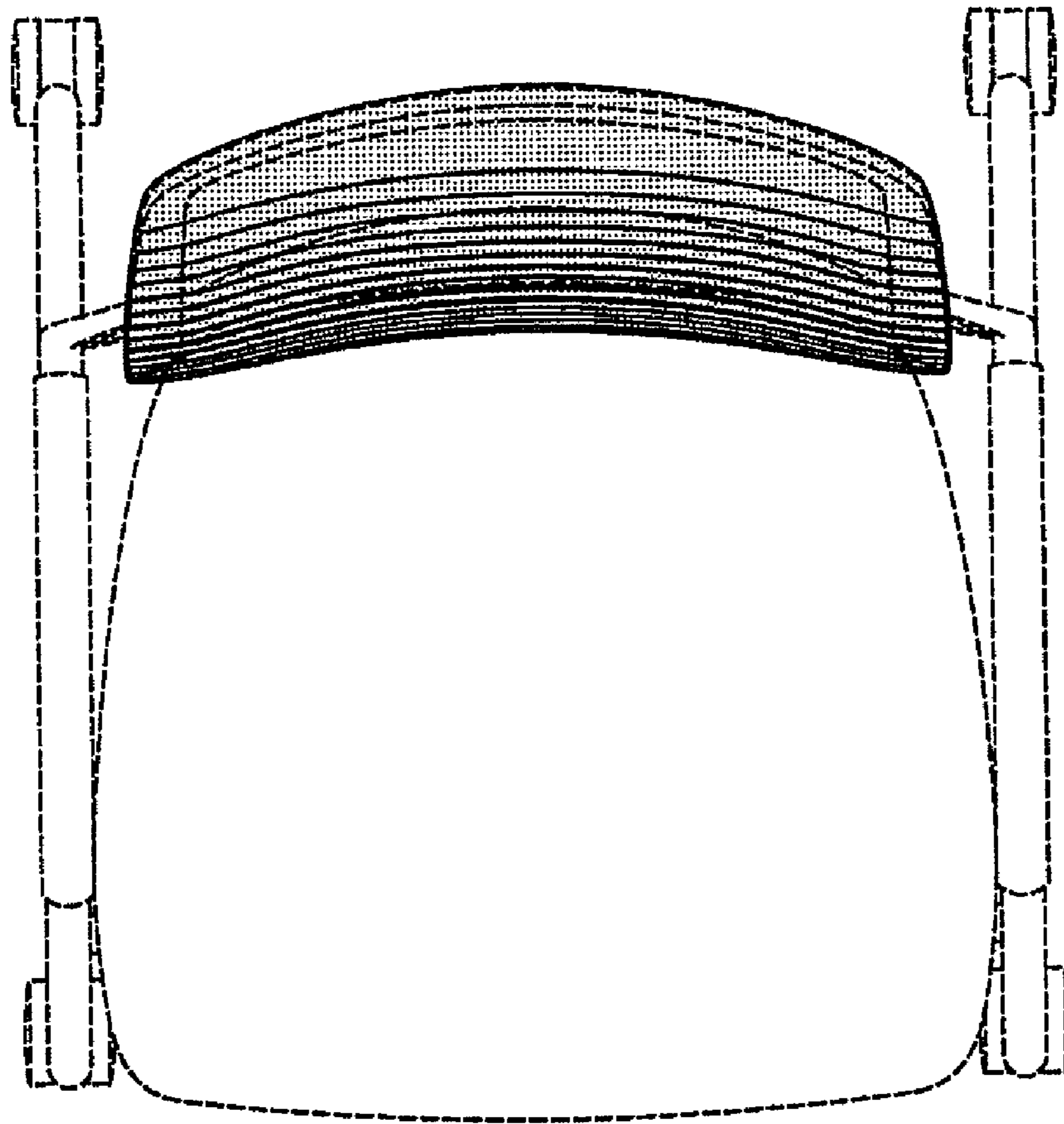


FIG. 7

