



US00D656760S

(12) **United States Design Patent**
Fox

(10) **Patent No.:** **US D656,760 S**
(45) **Date of Patent:** **** Apr. 3, 2012**

(54) **MULTI-ADJUSTABLE WORK TABLE**
(75) Inventor: **Robert Fox**, Travelers Rest, SC (US)
(73) Assignee: **Sunex International, Inc.**, Travelers Rest, SC (US)

D501,336 S * 2/2005 Lin D6/429
7,571,915 B1 8/2009 Simmons
7,584,973 B2 9/2009 Brager
7,686,310 B2 3/2010 Perkins
D638,637 S 5/2011 Foley
2009/0266274 A1* 10/2009 Berlin et al. 108/6

(**) Term: **14 Years**

(21) Appl. No.: **29/388,054**

(22) Filed: **Mar. 23, 2011**

(51) **LOC (9) Cl.** **06-06**

(52) **U.S. Cl.** **D6/499; D6/429; D6/406.1**

(58) **Field of Classification Search** D6/480-489,
D6/495-499, 429, 426, 406.1, 406.2; 108/150,
108/50.01, 50.02, 155, 153.1, 156, 157.13,
108/161, 157.14, 6, 144.11, 147.19, 49; 248/188,
248/188.1, 174; D34/17

See application file for complete search history.

(56) **References Cited**

U.S. PATENT DOCUMENTS

4,077,333 A * 3/1978 Ballas 108/6
4,488,497 A 12/1984 Bevans
4,715,573 A 12/1987 Liegel
5,058,911 A 10/1991 Hunter et al.
5,080,381 A 1/1992 Perez
D336,708 S 6/1993 Boughey
D406,434 S 3/1999 Boettcher, Jr. et al.
6,240,856 B1 6/2001 Paskey et al.

OTHER PUBLICATIONS

Worktable Market Study—Mar. 2011.
Blue Point Underhood Tray Images—Apr. 2009.

* cited by examiner

Primary Examiner — Janice Seeger

(74) *Attorney, Agent, or Firm* — Dority & Manning, P.A.

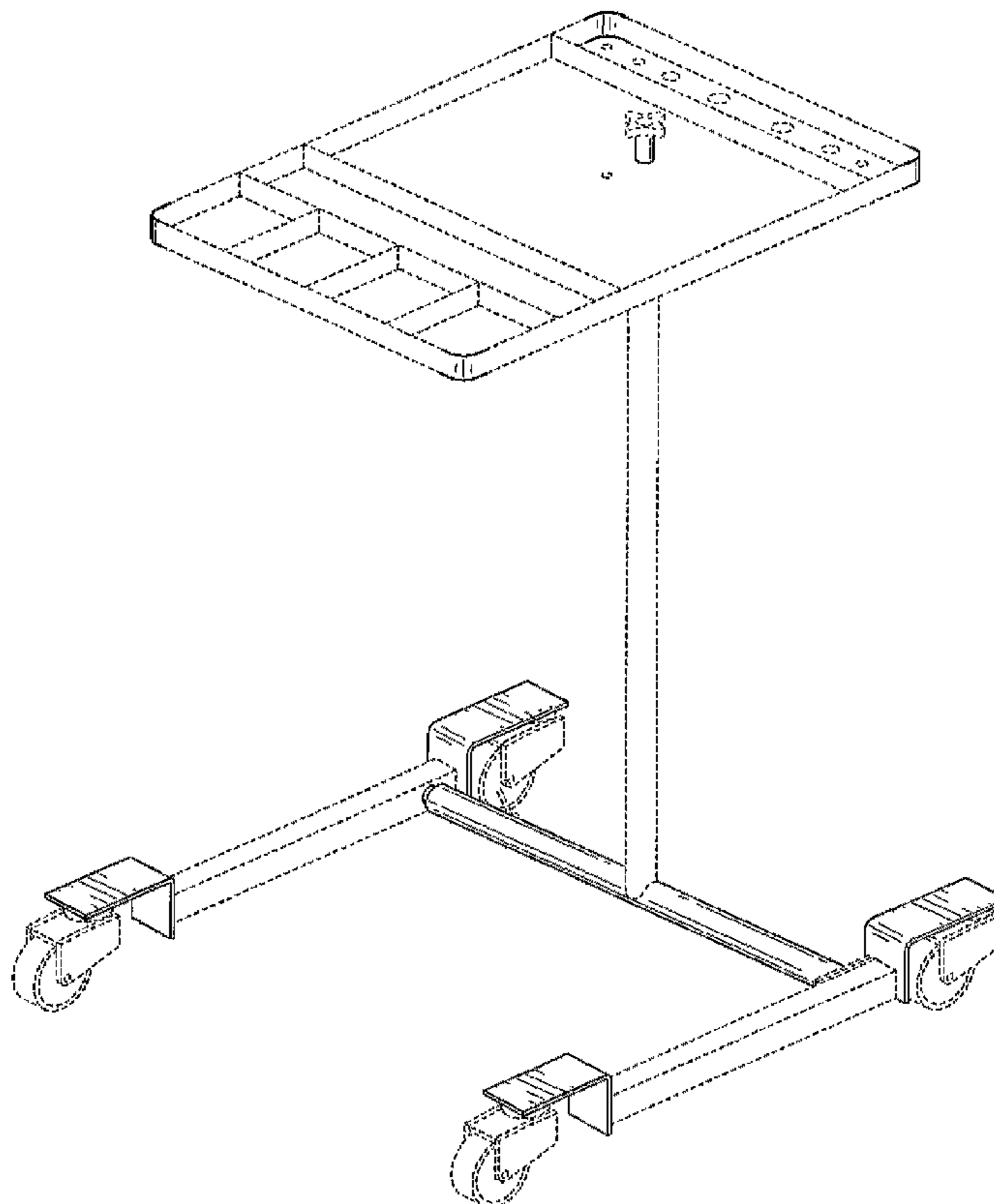
(57) **CLAIM**

The ornamental design for a multi-adjustable work table, as shown and described.

DESCRIPTION

FIG. 1 is an elevated perspective view;
FIG. 2 is right side plan view, the left side being a mirror image;
FIG. 3 is a bottom plan view;
FIG. 4 is a top plan view;
FIG. 5 is a front plan view; and,
FIG. 6 is a back plan view.
The broken lines are for environmental purposes only and form no part of the claimed design.

1 Claim, 6 Drawing Sheets



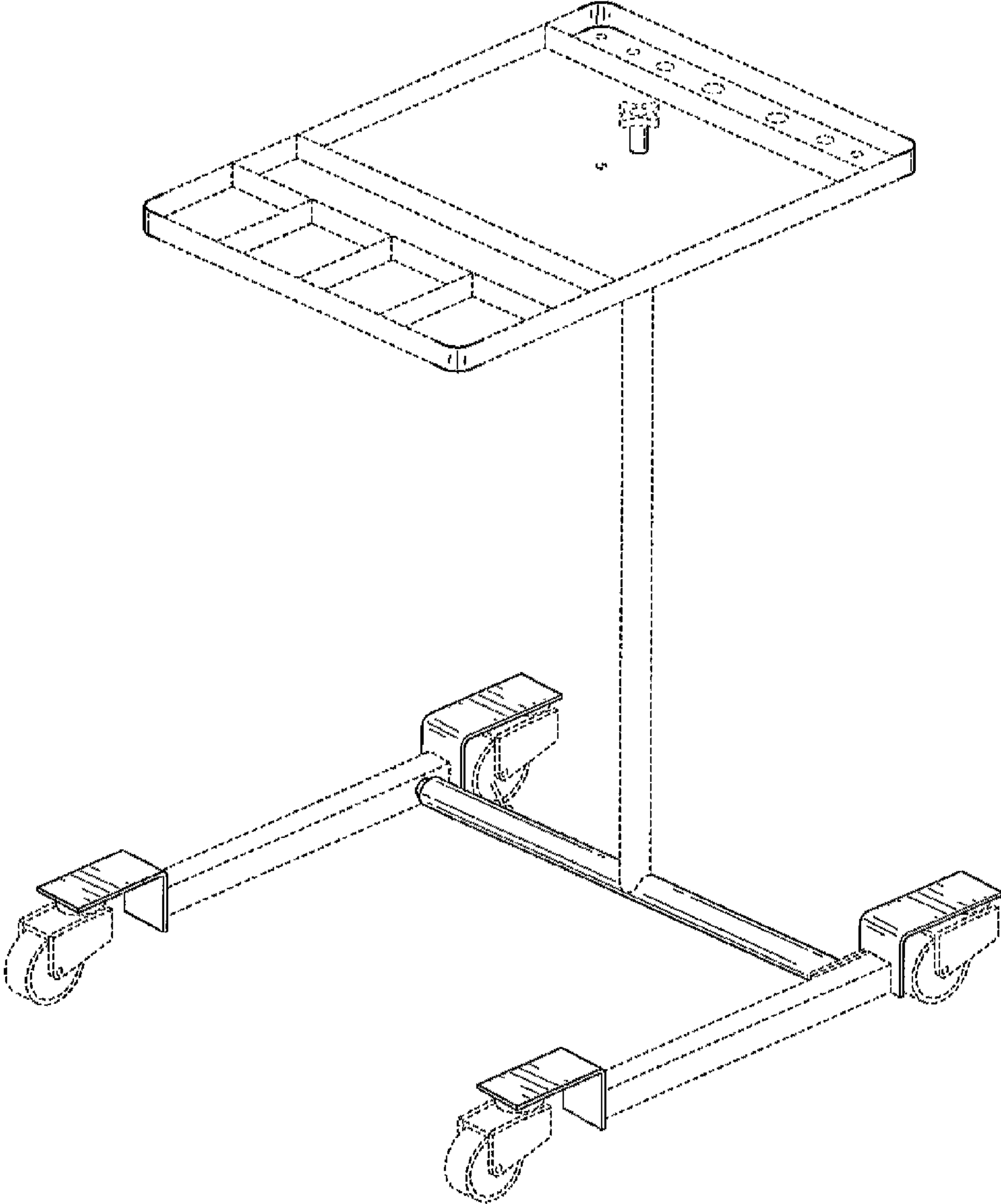


FIG. 1

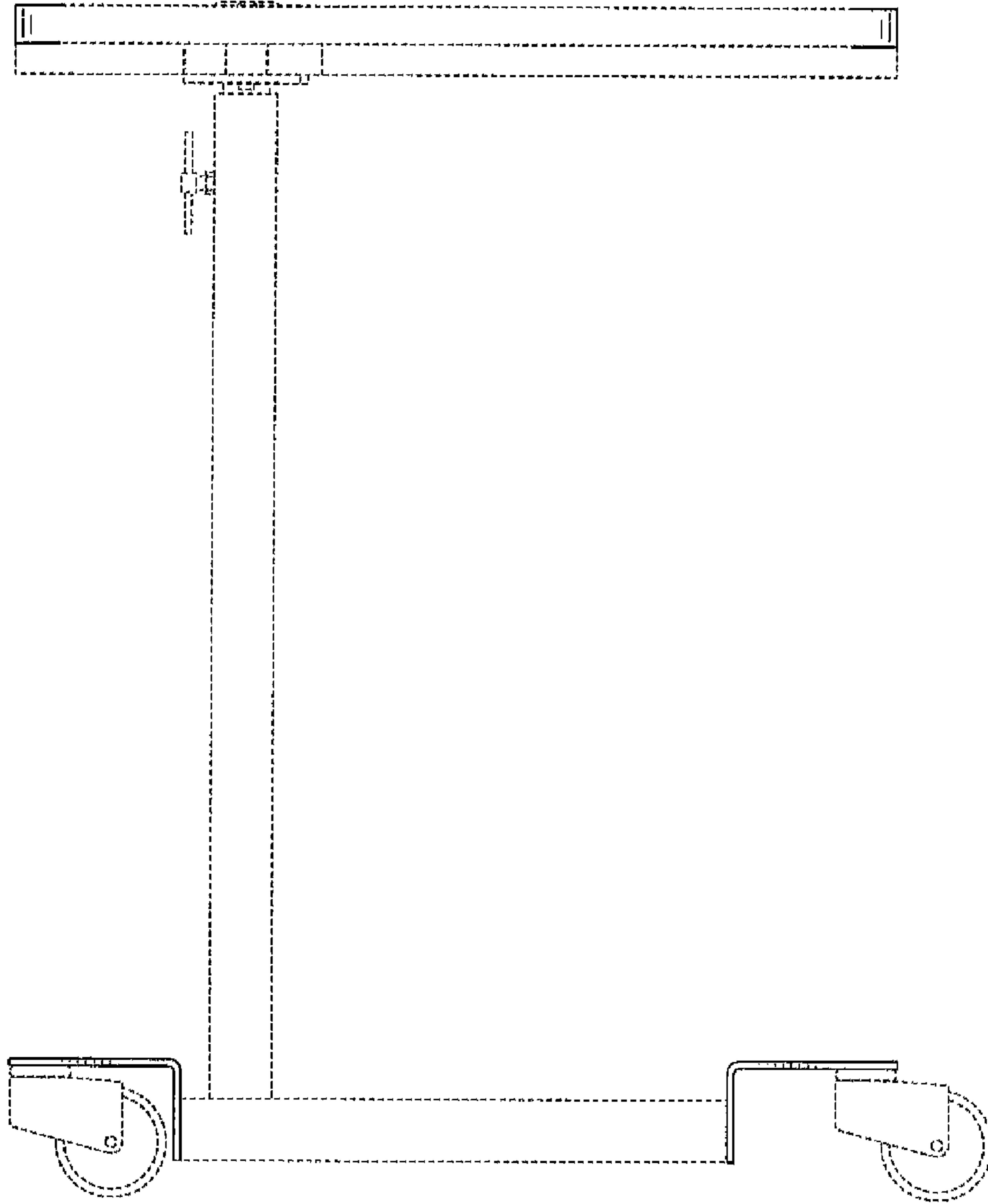


FIG. 2

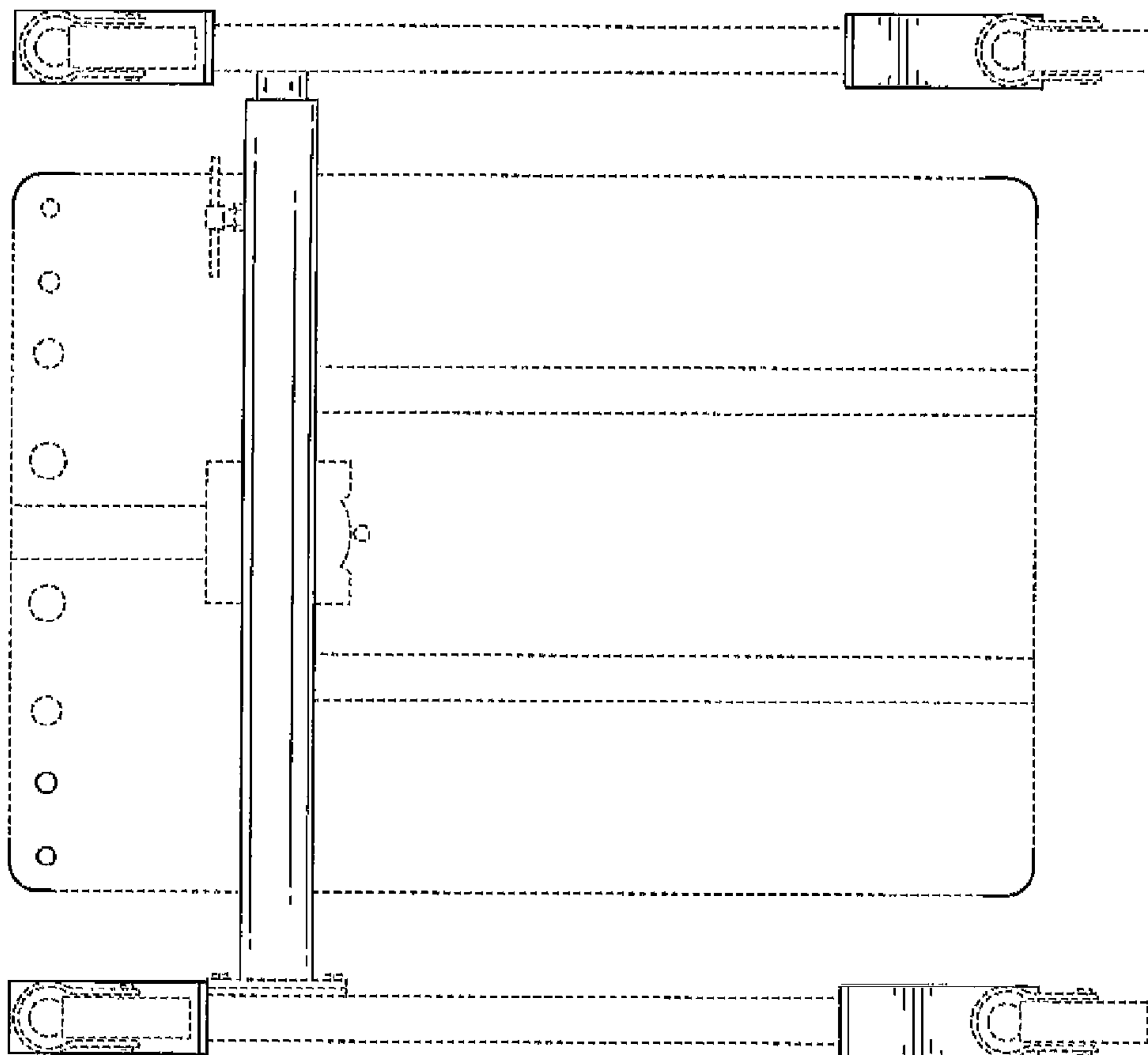


FIG. 3

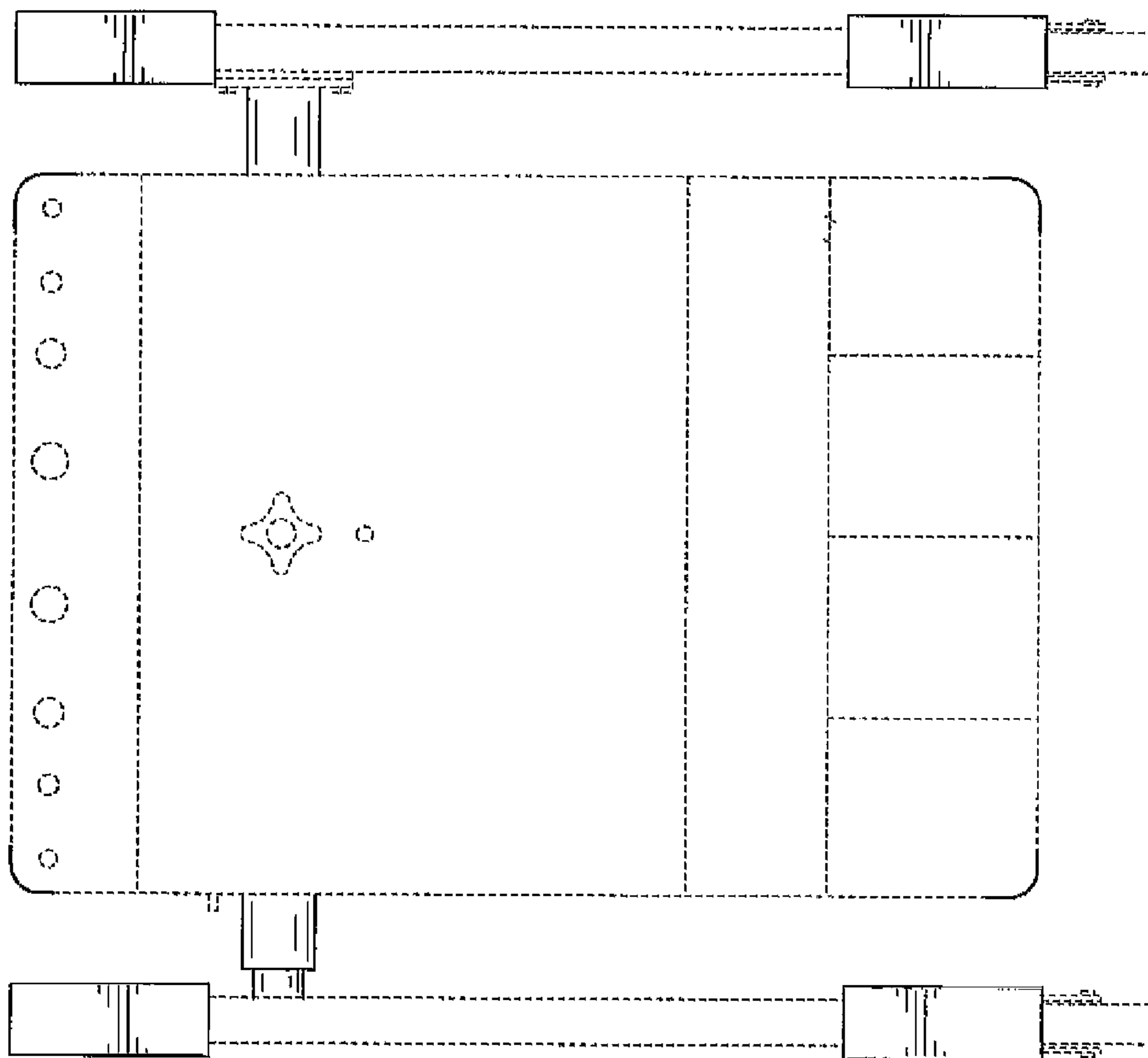


FIG. 4

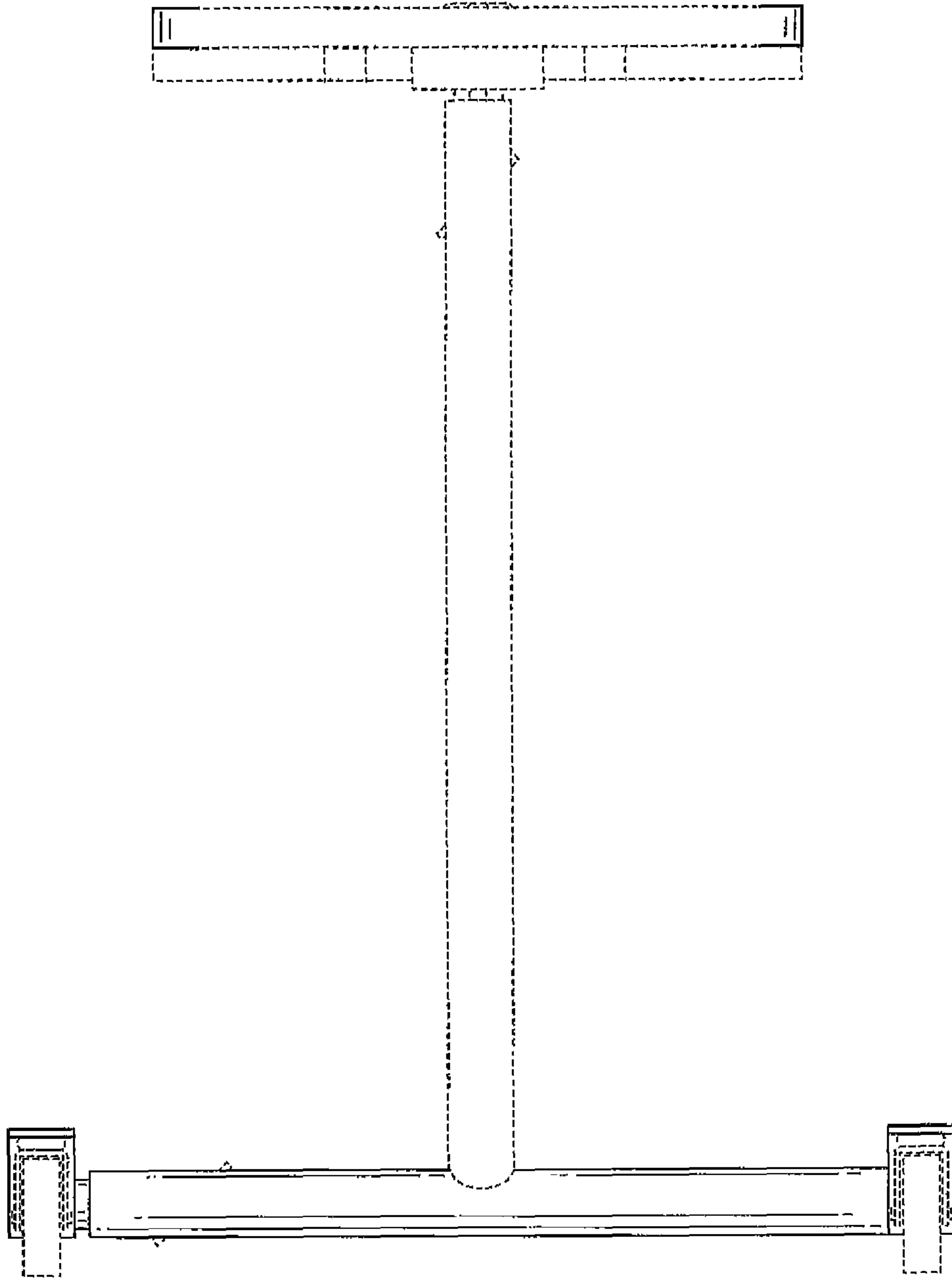


FIG. 5

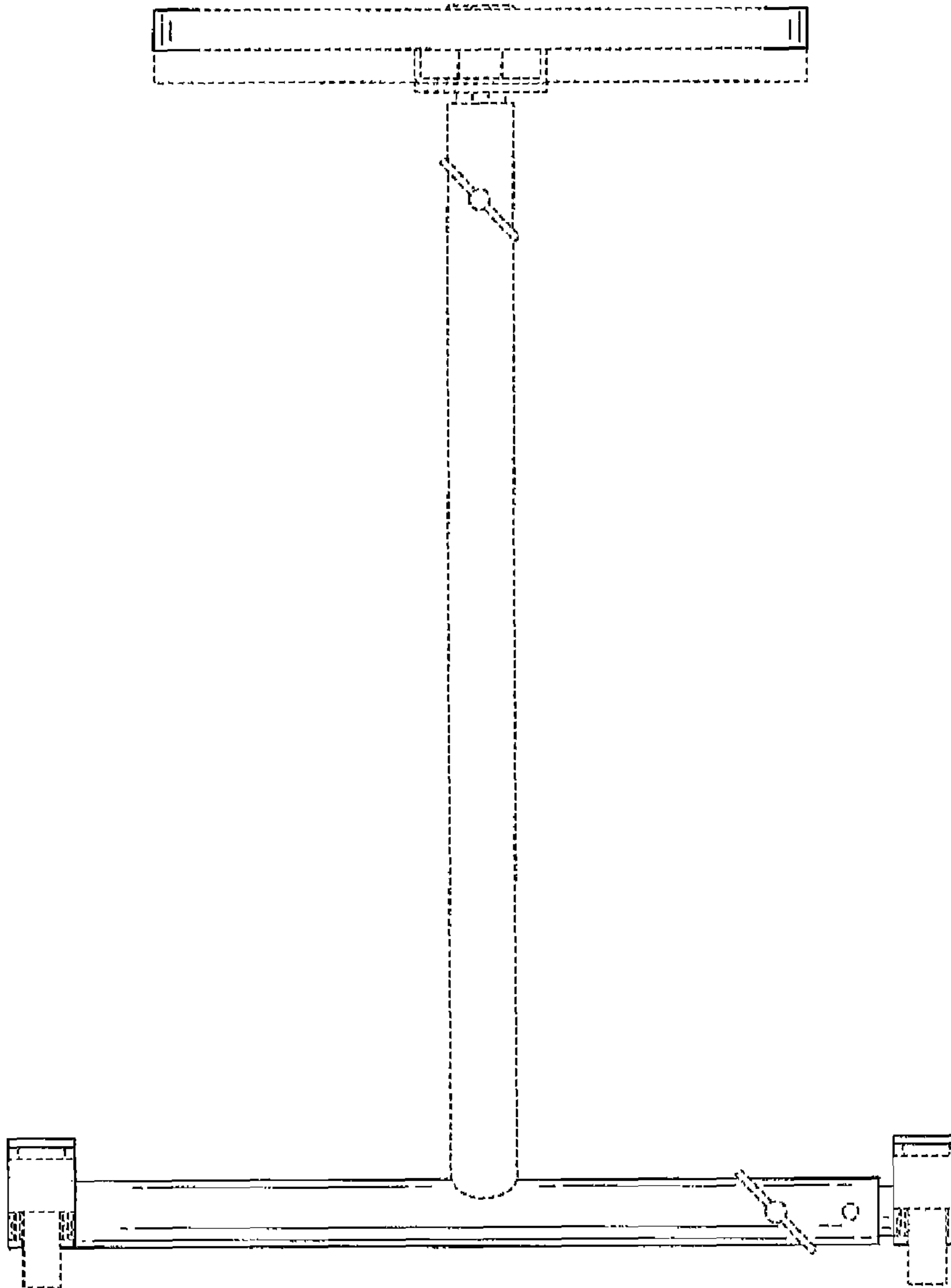


FIG. 6