



US00D656758S

(12) **United States Design Patent**
Snider

(10) **Patent No.:** **US D656,758 S**

(45) **Date of Patent:** **** Apr. 3, 2012**

(54) **TWO TIER REVOLVING CABINET ORGANIZER**

(75) Inventor: **Martin Snider**, New City, NY (US)

(73) Assignee: **MSA Products, Inc.**, Nyack, NY (US)

(**) Term: **14 Years**

(21) Appl. No.: **29/389,150**

(22) Filed: **Apr. 7, 2011**

(51) **LOC (9) Cl.** **06-04**

(52) **U.S. Cl.** **D6/458**

(58) **Field of Classification Search** D6/396,
D6/408, 409, 449, 450, 454-469, 478; 211/1,
211/10, 13.1, 27, 44, 50-53, 59.2, 59.3, 70,
211/70.1, 163, 181.1, 207; D7/501, 553.6,
D7/600.1-600.4; 108/94, 96

See application file for complete search history.

(56) **References Cited**

U.S. PATENT DOCUMENTS

D23,735 S *	10/1894	Driggs	D6/450
D35,012 S *	8/1901	Childers	D6/458
1,564,994 A *	12/1925	Zadek	211/207
2,157,400 A *	5/1939	Cooper	108/96
D149,046 S *	3/1948	Blumenthal et al.	D7/501
D191,812 S *	11/1961	Tirlet	D6/458
D213,599 S *	3/1969	Siebel	D6/455

D234,475 S *	3/1975	Markus	D6/450
3,951,079 A *	4/1976	Tolleson	108/94
D270,974 S *	10/1983	Persch	D6/478
D401,810 S *	12/1998	Swift	D7/553.6
D407,920 S *	4/1999	Duffield	D6/461
D480,581 S *	10/2003	Searer	D6/455
D496,831 S *	10/2004	Strahota et al.	D7/600.3
D561,539 S *	2/2008	Snider et al.	D7/600.2

* cited by examiner

Primary Examiner — Mary Ann Calabrese

(74) *Attorney, Agent, or Firm* — Gerald E. Hespos; Michael J. Porco

(57) **CLAIM**

The ornamental design of a two tier revolving cabinet organizer, as shown and described.

DESCRIPTION

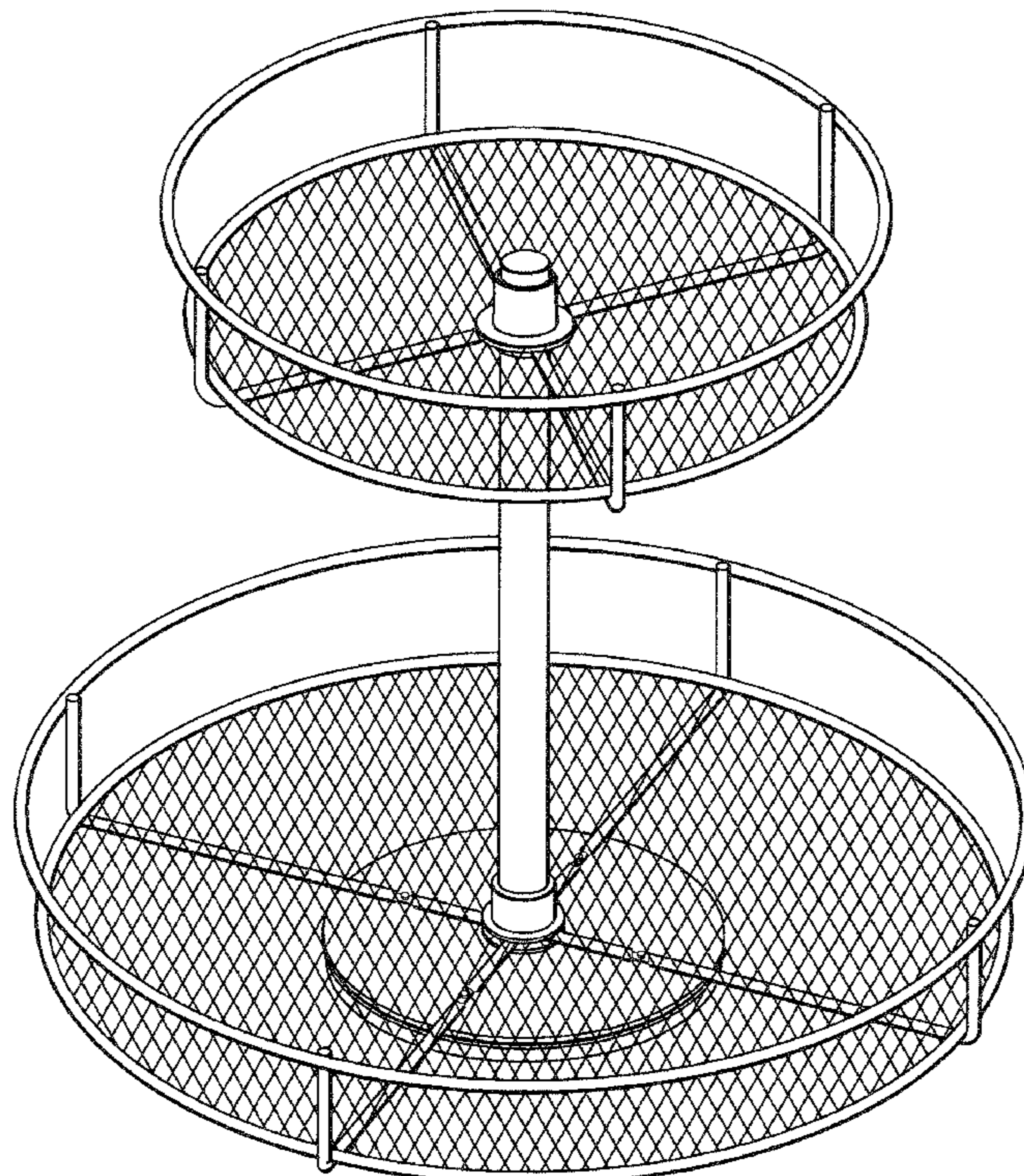
FIG. 1 is a perspective view of a two tier revolving cabinet organizer in accordance with my design.

FIG. 2 is a top plan view thereof;

FIG. 3 is a front elevational view thereof; and,

FIG. 4 is a bottom plan view thereof. The broken lines shown in FIG. 4 are for illustrative purposes only and form no part of the claimed design.

1 Claim, 4 Drawing Sheets



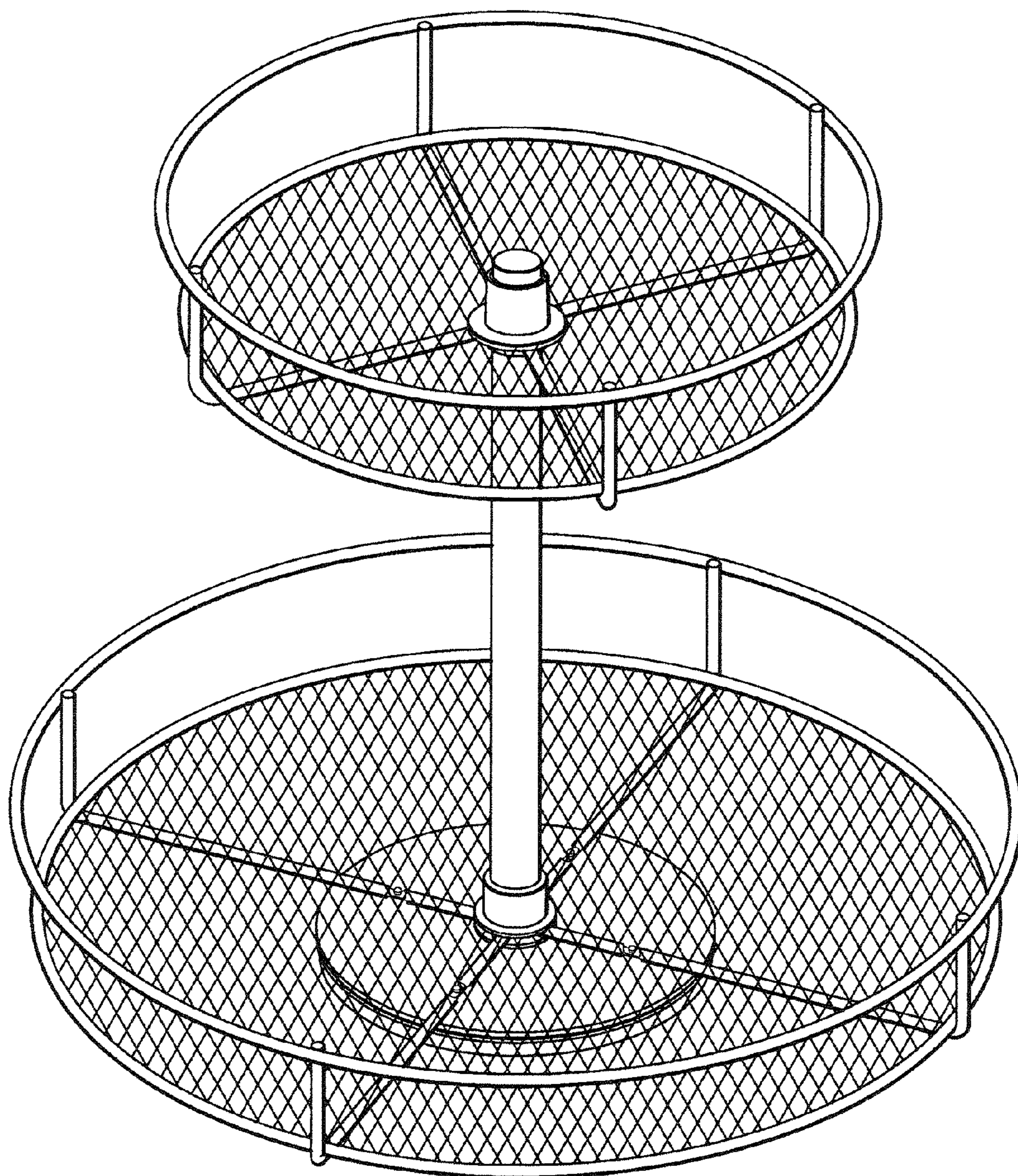


FIG. 1

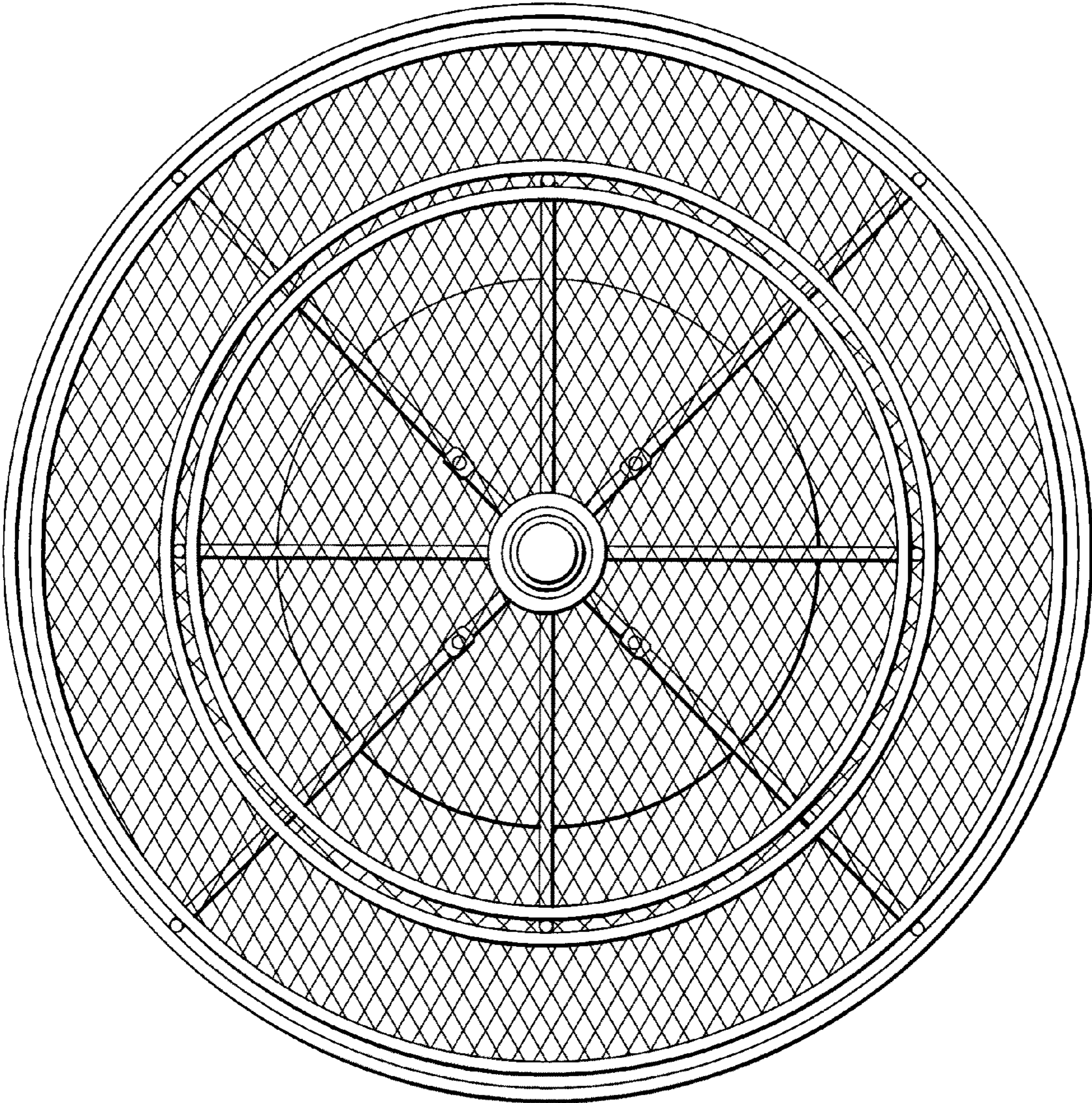


FIG.2

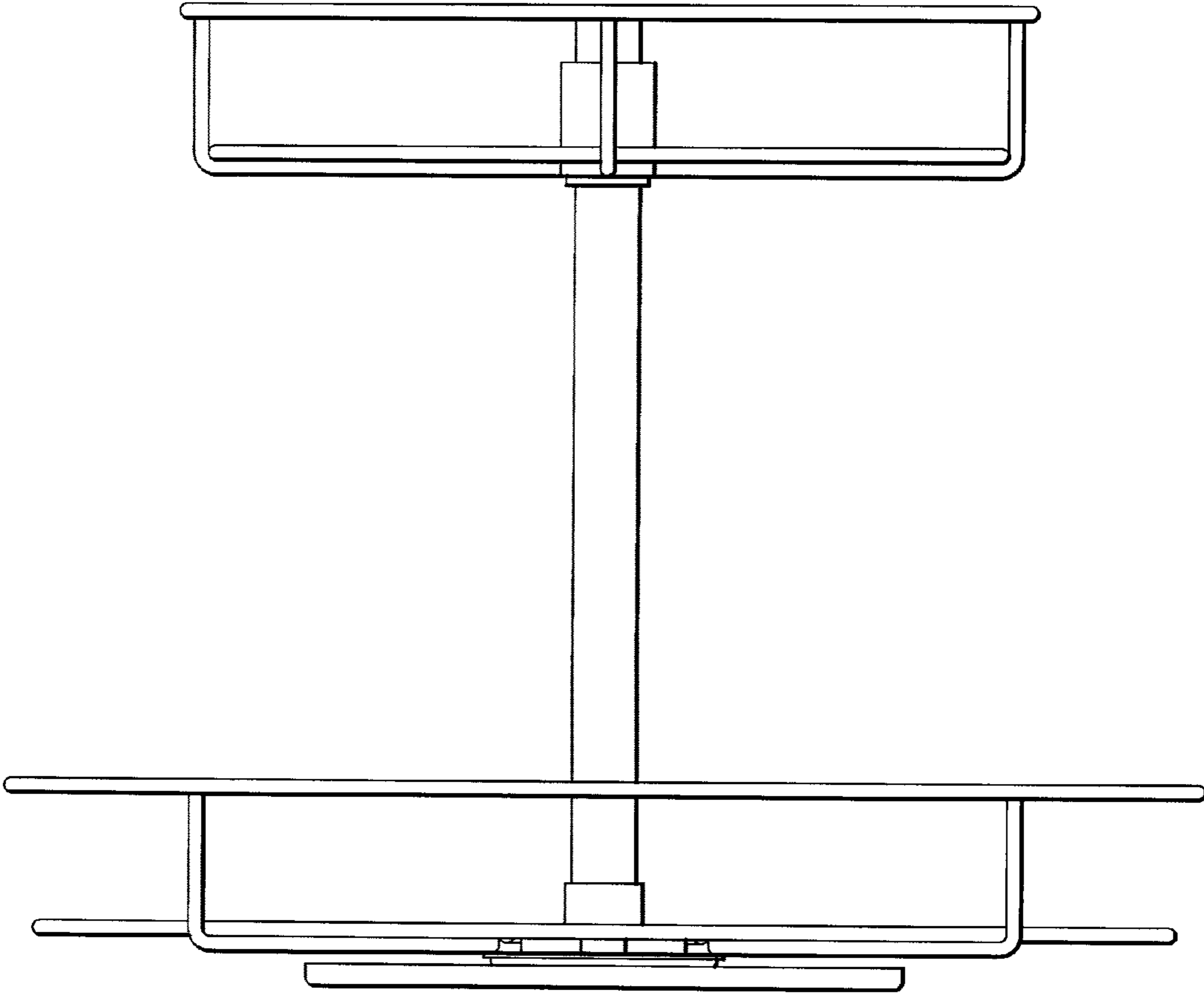


FIG.3

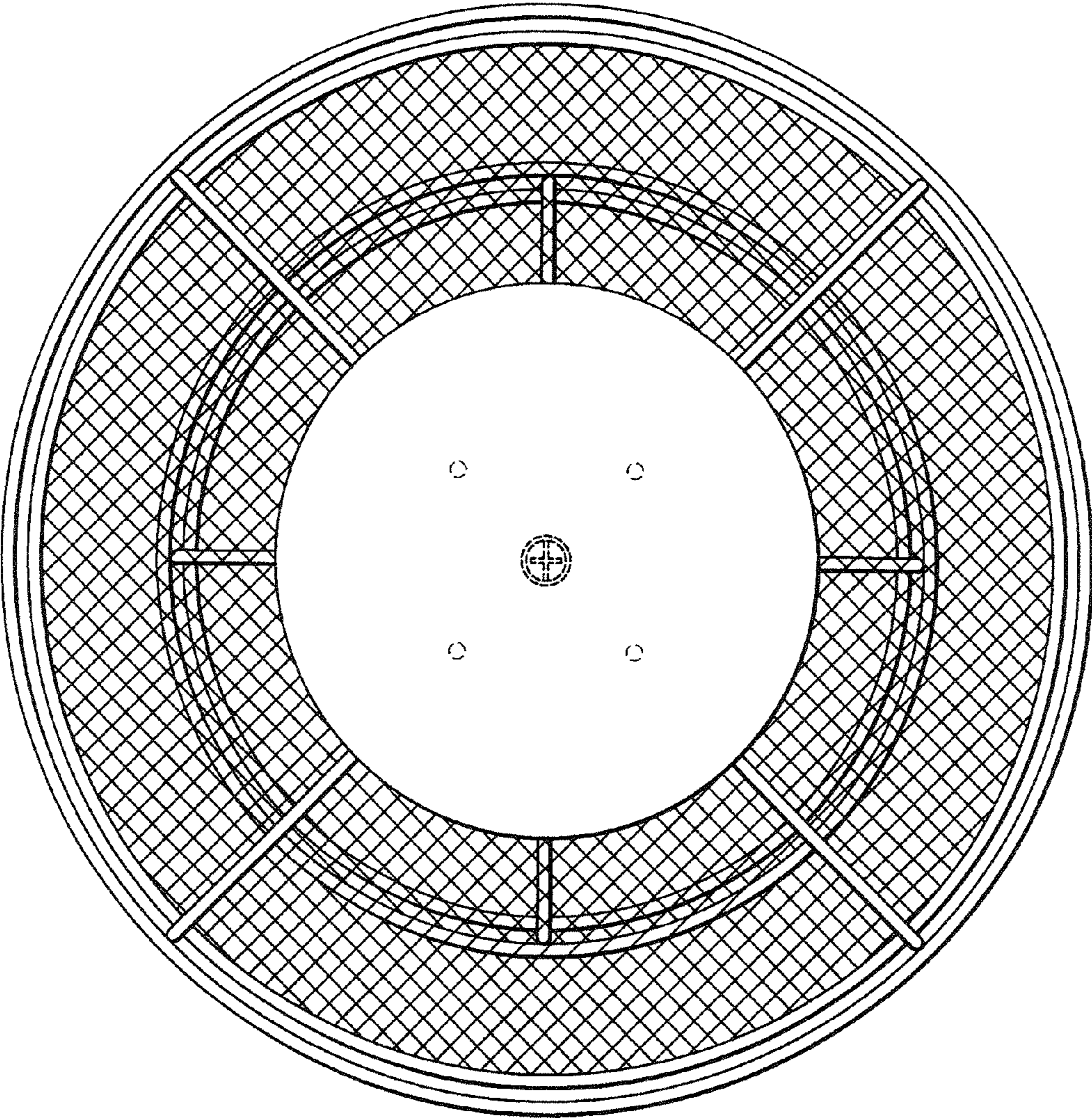


FIG.4