



US00D656756S

(12) **United States Design Patent**  
**Watson**

(10) **Patent No.:** **US D656,756 S**

(45) **Date of Patent:** **\*\* Apr. 3, 2012**

(54) **MOBILE KIOSK FOR THE SALE OF  
COMMERCIAL PRODUCTS**

(76) Inventor: **Robert T. Watson**, Smithtown, NY (US)

(\*\*) Term: **14 Years**

(21) Appl. No.: **29/356,180**

(22) Filed: **Feb. 21, 2010**

(51) **LOC (9) Cl.** ..... **06-04**

(52) **U.S. Cl.** ..... **D6/450**

(58) **Field of Classification Search** ..... D6/449,  
D6/509, 396, 475, 411, 479, 470, 477; 211/85.3,  
211/85.26, 59.2, 59.3; 312/351, 283, 257.1;  
D20/119; 248/174, 176.1; 180/7.1  
See application file for complete search history.

(56) **References Cited**

**U.S. PATENT DOCUMENTS**

|           |   |         |              |
|-----------|---|---------|--------------|
| 454,164   | A | 6/1891  | Calkins      |
| 618,634   | A | 1/1899  | Young et al. |
| 747,741   | A | 12/1903 | Marsh        |
| 1,406,021 | A | 2/1922  | Ihmels       |
| D150,491  | S | 8/1948  | Brown        |
| D178,629  | S | 9/1956  | Beach, Jr.   |
| 2,771,318 | A | 11/1956 | Jagsch       |
| 2,973,823 | A | 3/1961  | Stentz       |
| 3,388,943 | A | 6/1968  | Clement      |
| D212,568  | S | 10/1968 | Emery        |
| 3,445,150 | A | 5/1969  | Zartarian    |
| 3,829,126 | A | 8/1974  | Lohr et al.  |
| 3,877,744 | A | 4/1975  | Miller       |

(Continued)

*Primary Examiner* — Philip S Hyder

*Assistant Examiner* — Sydney Buffalow

(74) *Attorney, Agent, or Firm* — Carter, DeLuca, Farrell & Schmidt, LLP

(57) **CLAIM**

The ornamental design for the mobile kiosk for the sale of commercial products, as shown and described.

**DESCRIPTION**

FIG. 1 is a perspective view of the mobile kiosk for the sale of commercial products;

FIG. 2 is a left side plan view of the mobile kiosk for the sale of commercial products; The right side plan view is identical to the left side plan view and is omitted;

FIG. 3 is a front plan view of the mobile kiosk for the sale of commercial products;

FIG. 4 is a top plan view of the mobile kiosk for the sale of commercial products;

FIG. 5 is a rear plan view of the mobile kiosk for the sale of commercial products;

FIG. 6 is a top plan view of the mobile kiosk for the sale of commercial products;

FIG. 7 is a perspective view of the mobile kiosk illustrating a secured door in broken lines securing the mobile kiosk;

FIG. 8 is perspective view of the mobile kiosk illustrating an advertising placard in broken lines;

FIG. 9 is a left side plan view of the mobile kiosk of FIG. 8; The right side plan view is identical to the left side plan view and is omitted;

FIG. 10 is a front plan view of the mobile kiosk of FIG. 8;

FIG. 11 is a top plan view of the mobile kiosk of FIG. 8;

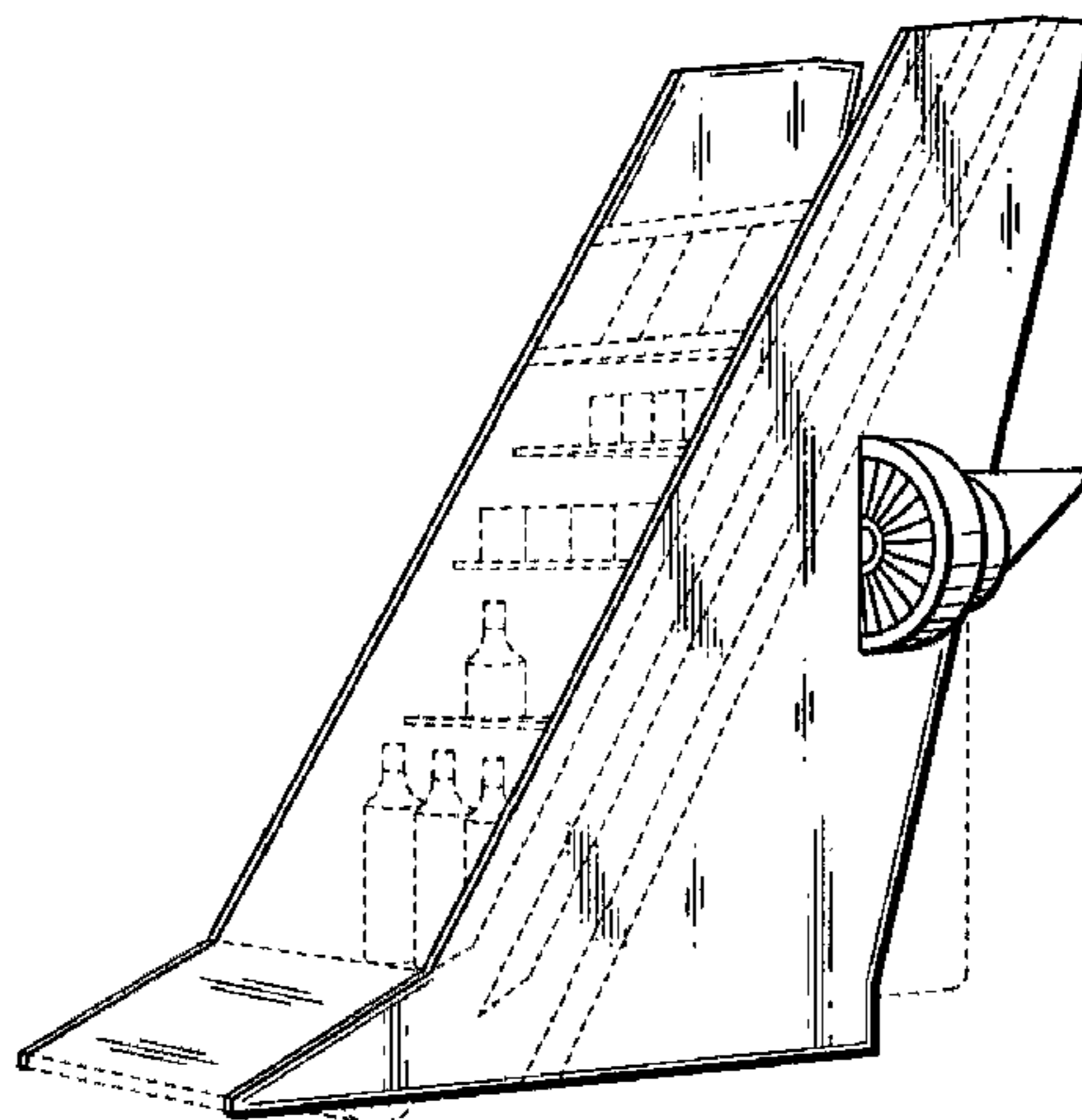
FIG. 12 is a rear plan view of the mobile kiosk of FIG. 8;

FIG. 13 is a top plan view of the mobile kiosk of FIG. 8; and,

FIG. 14 is a perspective view of the mobile kiosk of FIG. 8 illustrating a secured door in broken lines securing the mobile kiosk.

The portions of the figures shown in broken lines are for illustrative purposes only and form no part of the claimed design.

**1 Claim, 10 Drawing Sheets**



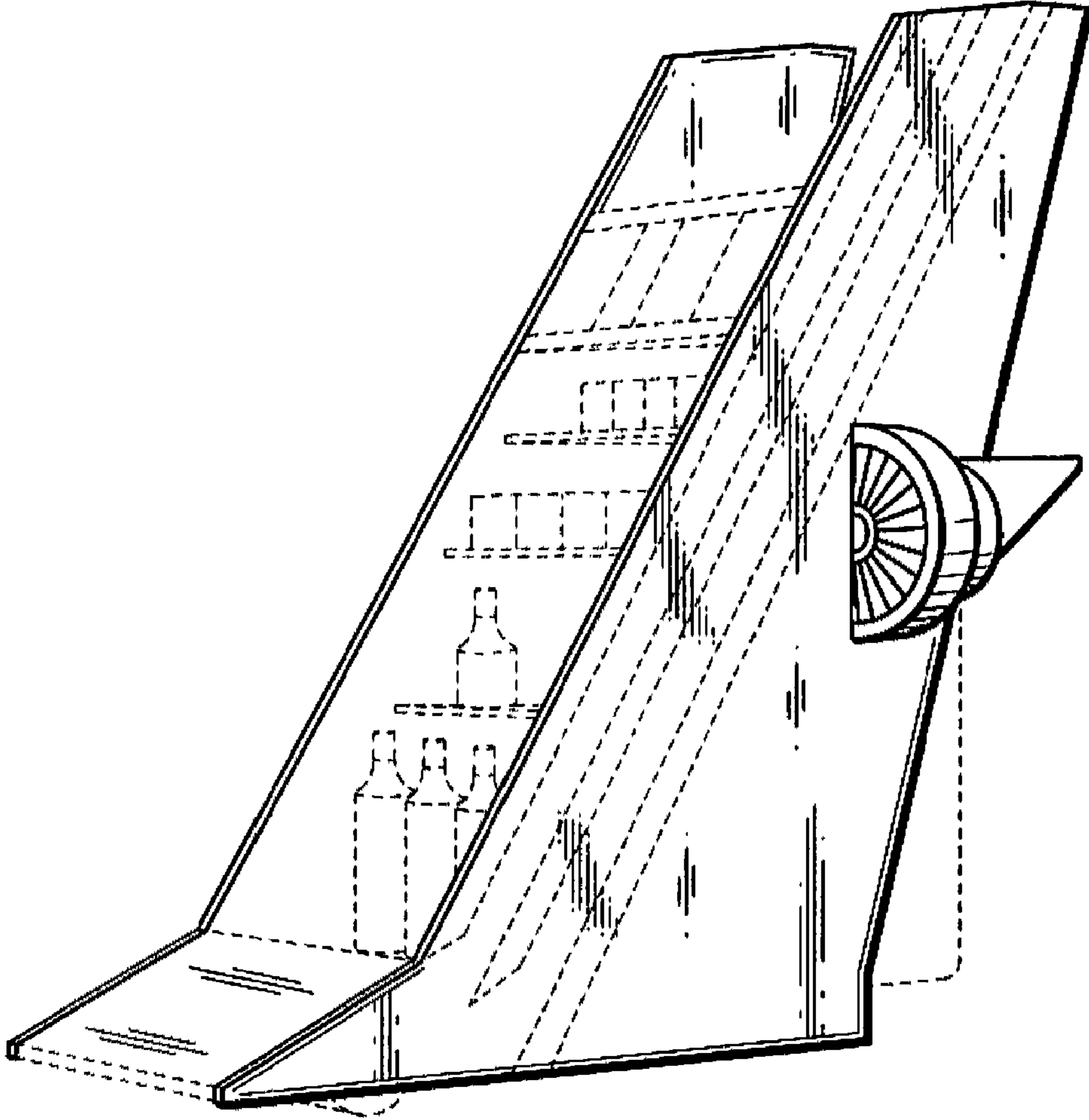
# US D656,756 S

Page 2

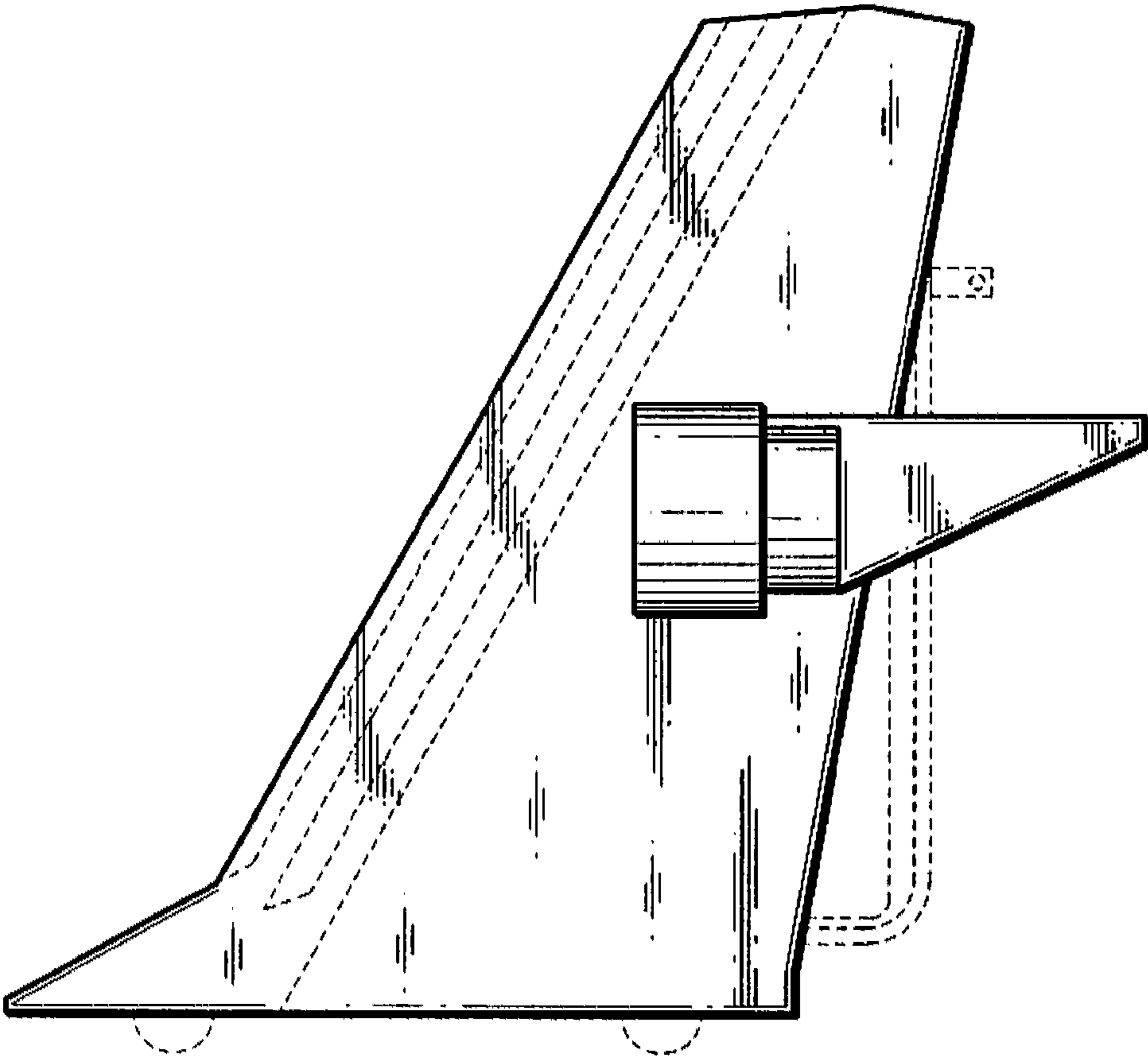
## U.S. PATENT DOCUMENTS

|              |     |         |                  |         |  |  |  |
|--------------|-----|---------|------------------|---------|--|--|--|
| 4,076,349    | A   | 2/1978  | Gettleman et al. |         |  |  |  |
| 4,117,900    | A * | 10/1978 | Amick .....      | 180/7.1 |  |  |  |
| D259,412     | S   | 6/1981  | Jenkins          |         |  |  |  |
| 4,480,866    | A   | 11/1984 | Komatsu          |         |  |  |  |
| 5,718,398    | A   | 2/1998  | Ross, Jr.        |         |  |  |  |
| D398,432     | S   | 9/1998  | Yerkes           |         |  |  |  |
| 5,984,439    | A   | 11/1999 | Orr et al.       |         |  |  |  |
| D417,801     | S * | 12/1999 | Robert .....     | D6/449  |  |  |  |
| 5,997,112    | A   | 12/1999 | Karten et al.    |         |  |  |  |
| D426,987     | S * | 6/2000  | Lewis .....      | D6/479  |  |  |  |
| D447,364     | S * | 9/2001  | Stone .....      | D6/477  |  |  |  |
| 6,474,677    | B2  | 11/2002 | Kasuya           |         |  |  |  |
| D492,458     | S   | 6/2004  | Jarast           |         |  |  |  |
| D493,046     | S * | 7/2004  | McDiarmid .....  | D6/470  |  |  |  |
| D495,901     | S * | 9/2004  | Bosman .....     | D6/479  |  |  |  |
| 7,131,543    | B2  | 11/2006 | Mason            |         |  |  |  |
| D561,973     | S   | 2/2008  | Kinsley et al.   |         |  |  |  |
| 7,402,018    | B2  | 7/2008  | Mountz et al.    |         |  |  |  |
| D575,023     | S   | 8/2008  | Girard           |         |  |  |  |
| 7,500,684    | B2  | 3/2009  | Van Loon et al.  |         |  |  |  |
| D592,417     | S   | 5/2009  | Cohn et al.      |         |  |  |  |
| D596,367     | S   | 7/2009  | Katz             |         |  |  |  |
| D603,122     | S   | 10/2009 | Balester et al.  |         |  |  |  |
| 2002/0093273 | A1  | 7/2002  | Itakura          |         |  |  |  |
| 2003/0075476 | A1  | 4/2003  | Savoie           |         |  |  |  |

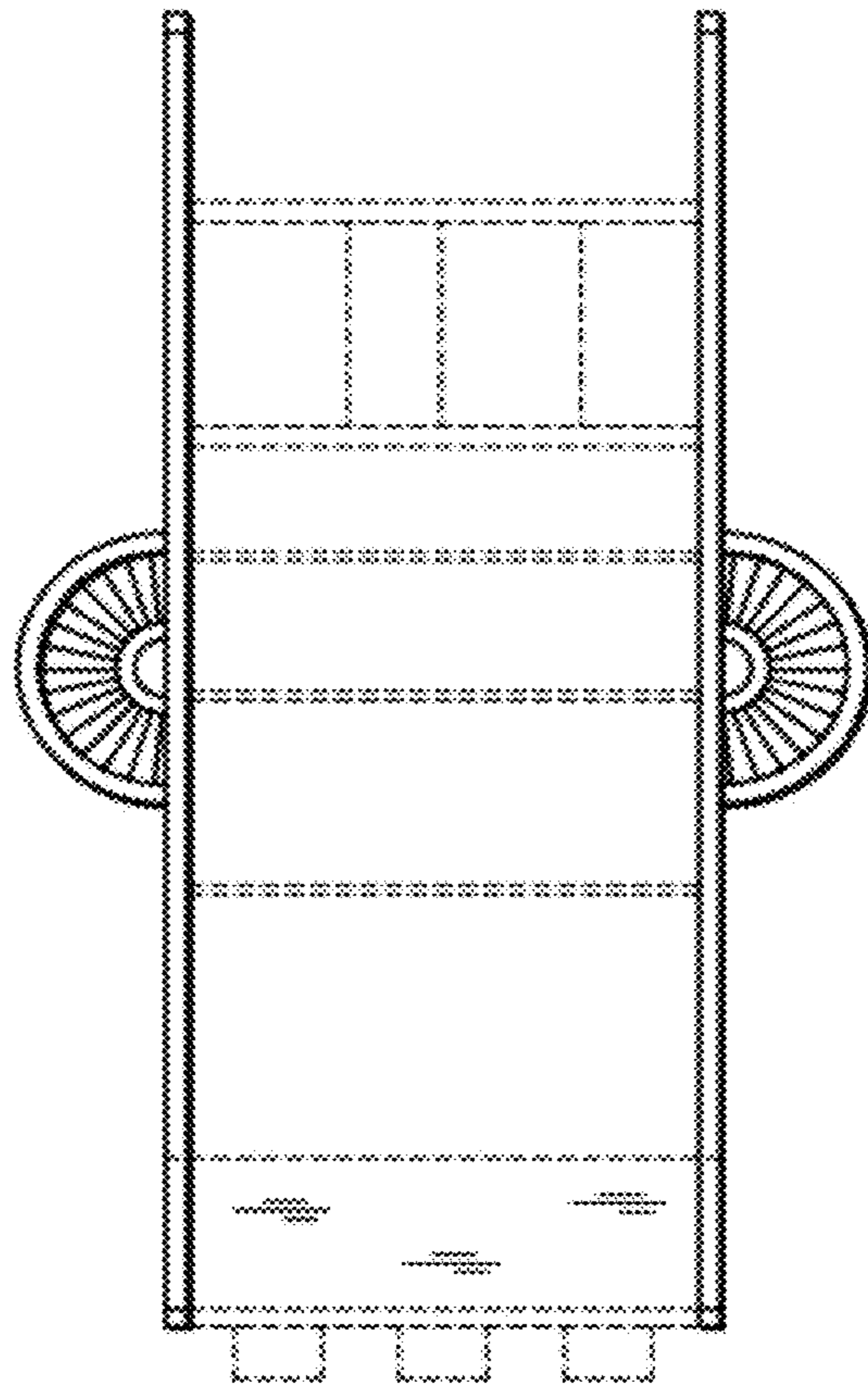
\* cited by examiner



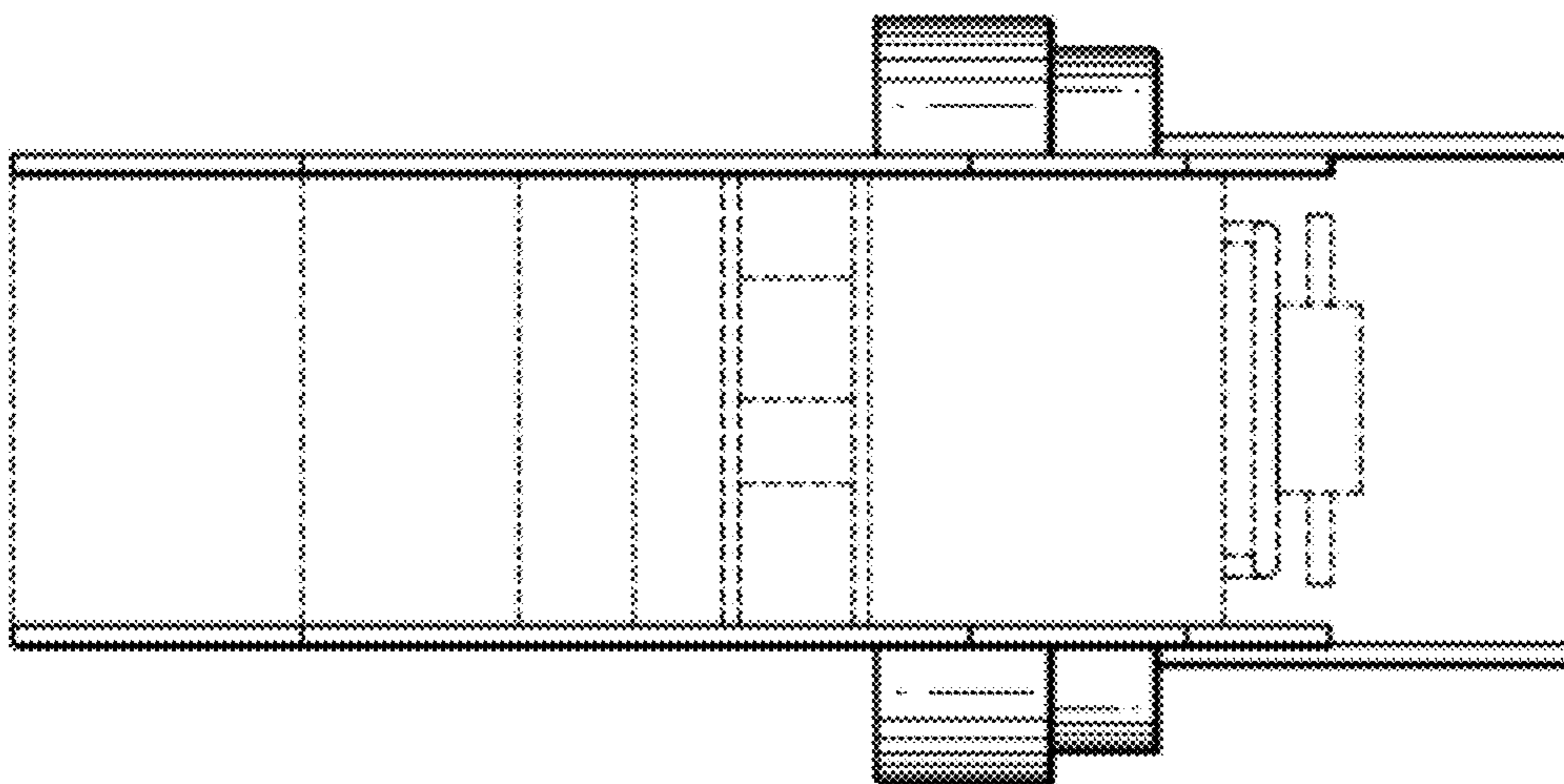
**FIG. 1**



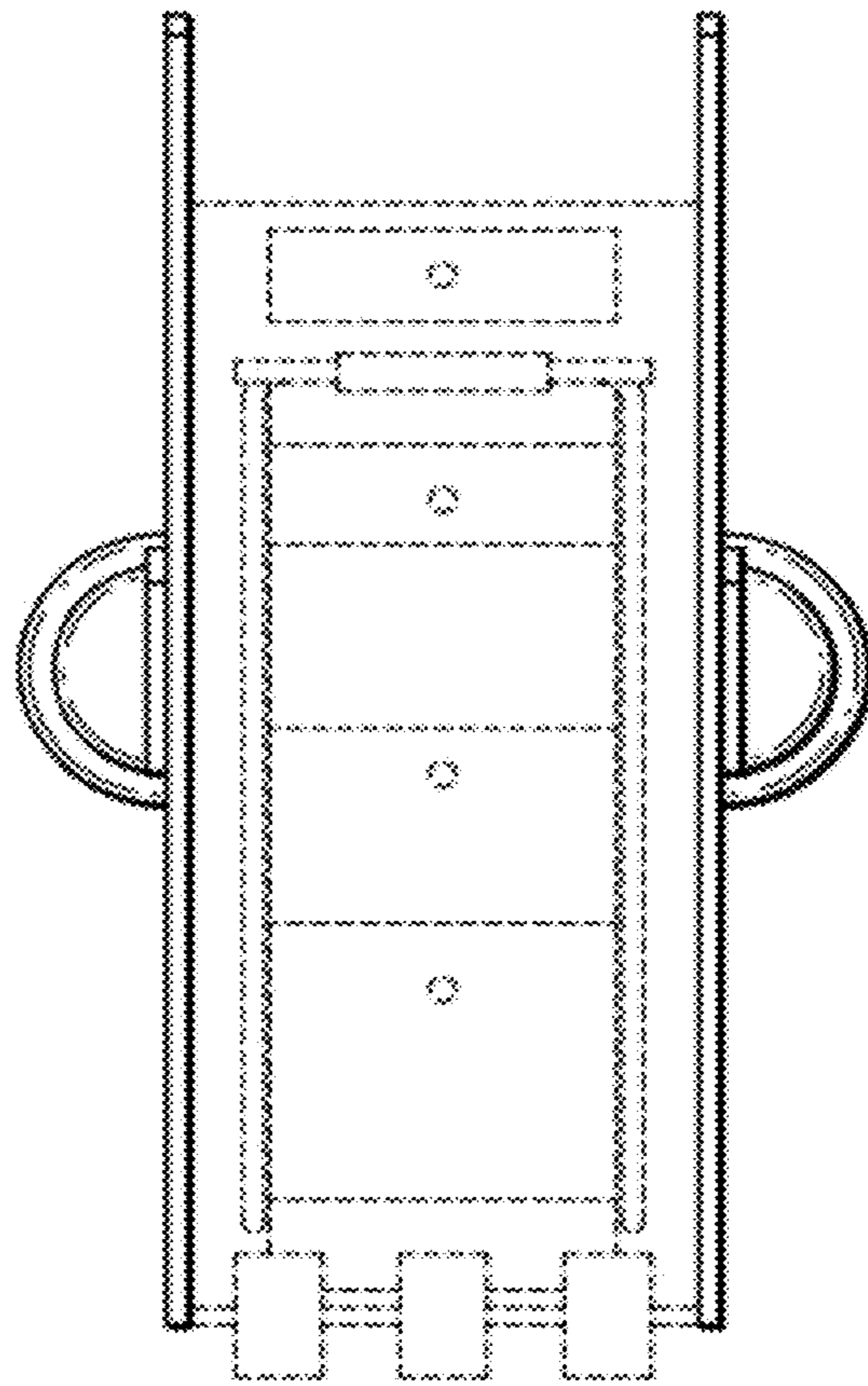
**FIG. 2**



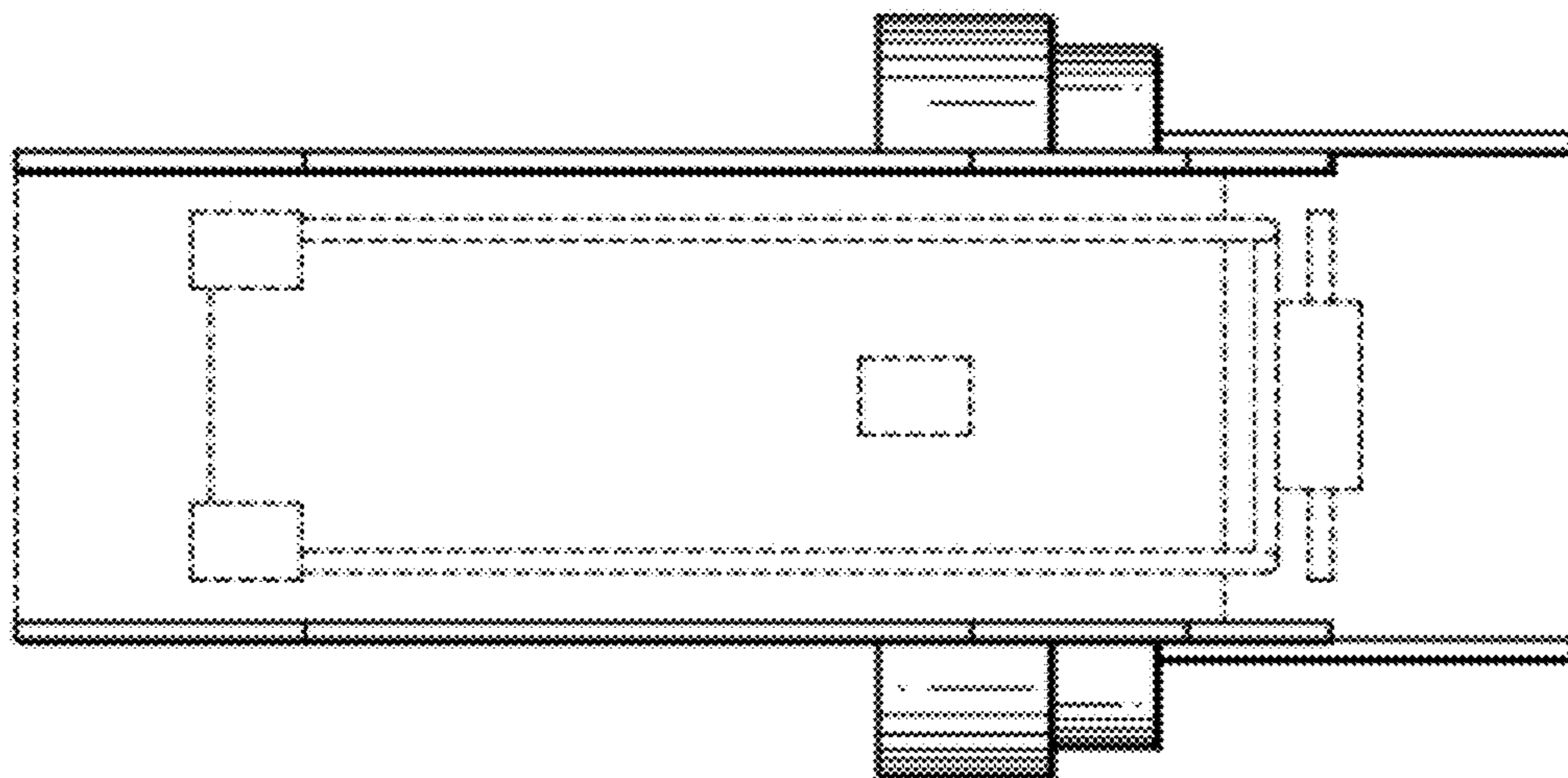
**FIG. 3**



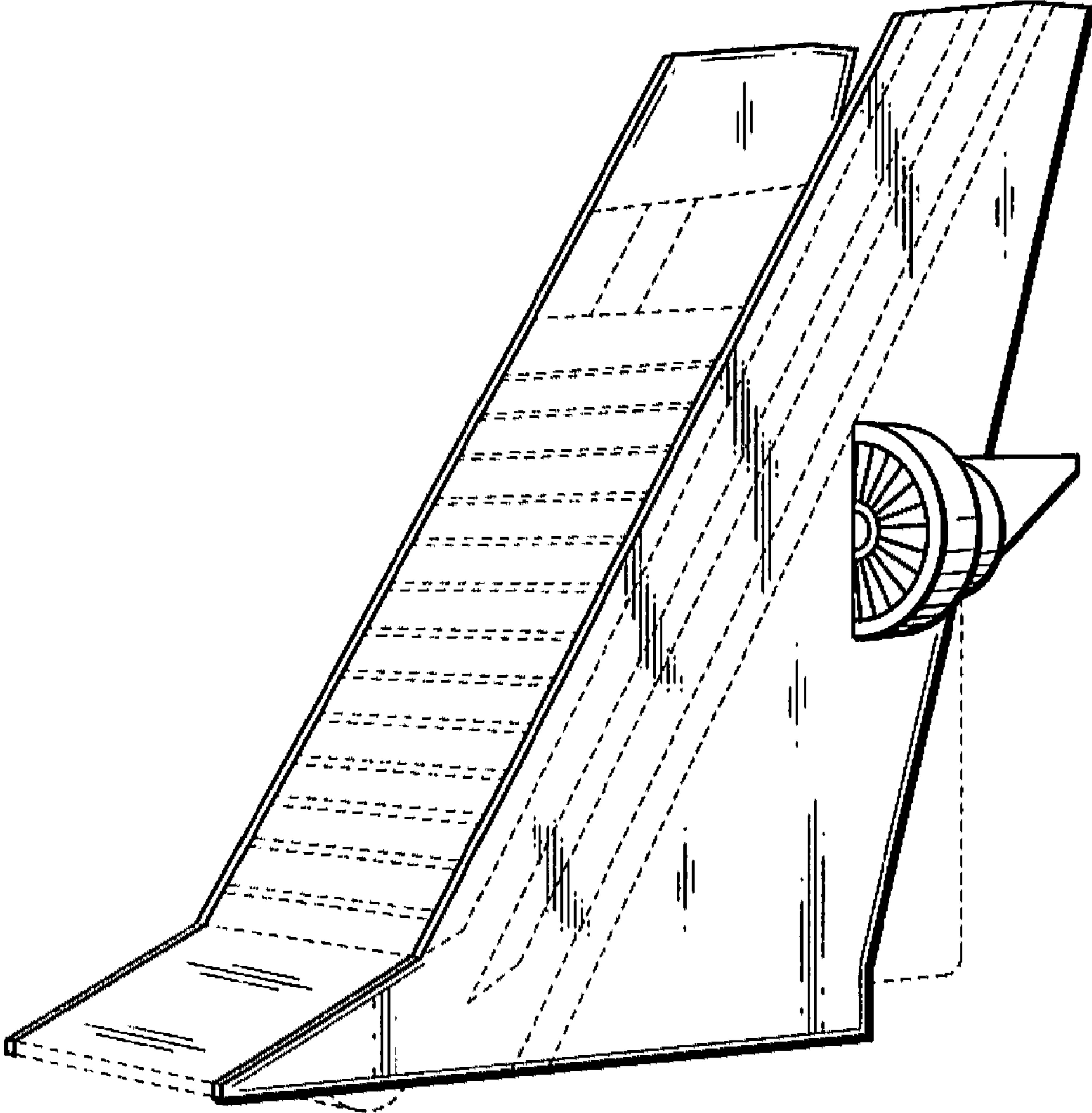
**FIG. 4**



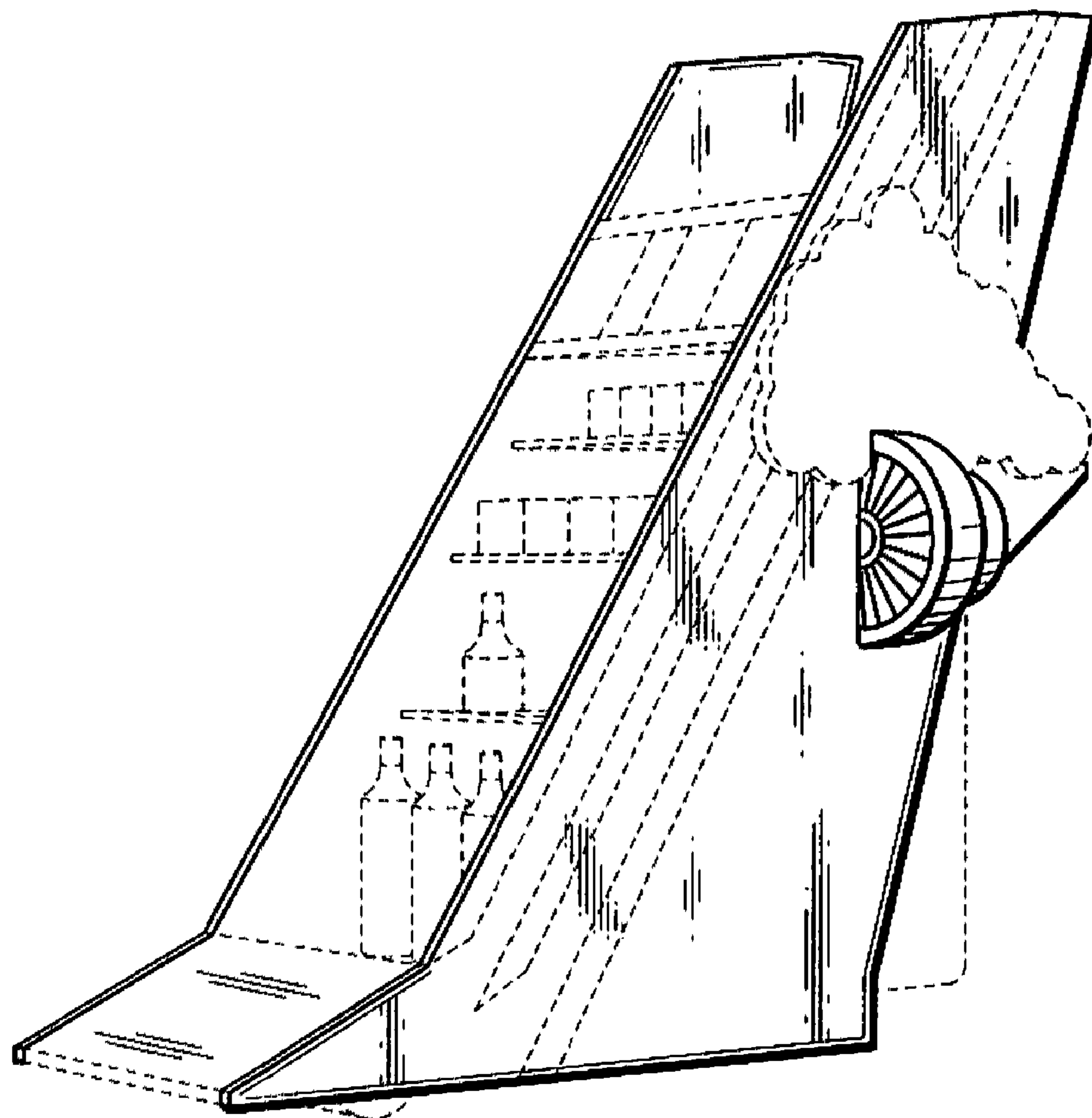
**FIG. 5**



**FIG. 6**

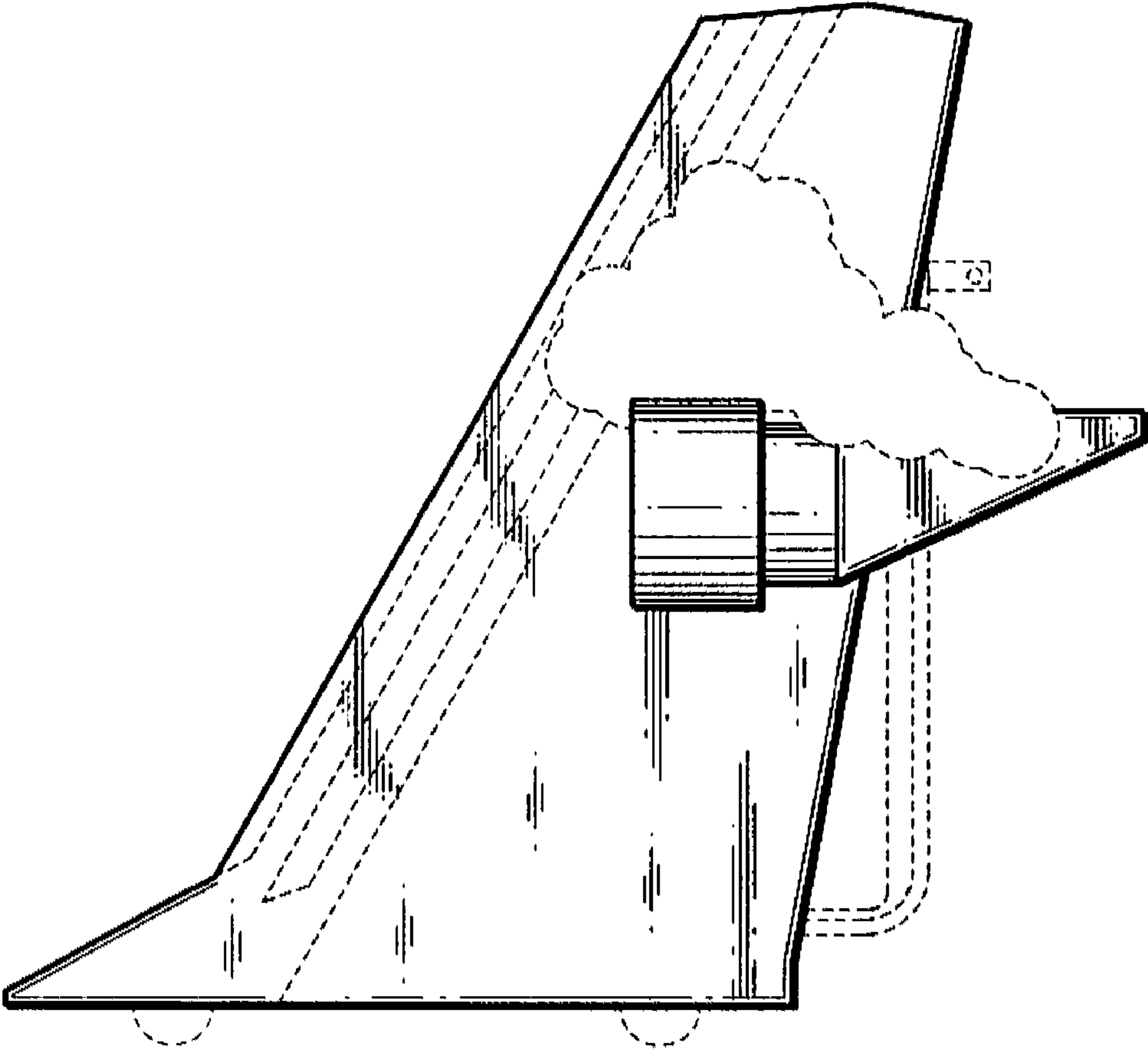


**FIG. 7**

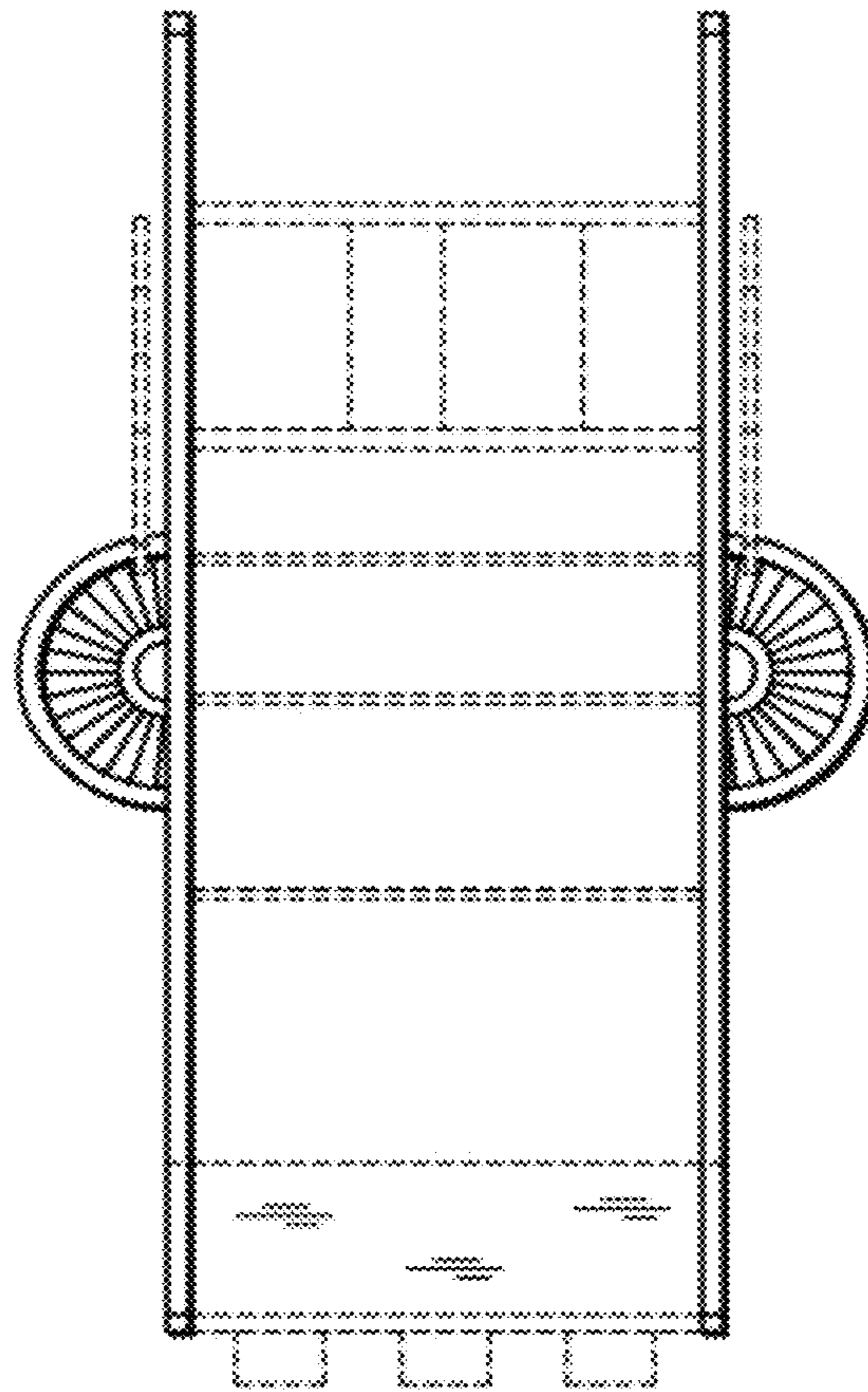


**FIG. 8**

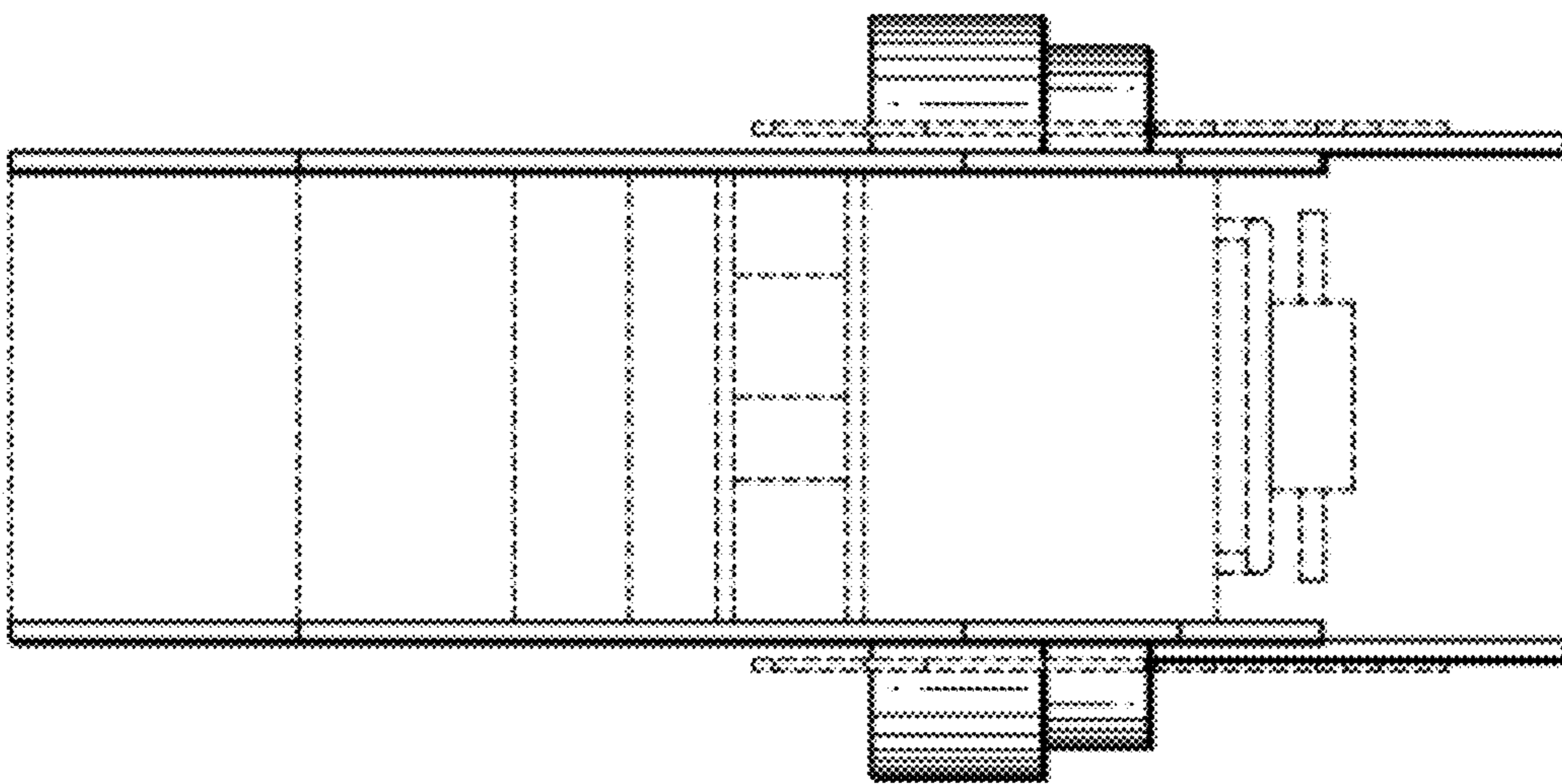




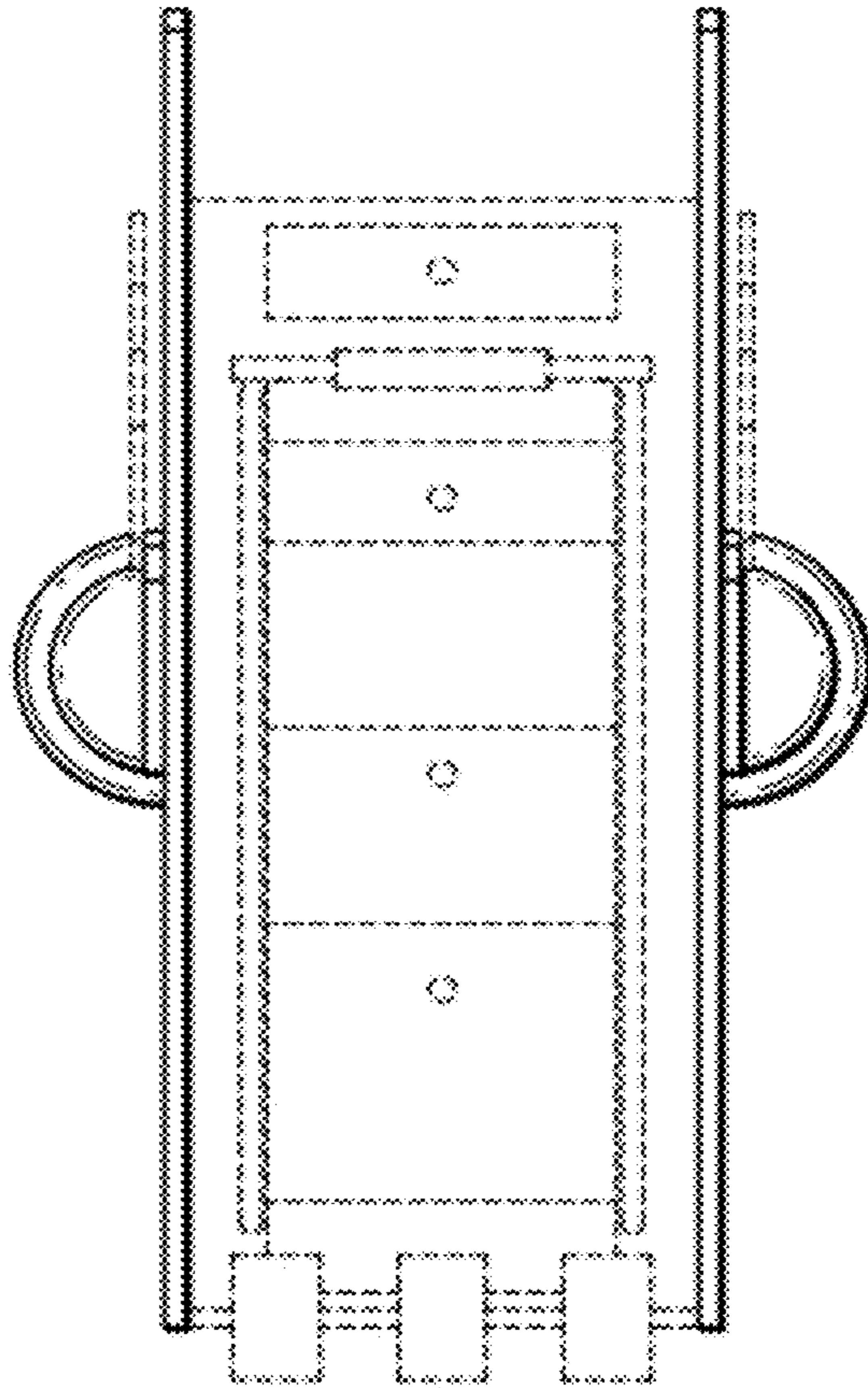
**FIG. 9**



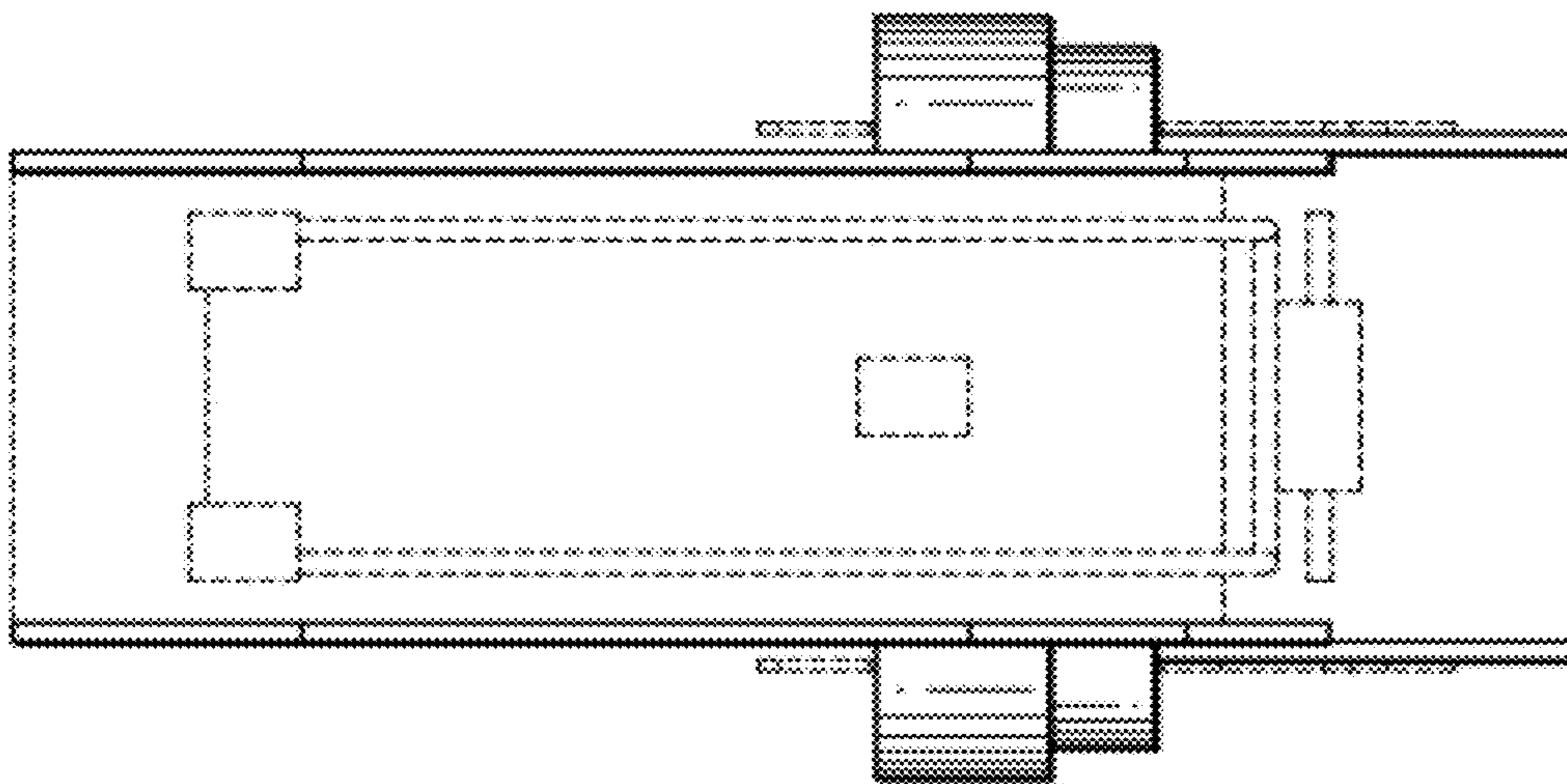
**FIG. 10**



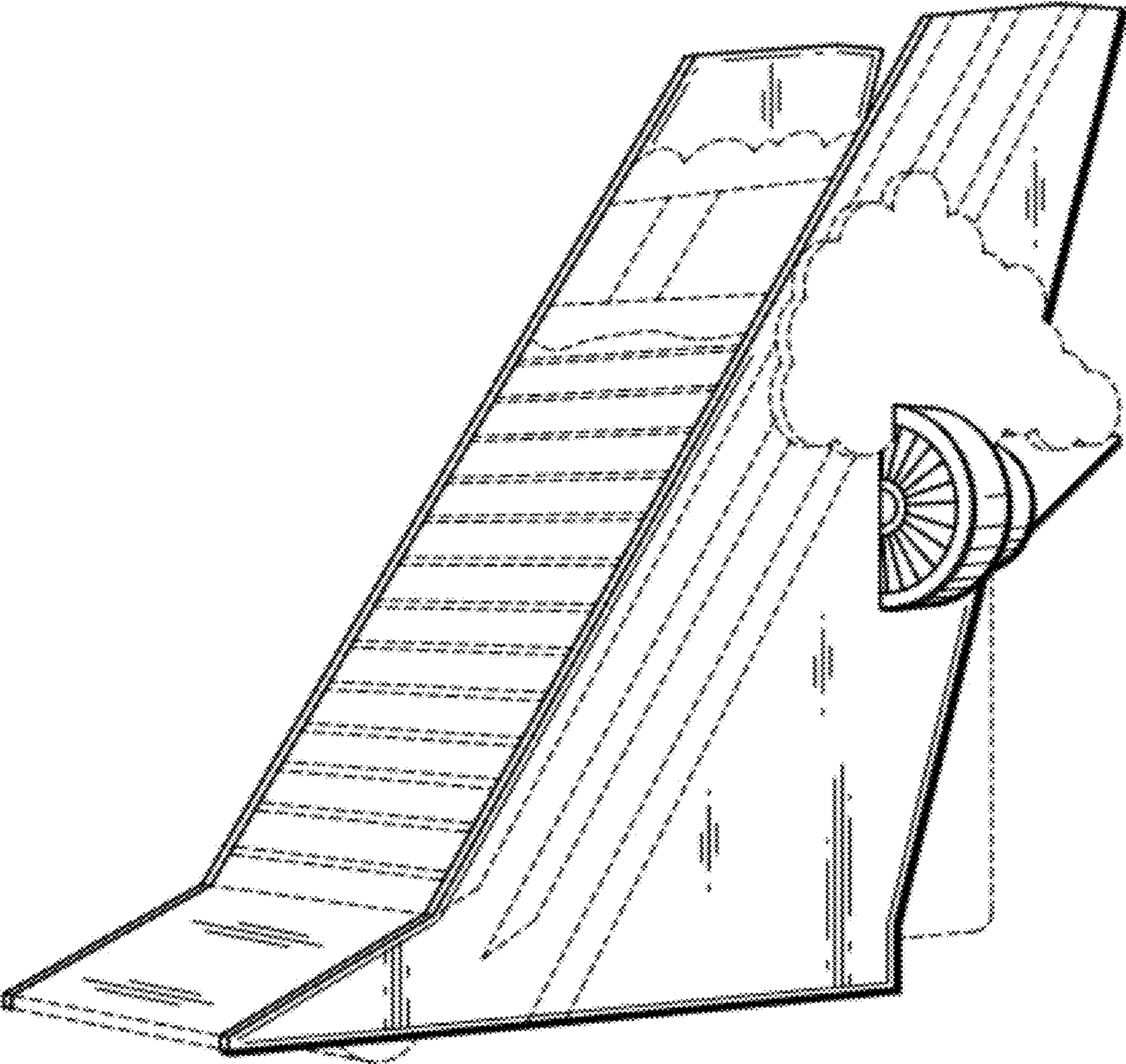
**FIG. 11**



**FIG. 12**



**FIG. 13**



**FIG. 14**