



US00D656753S

(12) **United States Design Patent**
Moll

(10) **Patent No.:** **US D656,753 S**
(45) **Date of Patent:** **** Apr. 3, 2012**

(54) **CHAIR**

(75) Inventor: **Reiner Moll**, Schwaebisch Gmuend (DE)

(73) Assignee: **Interstuhl Bueromoebel GmbH & Co. KG**, Messstetten (DE)

(**) Term: **14 Years**

(21) Appl. No.: **29/368,534**

(22) Filed: **Aug. 25, 2010**

(51) **LOC (9) Cl.** **06-01**

(52) **U.S. Cl.** **D6/366**

(58) **Field of Classification Search** D6/334-336,
D6/360, 364, 365, 366, 367, 374, 379, 380,
D6/498, 500-502; 297/411.2, 411.27, 411.36,
297/452.21, 452.26, 452.29, 452.32, 452.33,
297/452.35, 452.37, 452.48

See application file for complete search history.

(56) **References Cited**

U.S. PATENT DOCUMENTS

D327,781 S *	7/1992	Citterio	D6/366
D327,782 S *	7/1992	Citterio	D6/366
D390,712 S *	2/1998	Koepke et al.	D6/366
D410,799 S *	6/1999	Meda	D6/366
D541,061 S *	4/2007	Benden et al.	D6/366

D557,025 S *	12/2007	Chen	D6/366
D557,026 S *	12/2007	Klaasen et al.	D6/366
D579,682 S *	11/2008	Neil	D6/366
D597,331 S *	8/2009	Neil	D6/366

* cited by examiner

Primary Examiner — Mimosa De

(74) *Attorney, Agent, or Firm* — Michael J. Striker

(57) **CLAIM**

The ornamental design for a chair, as shown and described.

DESCRIPTION

FIG. 1 is a perspective view of a chair showing my new design;

FIG. 2 is a front view thereof;

FIG. 3 is a rear perspective view thereof;

FIG. 4 is a side view thereof;

FIG. 5 is the opposite side view of FIG. 4 thereof;

FIG. 6 is a rear view thereof;

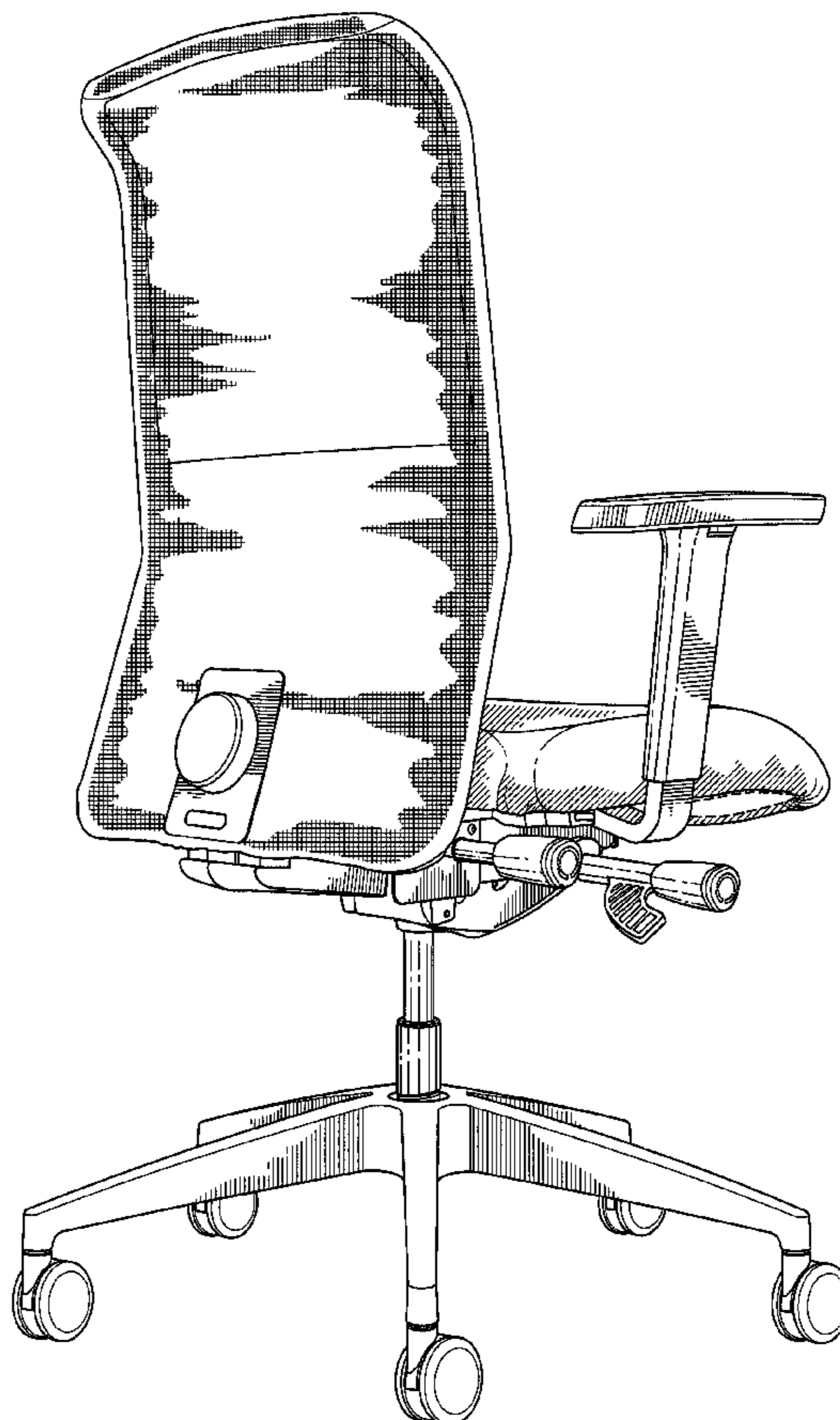
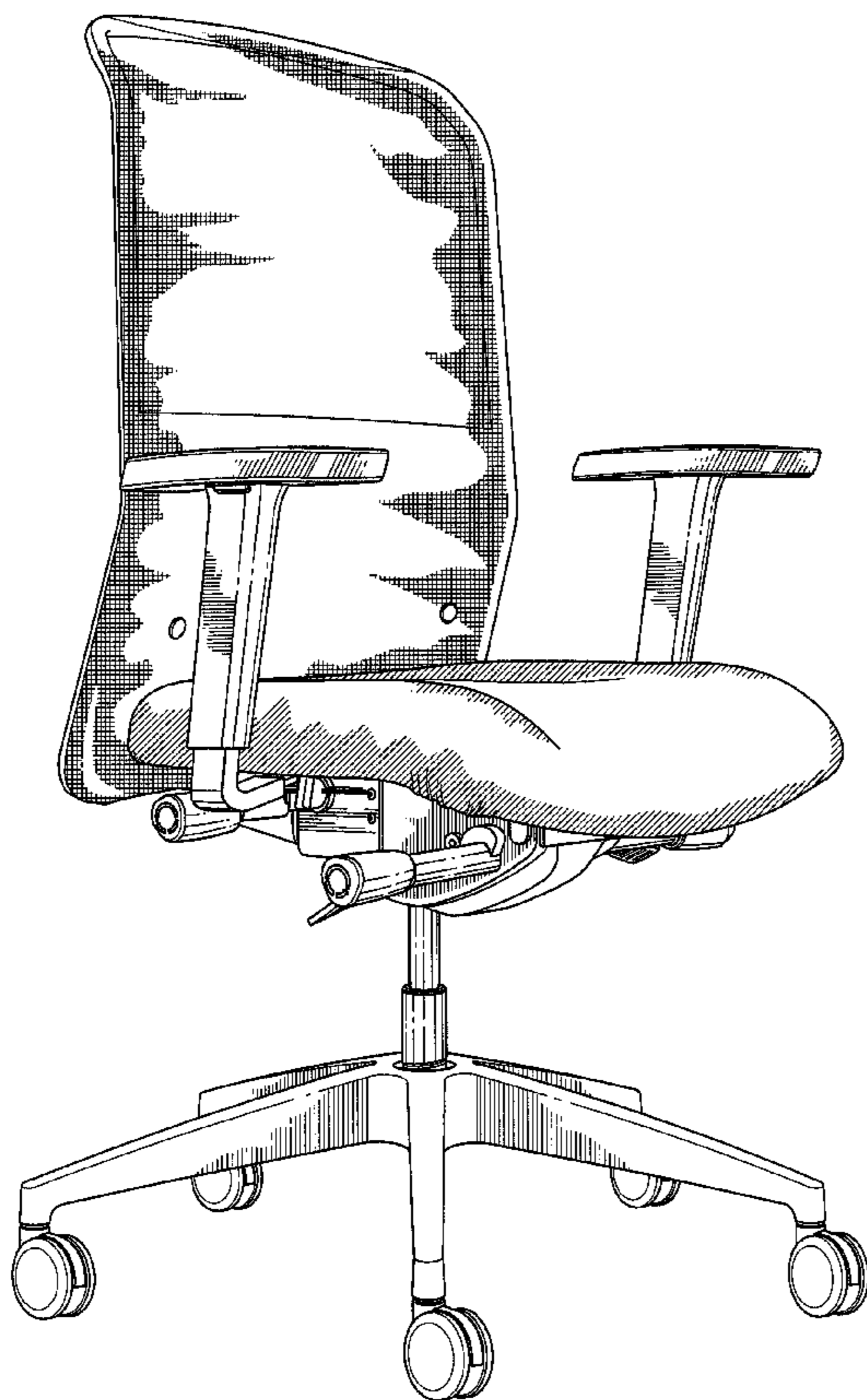
FIG. 7 is a top view thereof; and,

FIG. 8 is a bottom view thereof.

The fragmented crosshatching shown on the backrest member is understood to represent fabric and would be continuous throughout the circumscribed areas.

The broken lines showing on the FIG. 8 bottom view are for illustrative purposes only and form no part of the claimed design.

1 Claim, 8 Drawing Sheets



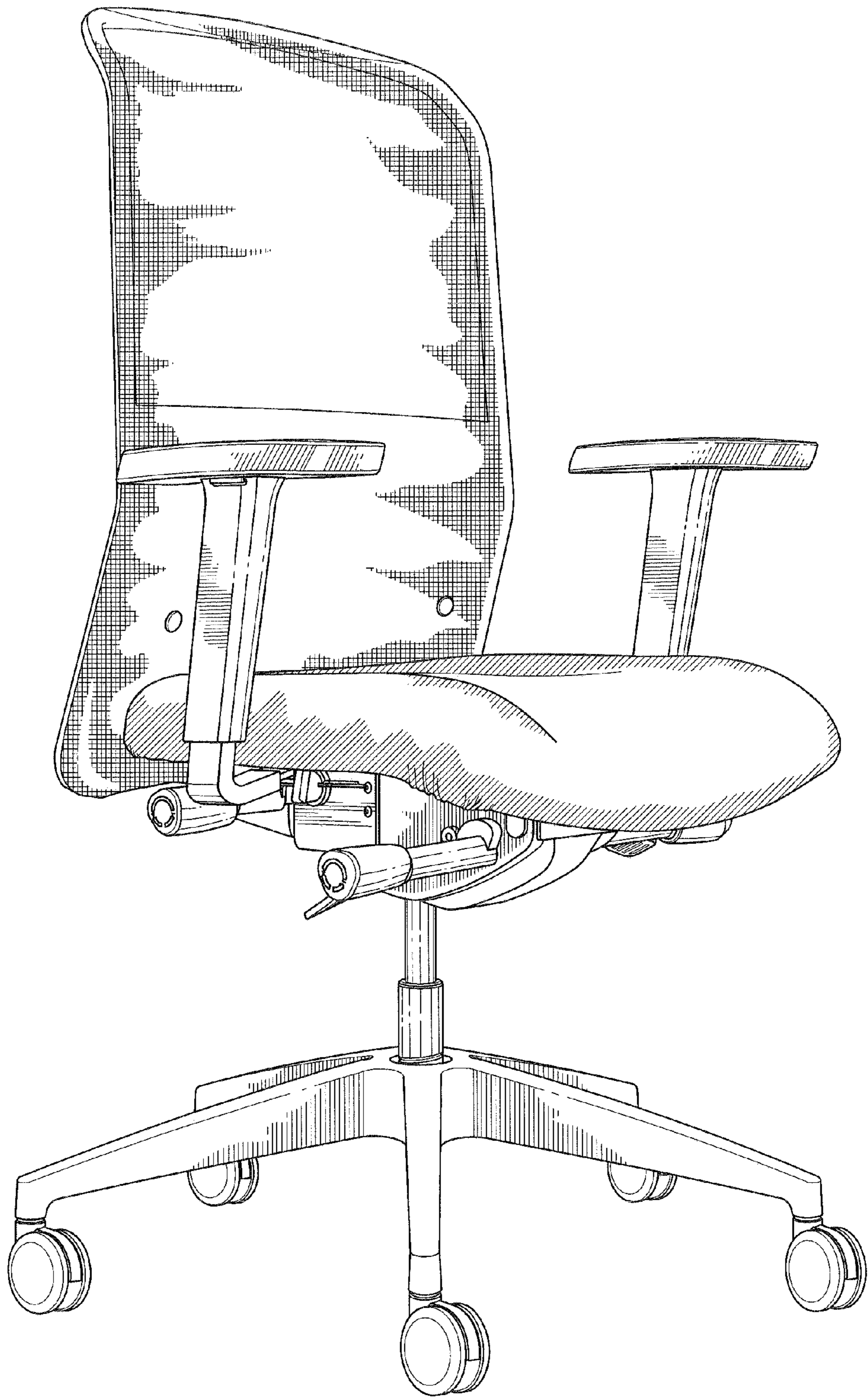


FIG. 1

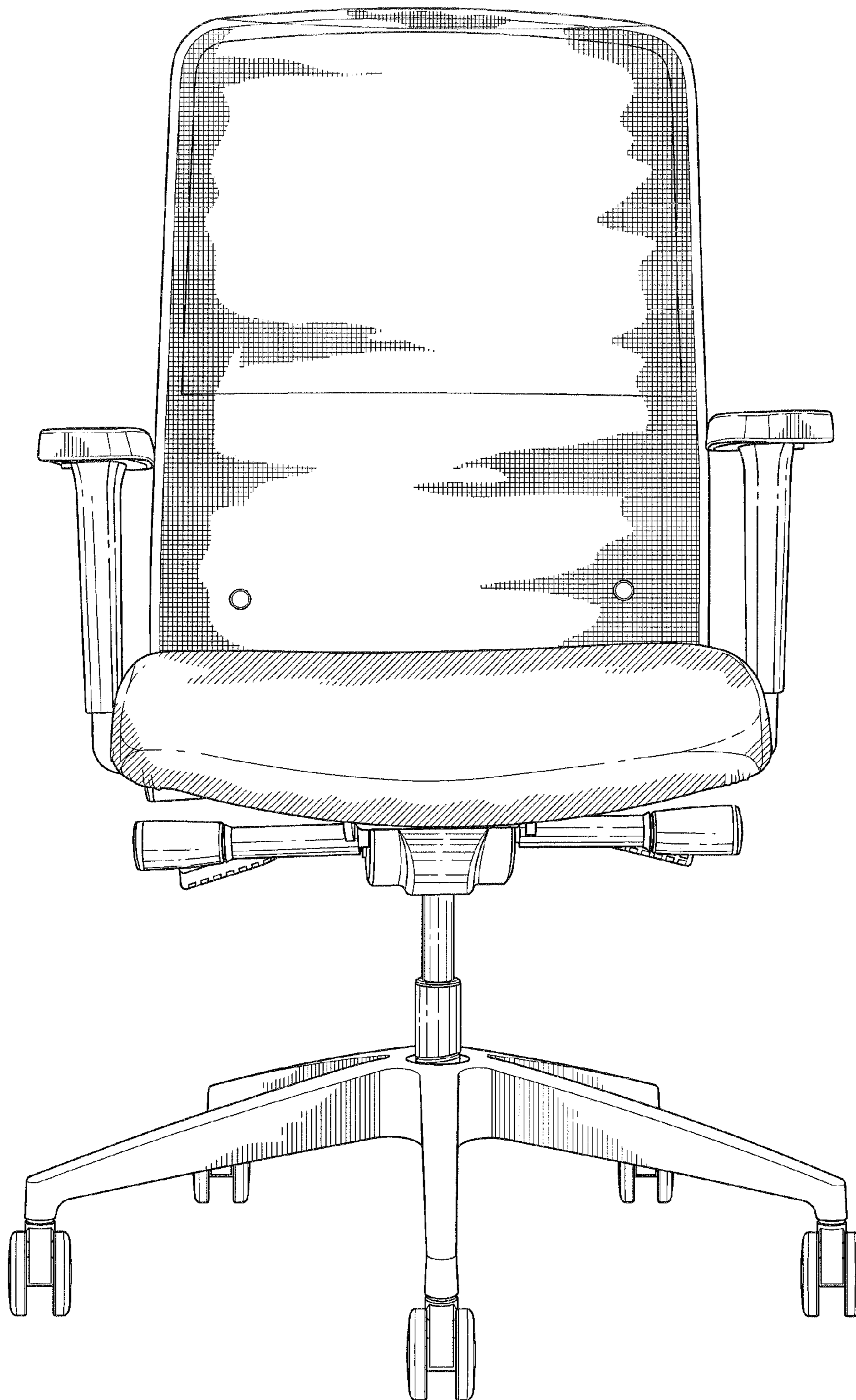


FIG. 2

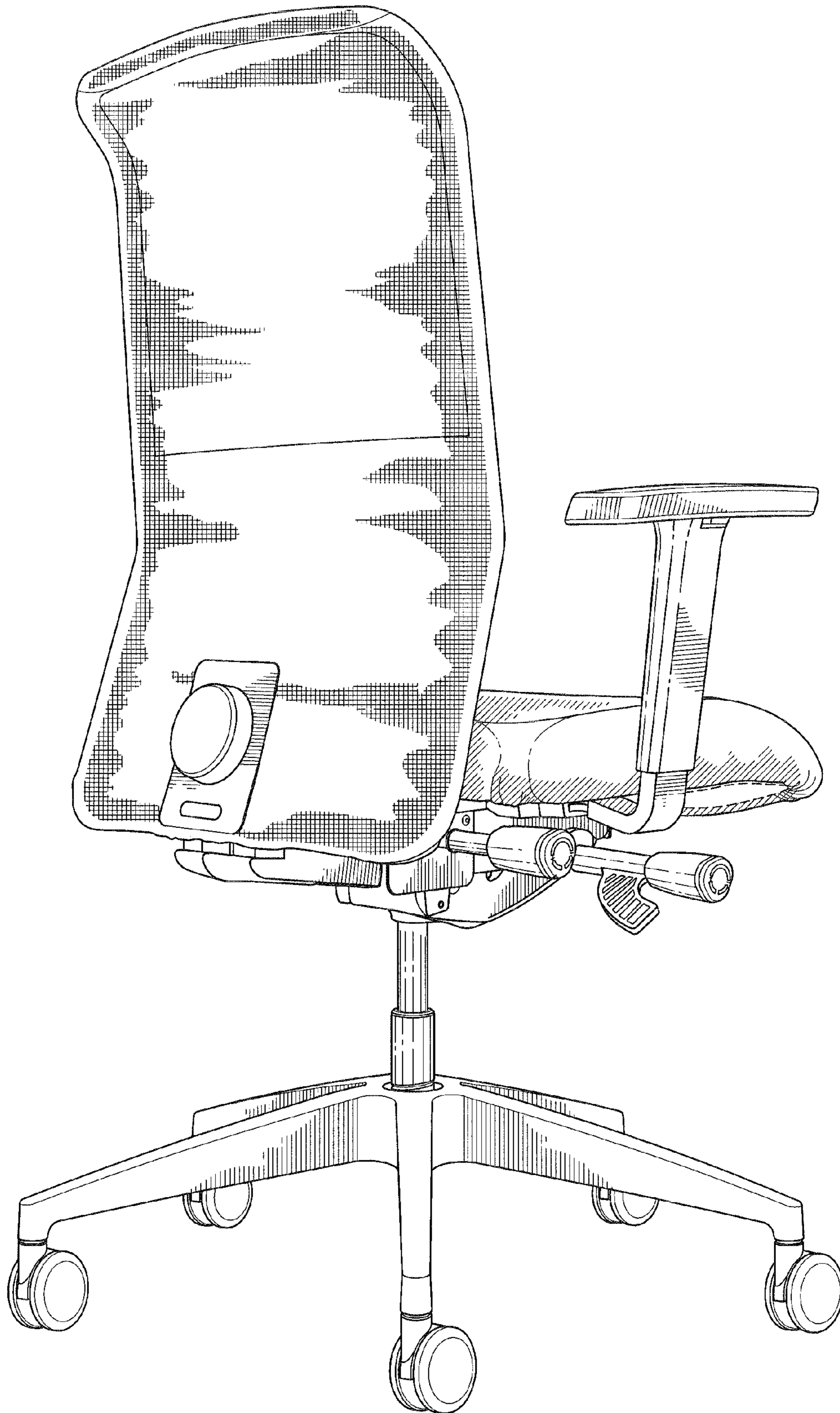


FIG. 3

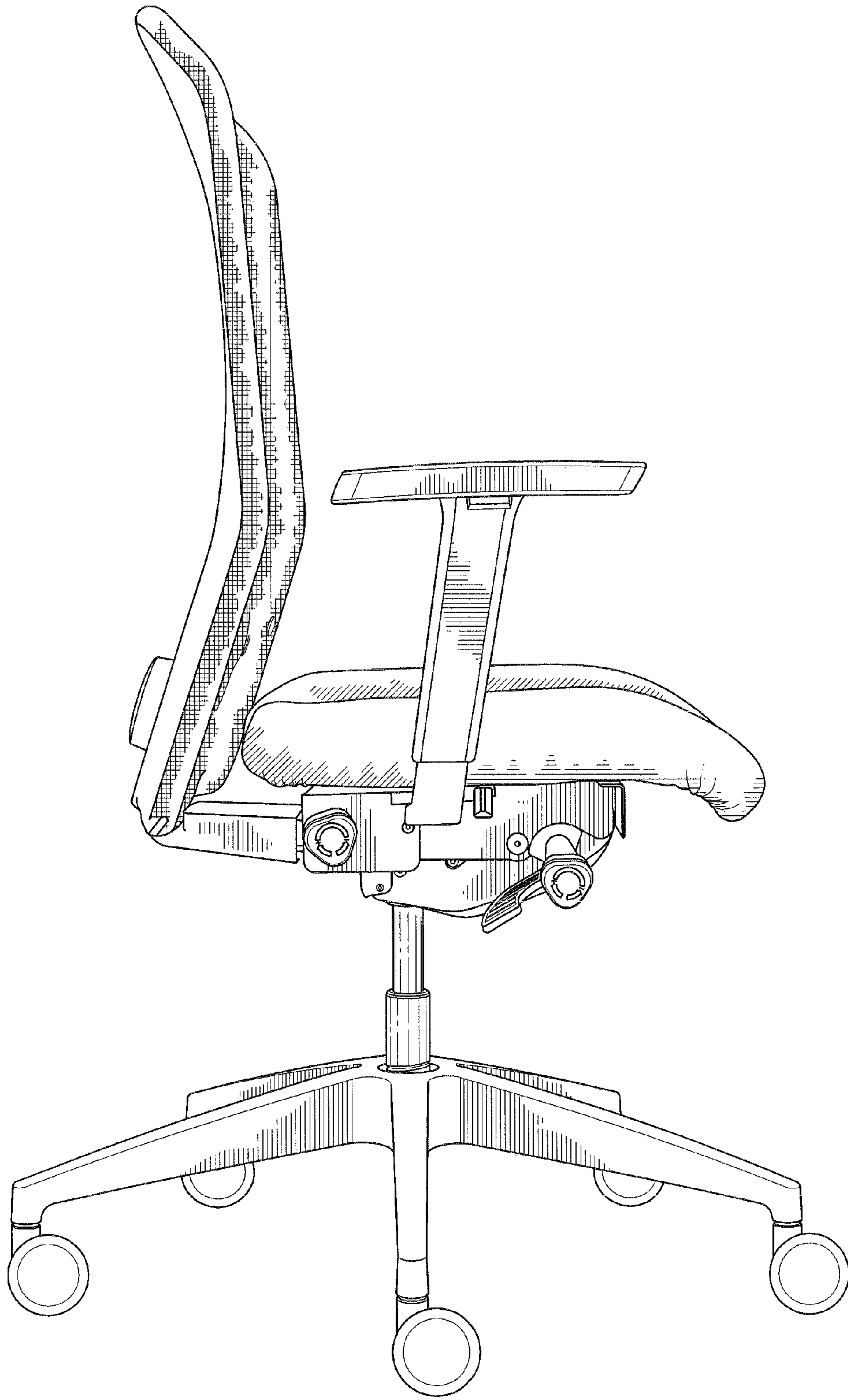


FIG. 4

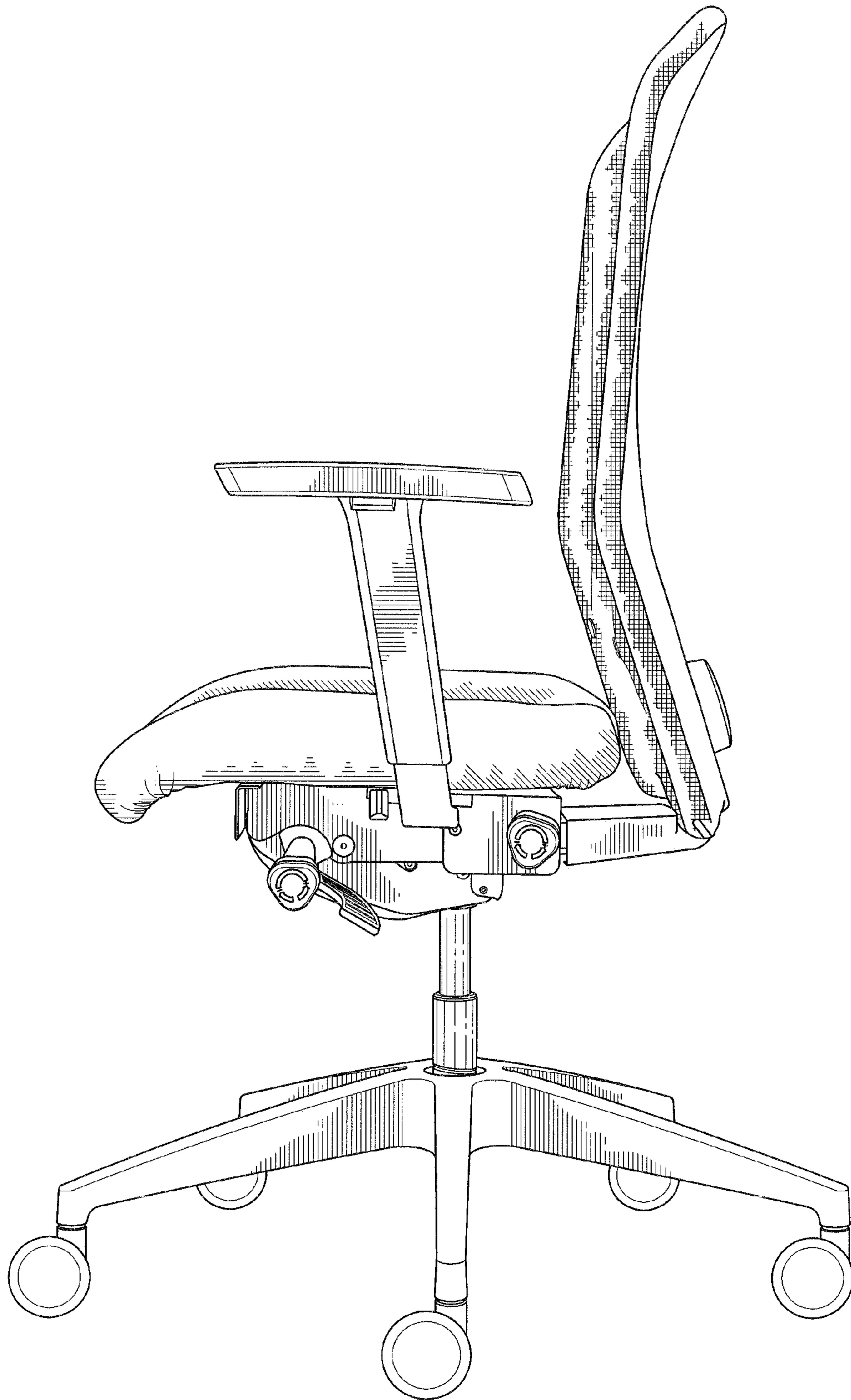


FIG. 5

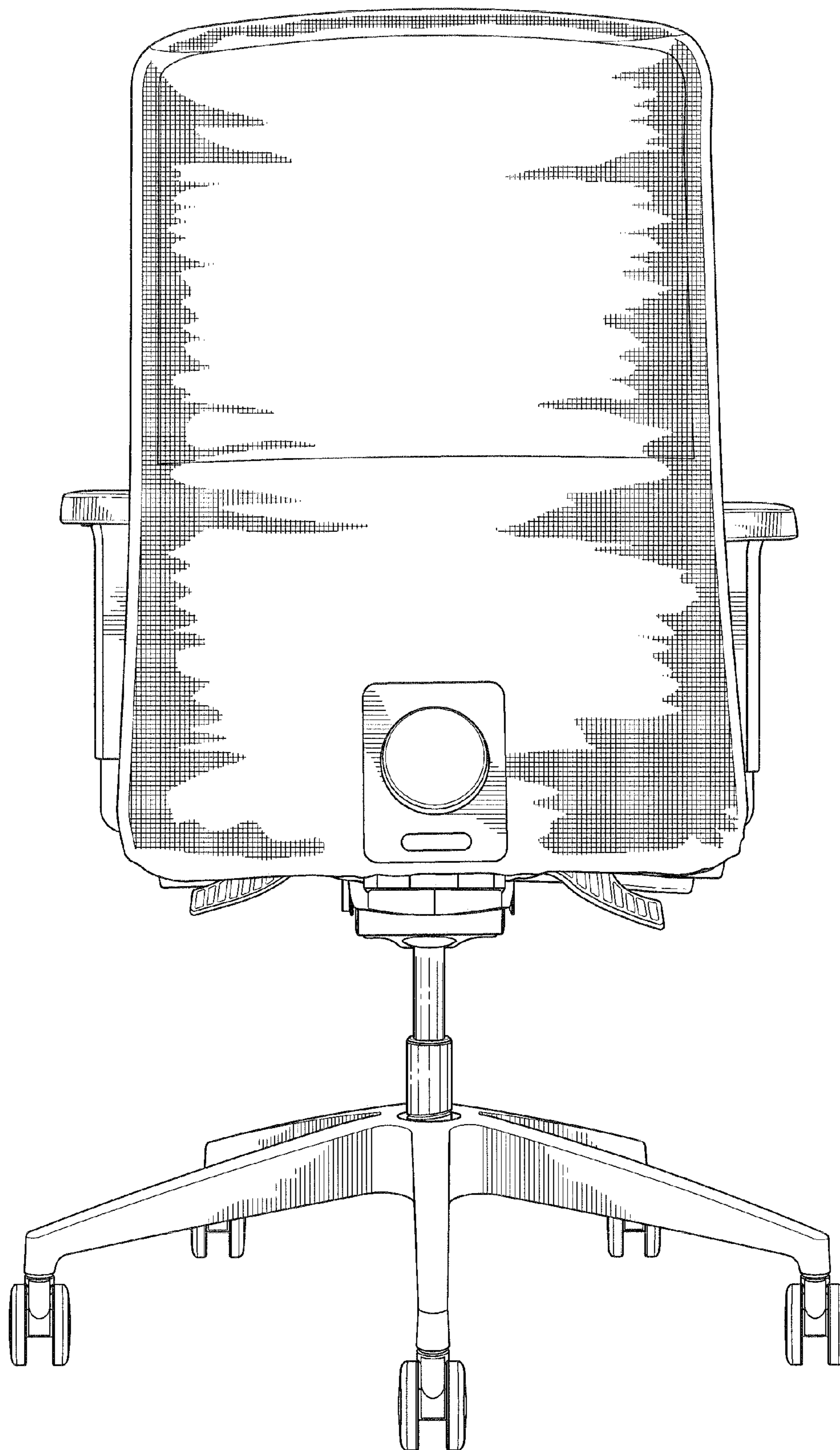


FIG. 6

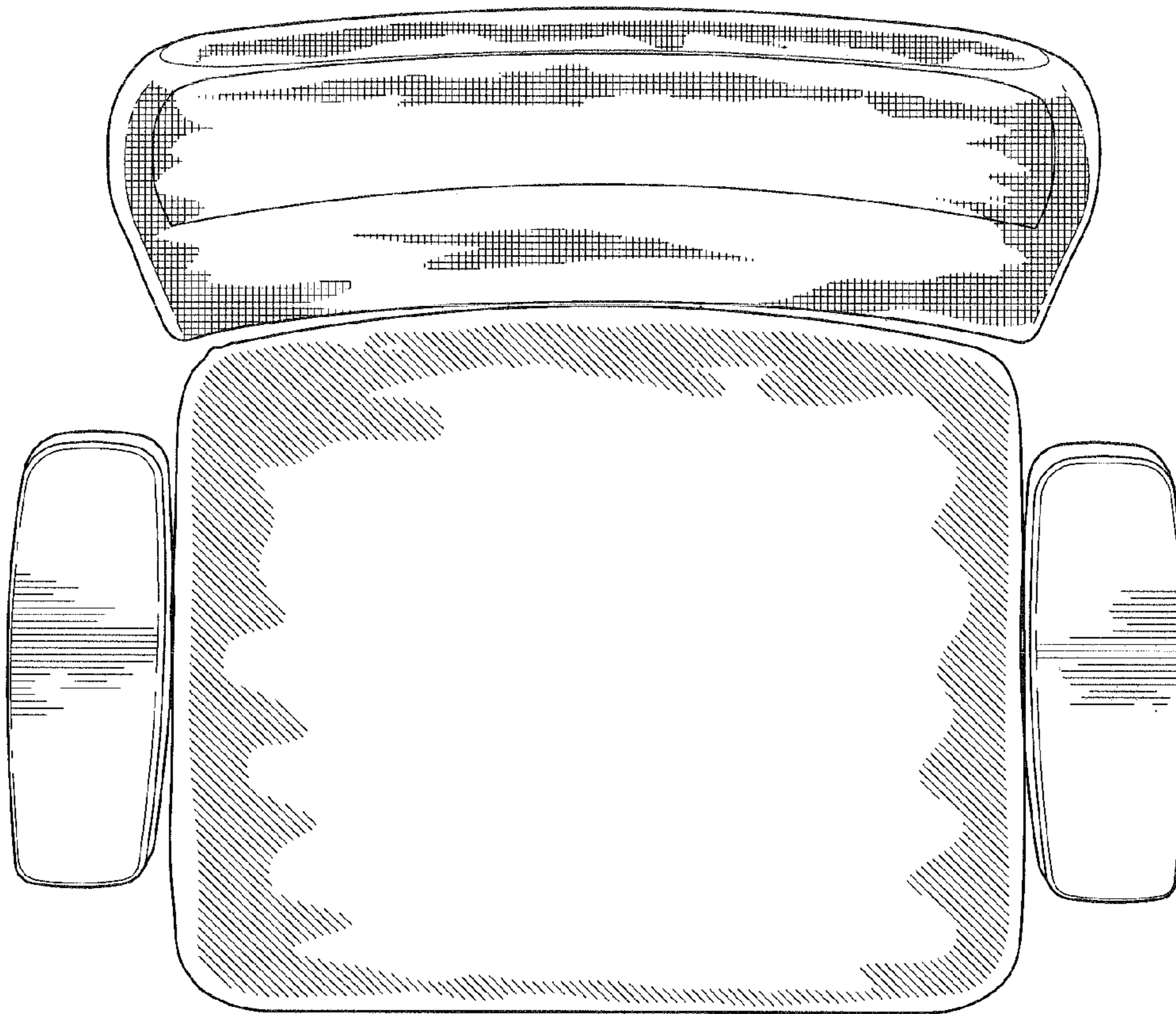


FIG. 7

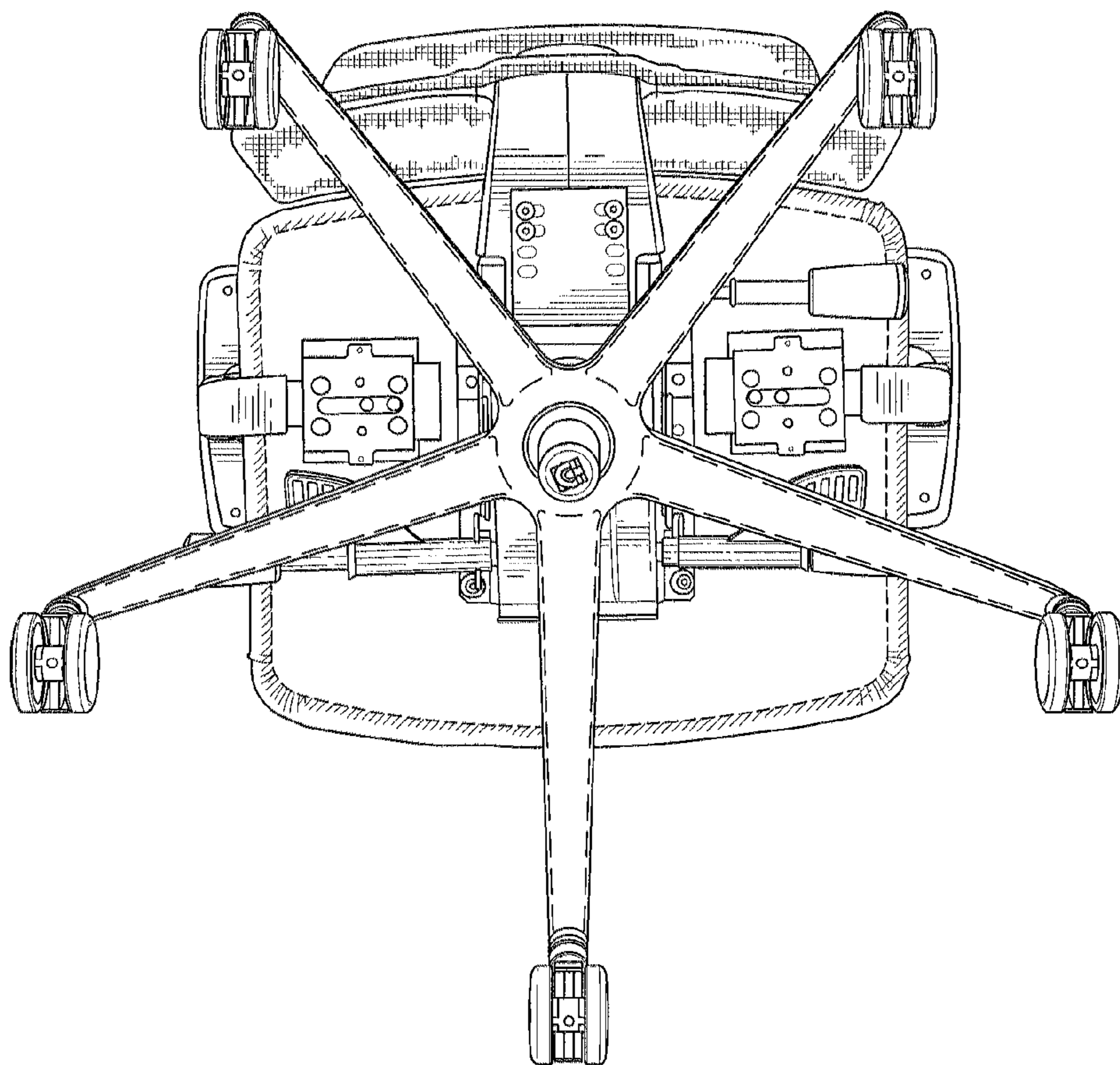


FIG. 8