



US00D656751S

(12) **United States Design Patent**  
**Levorato et al.**

(10) **Patent No.:** **US D656,751 S**  
(45) **Date of Patent:** **\*\* Apr. 3, 2012**

(54) **VEHICLE SEAT**

(75) Inventors: **Stefano Gabriel Levorato**, Santana de Parnaiba (BR); **Gabriel Clemente Silva**, Sao Caetano Do Dul (BR); **Dagoberto Tribia**, Sao Paulo (BR)

(73) Assignee: **GM Global Technology Operations LLC**, Detroit, MI (US)

(\*\*) Term: **14 Years**

(21) Appl. No.: **29/394,110**

(22) Filed: **Jun. 13, 2011**

(51) **LOC (9) Cl.** ..... **06-01**

(52) **U.S. Cl.** ..... **D6/356**

(58) **Field of Classification Search** ..... D6/334-336,  
D6/356, 367, 368, 374, 375, 381, 500-502;  
297/232, 353, 344.1, 354.1, 396, 452.21,  
297/452.24, 452.25, 452.26, 452.29, 452.34,  
297/452.35, 468

See application file for complete search history.

(56) **References Cited**

U.S. PATENT DOCUMENTS

D317,534 S \* 6/1991 Hansel ..... D6/356  
D321,095 S \* 10/1991 Bockwoldt ..... D6/356

D396,152 S \* 7/1998 Beermann et al. .... D6/356  
D453,078 S \* 1/2002 Yamazaki et al. .... D6/356  
D509,077 S \* 9/2005 Beermann et al. .... D6/356  
D513,565 S \* 1/2006 Juraschek ..... D6/356  
D513,894 S \* 1/2006 Juraschek ..... D6/356  
D536,543 S \* 2/2007 Hsu ..... D6/356  
D562,576 S \* 2/2008 Ritzel et al. .... D6/356  
D574,619 S \* 8/2008 Maezono ..... D6/356  
D587,025 S \* 2/2009 Juraschek ..... D6/356  
2008/0088168 A1 \* 4/2008 Beermann et al. .... 297/468

\* cited by examiner

*Primary Examiner* — Mimoso De

(74) *Attorney, Agent, or Firm* — Parks IP Law LLC; Mickki D. Murray

(57) **CLAIM**

The ornamental design for a vehicle seat, as shown and described.

**DESCRIPTION**

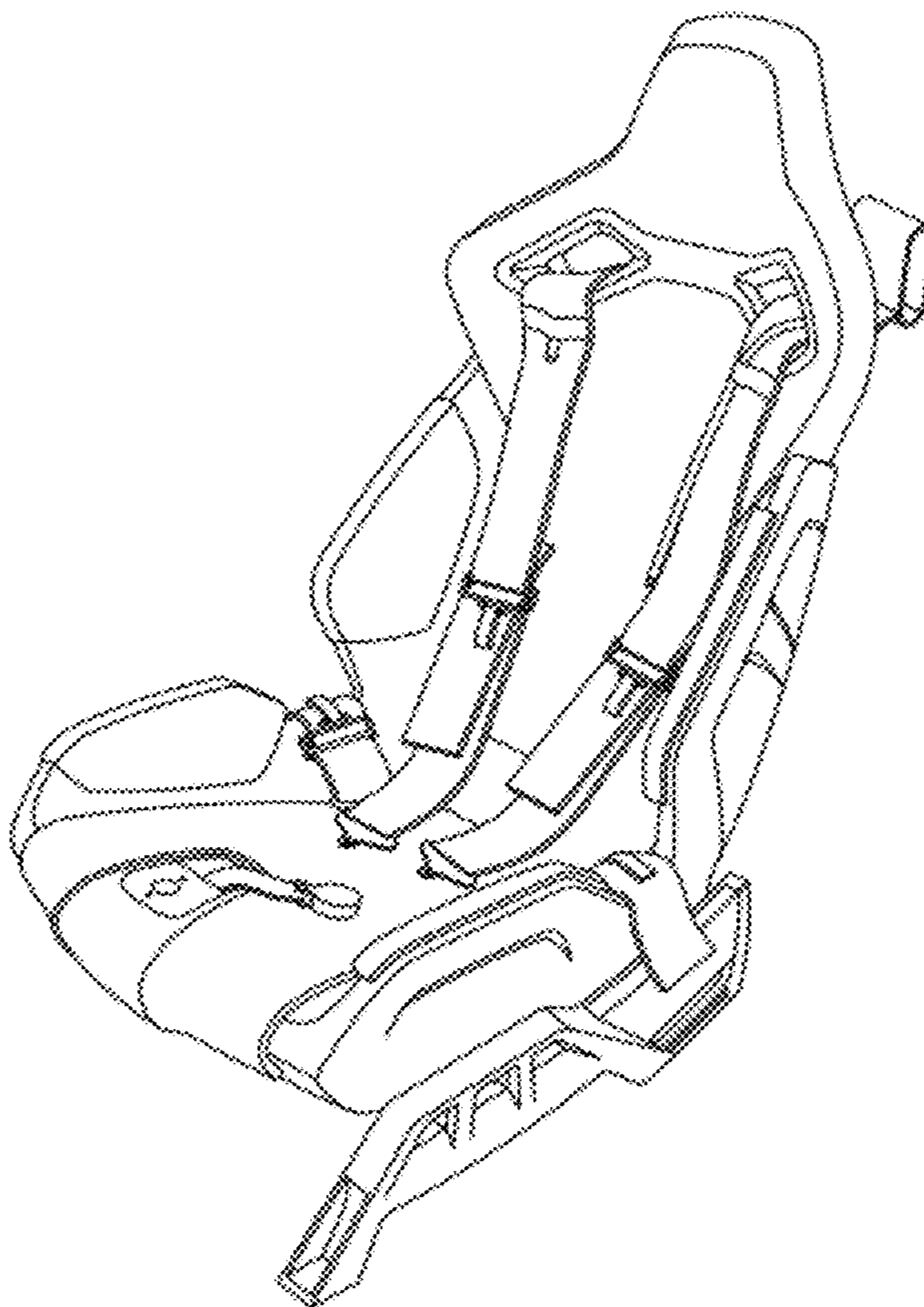
FIG. 1 is a perspective of a vehicle seat showing the new design;

FIG. 2 is a side view, thereof;

FIG. 3 is a top plan view, thereof; and,

FIG. 4 is a front view, thereof.

**1 Claim, 2 Drawing Sheets**



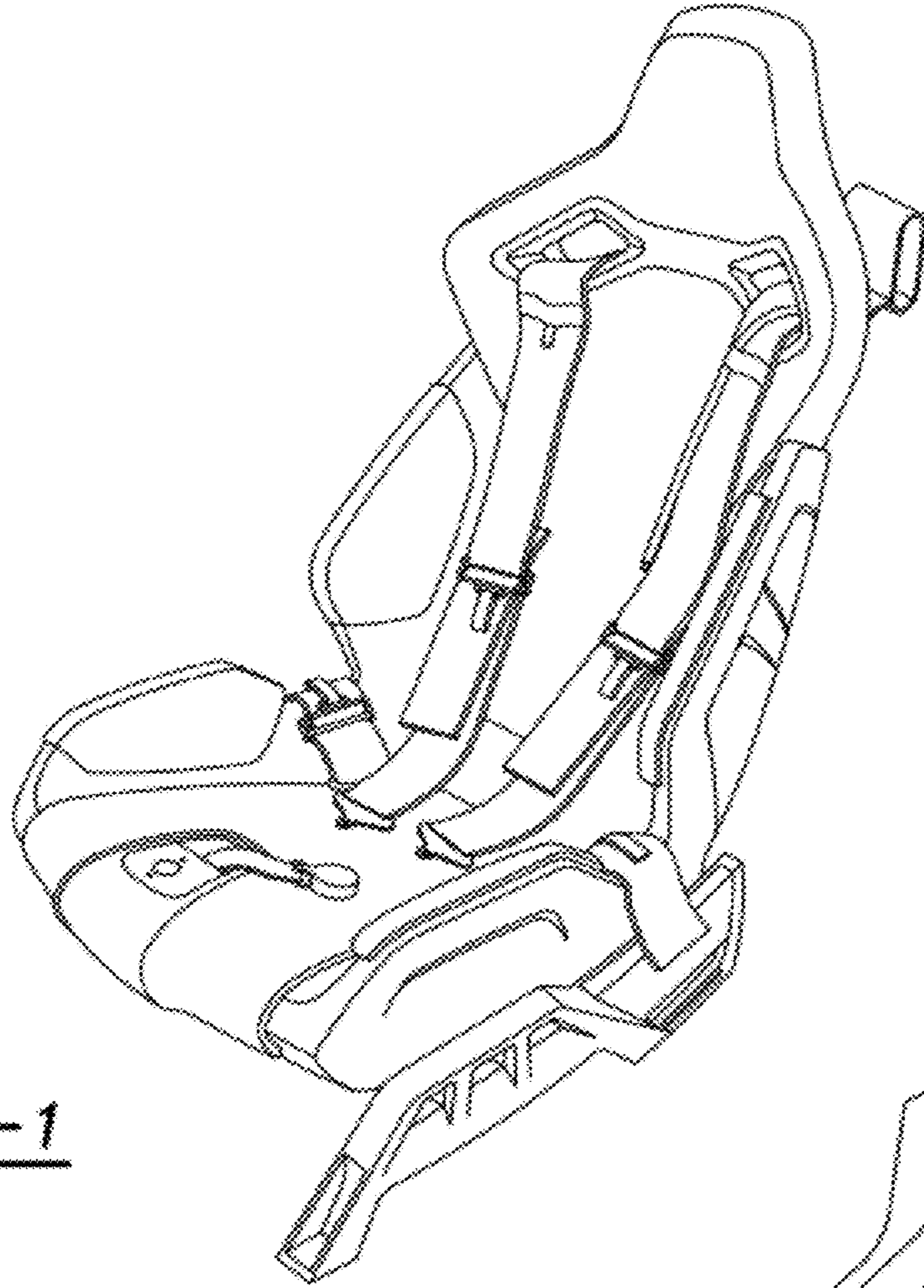


Fig-1

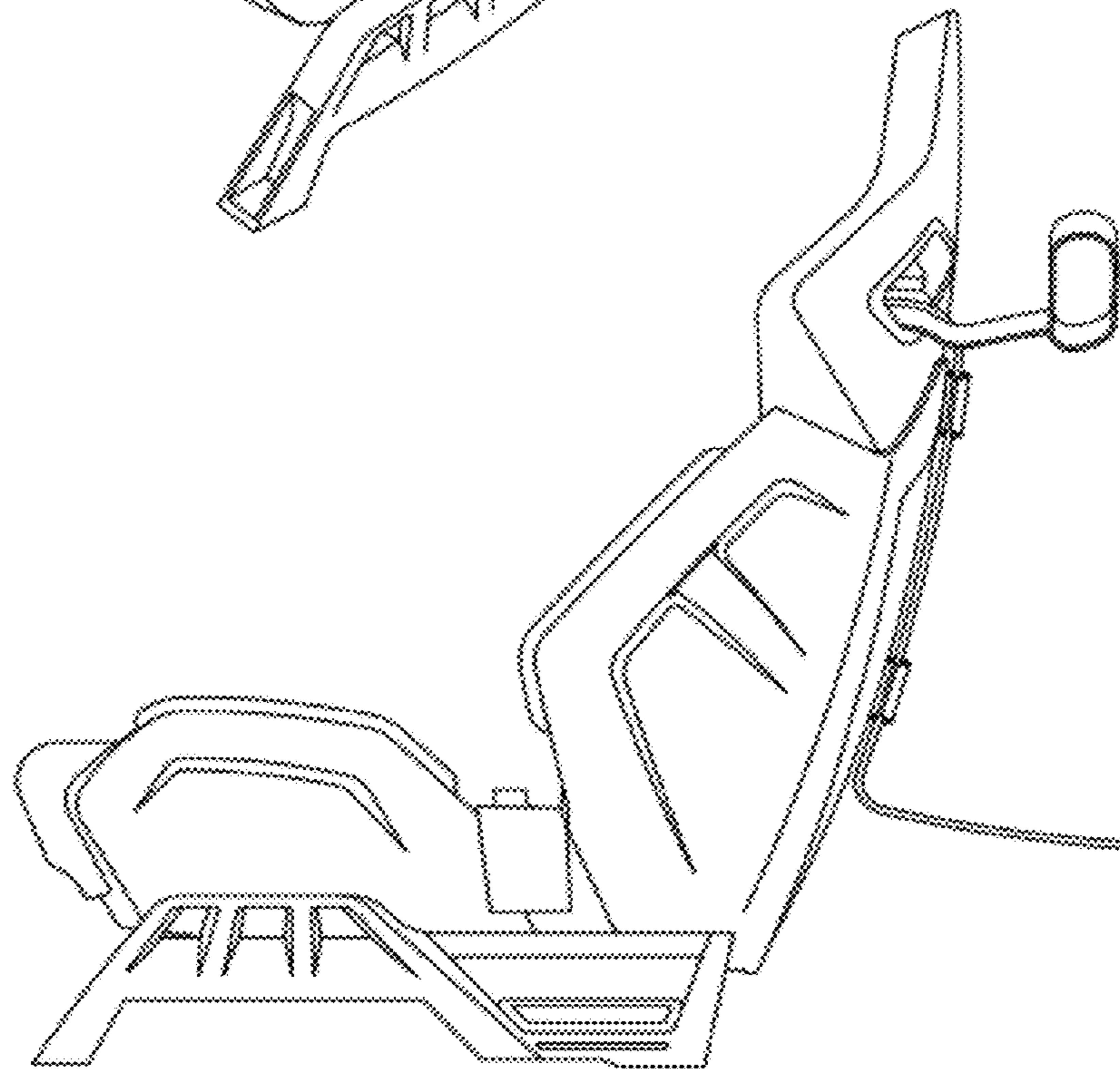


Fig-2

Fig-3

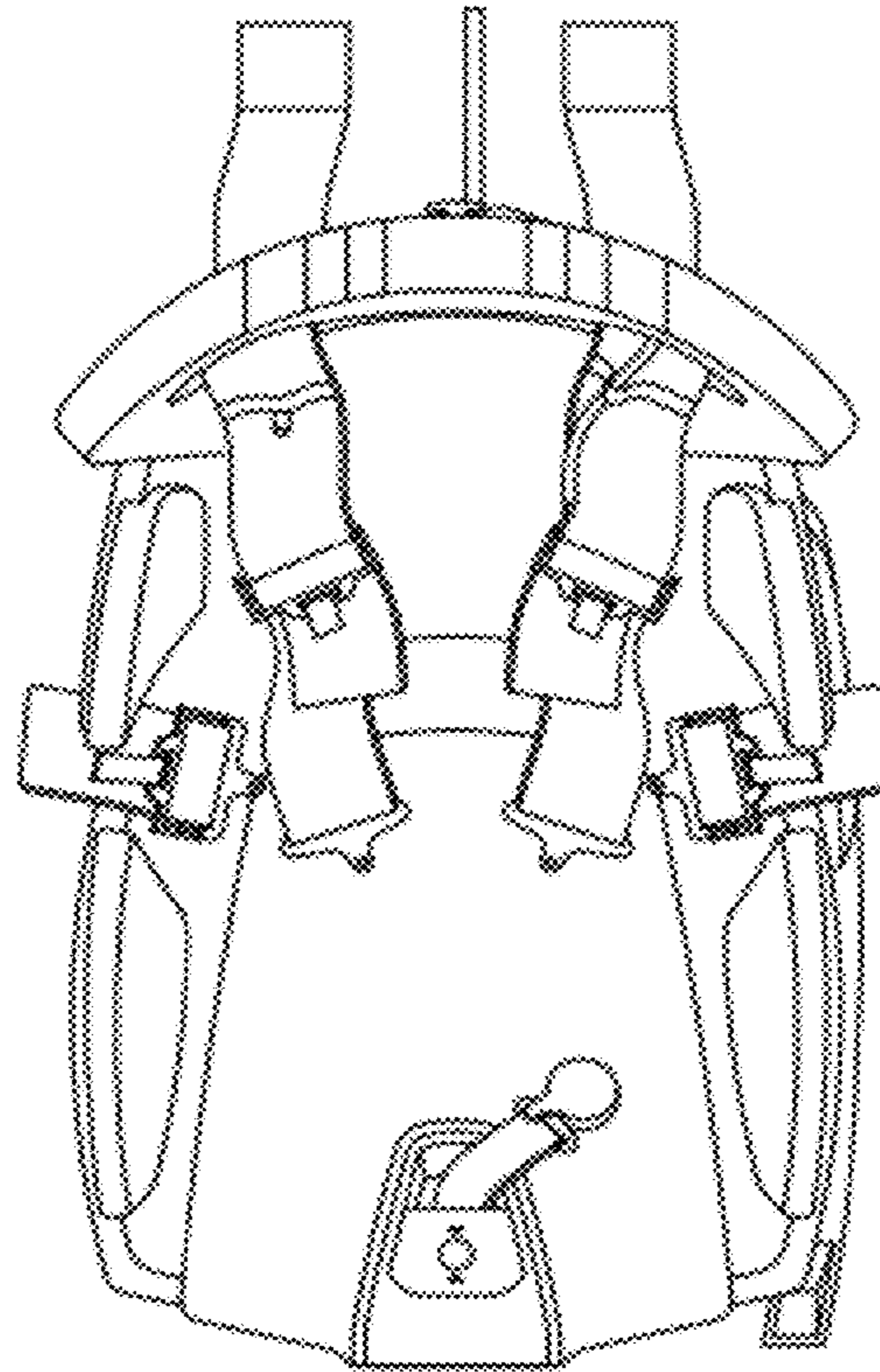


Fig-4

