



US00D656750S

(12) **United States Design Patent**  
**Porter et al.**

(10) **Patent No.:** **US D656,750 S**  
(45) **Date of Patent:** **\*\* Apr. 3, 2012**

(54) **AIRCRAFT SEAT**

(75) Inventors: **Glen Wilson Porter**, Christchurch (NZ);  
**Victoria Anne Bamford**, Auckland  
(NZ); **Kerry Alan Reeves**, Auckland  
(NZ); **Stuart Anthony Eric Hilton**,  
Auckland (NZ)

(73) Assignee: **Air New Zealand Limited**, Auckland  
(NZ)

(\*\*) Term: **14 Years**

(21) Appl. No.: **29/387,187**

(22) Filed: **Mar. 10, 2011**

**Related U.S. Application Data**

(62) Division of application No. 29/354,349, filed on Jan.  
22, 2010.

(30) **Foreign Application Priority Data**

Dec. 10, 2009 (NZ) ..... 413078  
Dec. 10, 2009 (NZ) ..... 413079  
Dec. 10, 2009 (NZ) ..... 413080  
Dec. 10, 2009 (NZ) ..... 413081  
Dec. 16, 2009 (NZ) ..... 413107  
Dec. 16, 2009 (NZ) ..... 413108

(51) **LOC (9) Cl.** ..... **06-01**

(52) **U.S. Cl.** ..... **D6/356**

(58) **Field of Classification Search** ..... D6/334–336,  
D6/356, 367, 377, 381, 500–502; D12/195,  
D12/345; 244/118.5–188.6, 122 R; 297/232,  
297/342, 354.1, 361.1

See application file for complete search history.

(56) **References Cited**

**U.S. PATENT DOCUMENTS**

2,414,730 A 1/1947 Flogaus  
2,947,349 A 8/1960 Kryter  
D273,157 S \* 3/1984 Staub ..... D6/356  
4,936,620 A 6/1990 Francois et al.

5,992,798 A 11/1999 Ferry  
6,059,364 A 5/2000 Dryburgh et al.  
6,170,786 B1 1/2001 Park et al.  
6,375,119 B2 4/2002 Park et al.  
D468,294 S \* 1/2003 Solland ..... D14/216  
6,742,842 B2 6/2004 Dowty  
D493,294 S \* 7/2004 Newson ..... D6/356  
6,793,282 B2 9/2004 Plant et al.  
D526,144 S \* 8/2006 Luebke ..... D6/500  
7,201,439 B2 4/2007 Schweizer  
7,252,332 B2 8/2007 Thompson  
7,448,575 B2 11/2008 Cheung et al.  
7,469,861 B2 12/2008 Ferry et al.  
7,472,957 B2 1/2009 Ferry et al.  
7,523,888 B2 4/2009 Ferry et al.  
D592,412 S \* 5/2009 Suge et al. .... D6/356

(Continued)

**FOREIGN PATENT DOCUMENTS**

AU 2007201819 5/2007

(Continued)

*Primary Examiner* — Kelley Donnelly

(74) *Attorney, Agent, or Firm* — Dann, Dorfman, Herrell  
and Skillman, P.C.

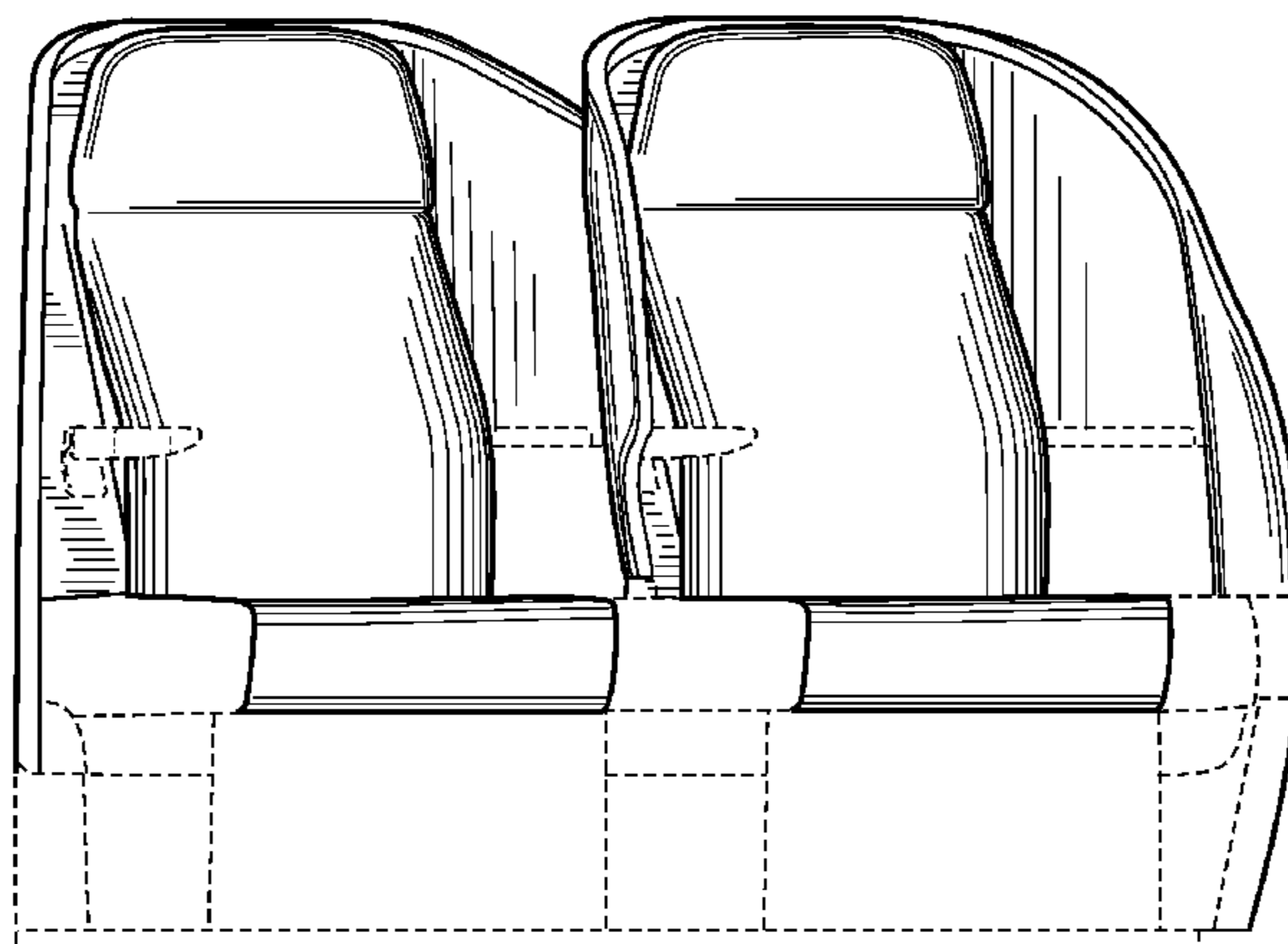
(57) **CLAIM**

We claim the ornamental design for an aircraft seat, as shown  
and described.

**DESCRIPTION**

FIG. 1 is a top plan view of a first embodiment of an aircraft  
seat embodying the design;  
FIG. 2 is a right side view thereof;  
FIG. 3 is a front perspective view thereof;  
FIG. 4 is a rear view thereof;  
FIG. 5 is a bottom front perspective view thereof;  
FIG. 6 is a top plan view of a second embodiment of an  
aircraft seat embodying the design;  
FIG. 7 is left side view thereof;  
FIG. 8 is a front perspective view thereof;  
FIG. 9 is a rear view thereof; and,  
FIG. 10 is a bottom front perspective view thereof.  
The broken line shown in FIGS. 1-10 is included for the  
purpose of illustrating environment of the article and forms  
no part of the claimed design.

**1 Claim, 10 Drawing Sheets**



# US D656,750 S

Page 2

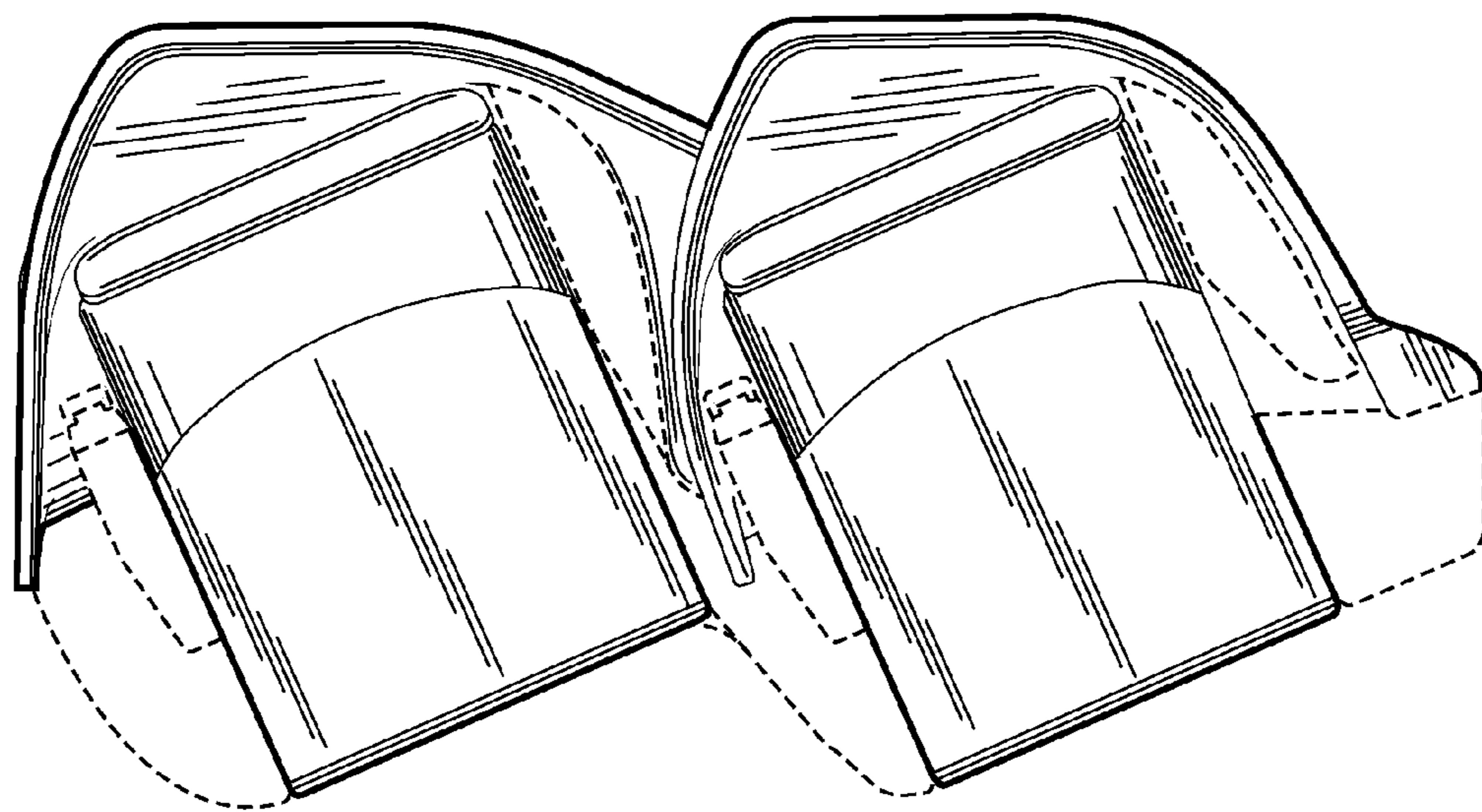
---

U.S. PATENT DOCUMENTS						
				DE	102006056898	6/2008
7,578,470	B2	8/2009	Plant	EP	0346299	12/1989
D611,260	S *	3/2010	Plant ..... D6/356	EP	0869060	10/1998
D611,400	S *	3/2010	Suge et al. .... D12/345	EP	0982226	1/2000
D613,529	S *	4/2010	Suge et al. .... D6/492	EP	0980825	2/2000
D614,879	S *	5/2010	Higashida et al. .... D6/356	EP	0980826	2/2000
D615,311	S *	5/2010	Fleming ..... D6/356	EP	1116654	7/2001
2001/0003962	A1	6/2001	Park et al.	EP	1417113	11/2005
2001/0015566	A1	8/2001	Park et al.	EP	1495908	5/2007
2003/0184957	A1	10/2003	Stahl et al.	GB	2288728	11/1995
2004/0232283	A1	11/2004	Ferry et al.	GB	2405791	3/2005
2007/0080566	A1	4/2007	Ferry et al.	GB	2437164	10/2007
2007/0246981	A1	10/2007	Plant	GB	2438162	11/2007
2007/0295863	A1	12/2007	Thompson	WO	0002745	1/2000
2008/0042010	A1	2/2008	Watanabe	WO	03013903	2/2003
2009/0050740	A1	2/2009	Saint-Jalmes et al.	WO	2008072328	6/2008
2009/0084897	A1	4/2009	Ferry et al.	WO	2009073244	6/2009
2010/0065684	A1	3/2010	Ruiter et al.			

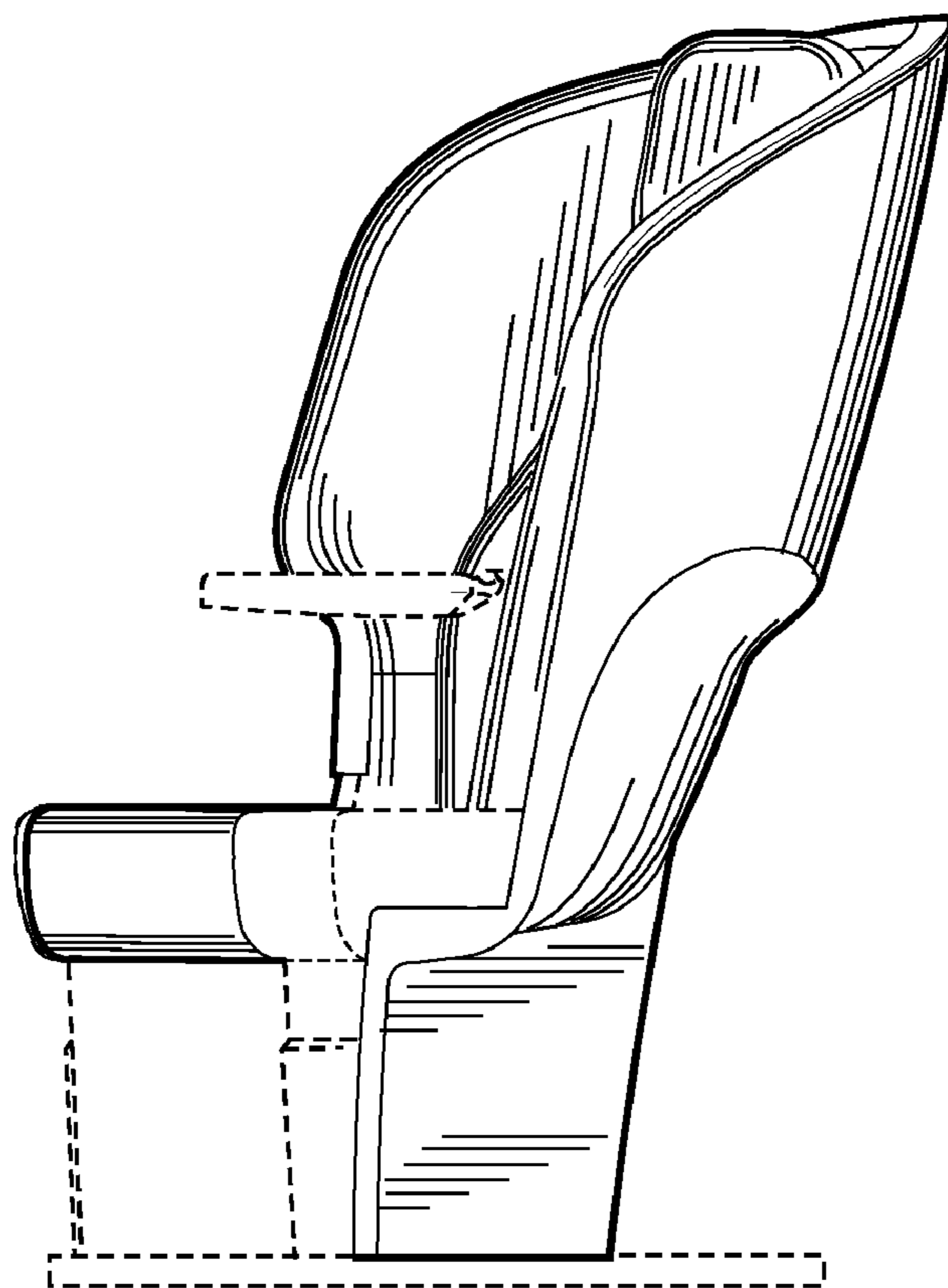
## FOREIGN PATENT DOCUMENTS

CA	2625280	2/2003
DE	3436509	4/1986

\* cited by examiner



**FIG. 1**



**FIG. 2**

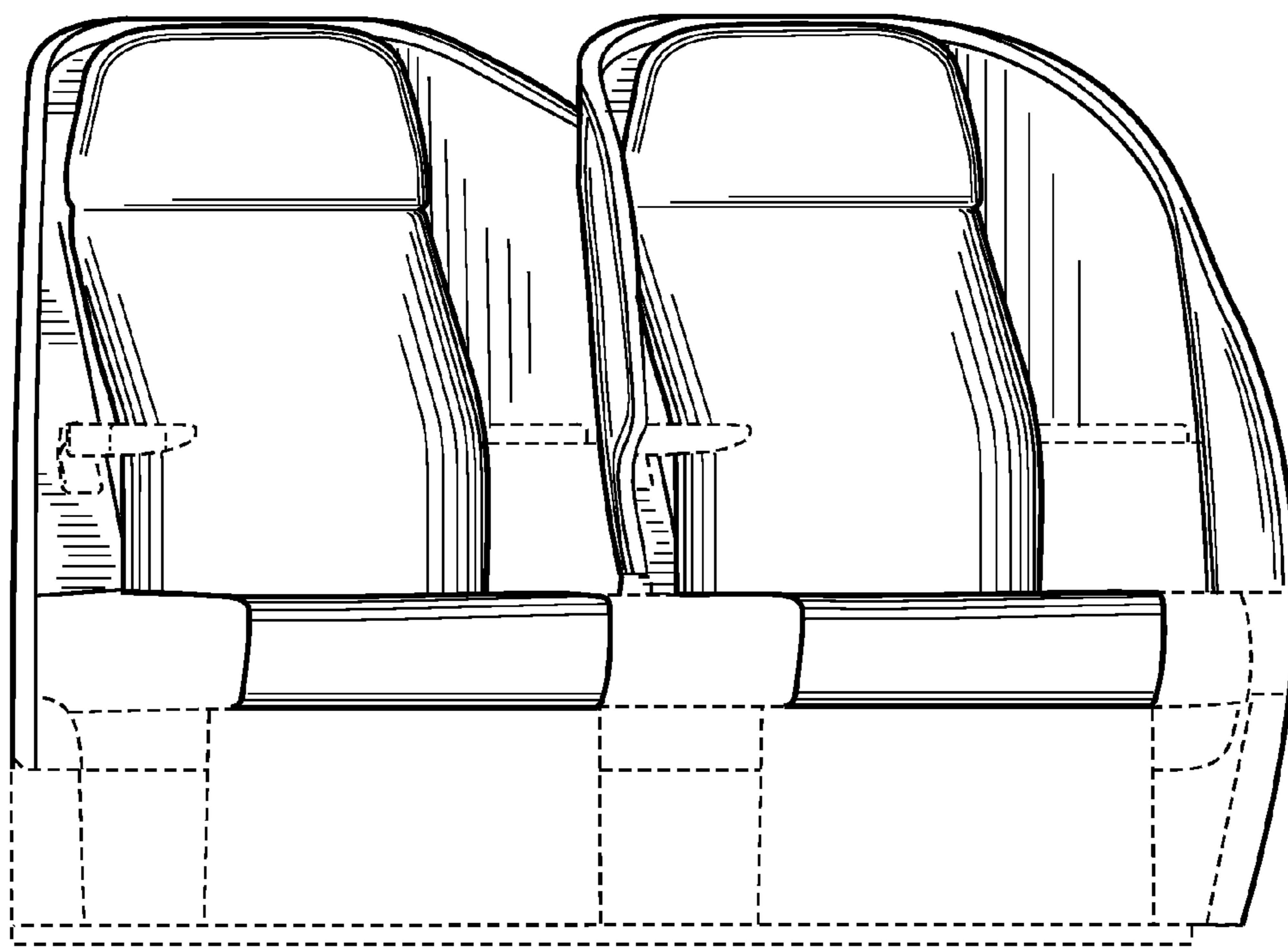


FIG. 3

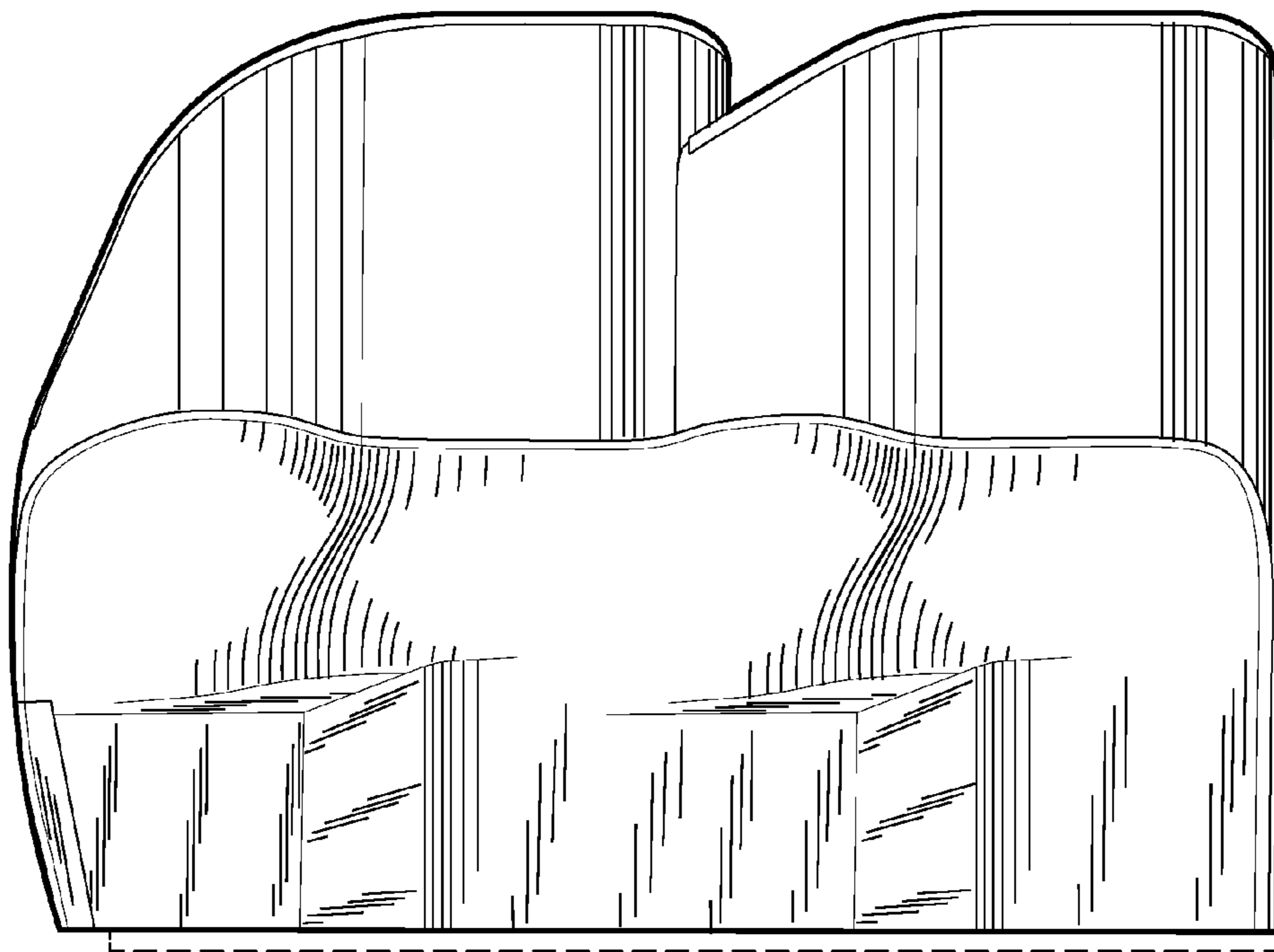
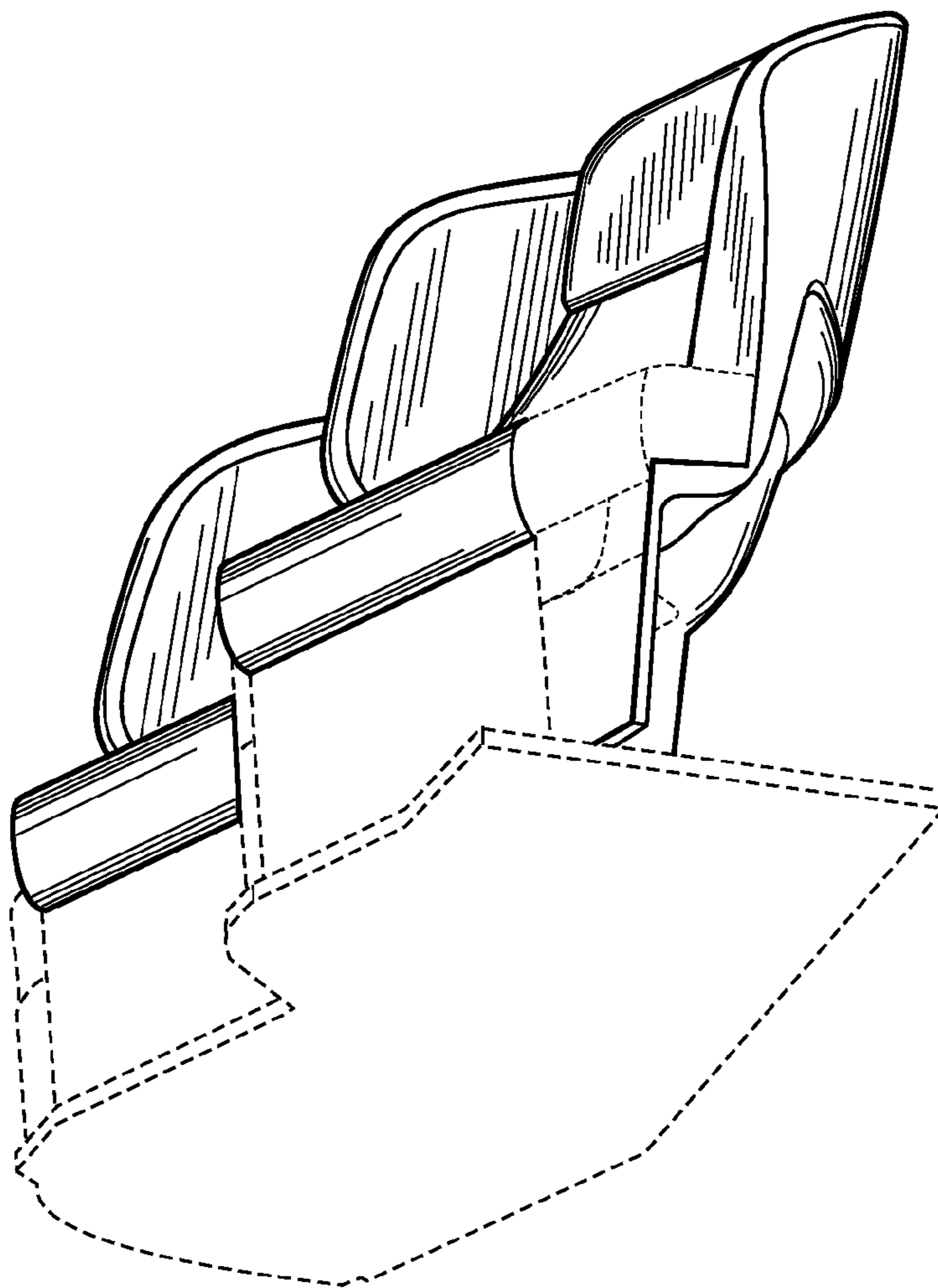
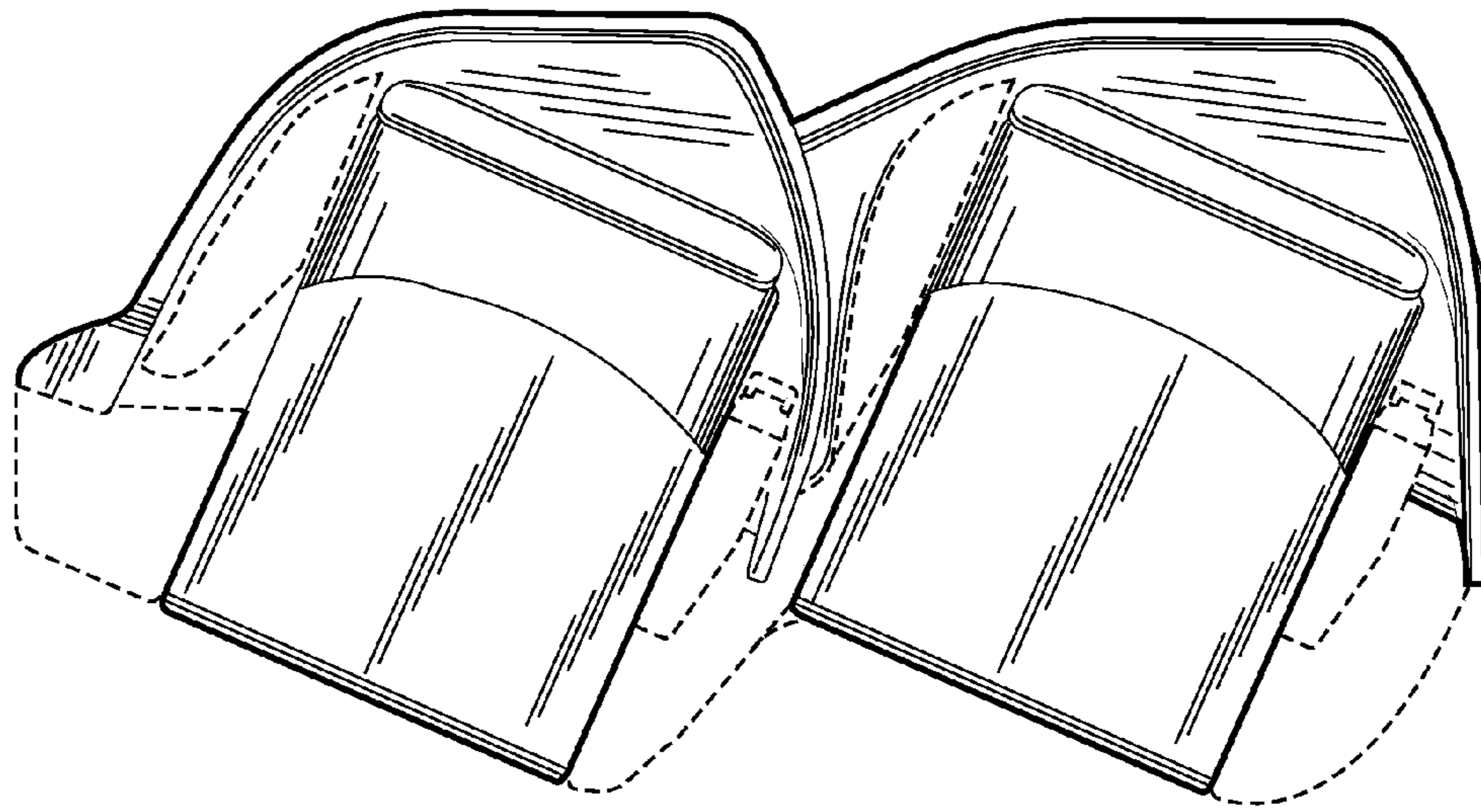


FIG. 4

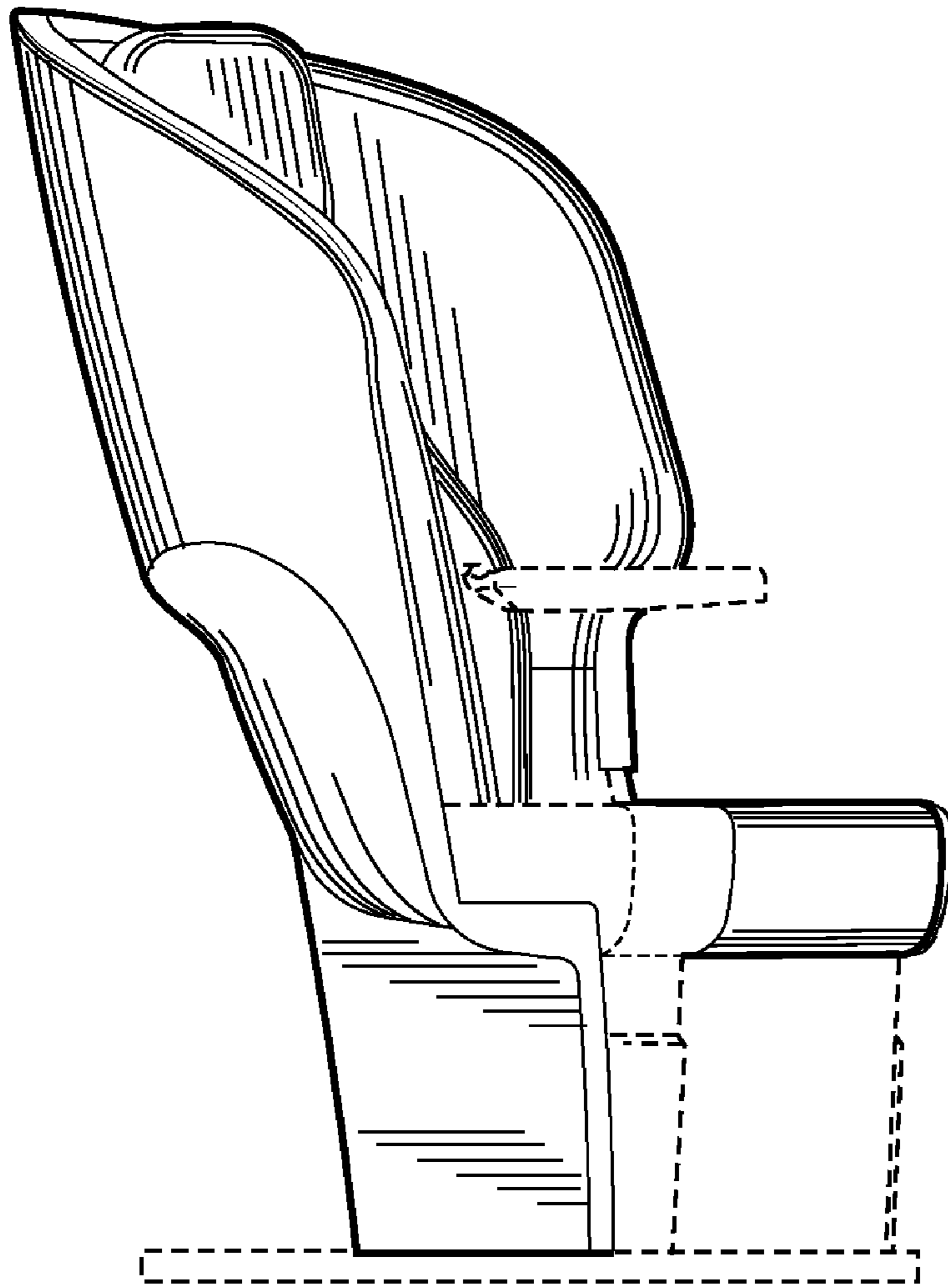


**FIG. 5**

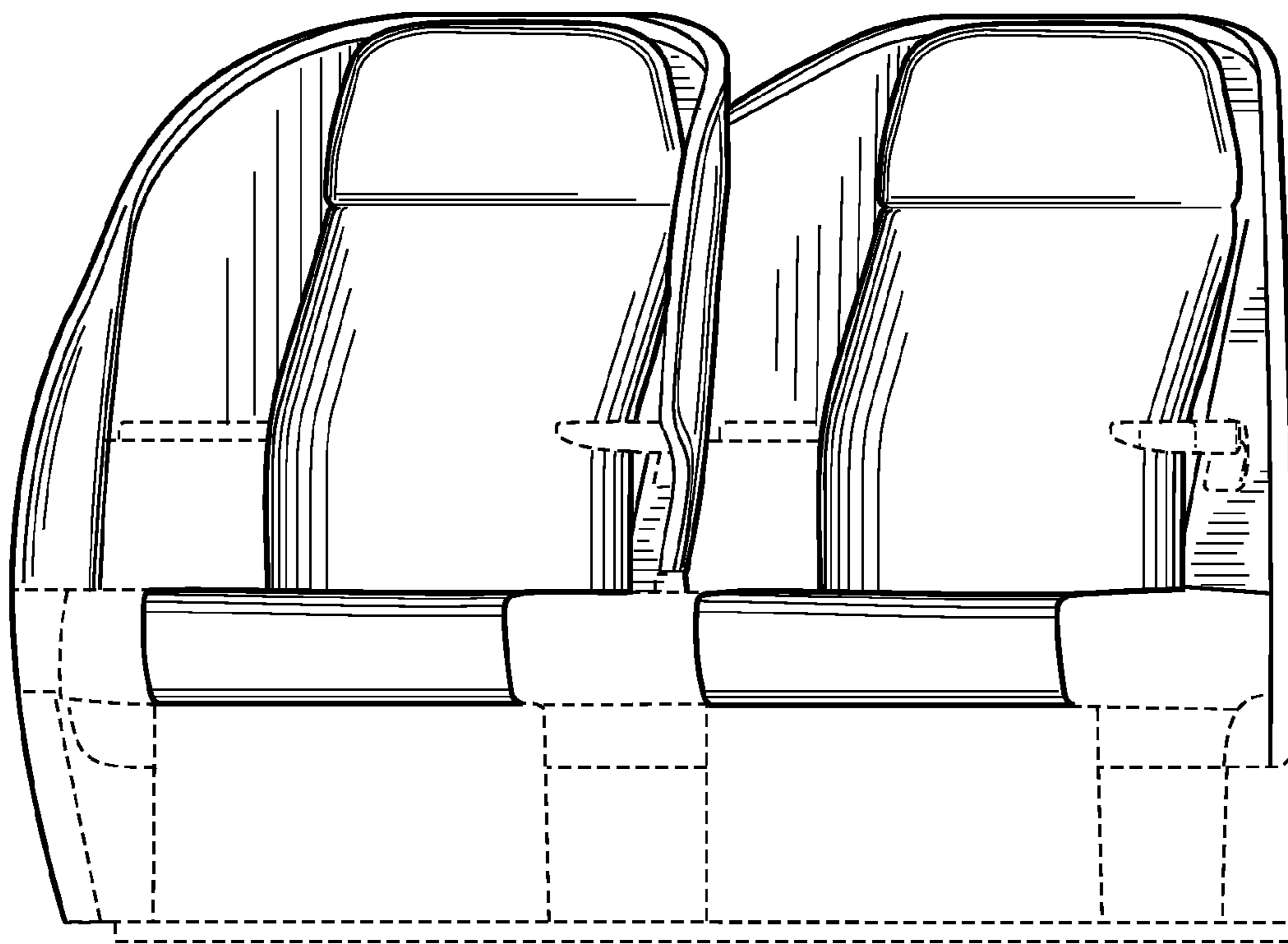


**FIG. 6**

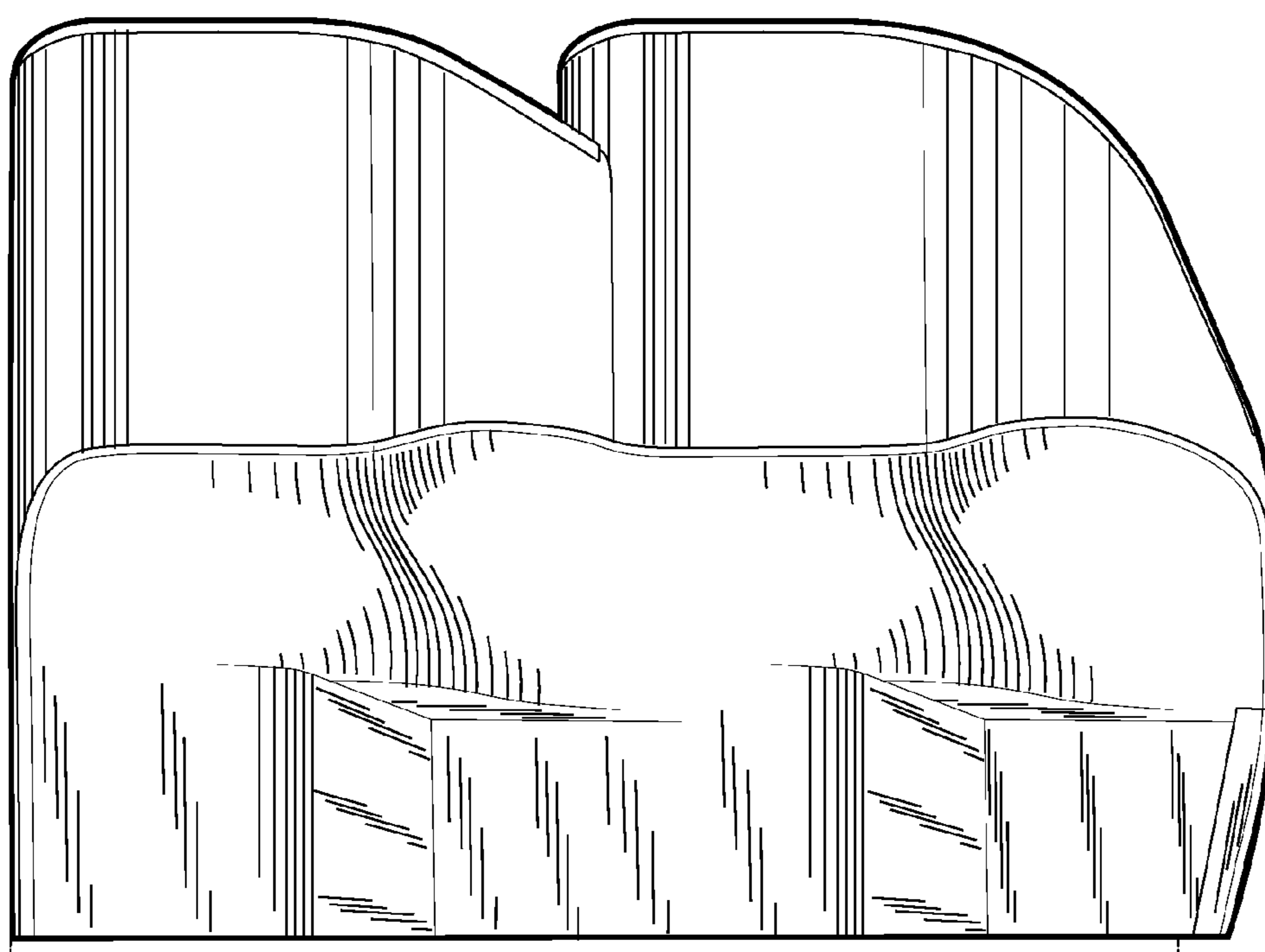




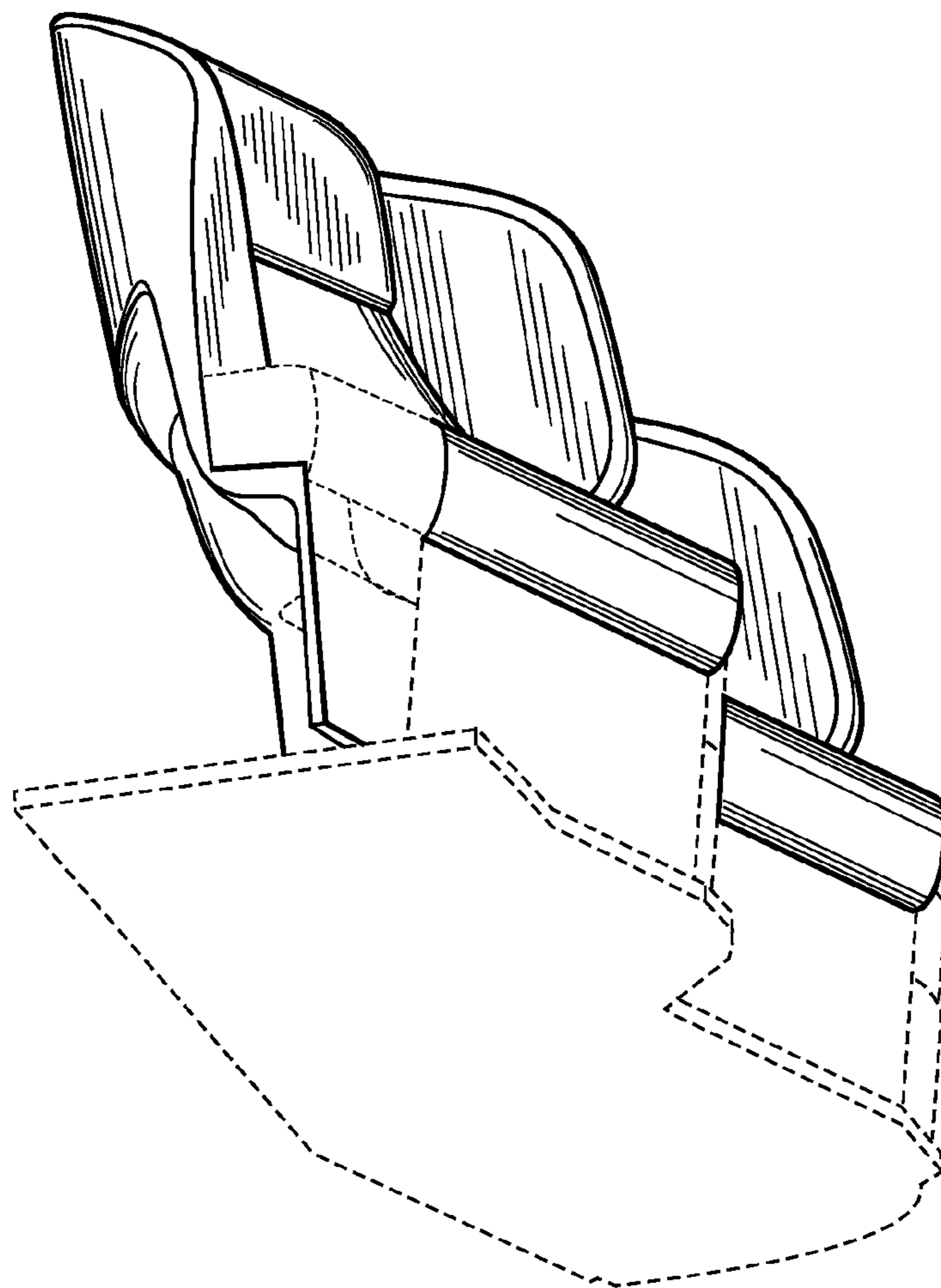
**FIG. 7**



**FIG. 8**



**FIG. 9**



**FIG. 10**