



US00D656747S

(12) **United States Design Patent**
Williams

(10) **Patent No.:** **US D656,747 S**
(45) **Date of Patent:** **** Apr. 3, 2012**

(54) **WALL VALET**

(75) Inventor: **Travis Williams**, San Antonio, TX (US)

(73) Assignee: **Travis Williams Enterprises Incorporated**, San Antonio, TX (US)

(**) Term: **14 Years**

(21) Appl. No.: **29/372,659**

(22) Filed: **Dec. 21, 2010**

(51) **LOC (9) Cl.** **06-08**

(52) **U.S. Cl.** **D6/320**

(58) **Field of Classification Search** D6/315-328;
211/13.1, 86.01, 85.3, 27, 87.01, 89.01, 90.01,
211/124; 248/121, 126, 317; 223/85
See application file for complete search history.

(56) **References Cited**

U.S. PATENT DOCUMENTS

D139,262	S	*	10/1944	Mallins	D6/320
4,027,934	A	*	6/1977	Wiser	312/321
D245,557	S	*	8/1977	Wiser	D6/321
D261,842	S	*	11/1981	Carr	D6/414
D281,203	S	*	11/1985	Nystrom	D6/324
4,998,603	A	*	3/1991	Nordstrom	190/18 A
5,447,216	A	*	9/1995	Freyvogel	190/18 A
5,628,551	A	*	5/1997	Block	312/235.7
D383,315	S	*	9/1997	Woodring	D6/315
5,950,845	A	*	9/1999	Harris	211/100

D440,443	S	*	4/2001	Sun et al.	D6/561
7,062,871	B1	*	6/2006	Smidt	38/104
7,451,879	B2	*	11/2008	Ford et al.	206/779

OTHER PUBLICATIONS

Antique Wall Mounted Valet, Denmark, 1960, 2 pages.

* cited by examiner

Primary Examiner — Prabhakar Deshmukh

(74) *Attorney, Agent, or Firm* — Charles D. Gunter, Jr.

(57) **CLAIM**

The ornamental design for a wall valet, as shown and described.

DESCRIPTION

FIG. 1 is a top perspective view of a wall valet showing my new design;

FIG. 2 is a top plan view thereof;

FIG. 3 is a right side elevational view thereof;

FIG. 4 is a left side elevational view thereof;

FIG. 5 is a front elevational view thereof;

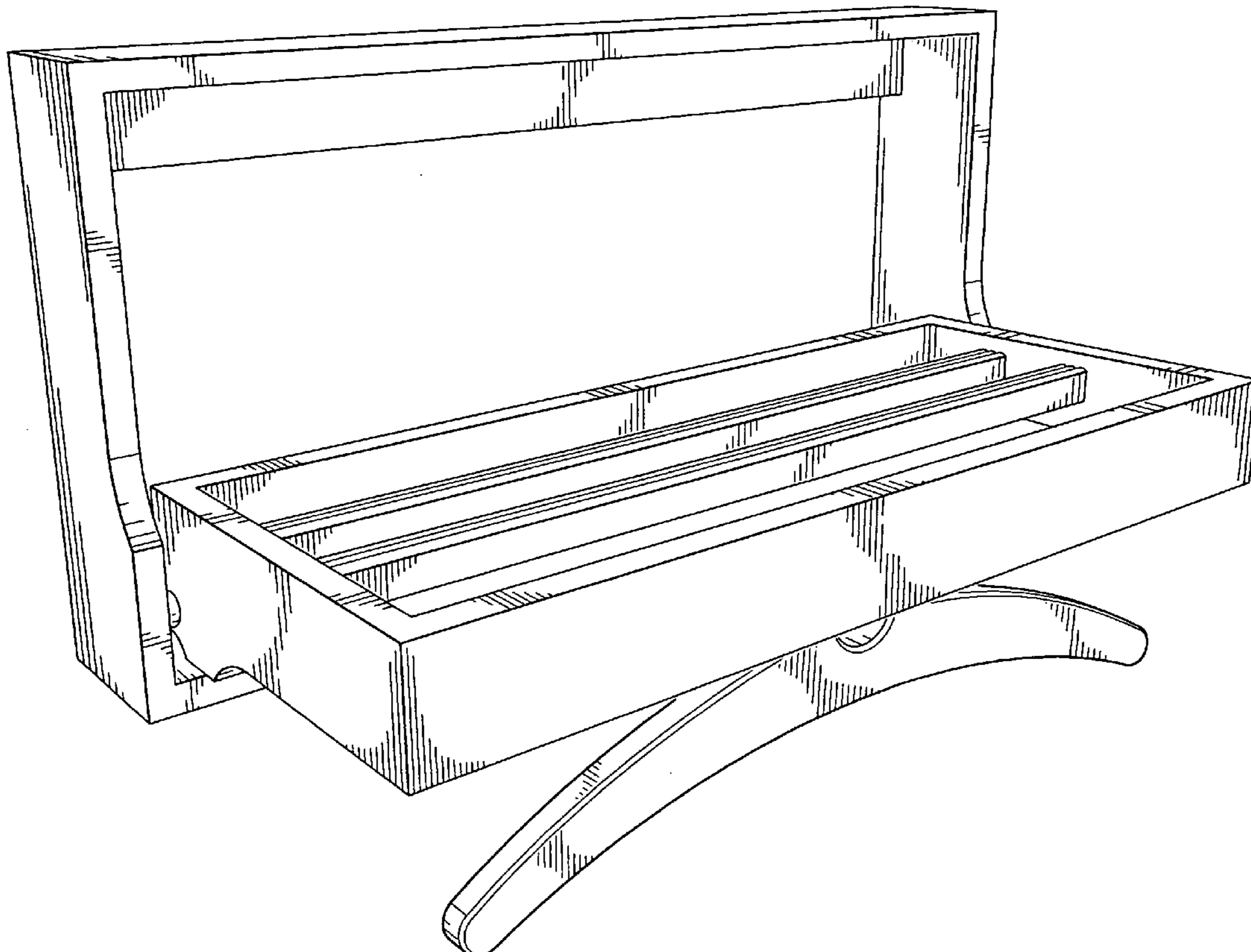
FIG. 6 is a bottom plan view thereof;

FIG. 7 is a rear elevational view thereof; and,

FIG. 8 is a top front perspective view thereof, shown in an open position.

The broken lines are for illustrative purpose only and form no part of the claimed design.

1 Claim, 5 Drawing Sheets



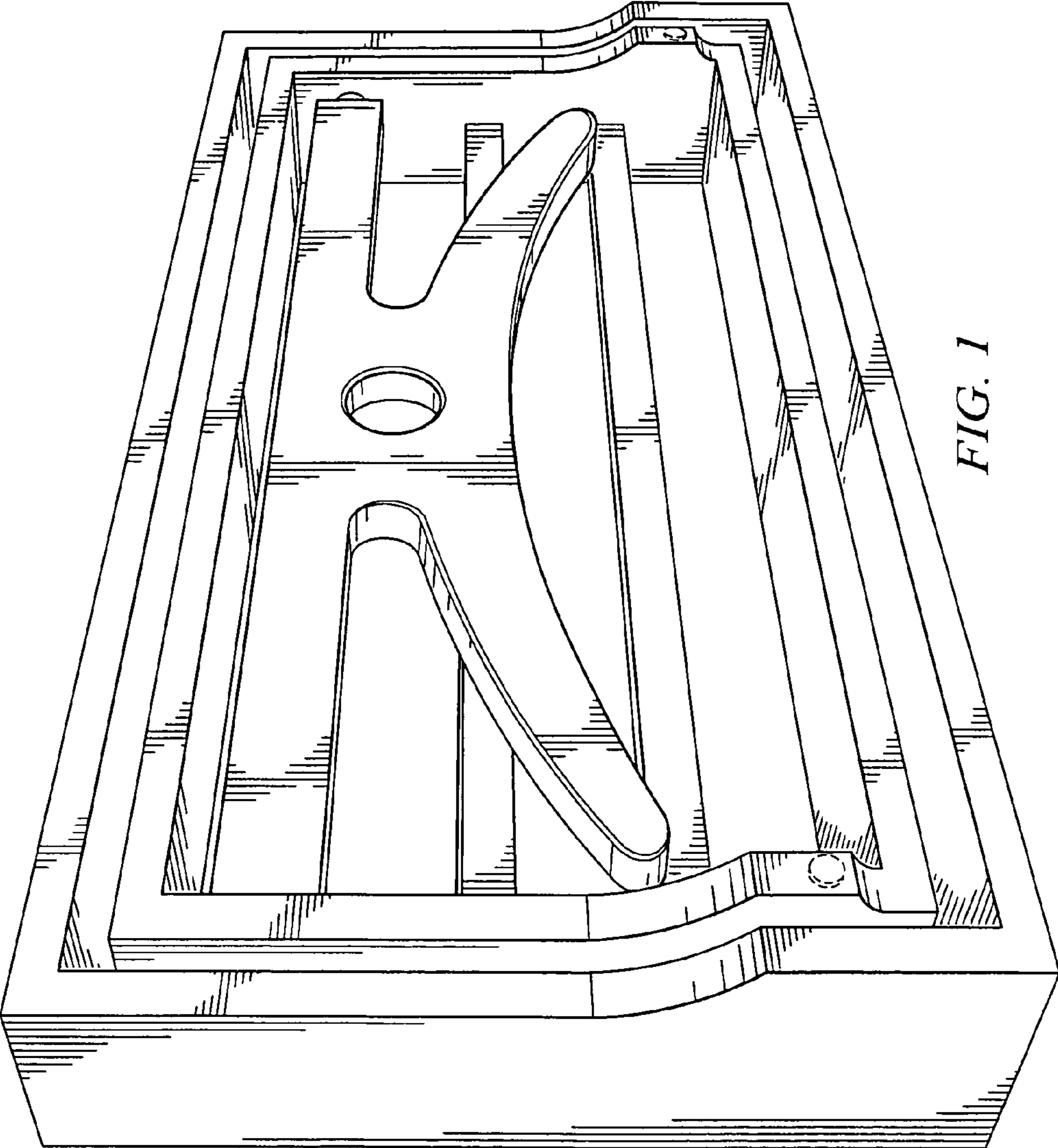


FIG. 1

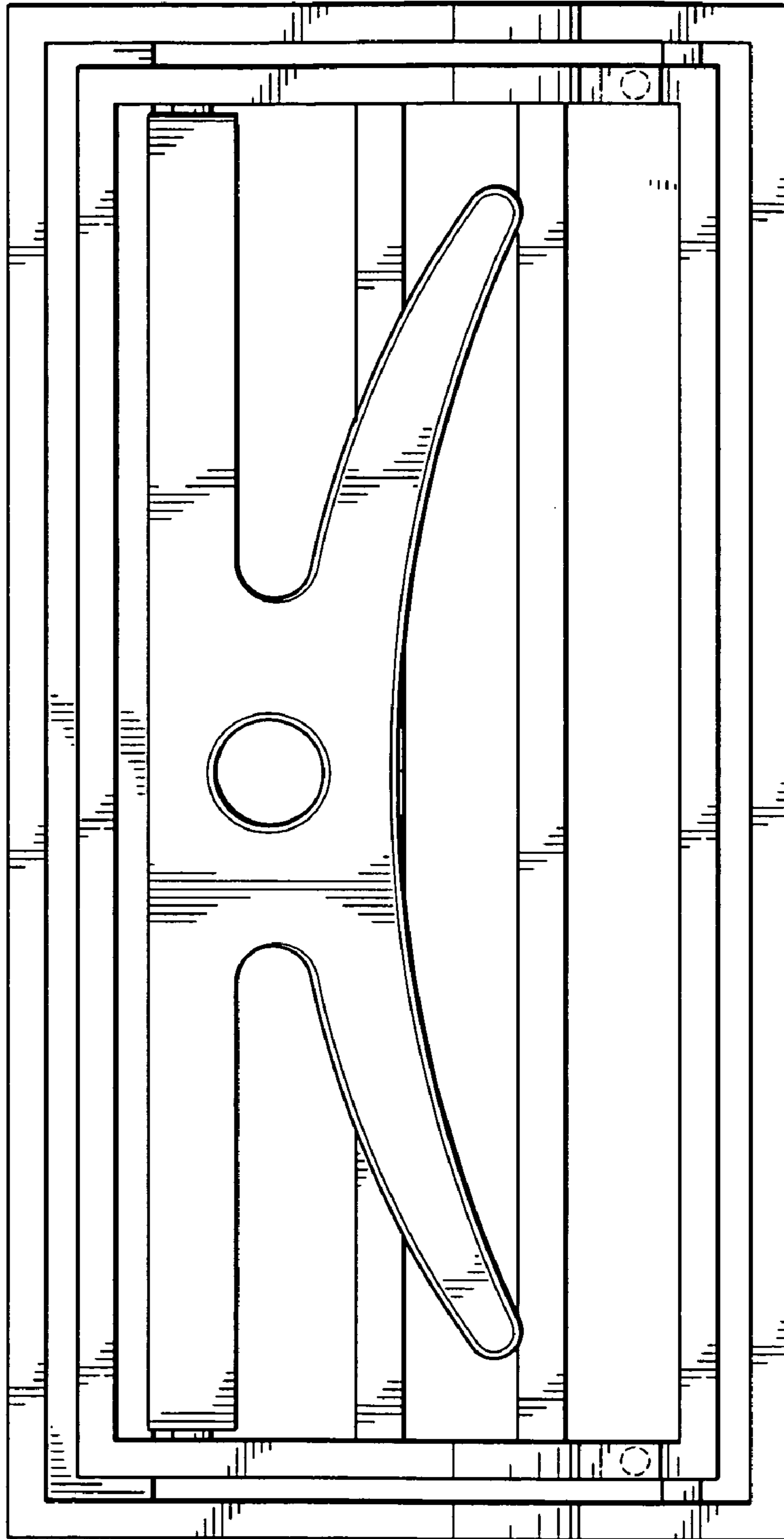


FIG. 2

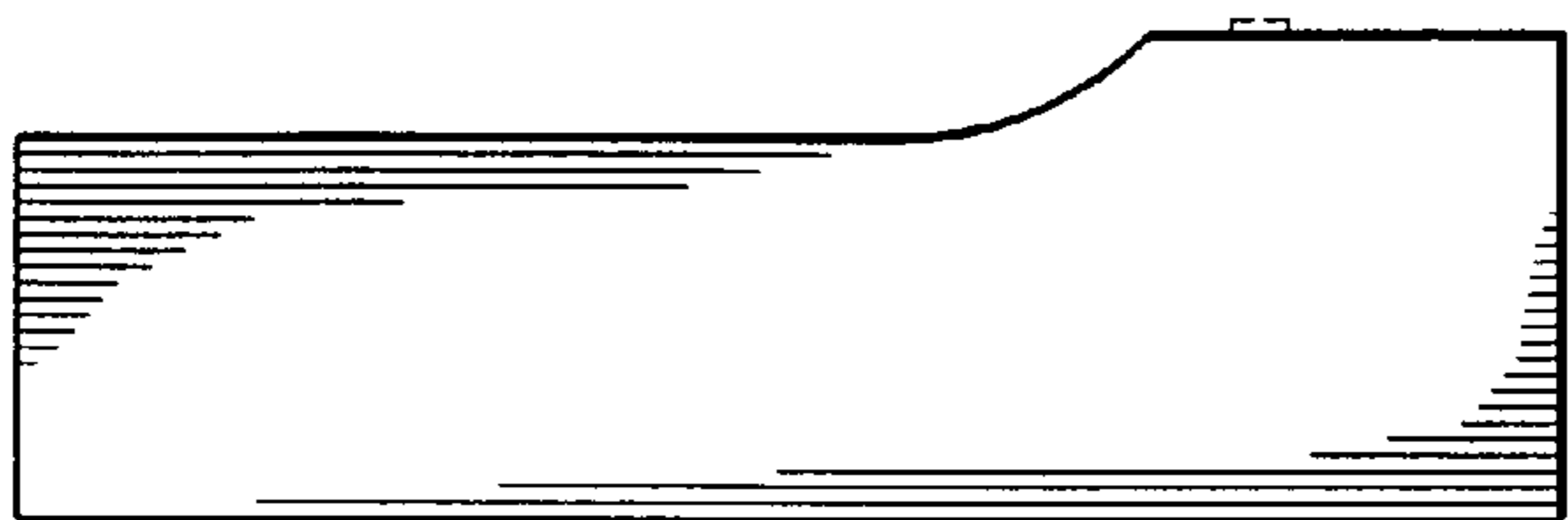


FIG. 4

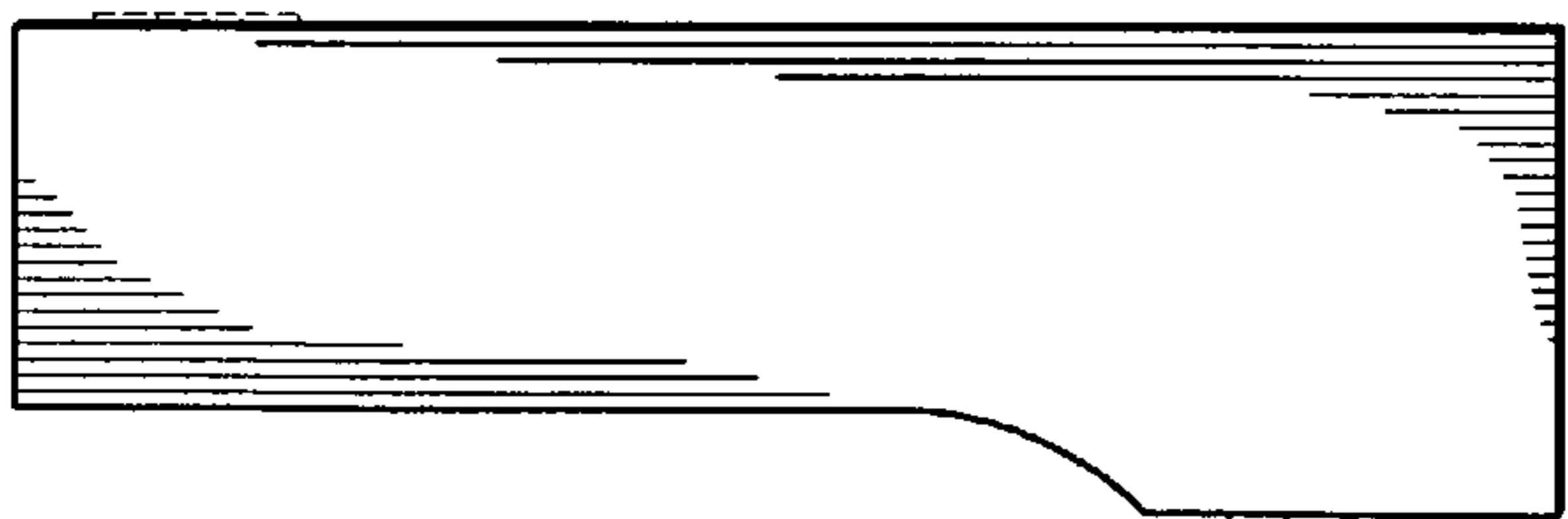


FIG. 3

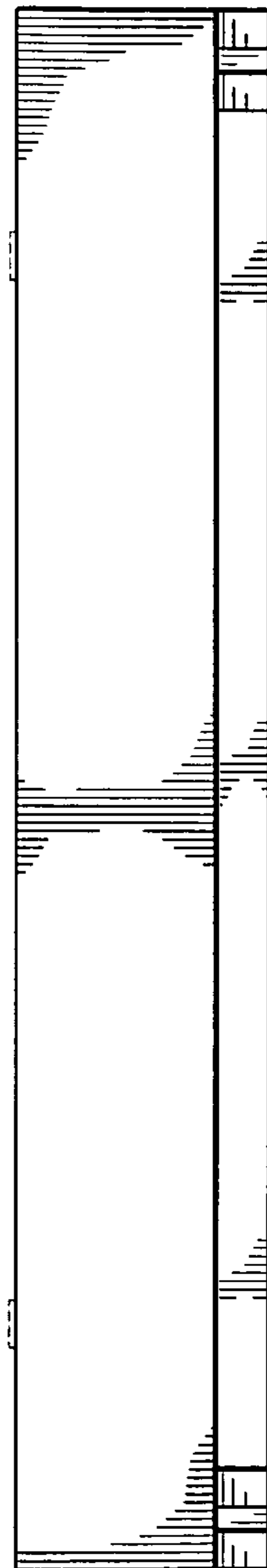


FIG. 5

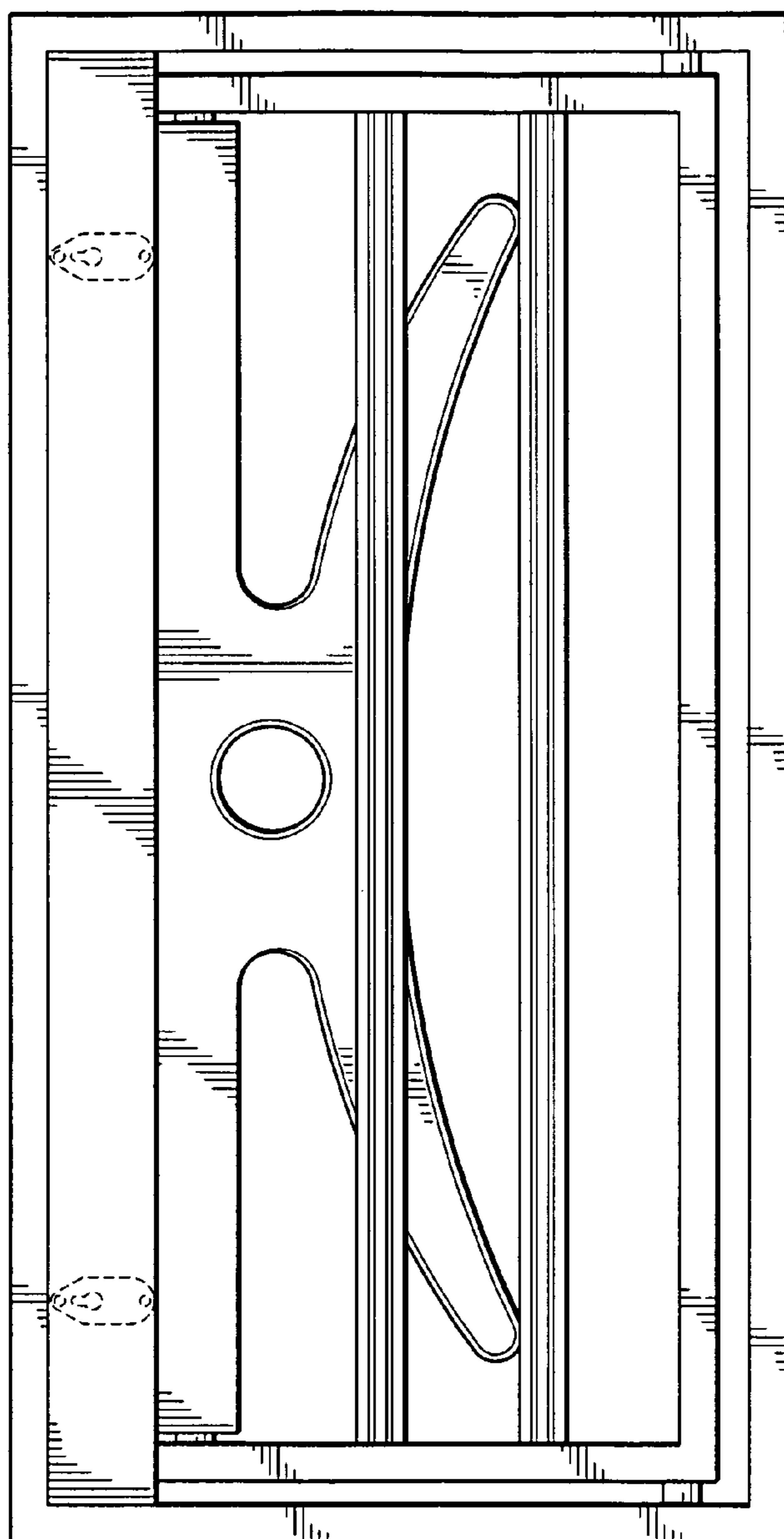


FIG. 6

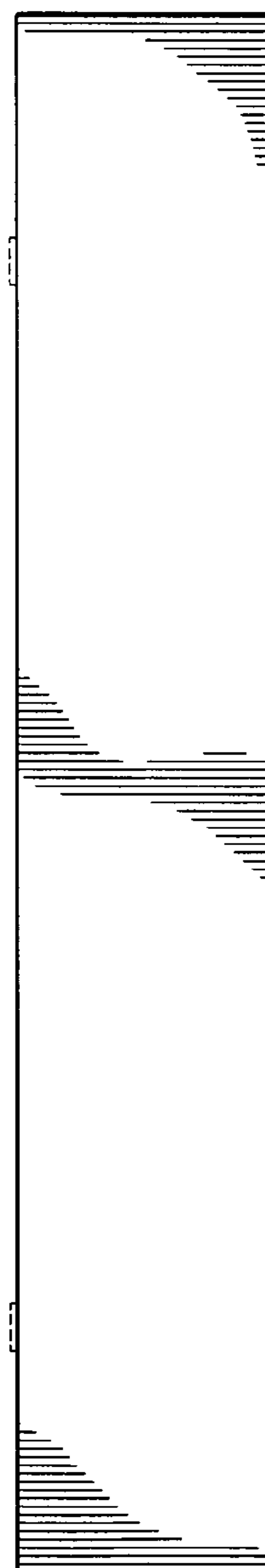


FIG. 7

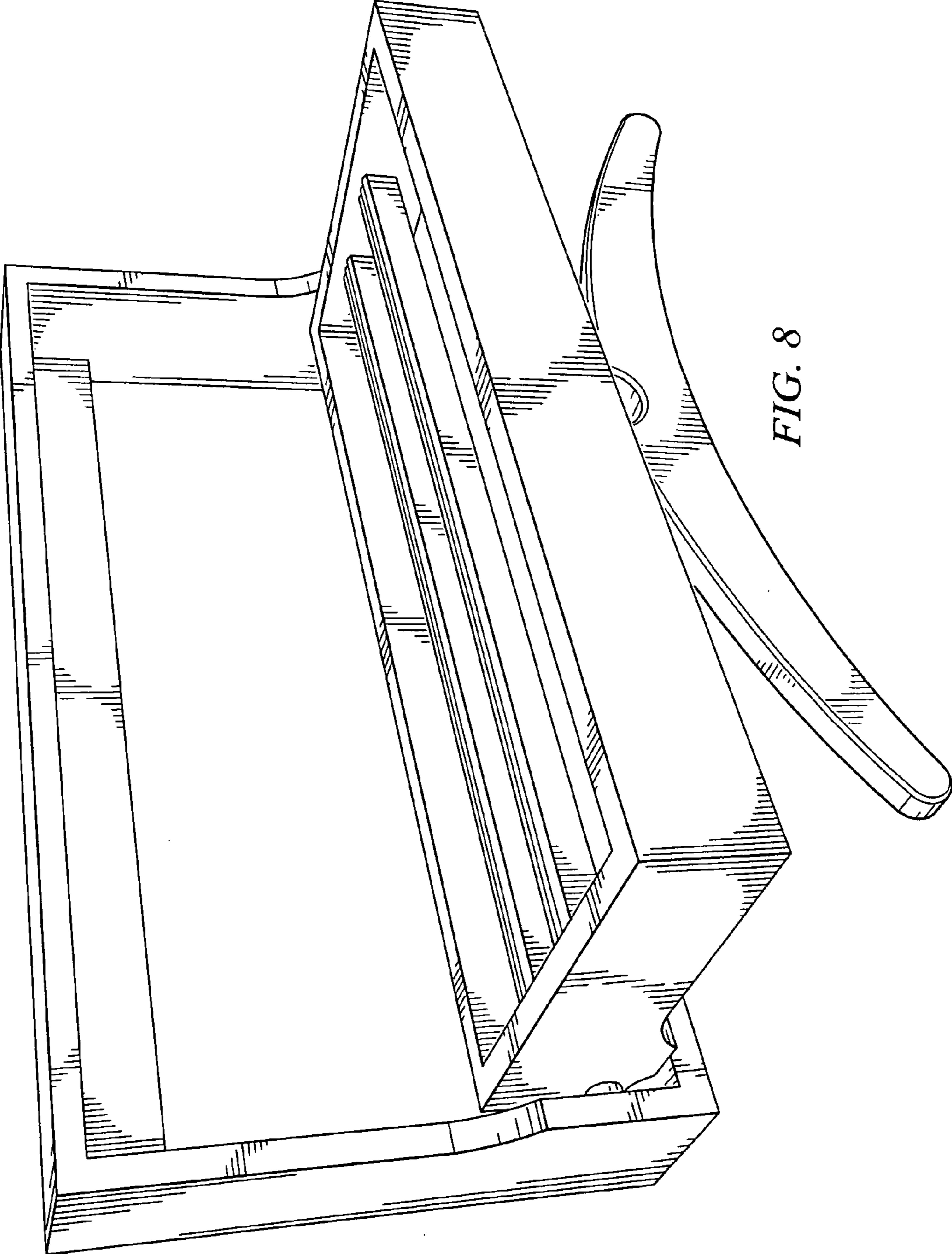


FIG. 8