



US00D656746S

(12) **United States Design Patent**
Mo

(10) **Patent No.:** **US D656,746 S**

(45) **Date of Patent:** **** Apr. 3, 2012**

(54) **HANGER**

(76) **Inventor:** **Au Yeung Mo**, Hong Kong (CN)

(**) **Term:** **14 Years**

(21) **Appl. No.:** **29/392,696**

(22) **Filed:** **May 25, 2011**

(51) **LOC (9) Cl.** **06-08**

(52) **U.S. Cl.** **D6/319**

(58) **Field of Classification Search** D6/315-328;
211/13.1, 85, 85.29, 85.31, 86.01, 119.01,
211/123, 124, 181.1; 223/85-98, DIG. 3

See application file for complete search history.

7,246,730 B2 * 7/2007 Russo 223/85
D591,519 S * 5/2009 Patel D6/319
D597,749 S * 8/2009 Heroux D6/319
D644,845 S * 9/2011 Brady D6/319

* cited by examiner

Primary Examiner — Prabhakar Deshmukh

(74) *Attorney, Agent, or Firm* — Jackson IPG PLLC;
Demian K. Jackson

(57) **CLAIM**

The ornamental design for a hanger, as shown and described.

DESCRIPTION

FIG. 1 is a front side perspective view of a hanger showing my new design;

FIG. 2 is a front elevational view thereof;

FIG. 3 is a rear elevational view thereof;

FIG. 4 is a left side elevational view thereof;

FIG. 5 is a right side elevational view thereof;

FIG. 6 is a top plan view thereof; and,

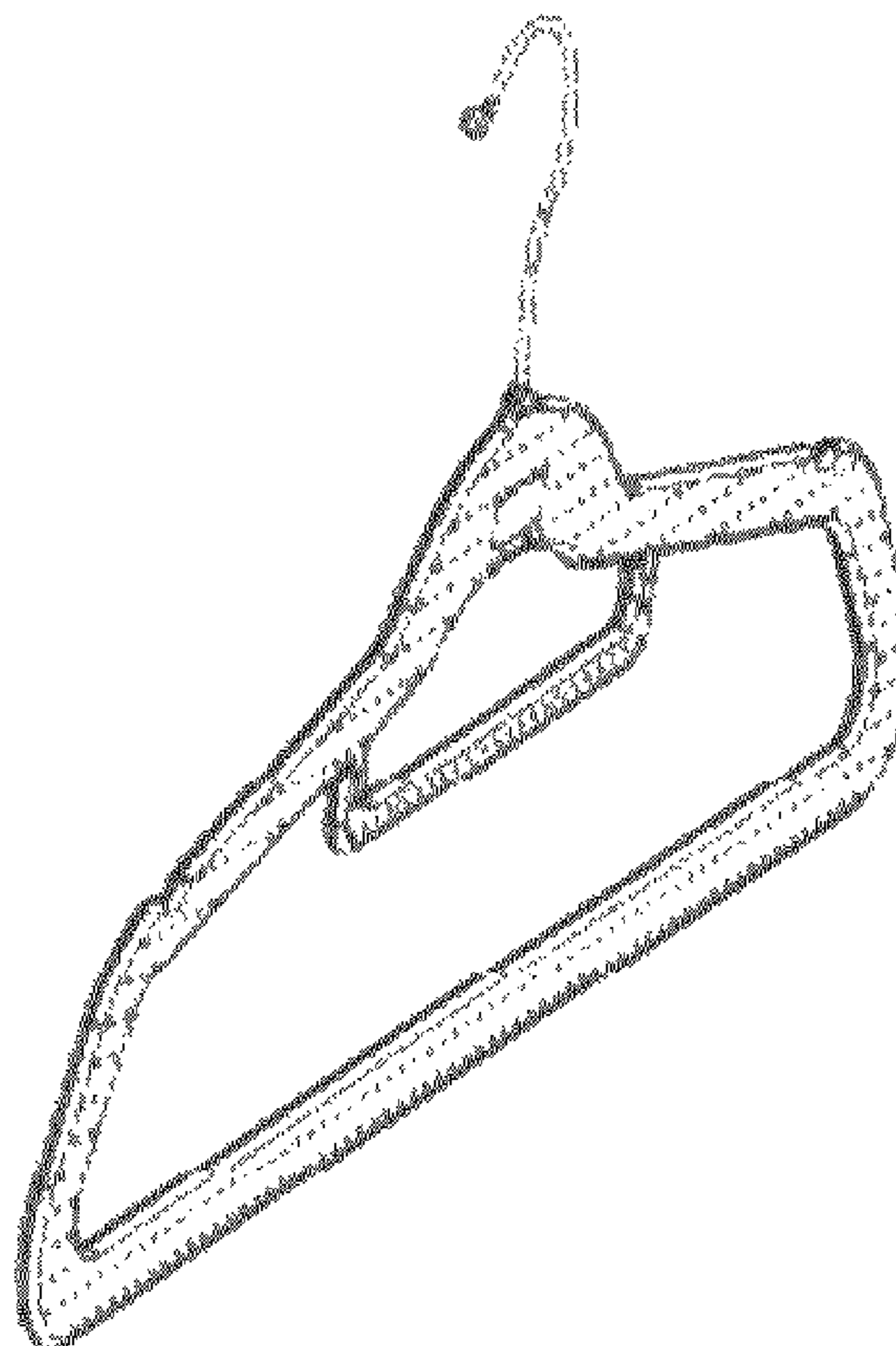
FIG. 7 is a bottom plan view thereof.

1 Claim, 4 Drawing Sheets

(56) **References Cited**

U.S. PATENT DOCUMENTS

2,656,077	A *	10/1953	Gensky et al.	223/91
4,310,096	A *	1/1982	Kohlhepp	211/87.01
D275,539	S *	9/1984	Mainetti	D6/319
4,673,114	A *	6/1987	Douglas	223/89
5,381,938	A *	1/1995	Vasudeva	223/85
D376,480	S *	12/1996	Whitehead et al.	D6/319
5,806,728	A *	9/1998	Forsstrom et al.	223/91
D419,310	S *	1/2000	Abdi	D6/317



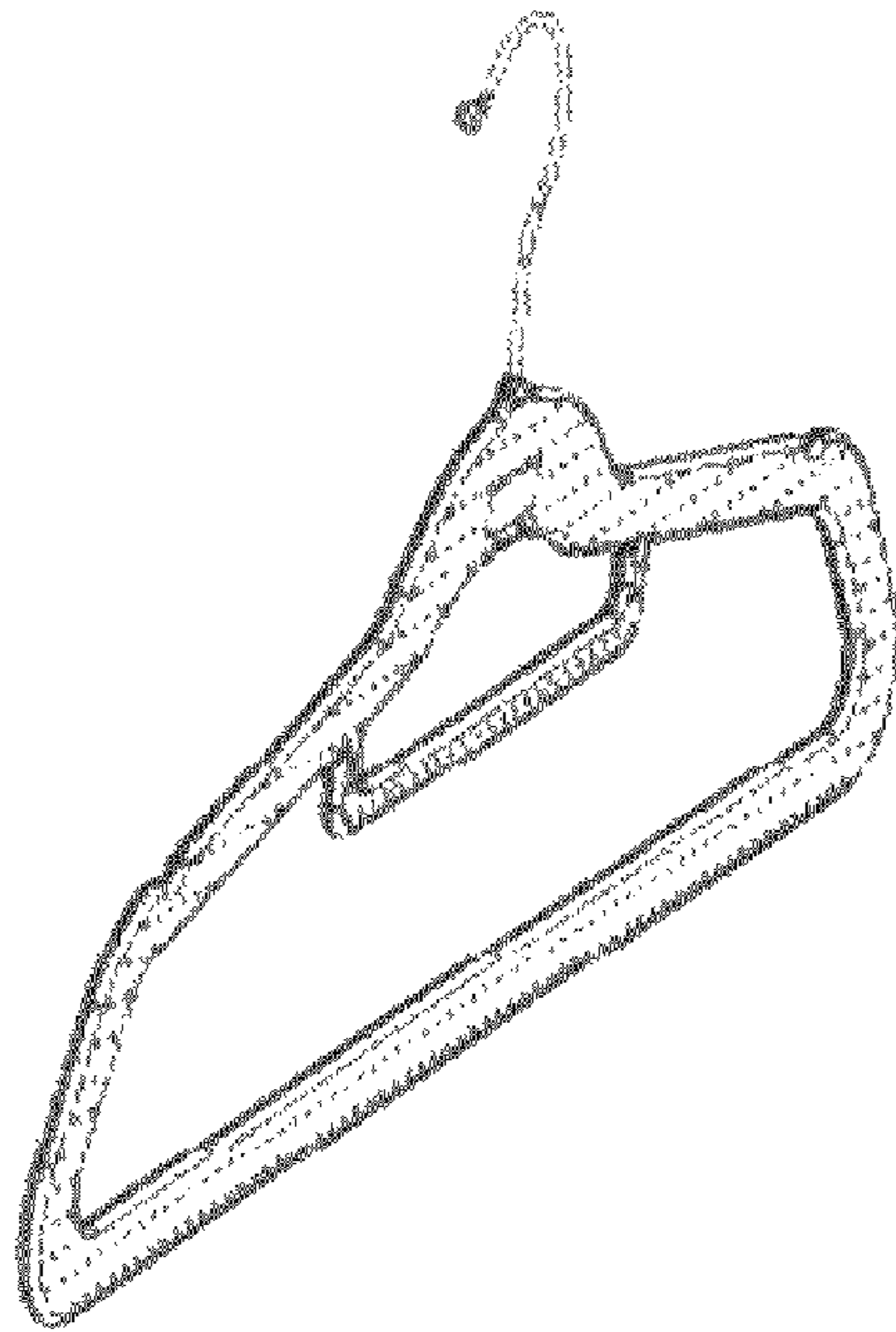


FIG. 1

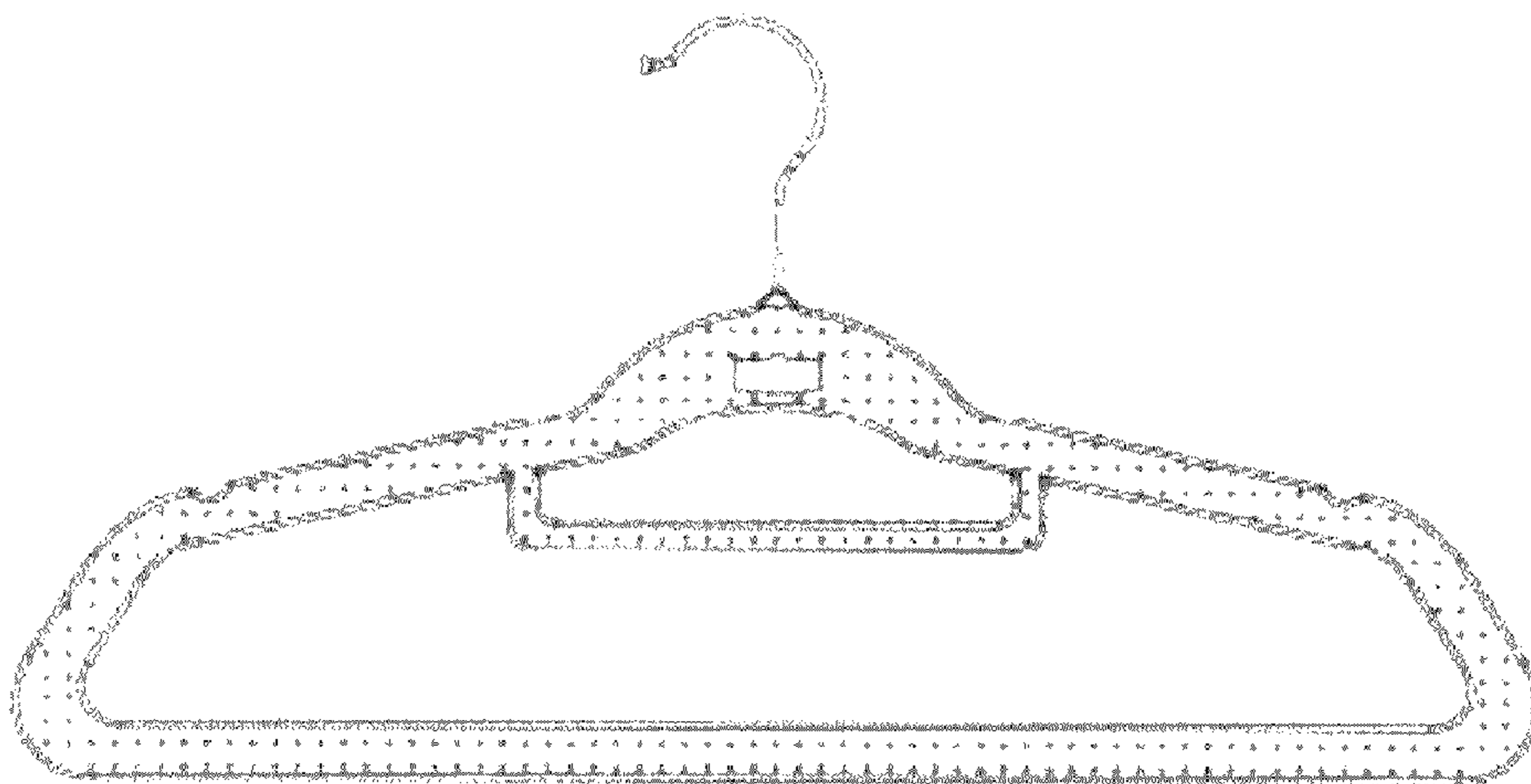


FIG. 2

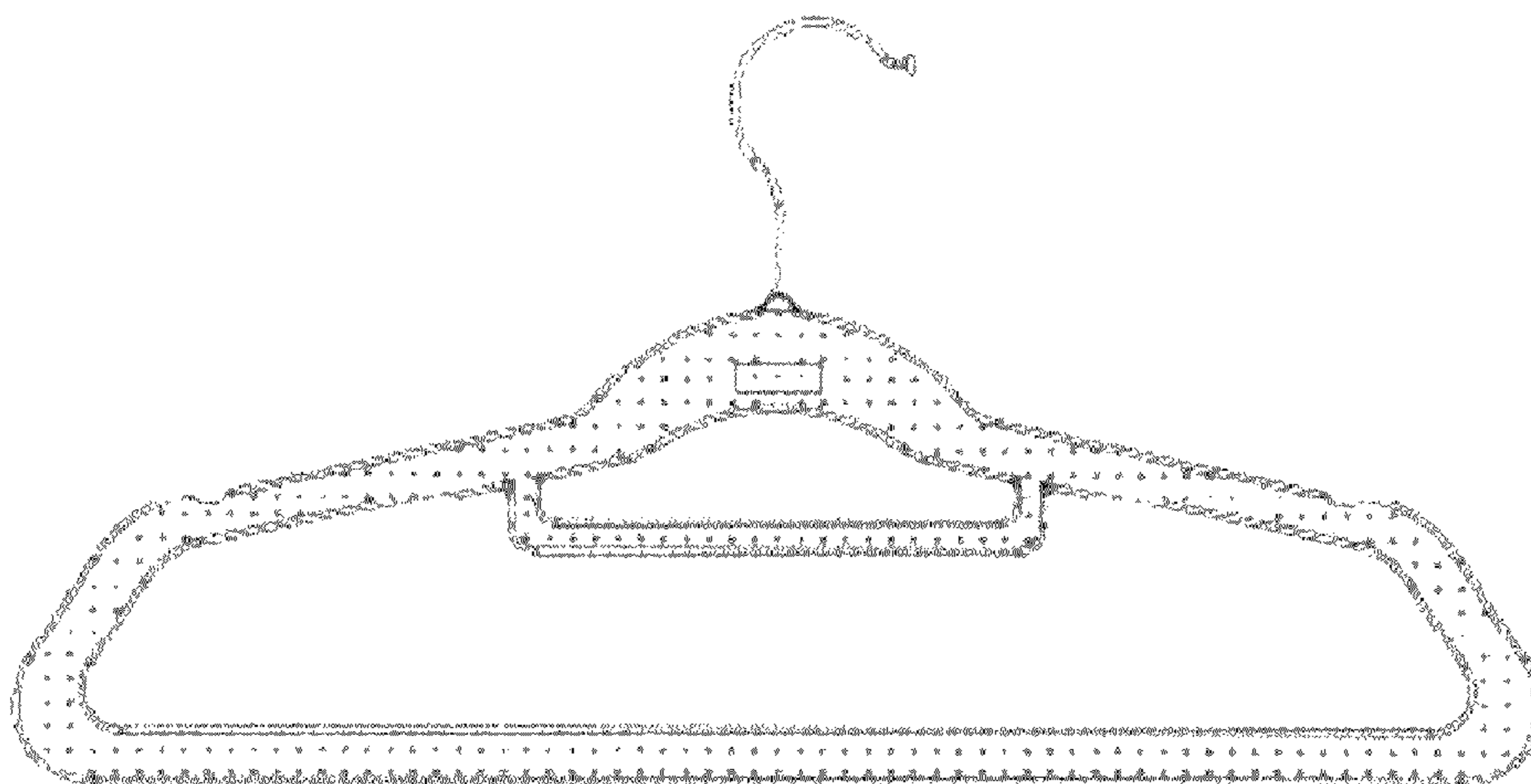


FIG. 3



FIG. 4



FIG. 5



FIG. 6



FIG. 7