



US00D656738S

(12) **United States Design Patent**
Limongi et al.

(10) **Patent No.:** **US D656,738 S**
(45) **Date of Patent:** **** Apr. 3, 2012**

(54) **MASCARA BRUSH**

(75) Inventors: **Michel Limongi**, Clichy (FR); **Oswaldo Uresti**, Paris (FR)

(73) Assignee: **Alcan Packaging Beauty Services**, Gennevilliers (FR)

(**) Term: **14 Years**

(21) Appl. No.: **29/377,417**

(22) Filed: **Oct. 21, 2010**

(30) **Foreign Application Priority Data**

Apr. 22, 2010 (EM) 1699026-0001

(51) **LOC (9) Cl.** **04-02**

(52) **U.S. Cl.** **D4/128**

(58) **Field of Classification Search** D4/114,
D4/115, 116, 122, 137, 132, 120, 121, 138,
D4/128, 131, 136, 133, 134, 135, 117, 118,
D4/119, 123, 127, 130, 199, 101; 132/218;
D23/225; D5/58; 15/104.002, 209.1, 118,
15/230.11, 244.2, 186, 116.2, 206; 92/169.1;
D28/7, 76; 401/219, 144, 15, 197, 145, 146,
401/218, 170, 268, 278; 119/628

See application file for complete search history.

(56) **References Cited**

U.S. PATENT DOCUMENTS

405,297	A *	6/1889	Bailey	15/104.16
5,709,230	A *	1/1998	Miraglia	132/218
RE38,397	E *	1/2004	Gueret	132/218
6,691,716	B2 *	2/2004	Neuner et al.	132/218
D521,737	S *	5/2006	Siemer	D4/111
D533,352	S *	12/2006	Bernini	D4/106
D564,233	S *	3/2008	Dumler et al.	D4/128
D568,613	S *	5/2008	Lou	D4/128
D570,117	S *	6/2008	Dumler et al.	D4/128
D574,155	S *	8/2008	Dumler et al.	D4/128
D579,208	S *	10/2008	Berhault	D4/128
D581,672	S *	12/2008	Dumler et al.	D4/128

D581,674	S *	12/2008	Dumler et al.	D4/128
D590,601	S *	4/2009	Schrepf	D4/128
D593,331	S *	6/2009	Berhault	D4/128
D600,923	S *	9/2009	Berhault	D4/128
D604,513	S *	11/2009	Lemen et al.	D4/128
D613,071	S *	4/2010	Berhault	D4/133
7,762,270	B2 *	7/2010	De Brouwer et al.	132/218
RE41,710	E *	9/2010	Dumler et al.	D4/128
7,841,348	B2 *	11/2010	Rebours	132/218
D631,664	S *	2/2011	Limongi et al.	D4/128
D632,086	S *	2/2011	Kulik	D4/128
D633,305	S *	3/2011	Pires et al.	D4/128
D634,127	S *	3/2011	Burgess et al.	D4/128
D637,004	S *	5/2011	Manici	D4/128
D639,564	S *	6/2011	Kulik	D4/128
D639,565	S *	6/2011	Kulik	D4/128
D642,805	S *	8/2011	Burgess et al.	D4/128
7,992,577	B2 *	8/2011	De Brouwer et al.	132/218
D645,664	S *	9/2011	Pires et al.	D4/133
2005/0034740	A1 *	2/2005	Eckers et al.	132/218
2006/0289027	A1 *	12/2006	Wyatt et al.	132/218
2008/0011317	A1 *	1/2008	Malvar et al.	132/218
2009/0065020	A1 *	3/2009	Butcher et al.	132/218
2009/0193602	A1 *	8/2009	Dumler et al.	15/160
2010/0224208	A1 *	9/2010	Thorpe et al.	132/218
2011/0229246	A1 *	9/2011	Kulik	401/129

* cited by examiner

Primary Examiner — Kevin Rudzinski

(74) *Attorney, Agent, or Firm* — Cooper & Dunham LLP

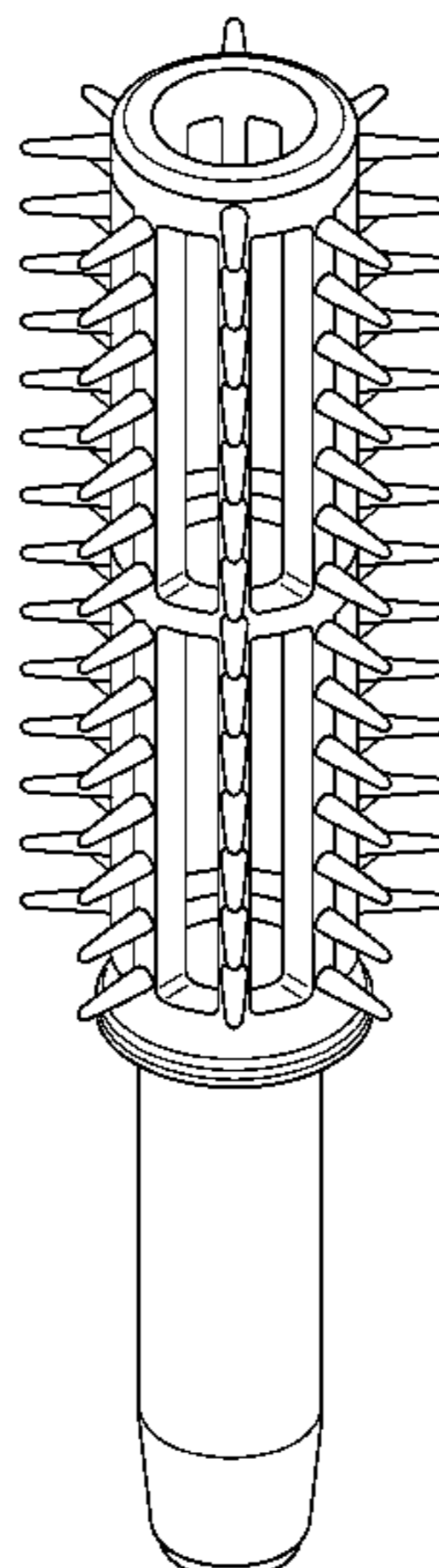
(57) **CLAIM**

The ornamental design for a mascara brush, as shown and described.

DESCRIPTION

FIG. 1 is a perspective view thereof;
FIG. 2 is a front view thereof;
FIG. 3 is a side view thereof;
FIG. 4 is the other side view thereof;
FIG. 5 is a rear view thereof;
FIG. 6 is a top view thereof; and,
FIG. 7 is a bottom view thereof.

1 Claim, 6 Drawing Sheets



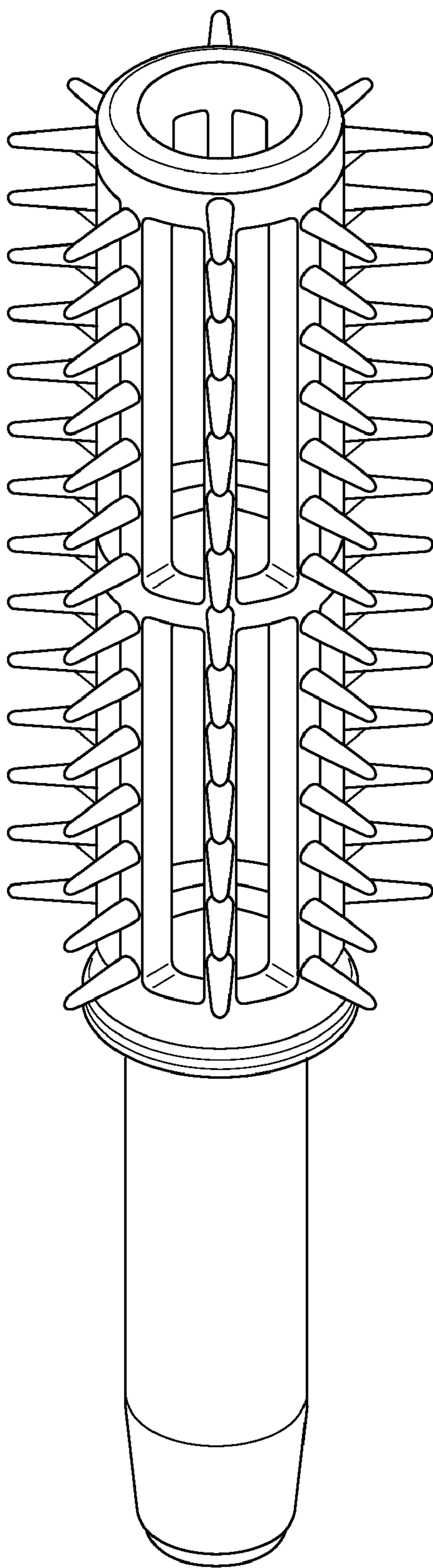


FIG. 1

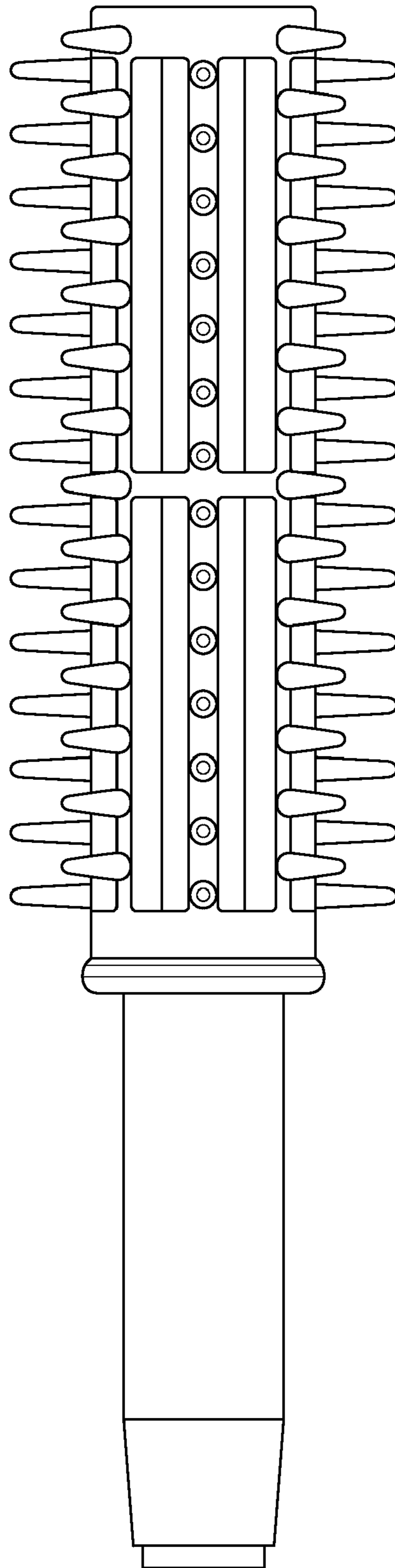


FIG. 2

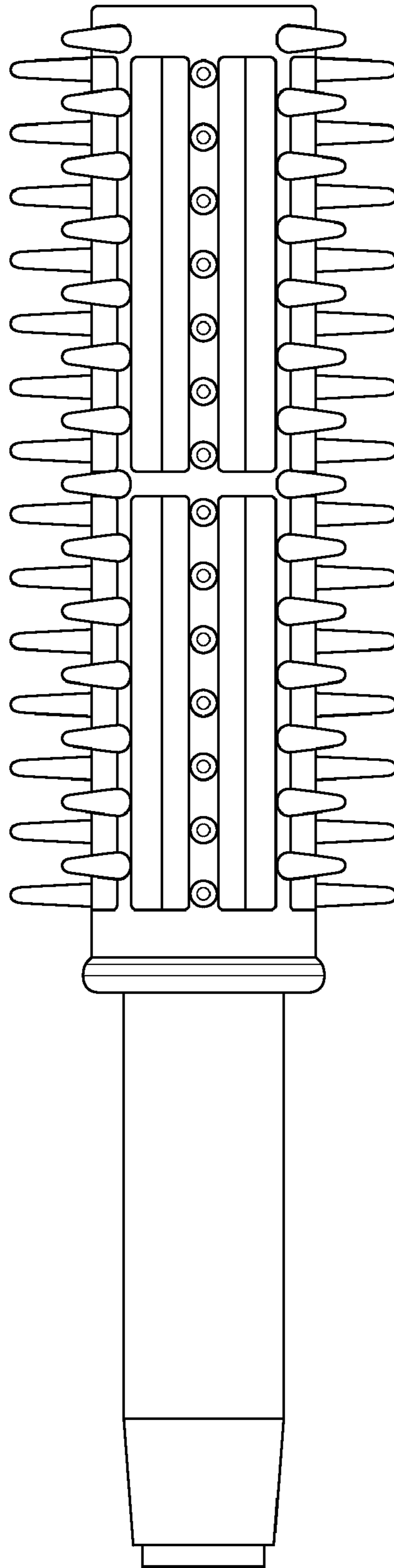


FIG. 3

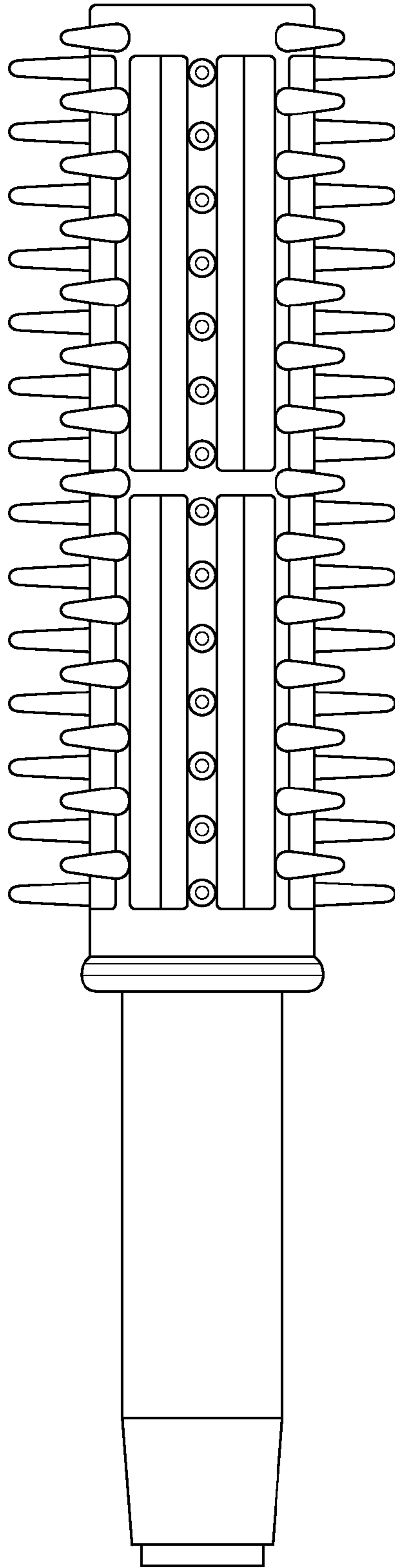


FIG. 4

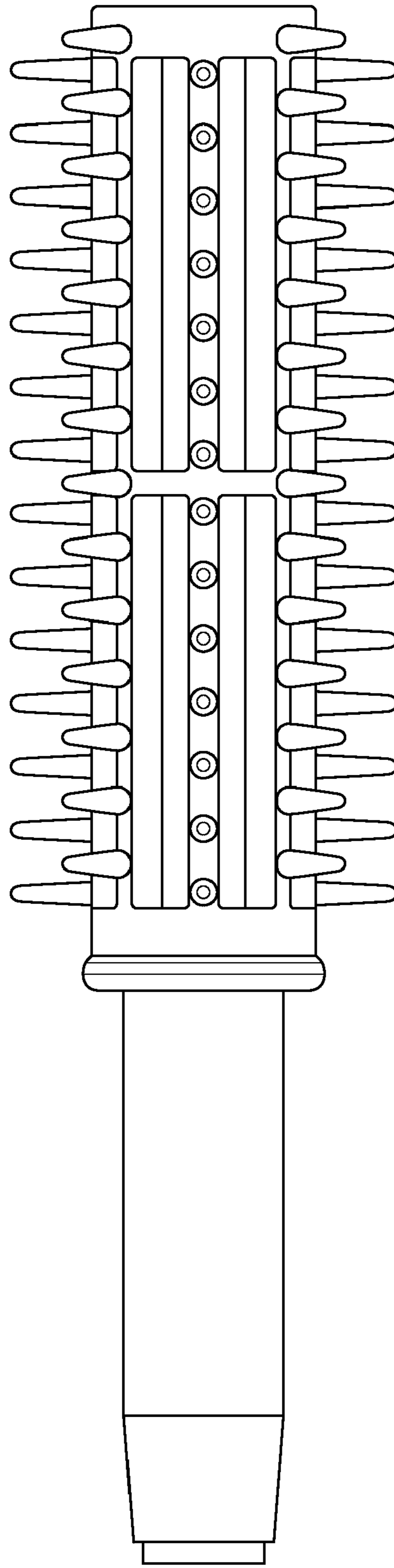


FIG. 5

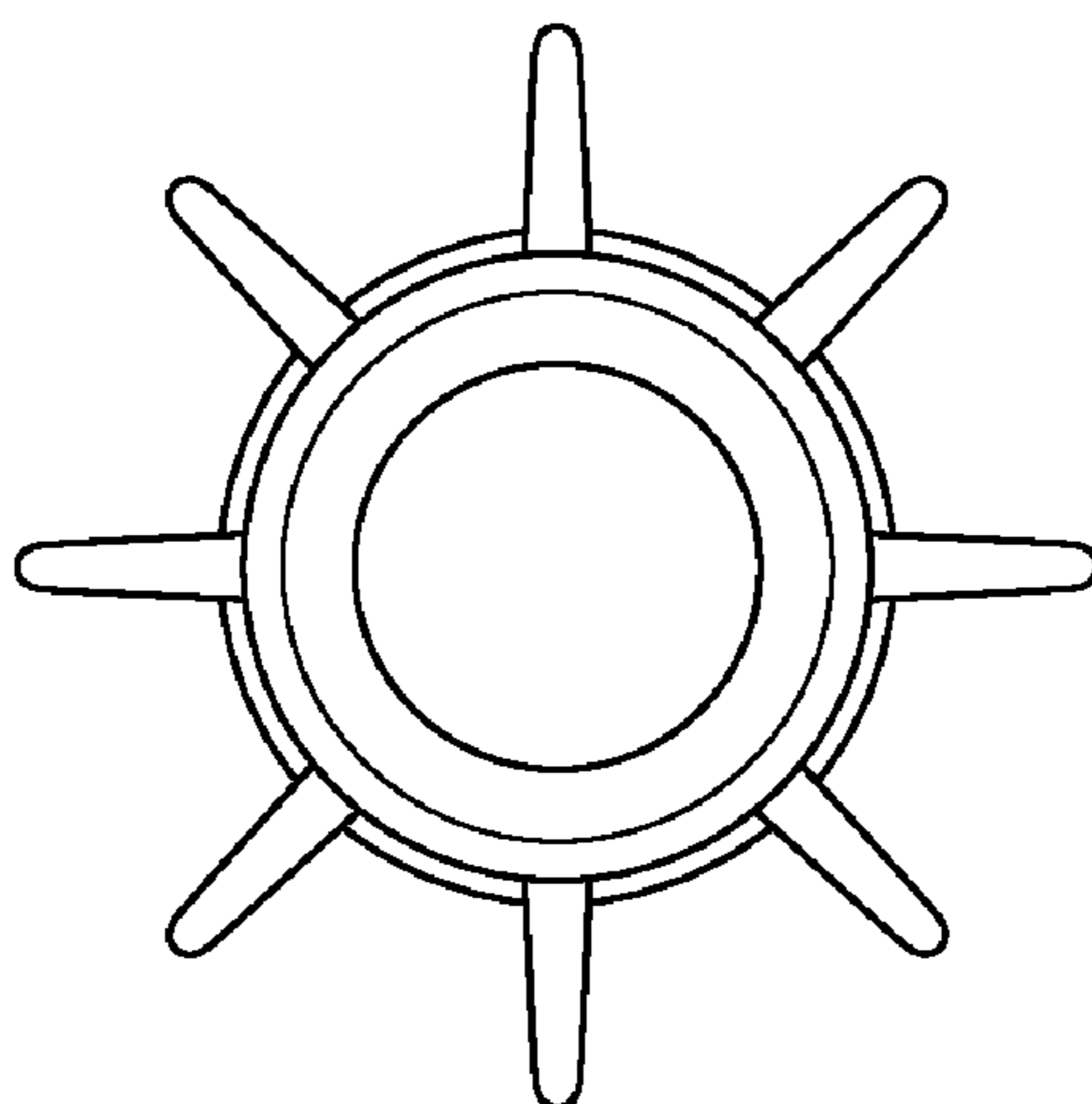


FIG. 6

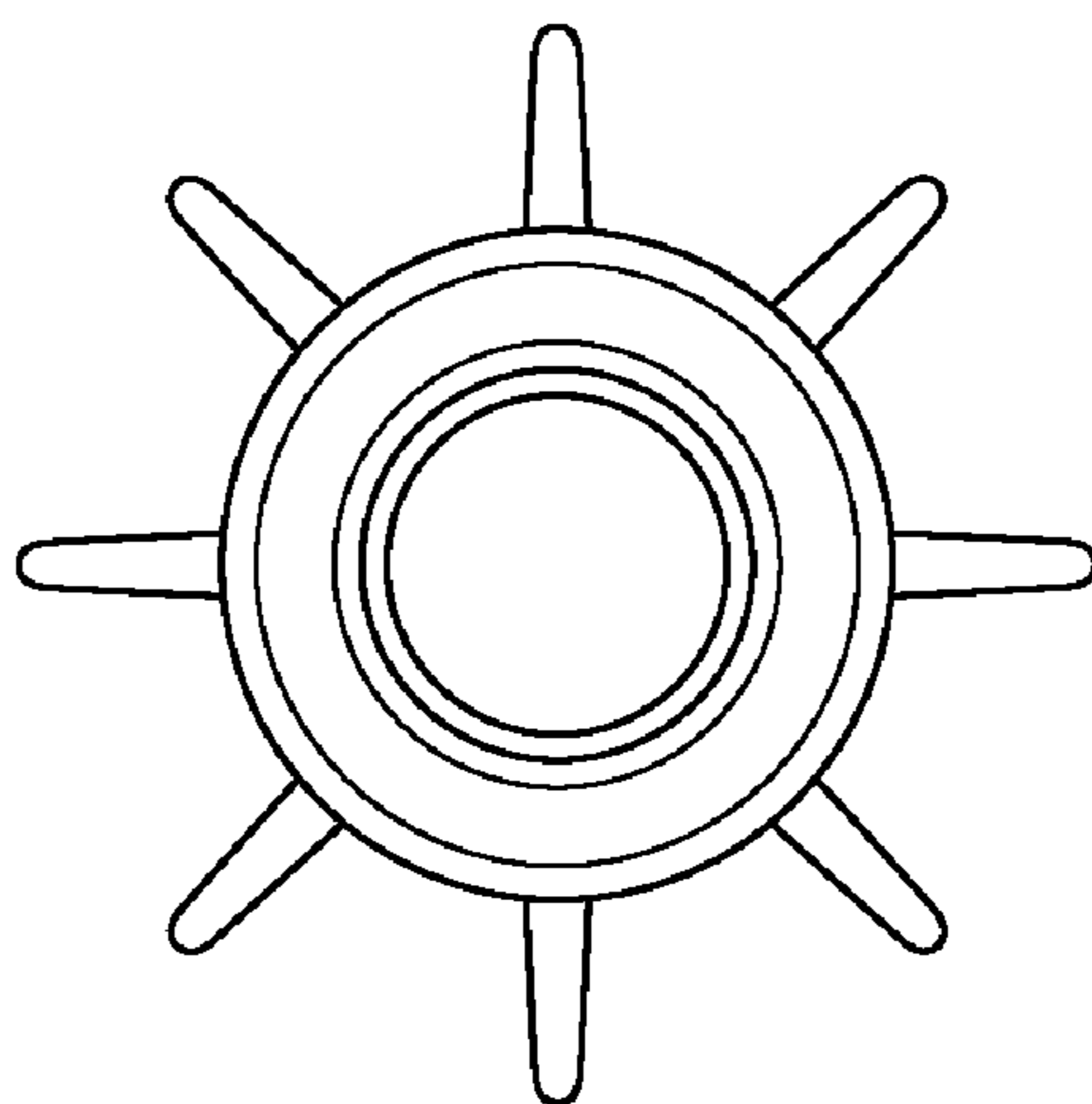


FIG. 7