



US00D656735S

(12) **United States Design Patent**  
**Zupan**

(10) **Patent No.:** **US D656,735 S**  
(45) **Date of Patent:** **\*\* Apr. 3, 2012**

(54) **MULTI-PURPOSE TOOL**

(76) Inventor: **Andy T. Zupan**, Oklahoma City, OK  
(US)

(\*\*) Term: **14 Years**

(21) Appl. No.: **29/400,396**

(22) Filed: **Aug. 26, 2011**

(51) **LOC (9) Cl.** ..... **04-01**

(52) **U.S. Cl.** ..... **D4/116; D4/118; D4/132**

(58) **Field of Classification Search** ..... D4/116,  
D4/118, 132, 138, 199; D8/6, 13; 15/111,  
15/146, 159.1, 160, 171, 175, 236.08, 236.09;  
56/400.04, 400.06

See application file for complete search history.

(56) **References Cited**

**U.S. PATENT DOCUMENTS**

1,115,881	A *	11/1914	West	.....	56/400.04
D237,245	S *	10/1975	Smyth	.....	D8/6
5,373,600	A *	12/1994	Stojanovski et al.	.....	15/111
5,440,869	A *	8/1995	Meehan	.....	56/400.21
D382,117	S *	8/1997	Uranga et al.	.....	D4/132
D409,461	S *	5/1999	Kiefer	.....	D8/13
D509,066	S *	9/2005	Vosbikian	.....	D4/116

**FOREIGN PATENT DOCUMENTS**

DE 202005005578 U1 \* 7/2005

\* cited by examiner

*Primary Examiner* — Melanie H Tung

*Assistant Examiner* — Lavone D Tabor

(74) *Attorney, Agent, or Firm* — Hall Estill Law Firm

(57) **CLAIM**

I claim the ornamental design for a multi-purpose tool, as shown and described.

**DESCRIPTION**

FIG. 1 is a front elevational view of a multi-purpose tool.

FIG. 2 is a rear elevational view thereof.

FIG. 3 is a side elevational view thereof.

FIG. 4 is an elevational view of a side opposite that shown in FIG. 3.

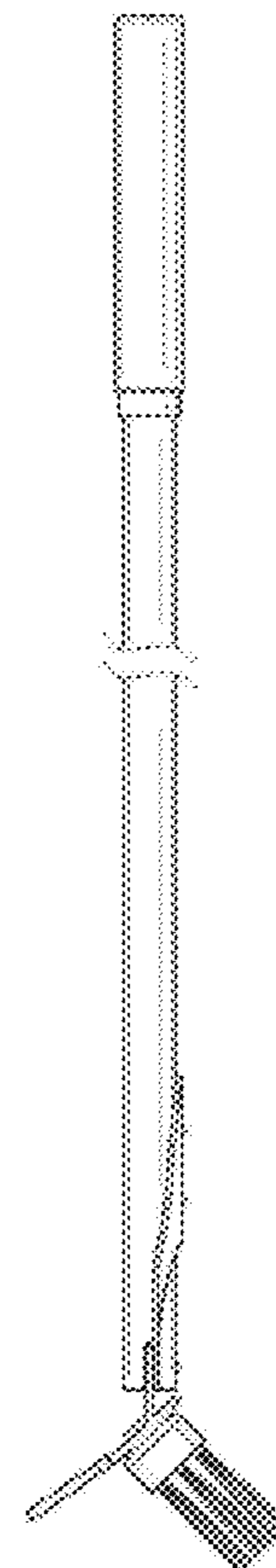
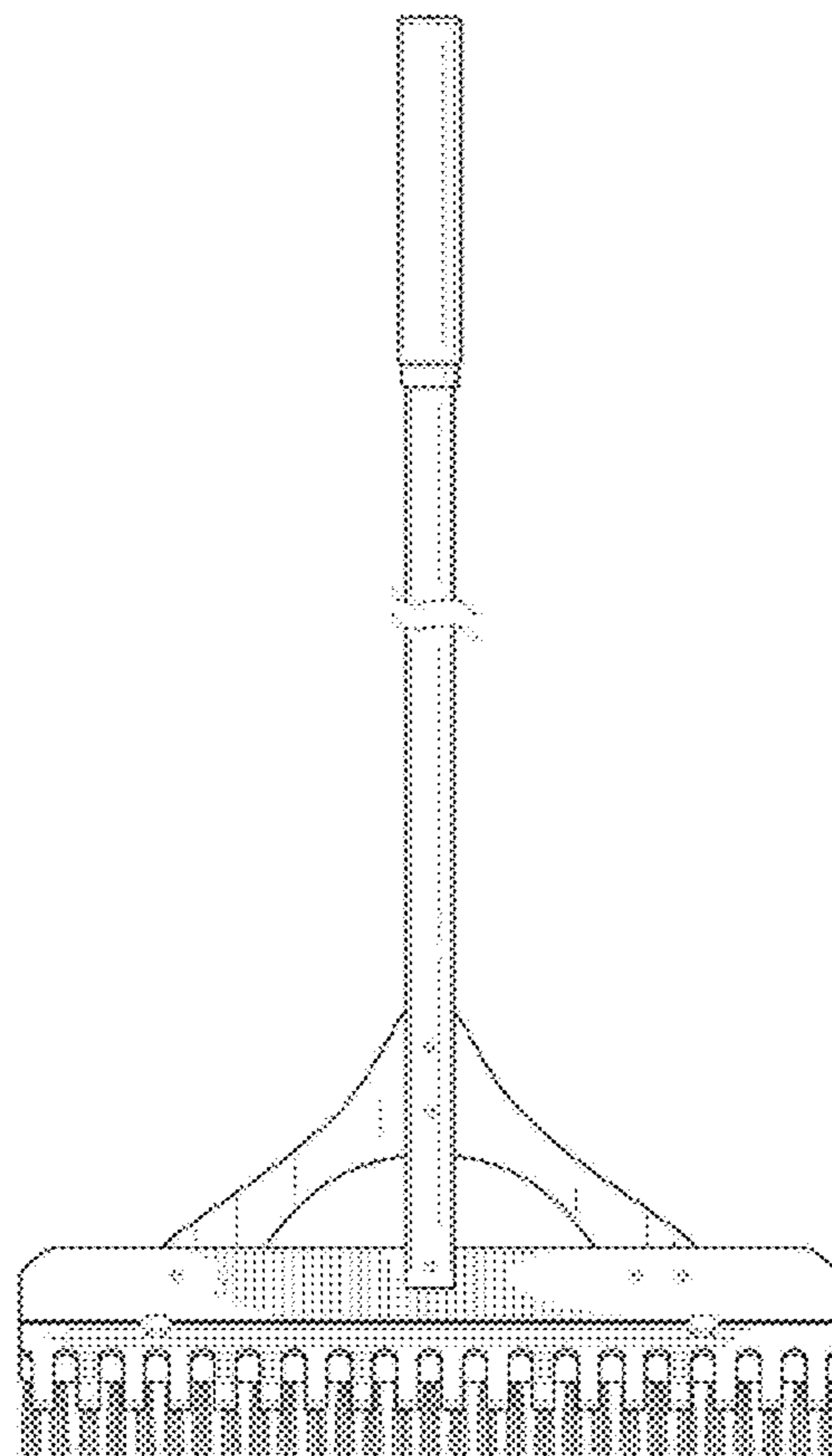
FIG. 5 is a top plan view thereof; and,

FIG. 6 is a bottom plan view thereof.

The broken line depiction of the multi-purpose tool is for the purpose of showing portions of the multi-purpose tool and forms no part of the claimed design.

The handle is shown broken away to indicate that no particular length is being claimed.

**1 Claim, 4 Drawing Sheets**



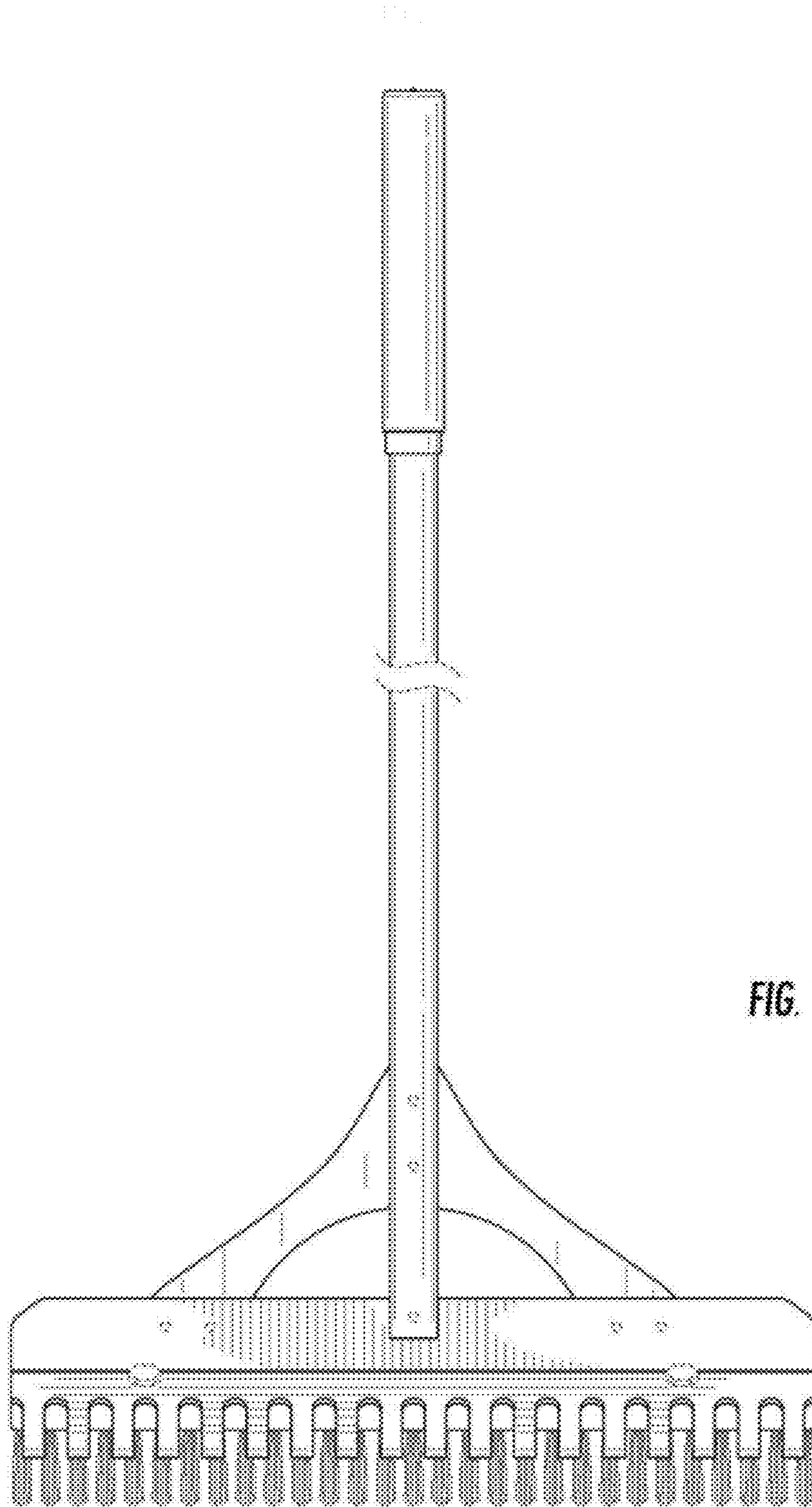


FIG. 1

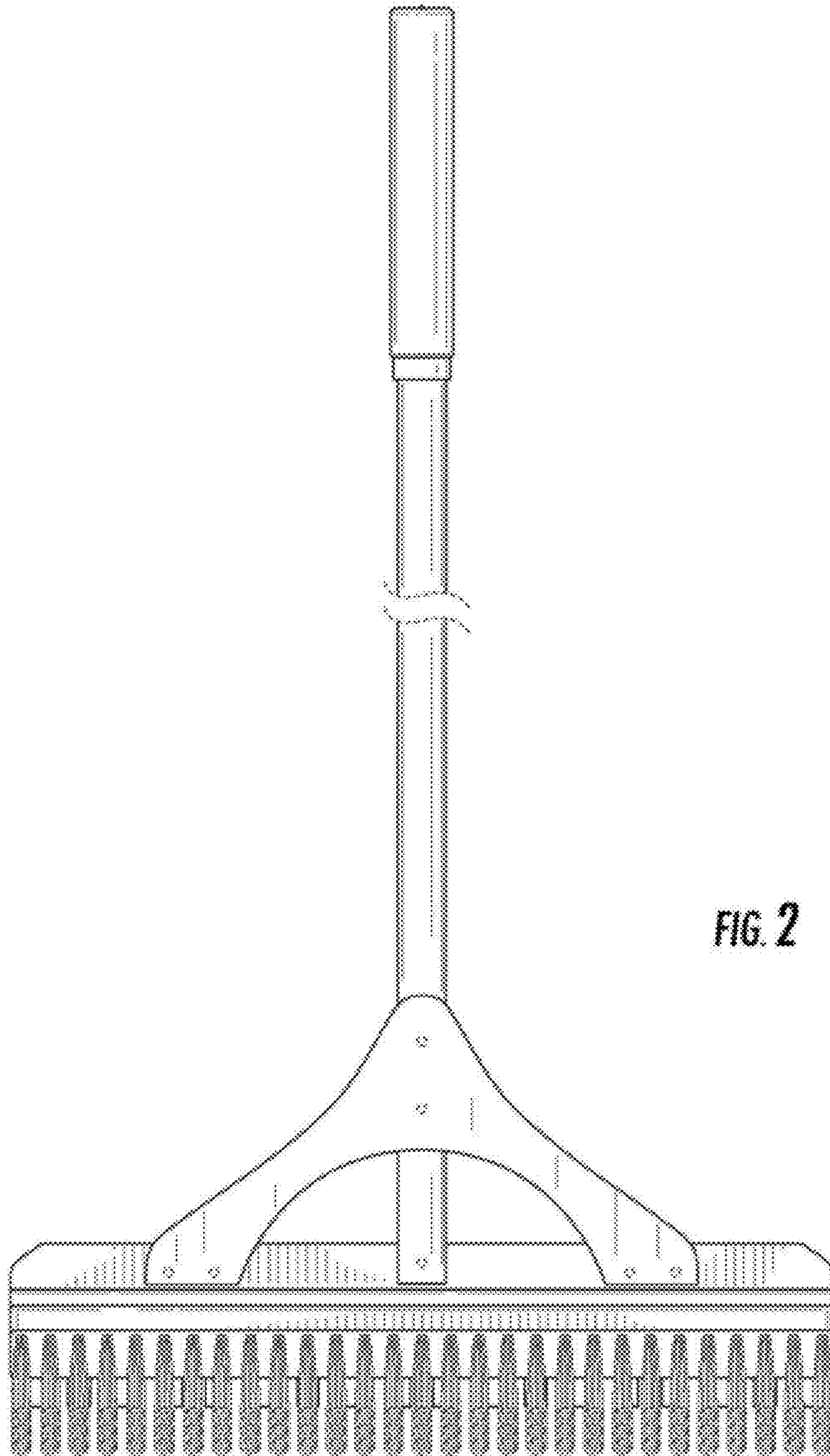


FIG. 2

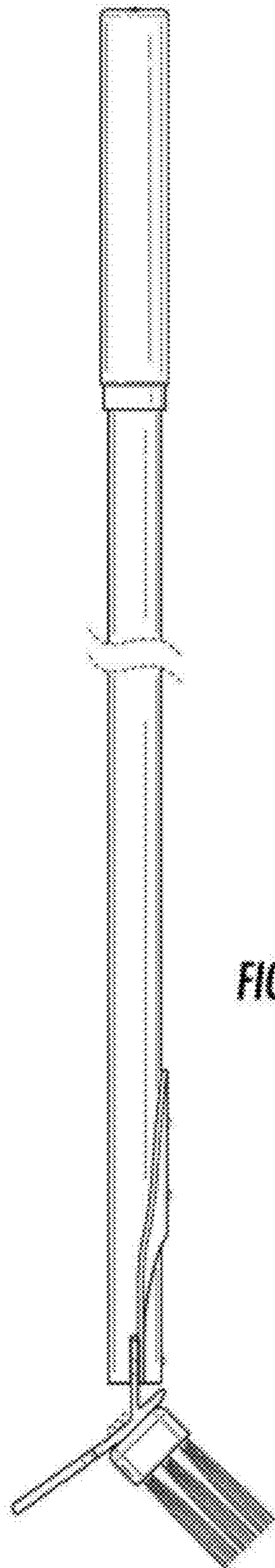


FIG. 3

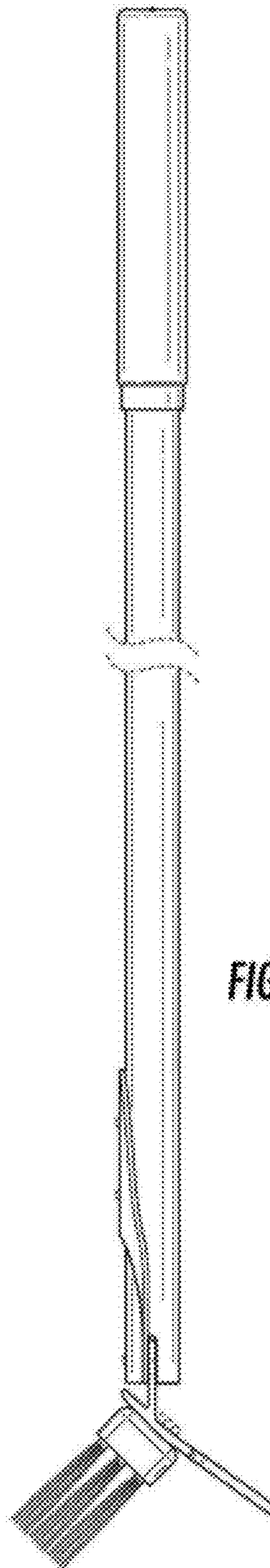


FIG. 4

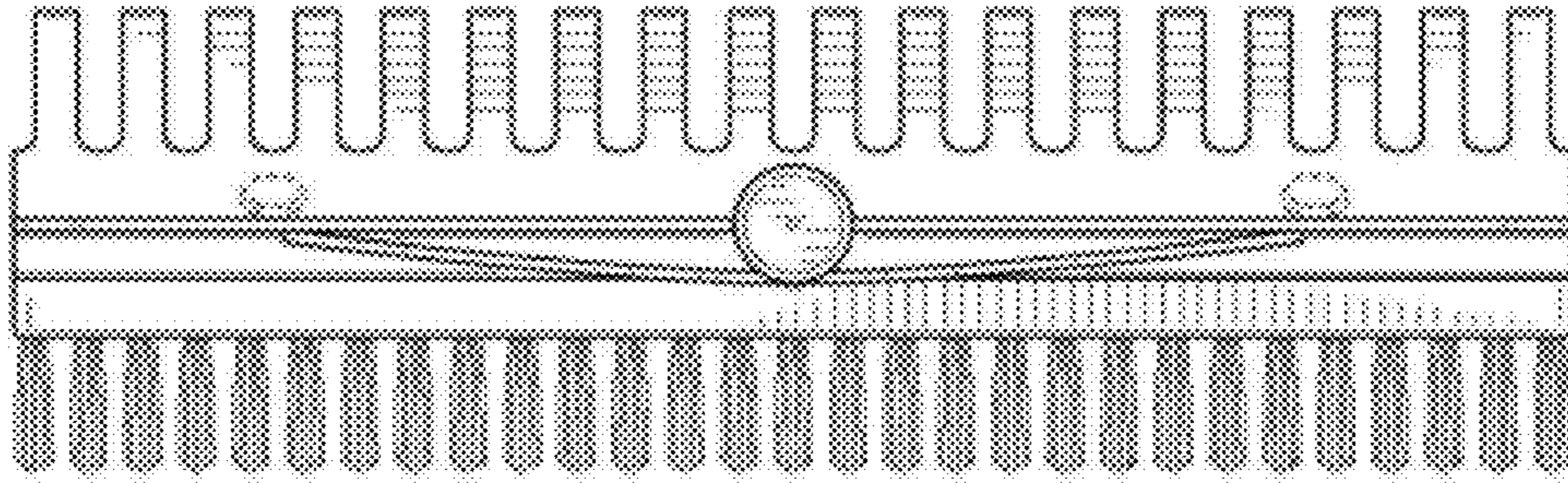


FIG. 5

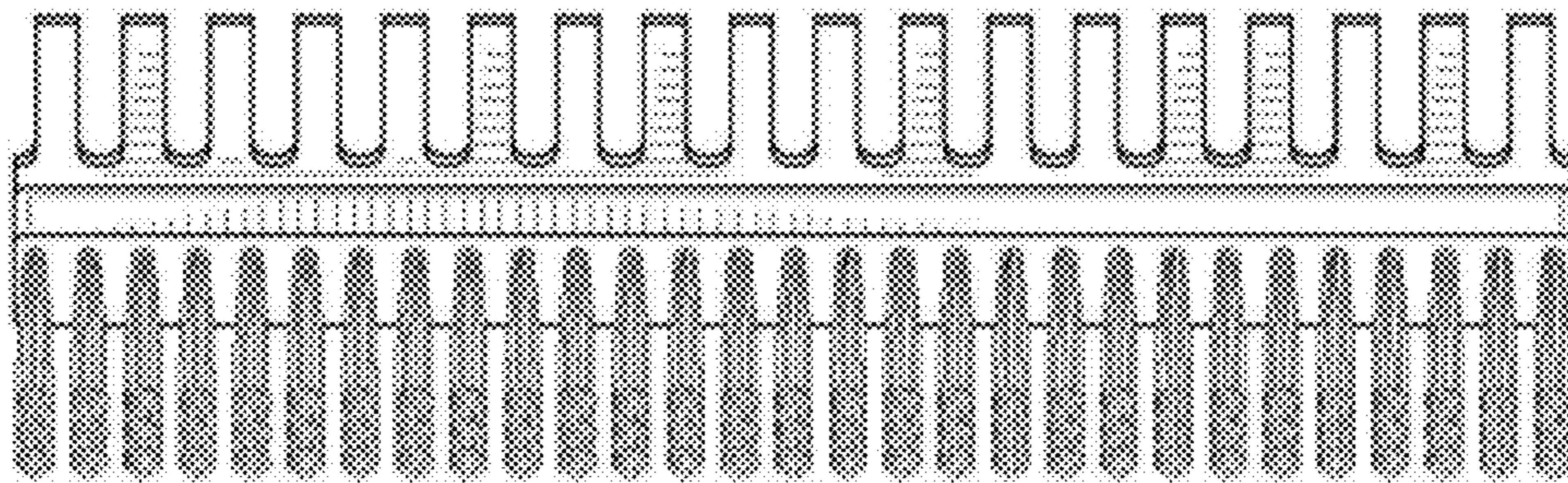


FIG. 6