

US00D656730S

(12) **United States Design Patent**
Son

(10) **Patent No.:** **US D656,730 S**

(45) **Date of Patent:** **** Apr. 3, 2012**

(54) **STORAGE CRATE**

(76) Inventor: **Sang Son**, Dongducheon Si (KR)

(**) Term: **14 Years**

(21) Appl. No.: **29/397,622**

(22) Filed: **Jul. 19, 2011**

(30) **Foreign Application Priority Data**

May 27, 2011 (KR) 30-2011-0021654

(51) **LOC (9) Cl.** **03-01**

(52) **U.S. Cl.** **D3/305**

(58) **Field of Classification Search** D3/304–305,
D3/307–314; D6/449, 510–511; D9/432,
D9/442; D32/37; 206/503, 507, 510; 220/676,
220/752, 755, 771, 913

See application file for complete search history.

(56) **References Cited**

U.S. PATENT DOCUMENTS

D359,850 S *	7/1995	Staubitz et al.	D3/314
D362,567 S *	9/1995	Licari	D6/436
D370,780 S *	6/1996	Bunger	D3/272
5,921,646 A *	7/1999	Hwang	312/263
D455,292 S *	4/2002	Hardy et al.	D6/449
D468,932 S *	1/2003	Licari	D6/441
7,048,346 B2 *	5/2006	Saravis	312/111
D537,249 S *	2/2007	Shapiro et al.	D3/305
D545,592 S *	7/2007	Ohayon	D6/478

D566,430 S *	4/2008	Austin et al.	D6/477
D596,856 S *	7/2009	Udwin	D3/289
D600,944 S *	9/2009	McConnell et al.	D6/449
D622,959 S *	9/2010	Zalewski et al.	D3/273
D632,892 S *	2/2011	Zalewski et al.	D3/273
D634,564 S *	3/2011	Licari	D6/446
2010/0038371 A1 *	2/2010	Bowers et al.	220/676

FOREIGN PATENT DOCUMENTS

KR	30-0509539	10/2008
KR	30-0509539-01	10/2008

* cited by examiner

Primary Examiner — Elizabeth Albert

Assistant Examiner — Kelley Donnelly

(74) *Attorney, Agent, or Firm* — Osha • Liang LLP

(57) **CLAIM**

I claim the ornamental design for a storage crate, as shown and described.

DESCRIPTION

FIG. 1 is a front perspective view of the storage crate according to the present design.

FIG. 2 is a front elevation view thereof;

FIG. 3 is a rear elevation view thereof;

FIG. 4 is a left-elevation view thereof, all side views being substantially identical to that shown;

FIG. 5 is a top plan view thereof;

FIG. 6 is a bottom plan view thereof; and,

FIG. 7 is an exploded perspective view thereof.

1 Claim, 7 Drawing Sheets

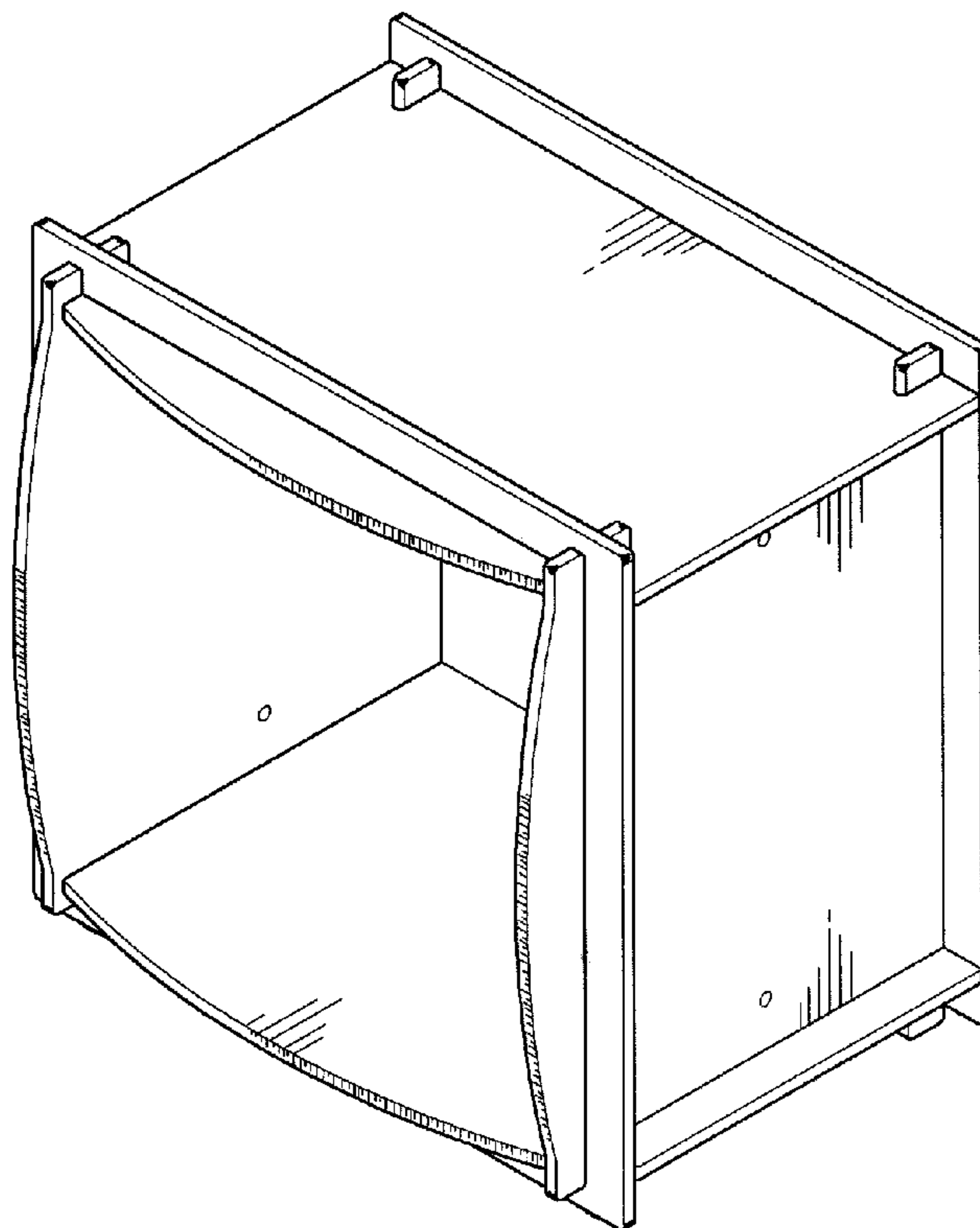


FIG. 1

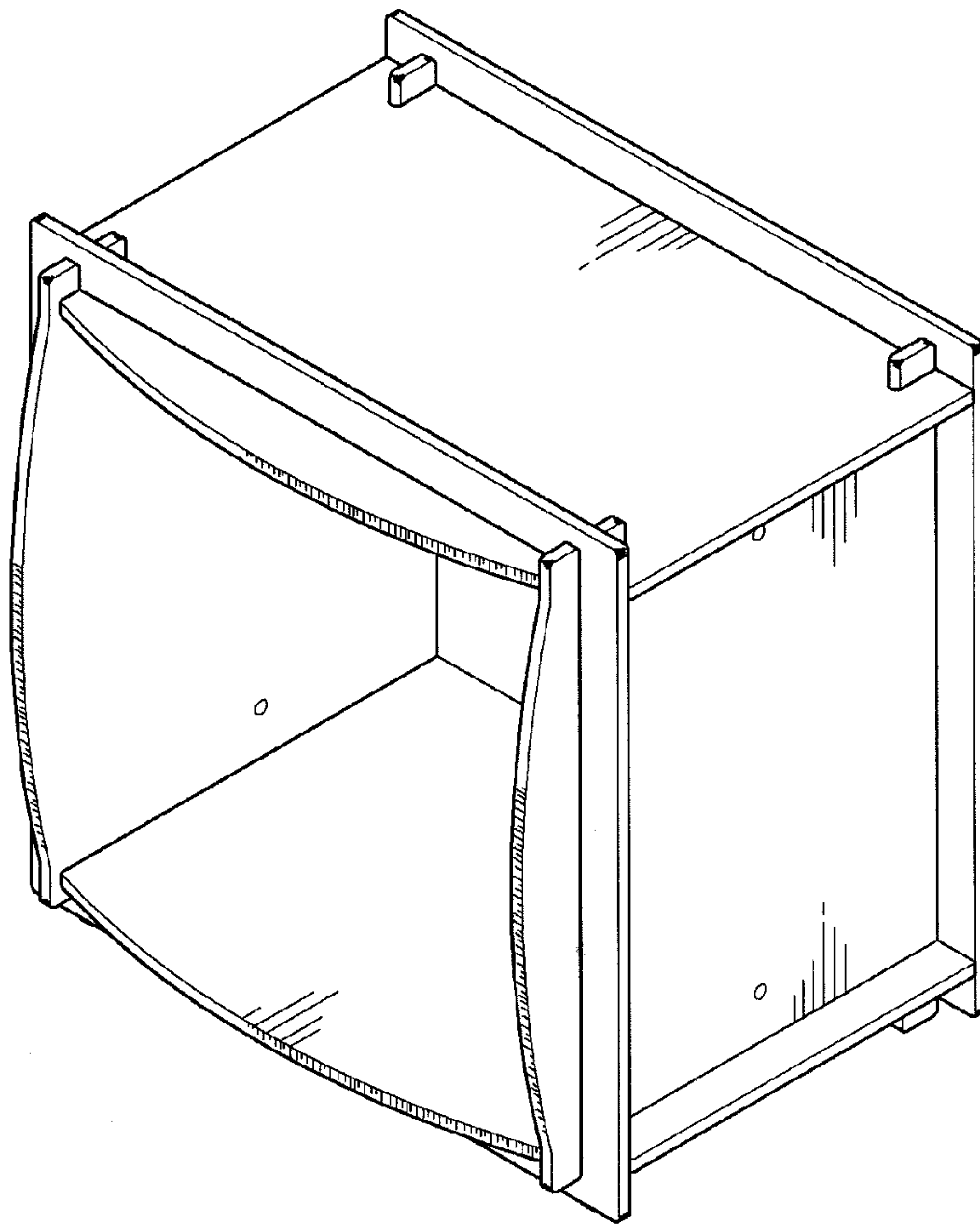


FIG. 2

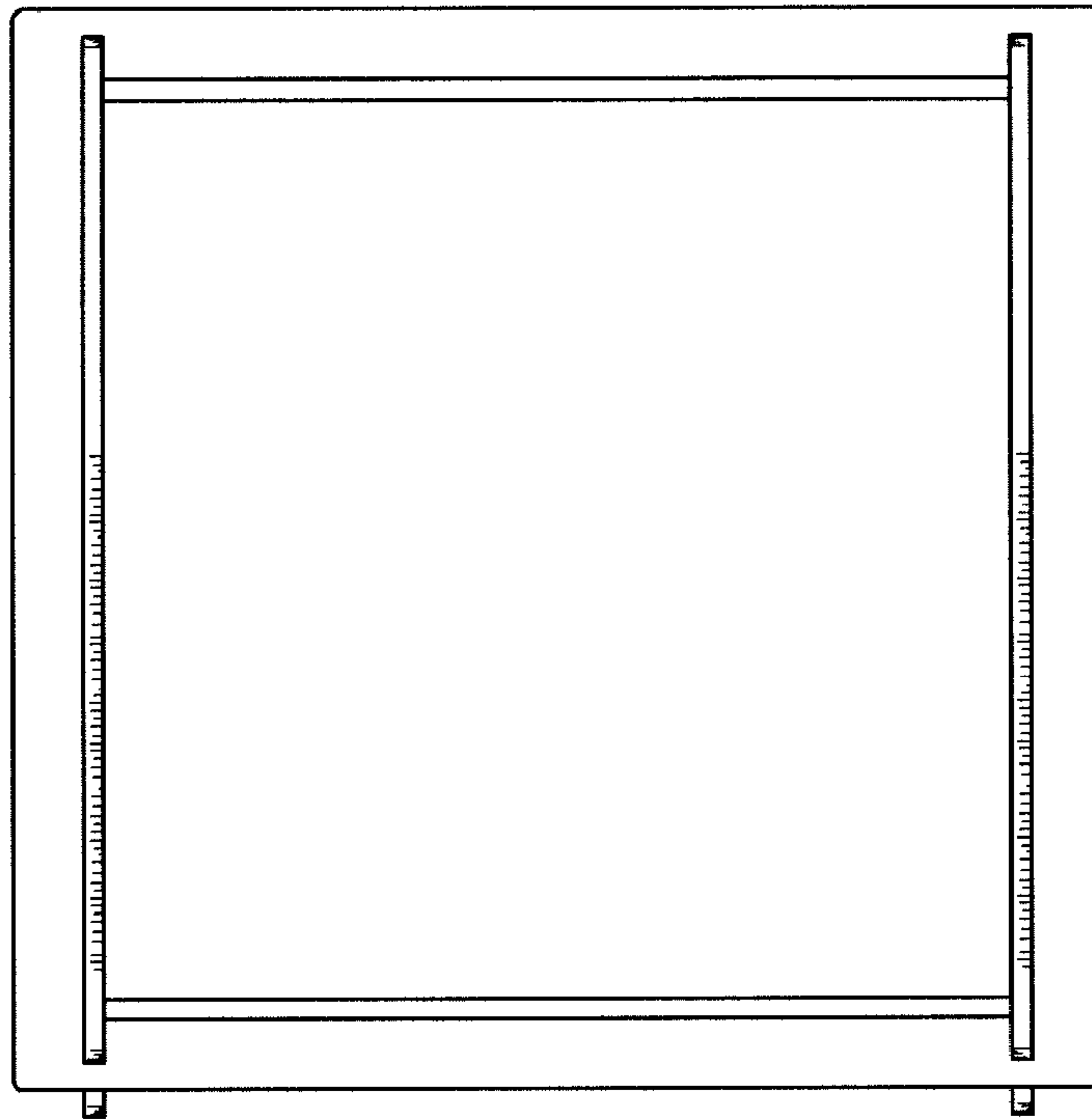


FIG. 3

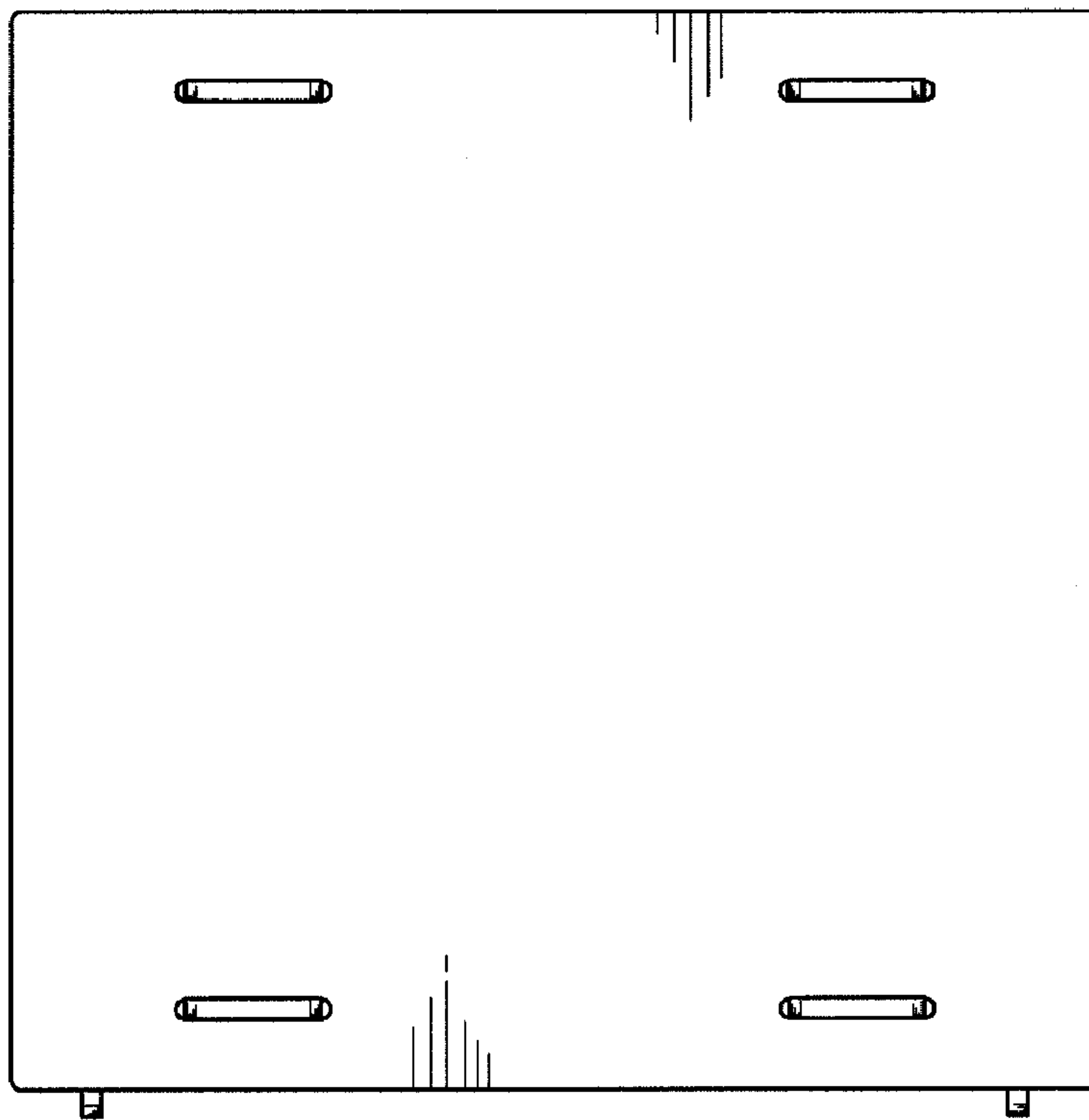


FIG. 4

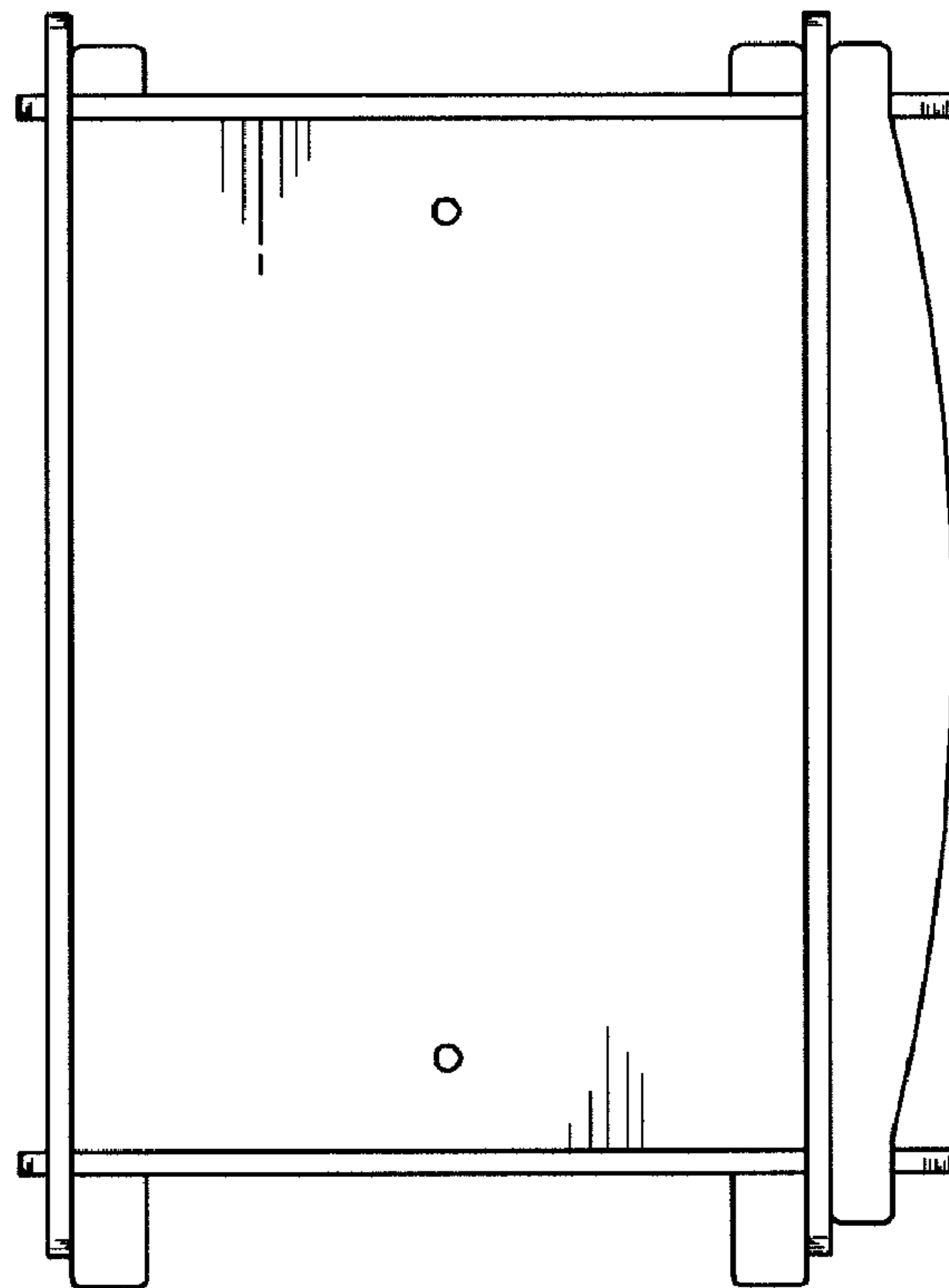


FIG. 5

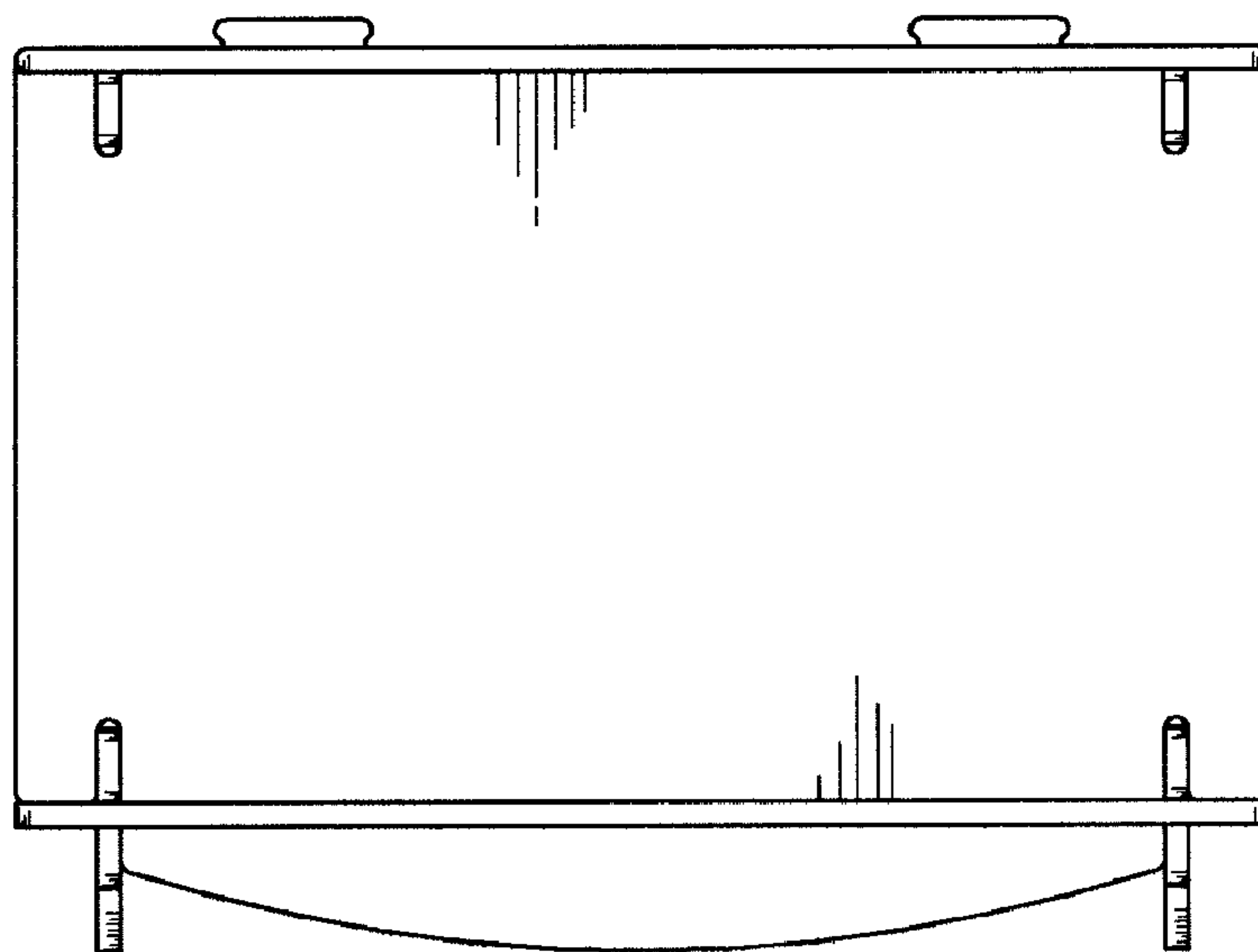


FIG. 6

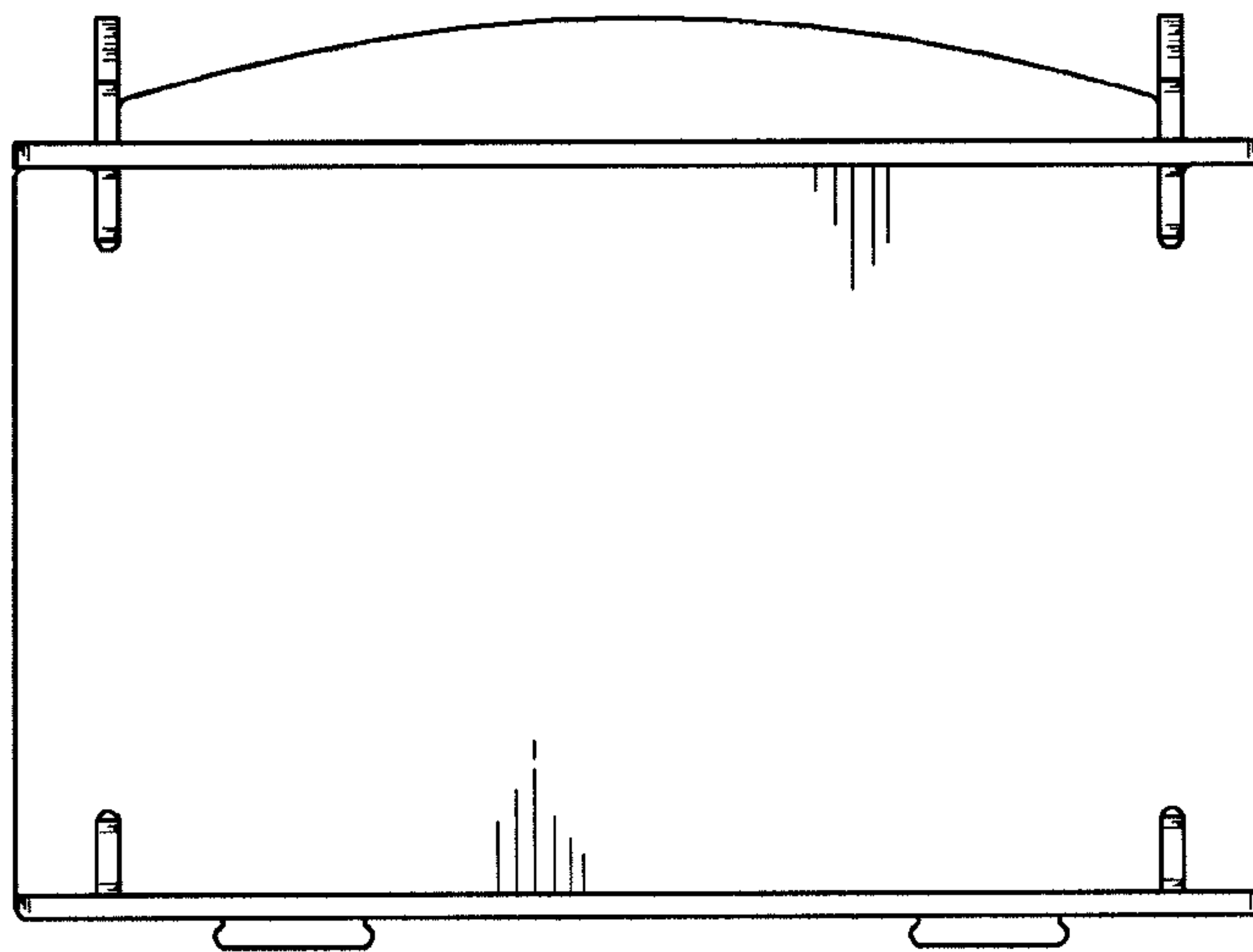


FIG. 7

