



US00D656726S

(12) **United States Design Patent**  
**Flores**

(10) **Patent No.:** **US D656,726 S**

(45) **Date of Patent:** **\*\* Apr. 3, 2012**

(54) **COLLAPSIBLE SHOPPING BAG**

(76) Inventor: **Iris Melody Flores**, Mesa, AZ (US)

(\*\*) Term: **14 Years**

(21) Appl. No.: **29/384,529**

(22) Filed: **Jan. 31, 2011**

(51) **LOC (9) Cl.** ..... **03-01**

(52) **U.S. Cl.** ..... **D3/232**

(58) **Field of Classification Search** ..... D3/232–233,  
D3/240–246; 150/100, 103–110, 113–114,  
150/118–119

See application file for complete search history.

(56) **References Cited**

**U.S. PATENT DOCUMENTS**

1,321,274	A *	11/1919	Barracks	150/100
1,677,142	A *	7/1928	Engel-Kron et al.	150/105
1,786,896	A *	12/1930	Conger	150/133
2,127,067	A *	8/1938	Moss	150/104
2,288,704	A *	7/1942	Herbener	150/141
D136,609	S *	11/1943	Patterson	D3/251
2,496,144	A *	1/1950	Bauman	150/136
D157,289	S *	2/1950	Potter	D3/251
D227,945	S	7/1973	Hirtz	
D328,525	S	8/1992	Wilson	
D338,335	S	8/1993	Levenson	
D350,689	S	9/1994	Chao	
D374,348	S	10/1996	Sarver	
D393,366	S *	4/1998	Kopel	D3/233
D426,060	S	6/2000	Chapelier	
D439,041	S	3/2001	Guyon	

D441,529	S	5/2001	Guyon	
D457,317	S	5/2002	Steere	
D508,320	S	8/2005	Holland et al.	
D525,024	S *	7/2006	Fridie et al.	D3/201
D557,497	S *	12/2007	Fedon	D3/247
D602,254	S	10/2009	Cutler	

\* cited by examiner

*Primary Examiner* — Holly Baynham

(74) *Attorney, Agent, or Firm* — QuickPatents, Inc.; Kevin Prince

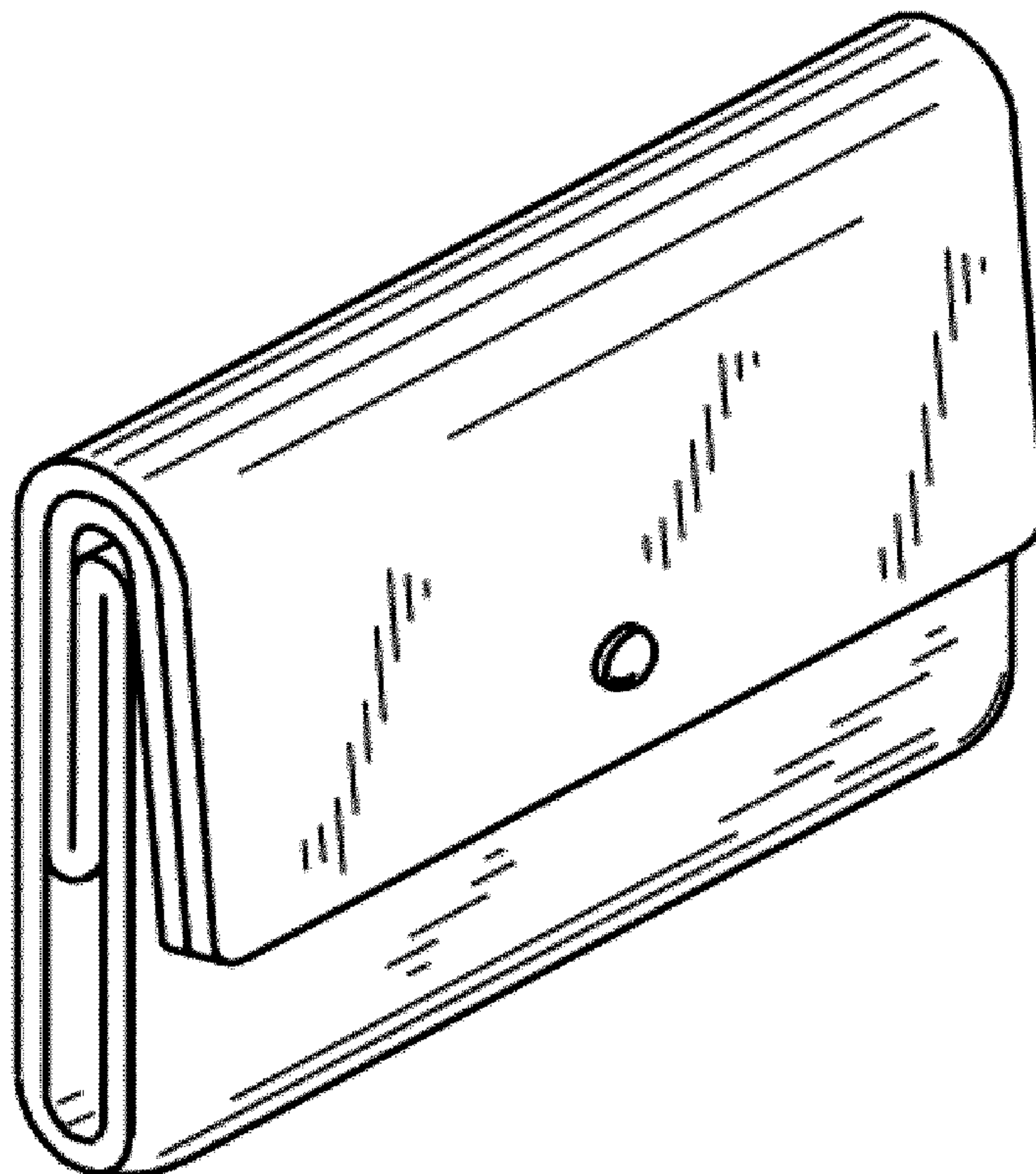
(57) **CLAIM**

What is claimed is the ornamental design for a collapsible shopping bag, as shown and described.

**DESCRIPTION**

FIG. 1 is a perspective view of a collapsible shopping bag, showing the new design in a collapsed configuration;  
 FIG. 2 is a front elevational view thereof;  
 FIG. 3 is a right-side elevational view thereof, the left-side elevational view being a mirror image thereof;  
 FIG. 4 is a rear elevational view thereof;  
 FIG. 5 is a top plan view thereof;  
 FIG. 6 is a bottom plan view thereof;  
 FIG. 7 is a perspective view thereof, illustrated in an expanded configuration;  
 FIG. 8 is a front elevational view of FIG. 7;  
 FIG. 9 is a right-side elevational view of FIG. 7, the left-side elevational view being a mirror image thereof;  
 FIG. 10 is a rear elevational view of FIG. 7;  
 FIG. 11 is a top plan view of FIG. 7; and,  
 FIG. 12 is a bottom plan view of FIG. 7.

**1 Claim, 3 Drawing Sheets**



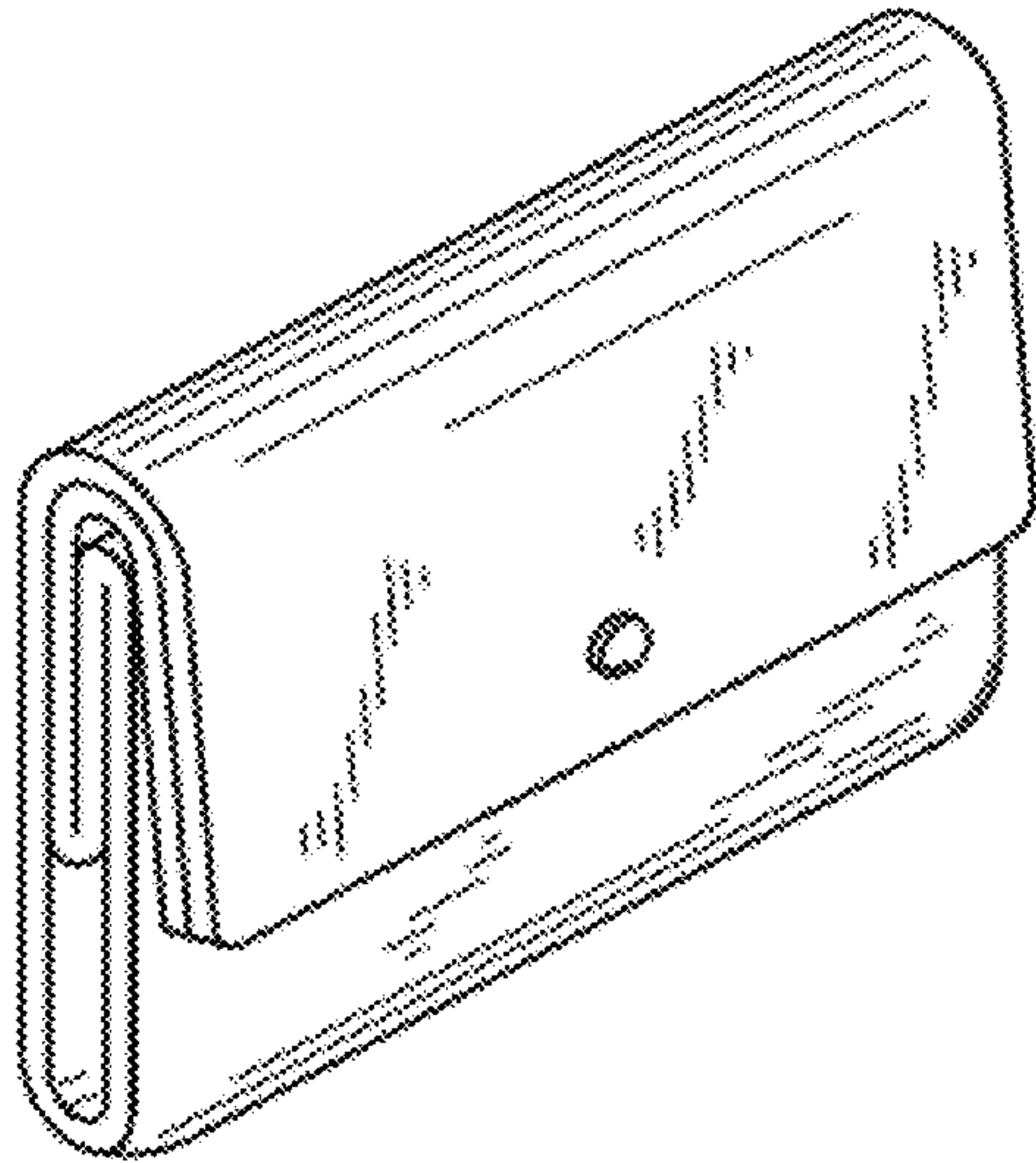


FIG. 1

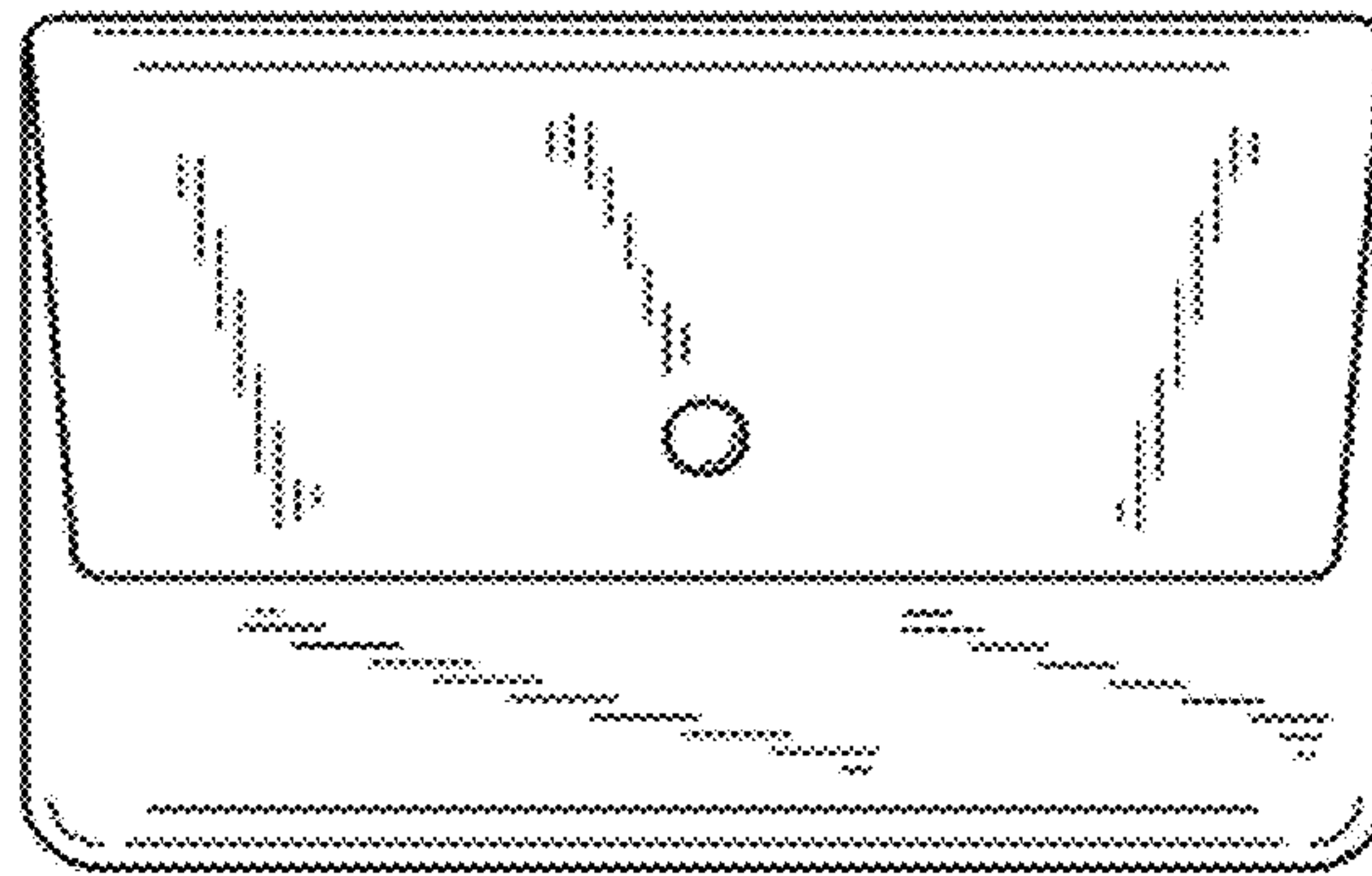


FIG. 2

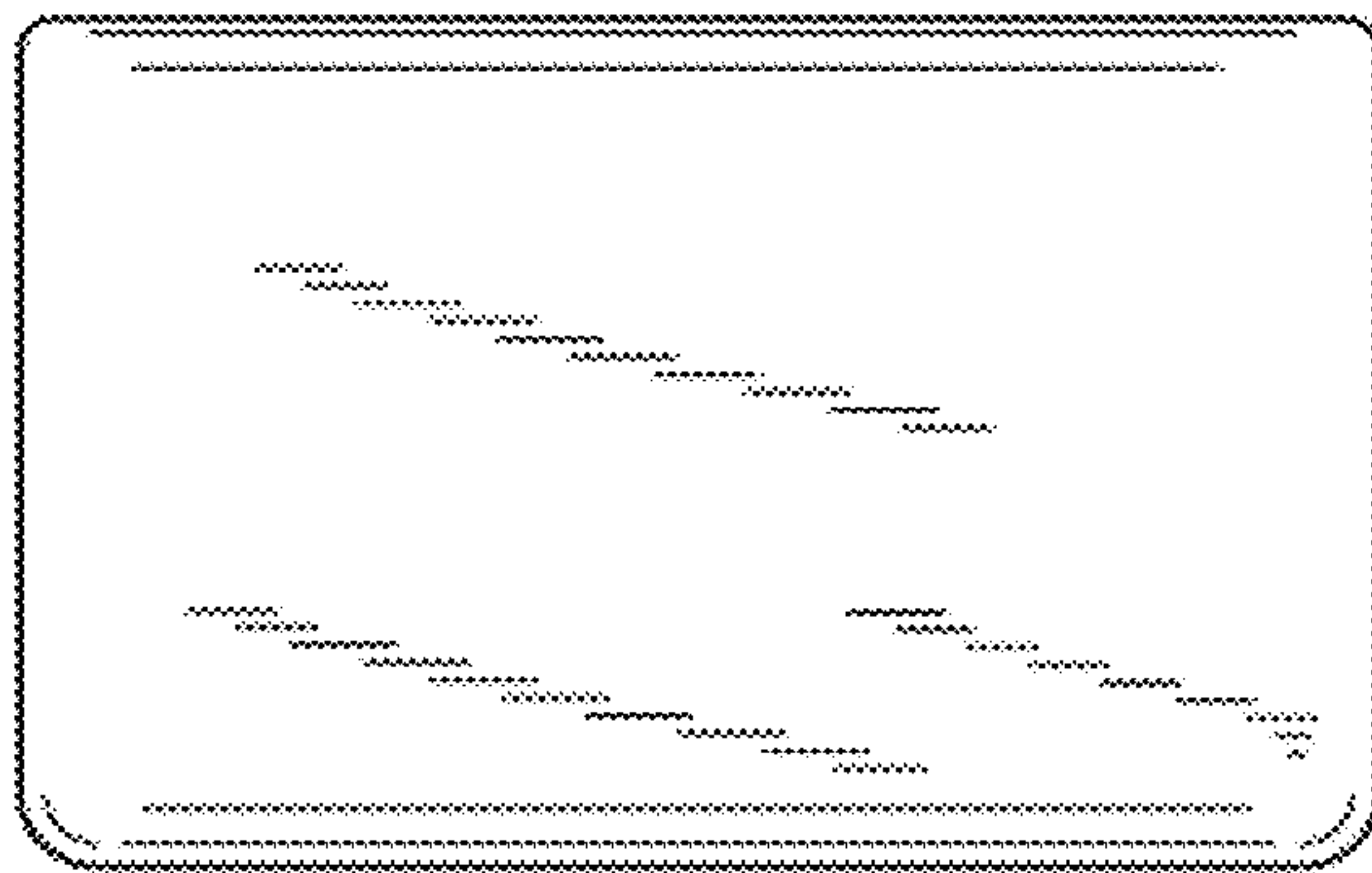


FIG. 4

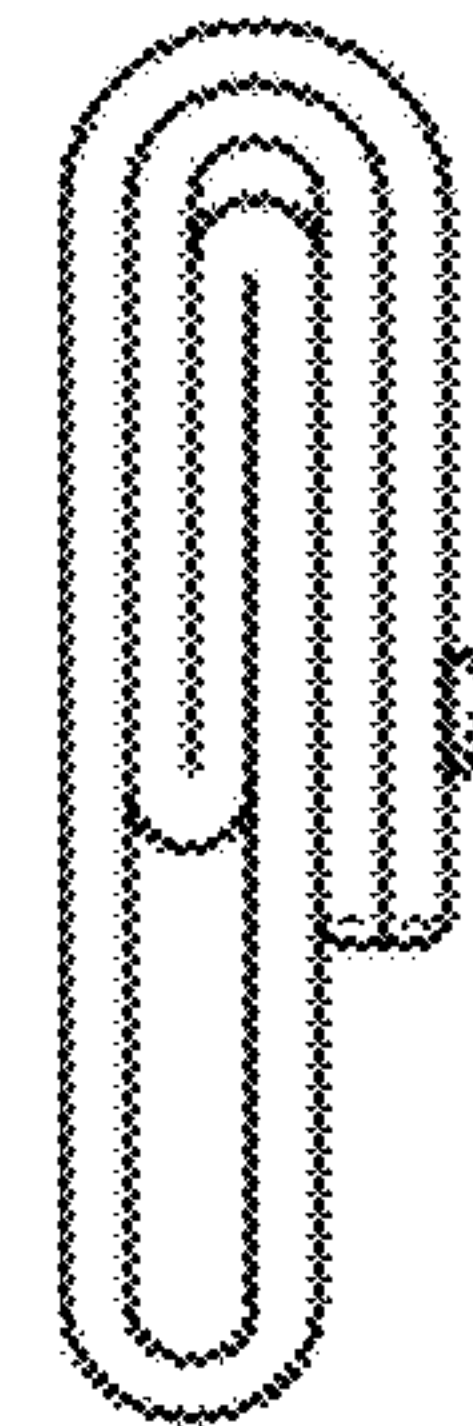


FIG. 3

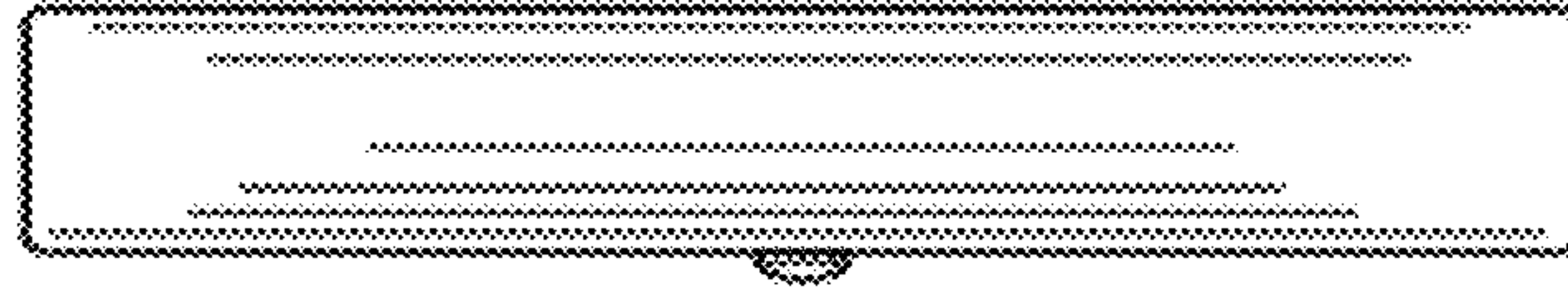


FIG. 5



FIG. 6

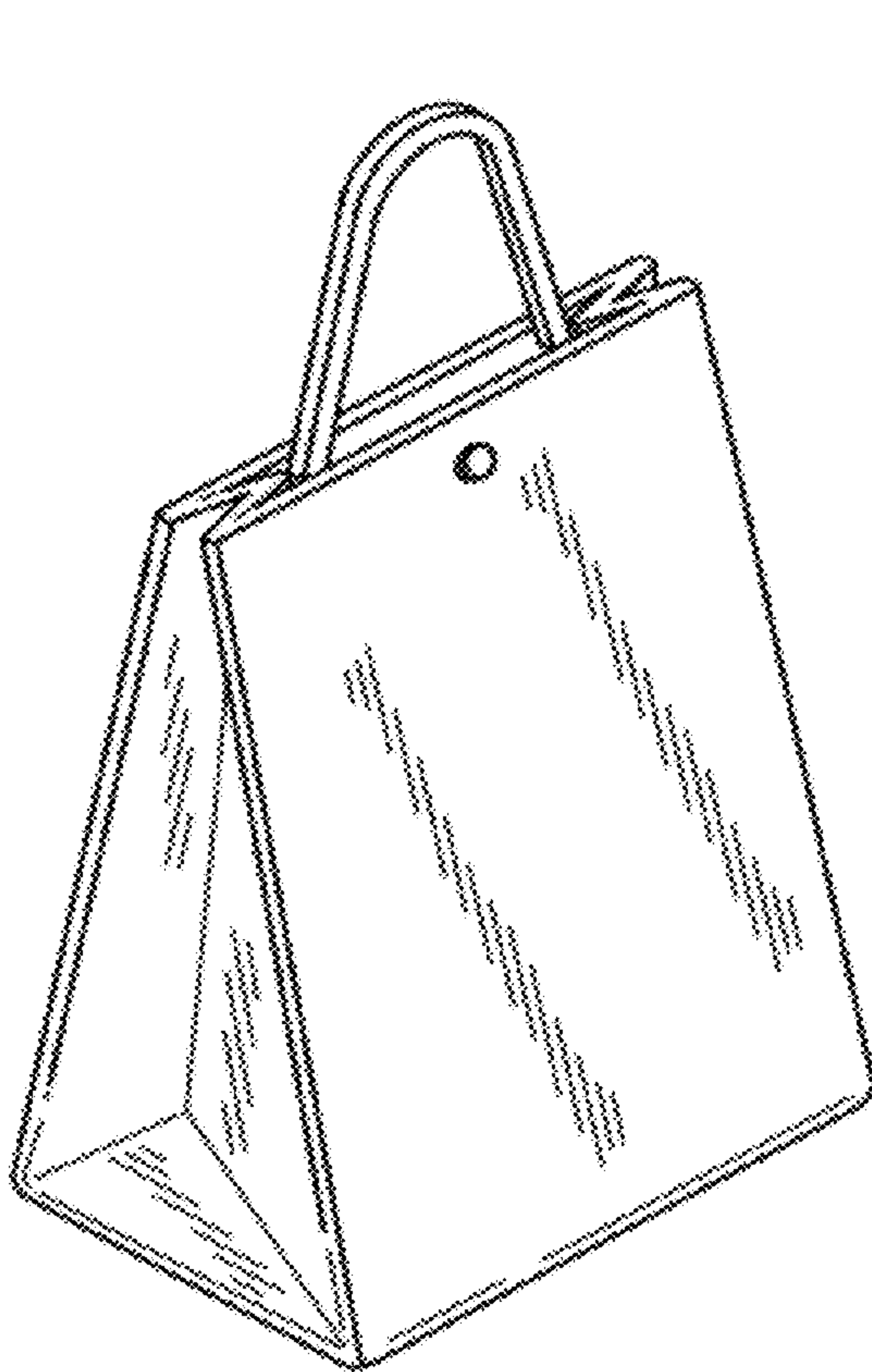


FIG. 7

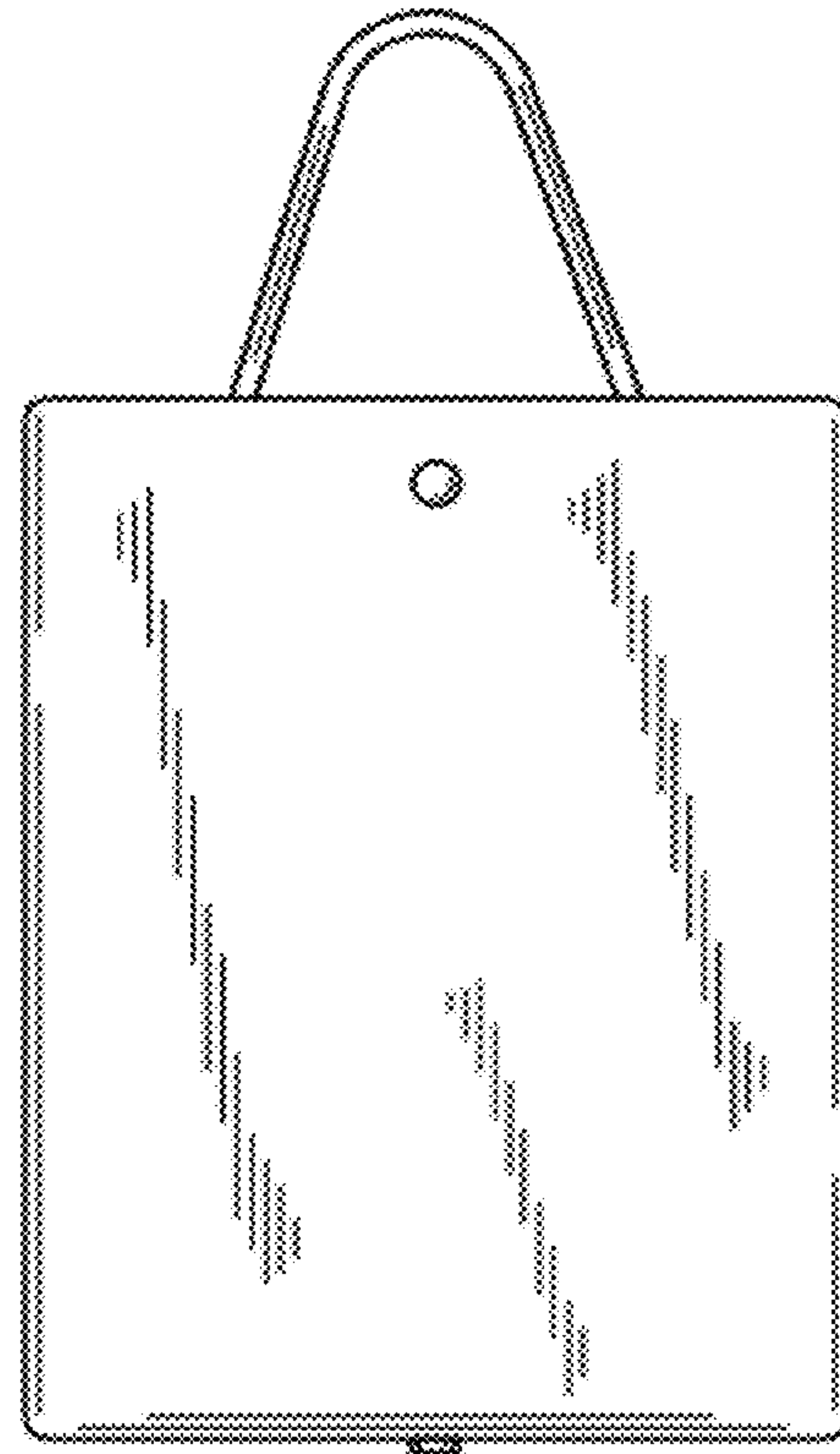


FIG. 8



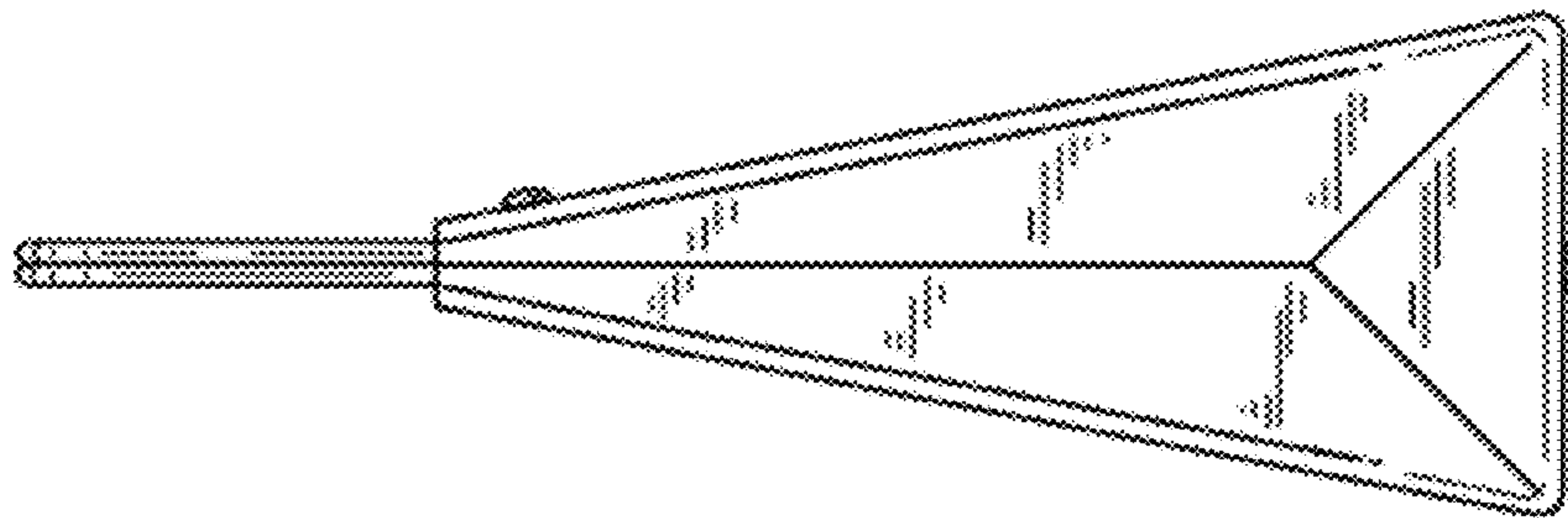


FIG. 9

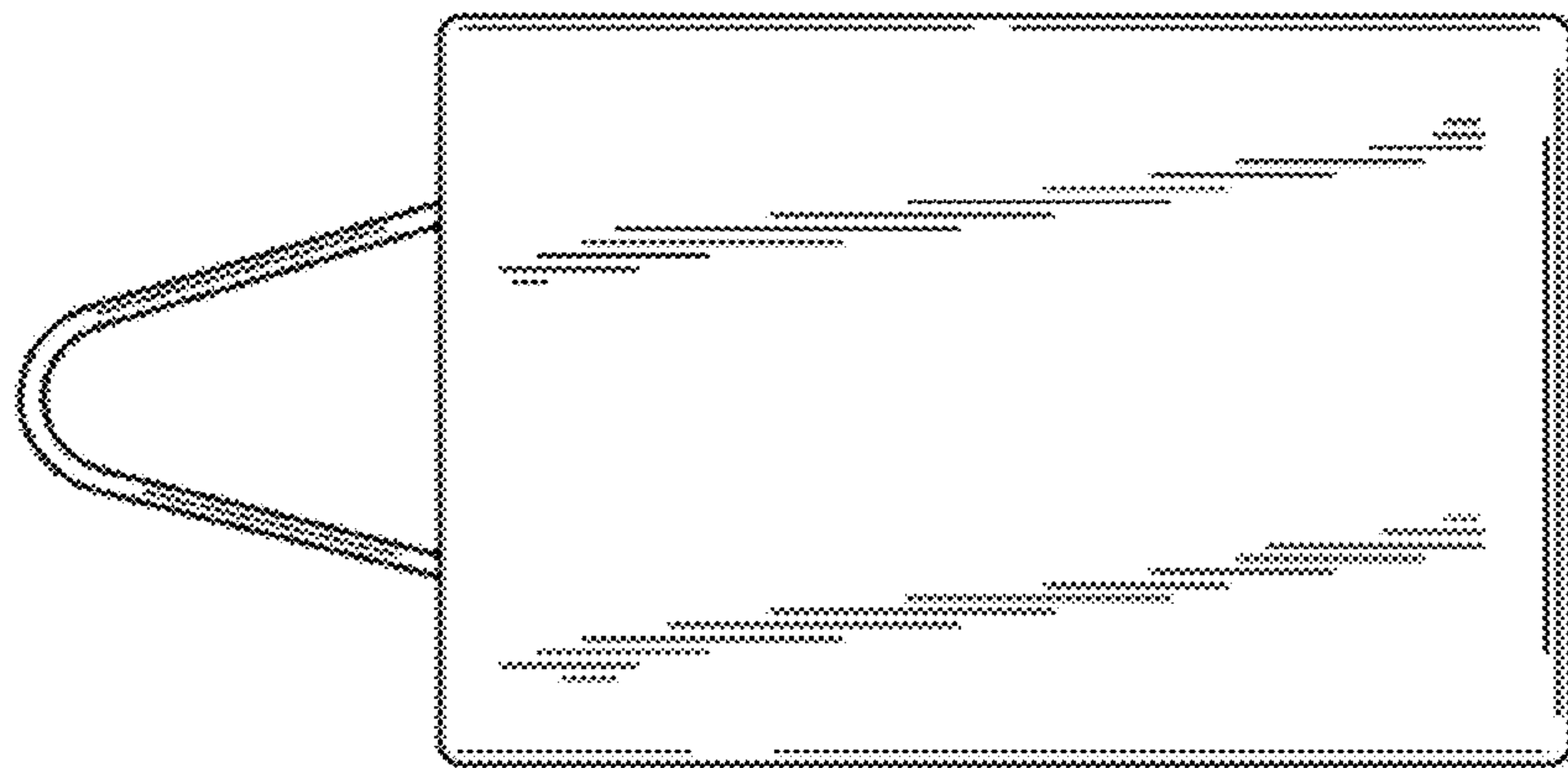


FIG. 10

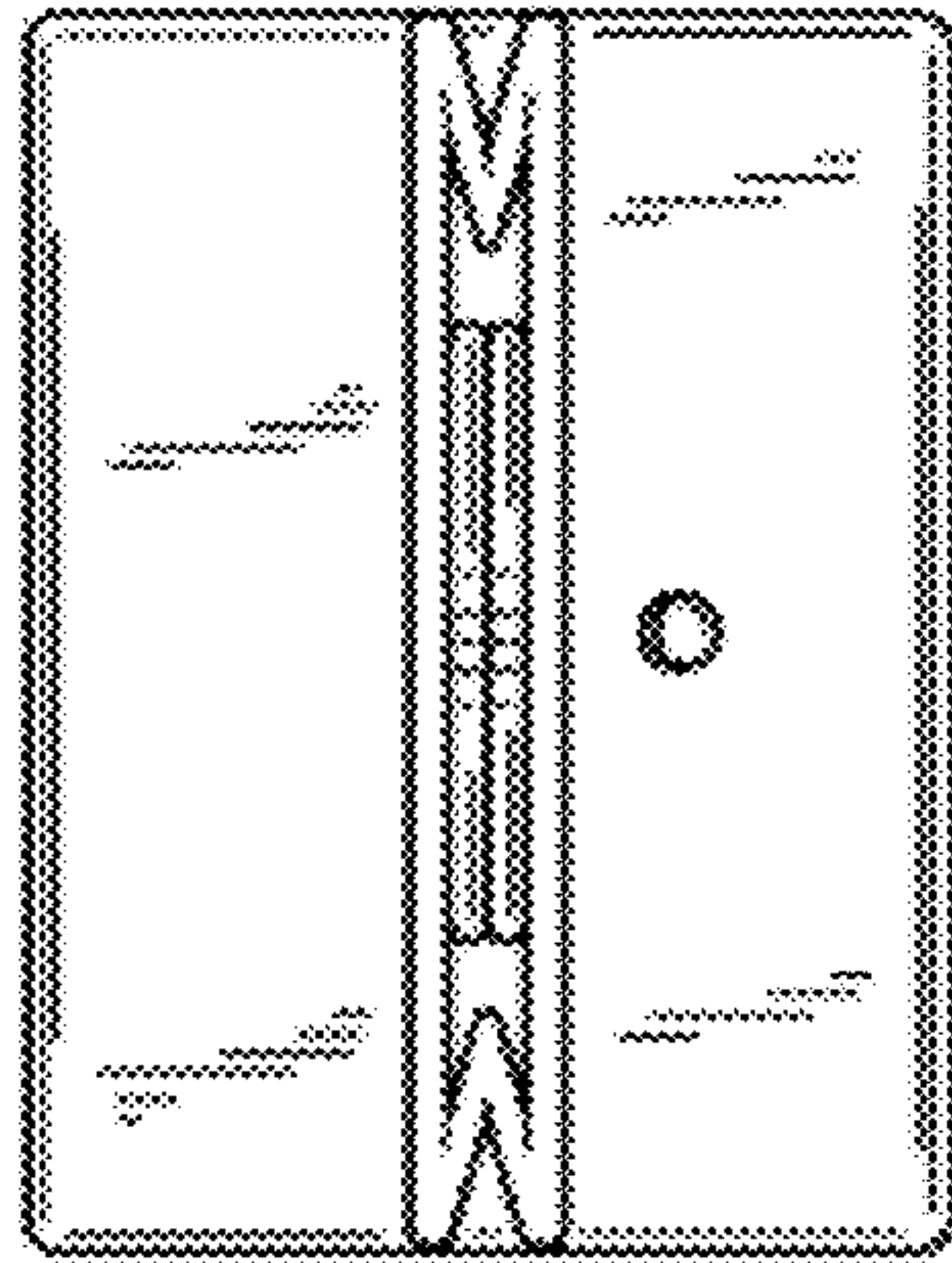


FIG. 11

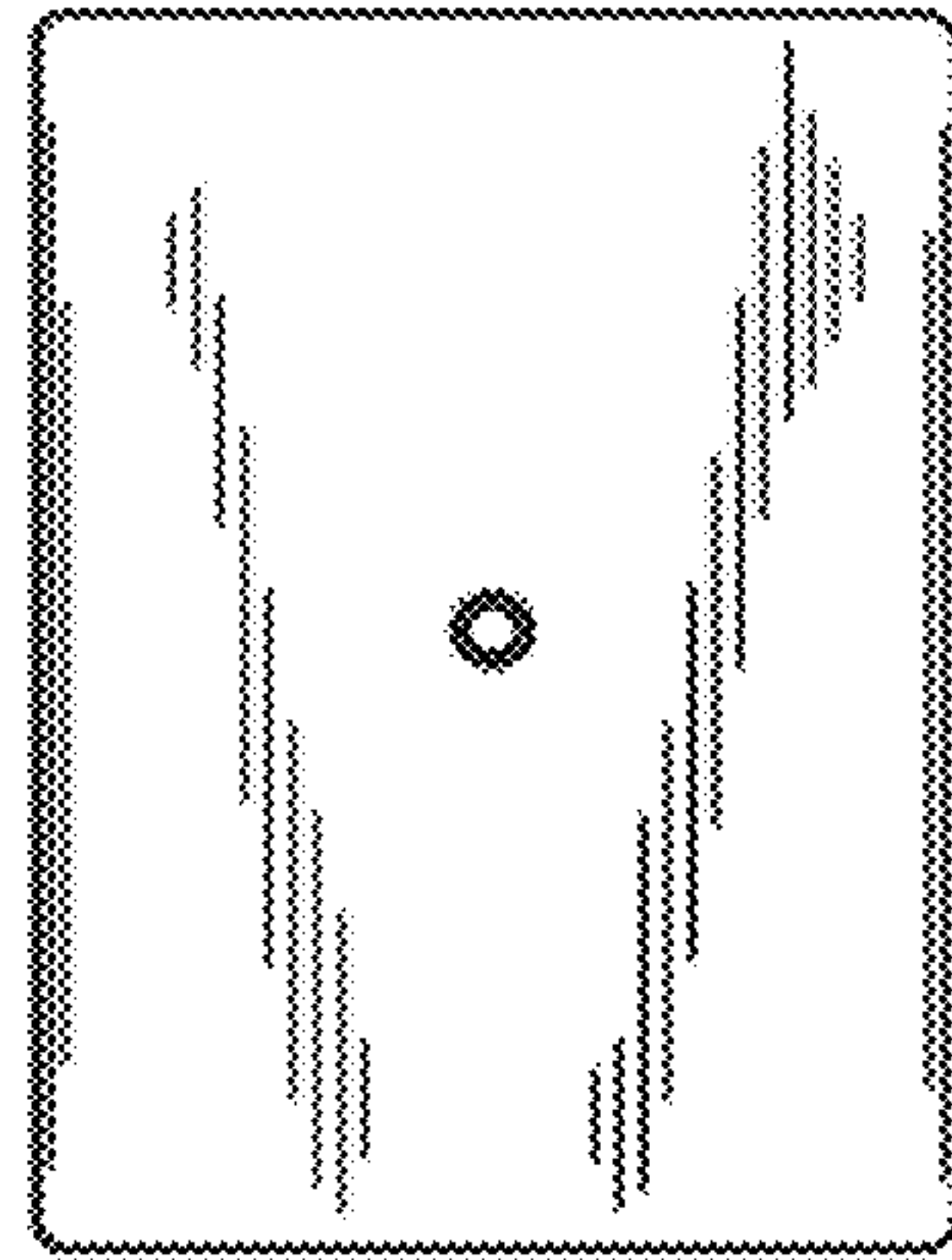


FIG. 12