



US00D656712S

(12) **United States Design Patent**
Jones

(10) **Patent No.:** **US D656,712 S**

(45) **Date of Patent:** **** Apr. 3, 2012**

(54) **PANTS WITH LOWER LEG POCKET**

(76) **Inventor:** **Jason E. Jones**, Littleton, CO (US)

(**) **Term:** **14 Years**

(21) **Appl. No.:** **29/403,975**

(22) **Filed:** **Oct. 13, 2011**

(51) **LOC (9) Cl.** **02-02**

(52) **U.S. Cl.** **D2/742**

(58) **Field of Classification Search** D2/731,
D2/738, 742; 2/227, 228, 238, 242
See application file for complete search history.

(56) **References Cited**

U.S. PATENT DOCUMENTS

1,805,577	A *	5/1931	Freeman	2/227
D344,620	S *	3/1994	Lavell	D2/742
D381,490	S *	7/1997	Torres	D2/742
5,669,078	A	9/1997	Scremin et al.		
5,732,412	A *	3/1998	Holden	2/23
5,765,233	A	6/1998	Hayes		
5,774,892	A *	7/1998	Tisdale et al.	2/69
5,826,273	A *	10/1998	Eckes	2/69
D411,907	S *	7/1999	Kling	D2/742

6,014,771	A *	1/2000	Kirven	2/23
6,745,398	B1 *	6/2004	Hennessey	2/23
7,003,810	B2	2/2006	Goldkind		
D572,878	S	7/2008	Conley		
D591,482	S *	5/2009	Ramirez	D2/742
D624,281	S *	9/2010	Richardson, Jr.	D2/742
7,793,359	B2	9/2010	Spiewak et al.		
2008/0222780	A1	9/2008	Johnson		

* cited by examiner

Primary Examiner — Rashida Johnson

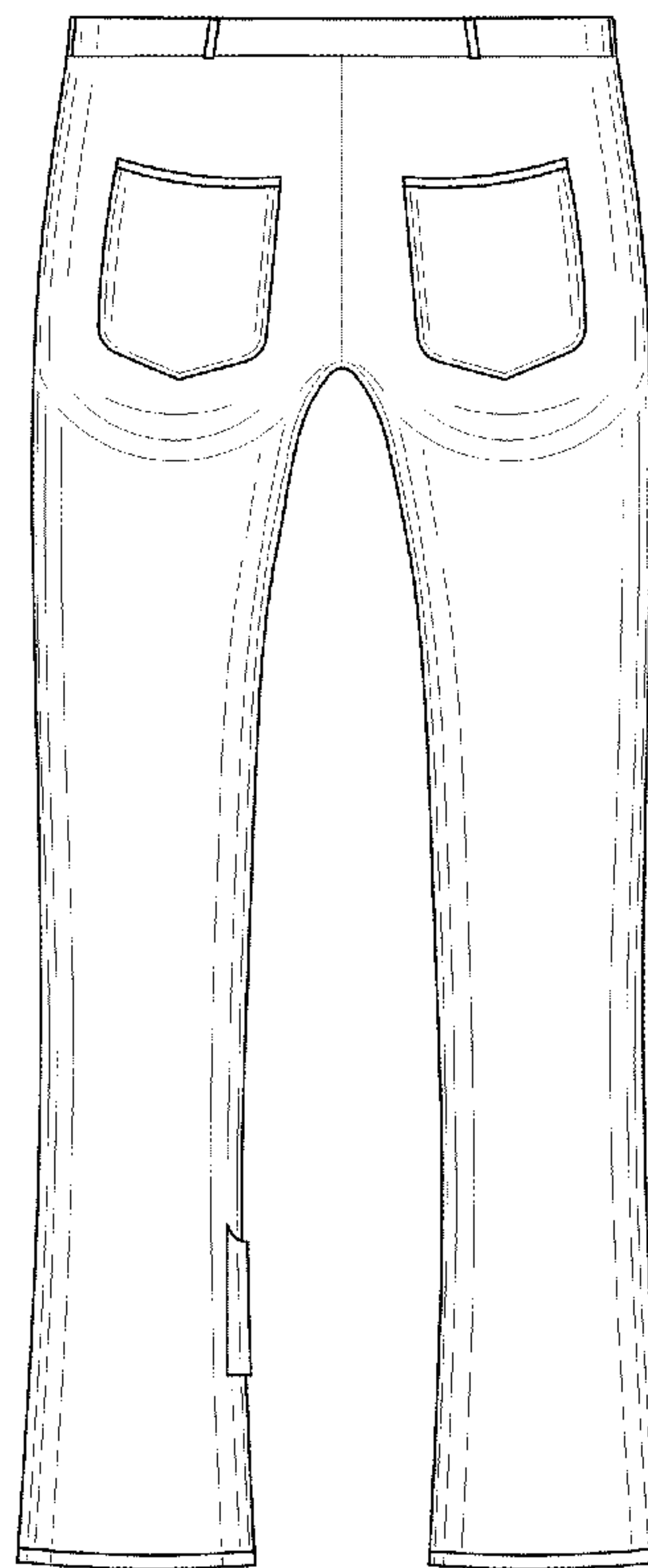
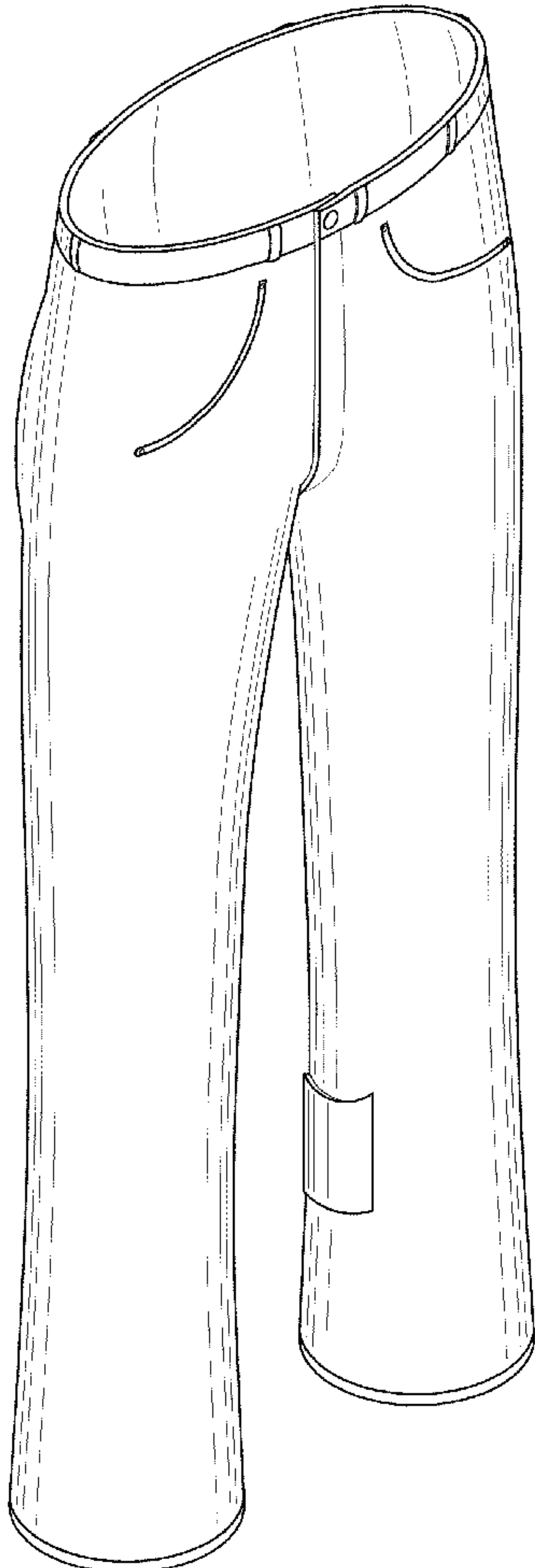
(57) **CLAIM**

The ornamental design for pants with lower leg pocket, as shown and described.

DESCRIPTION

FIG. 1 is a perspective view of pants with lower leg pocket showing my new design;
FIG. 2 is a front view thereof;
FIG. 3 is a back view thereof;
FIG. 4 is a side view thereof;
FIG. 5 is an opposite side view thereof;
FIG. 6 is a top view thereof; and,
FIG. 7 is a bottom view thereof.

1 Claim, 5 Drawing Sheets



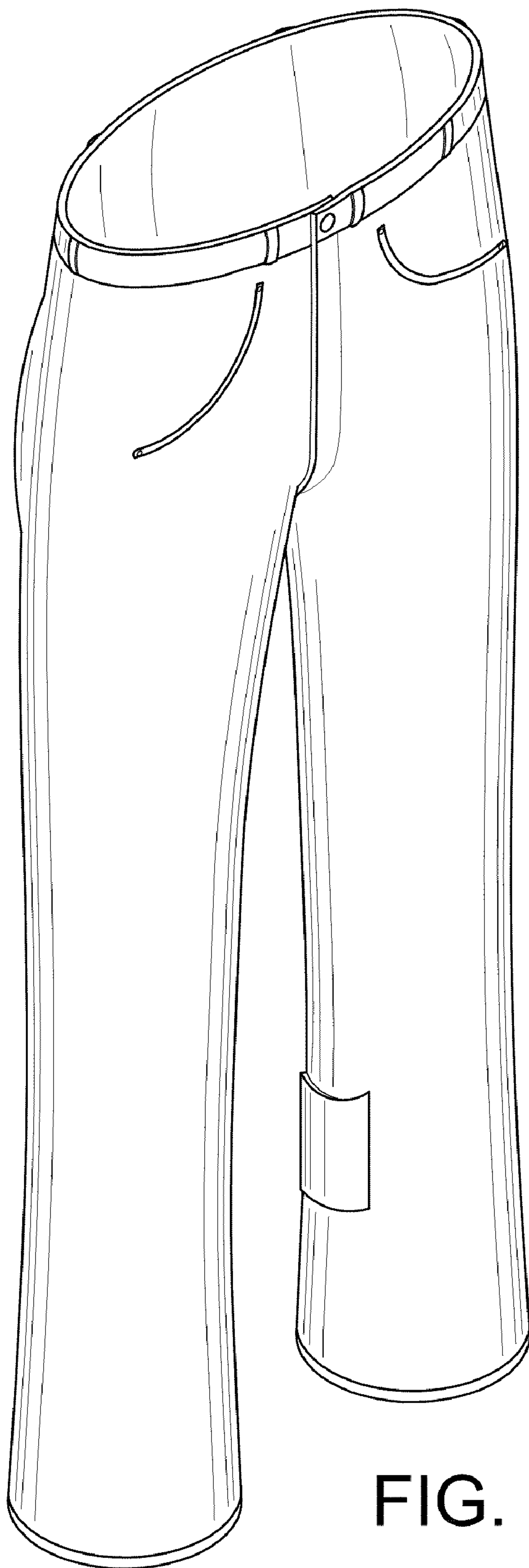


FIG. 1

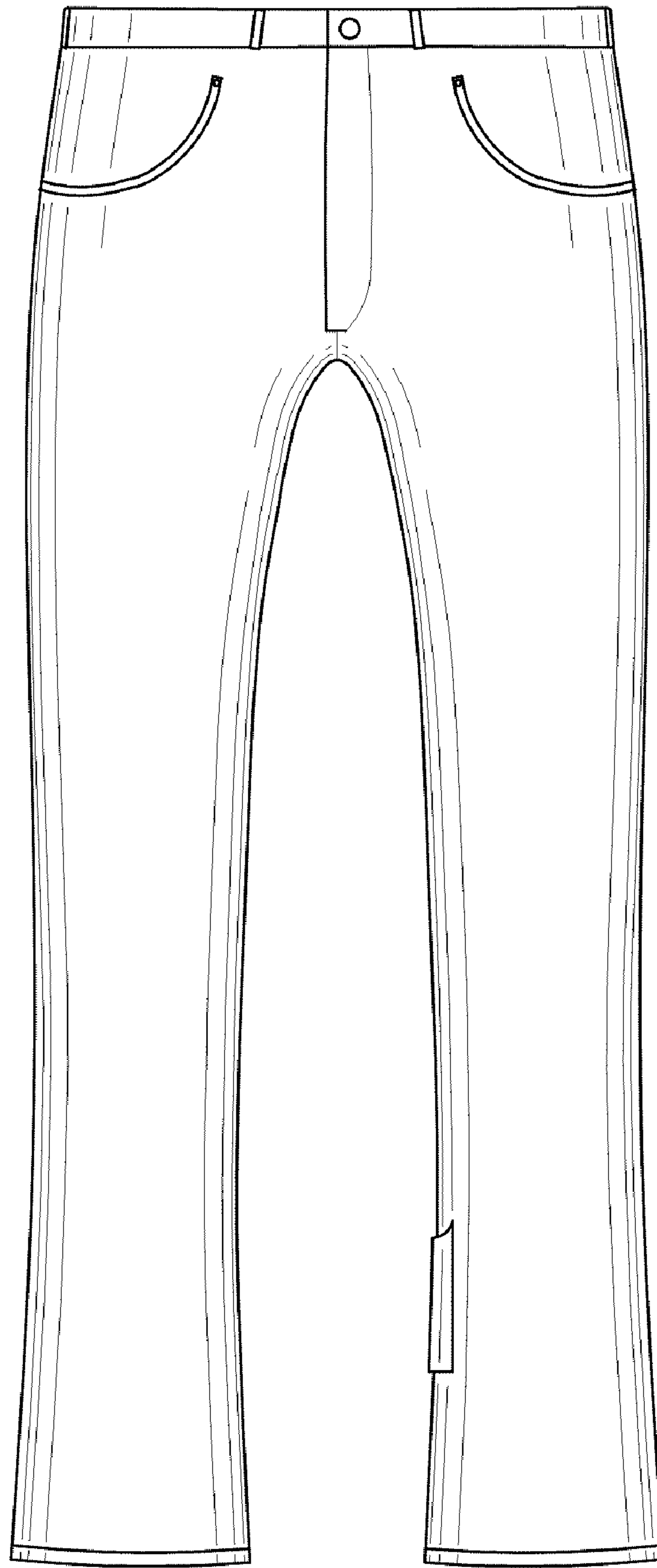


FIG. 2

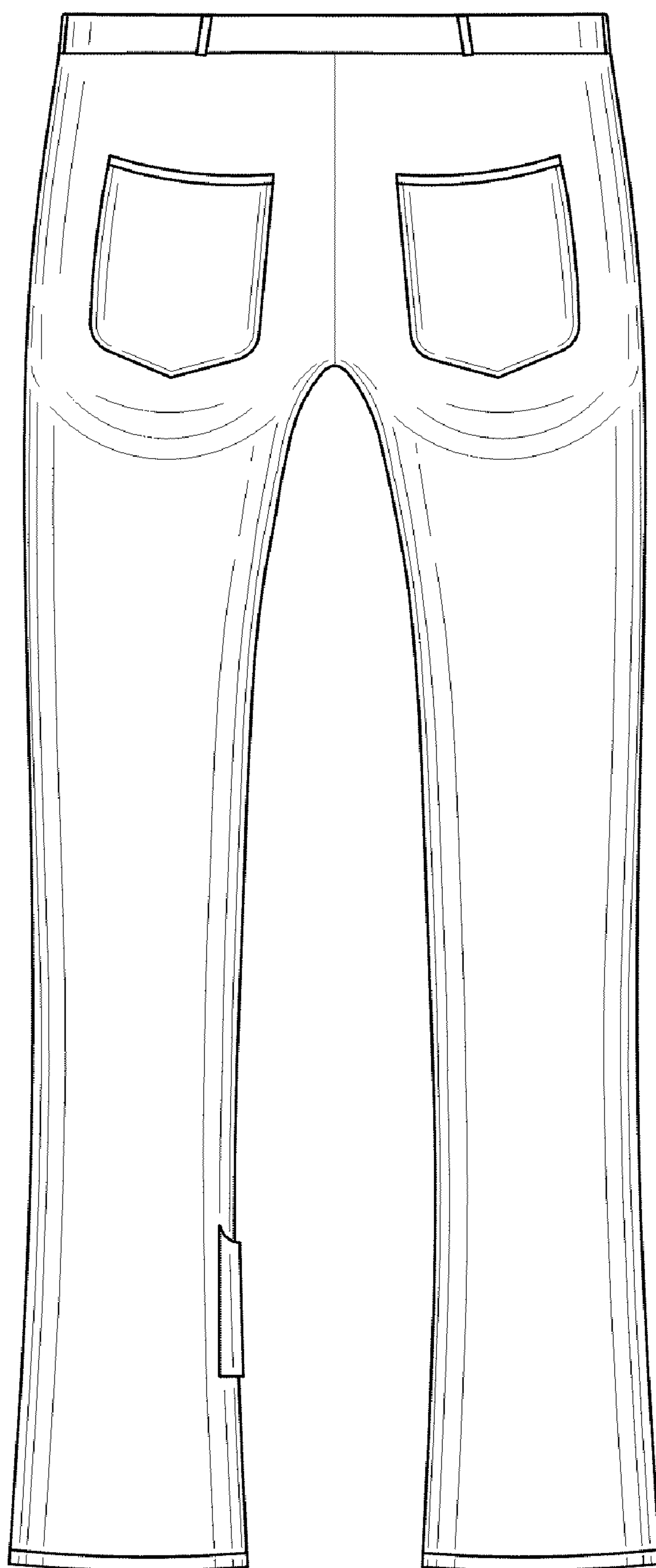


FIG. 3

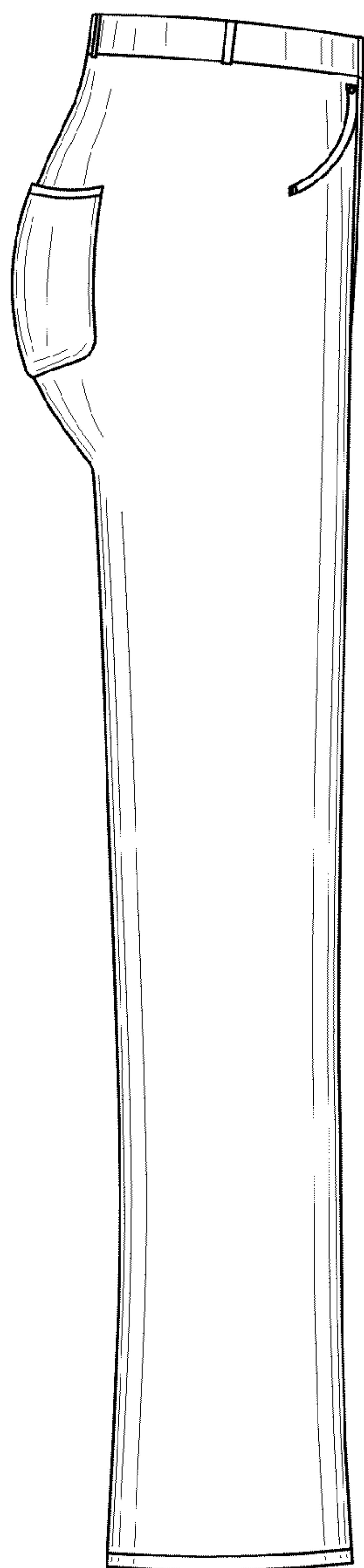


FIG. 4

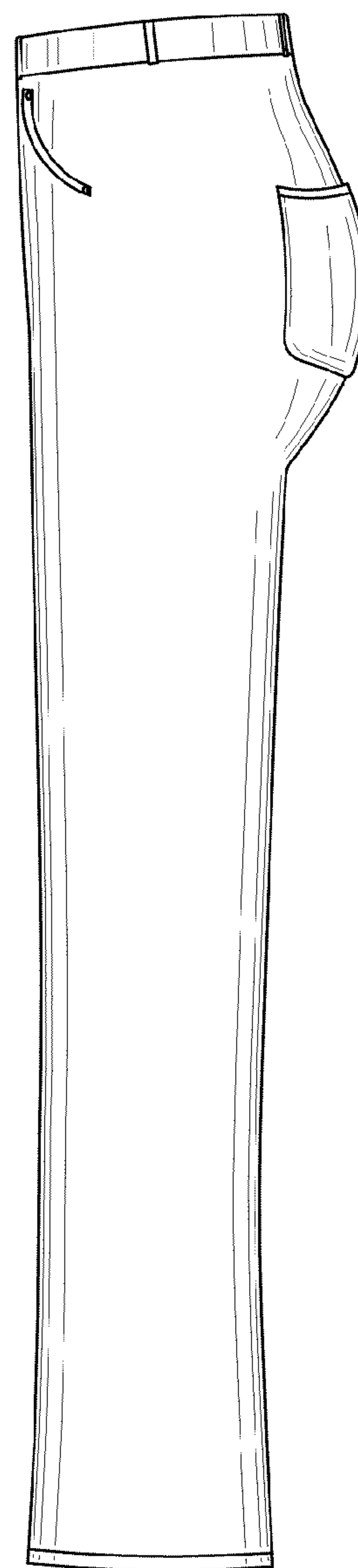


FIG. 5

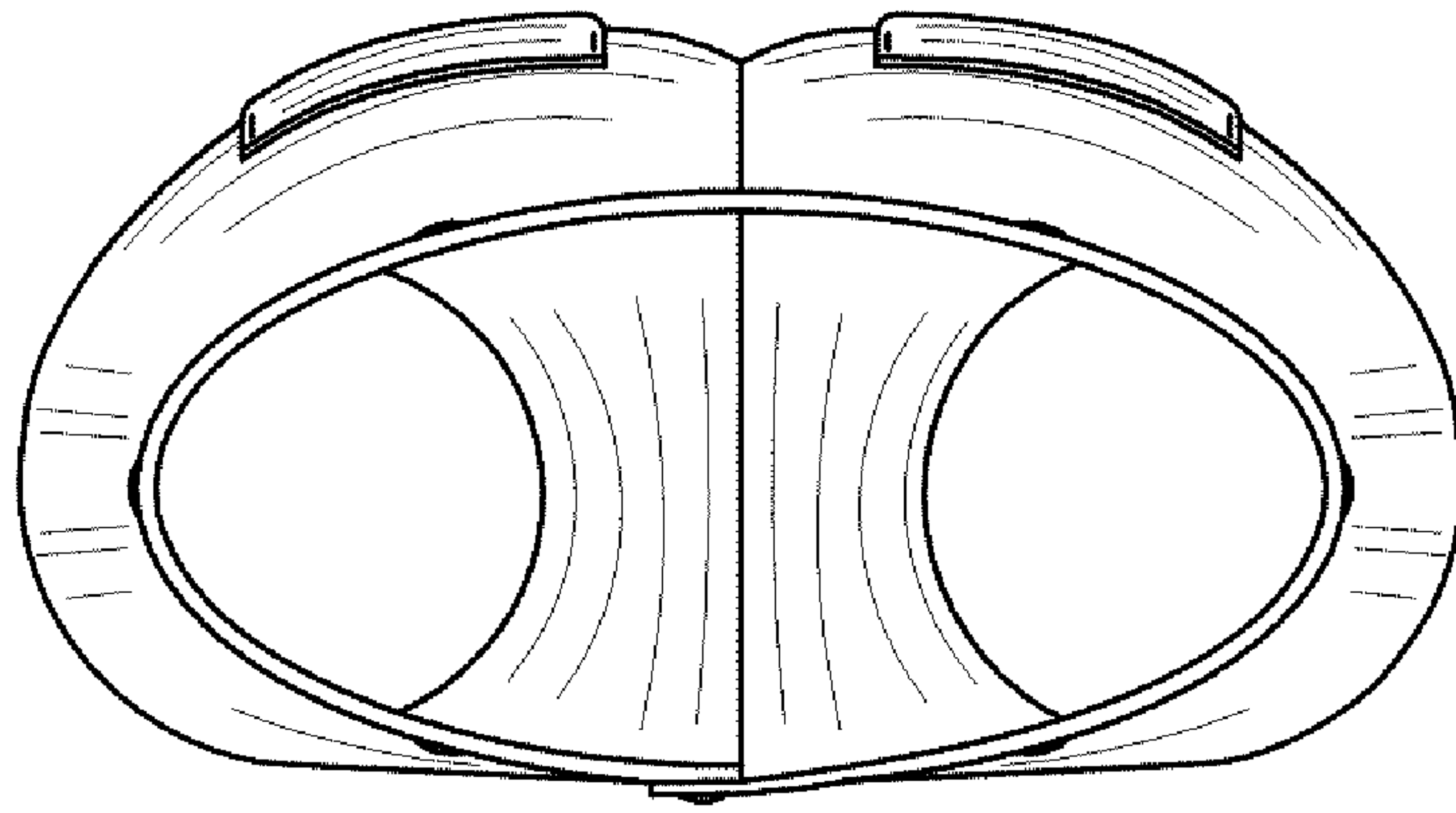


FIG. 6

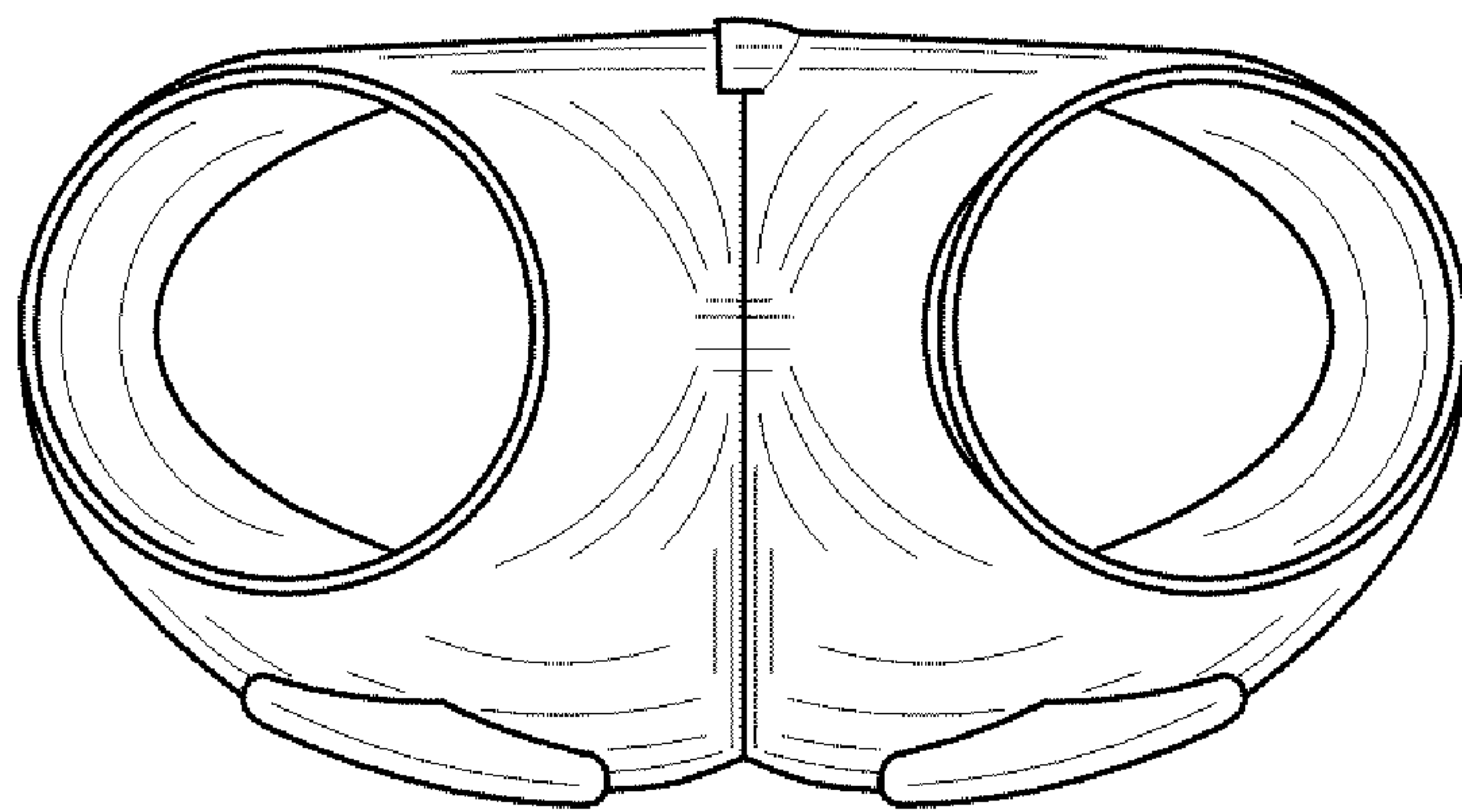


FIG. 7