



US00D656708S

(12) **United States Design Patent**
Ellis

(10) **Patent No.:** **US D656,708 S**

(45) **Date of Patent:** **** Apr. 3, 2012**

(54) **MEN'S UNDERGARMENT**

(75) Inventor: **Shawn Ellis, Kelowna (CA)**

(73) Assignee: **0912139 B.C. Ltd., Kelowna (CA)**

(**) Term: **14 Years**

(21) Appl. No.: **29/351,009**

(22) Filed: **Nov. 26, 2009**

(51) **LOC (9) Cl.** **02-01**

(52) **U.S. Cl.** **D2/712**

(58) **Field of Classification Search** D2/712,
D2/713, 714, 715, 716, 717, 728, 731, 732,
D2/738, 742, 743, 744, 747, 860; 2/69, 70,
2/71, 72, 73, 78.1, 78.2, 78.3, 78.4, 134,
2/227, 228, 237, 311, 400, 401, 402, 403,
2/405, 406, 407, 408; 602/67

See application file for complete search history.

(56) **References Cited**

U.S. PATENT DOCUMENTS

650,954	A *	6/1900	Scriven	2/401
1,973,849	A *	9/1934	Erlanger	2/404
2,138,481	A *	11/1938	Chatfield	602/69
2,416,857	A *	3/1947	Trinkel	2/237
4,173,976	A *	11/1979	Bloomquist et al.	602/67

D353,933	S *	1/1995	Michels	D2/712
D445,239	S *	7/2001	Harris	D2/712
7,017,193	B2 *	3/2006	Auger	2/403
D548,928	S *	8/2007	Wong	D2/742

* cited by examiner

Primary Examiner — Karen E Eldridge Powers

(74) *Attorney, Agent, or Firm* — Oyen Wiggs Green & Mutala LLP

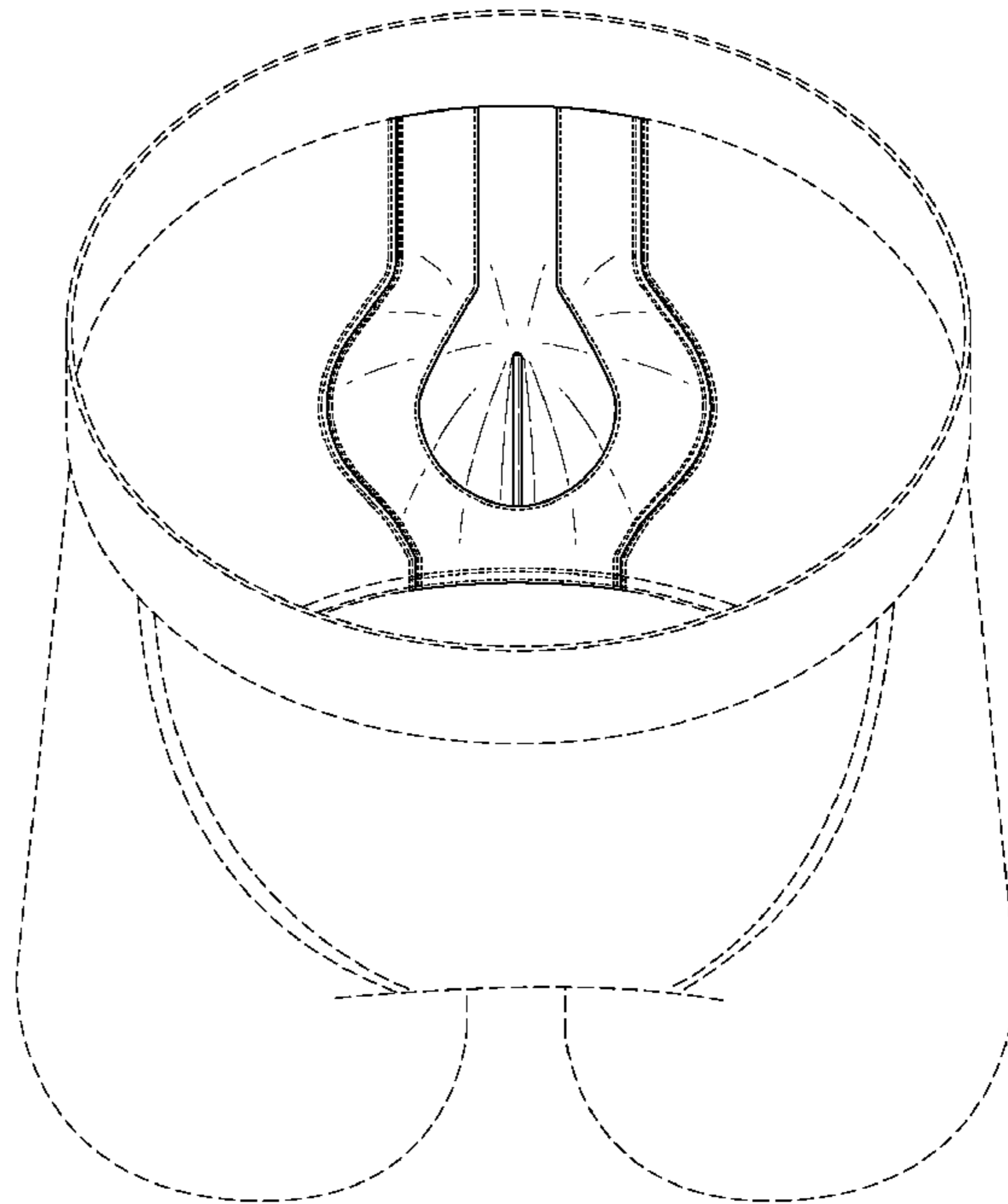
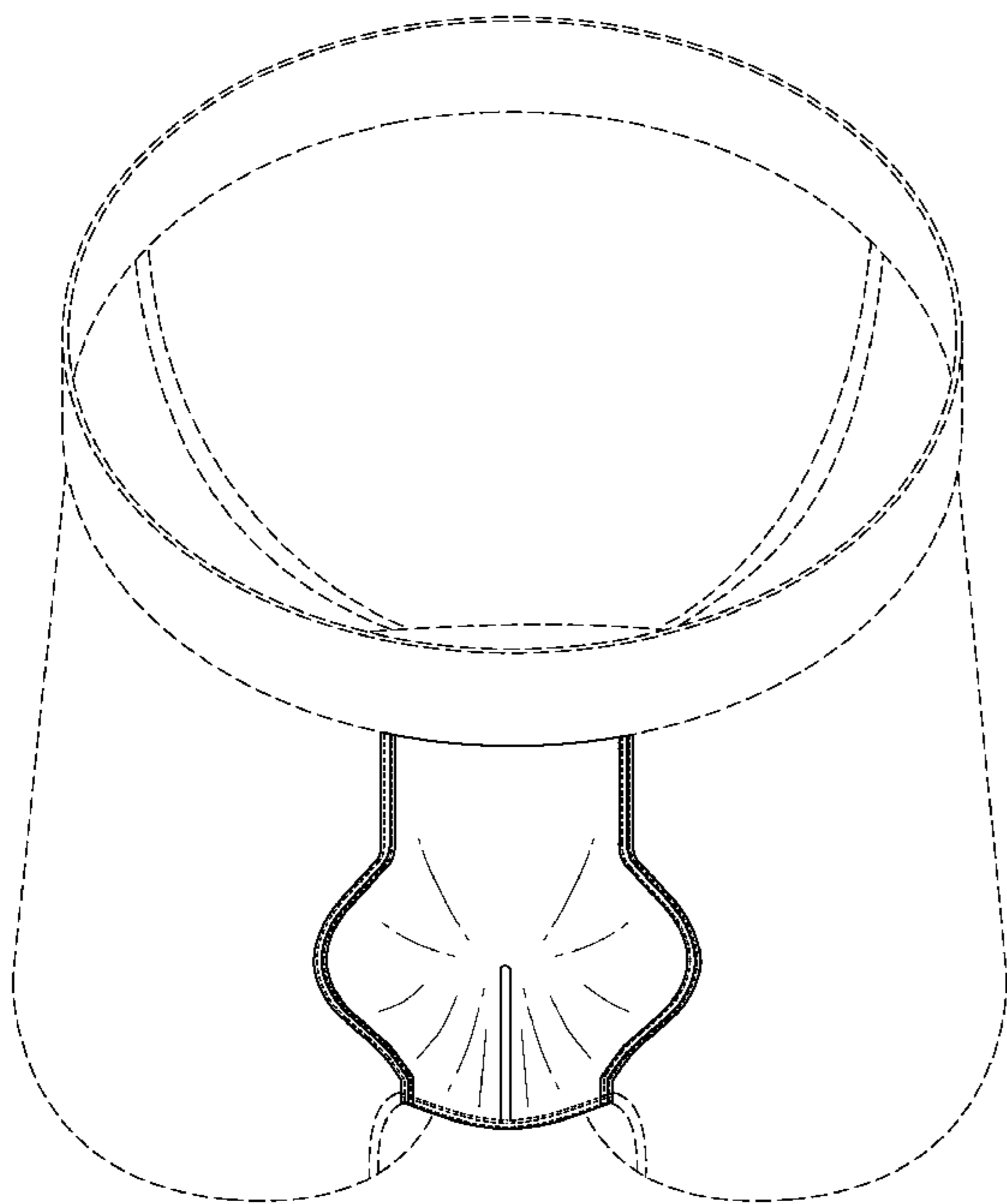
(57) **CLAIM**

I claim the ornamental design for a men's undergarment, as shown and described.

DESCRIPTION

FIG. 1 is a front perspective view of the men's undergarment. FIG. 2 is a back perspective view of the men's undergarment. FIG. 3 is a side view of the men's undergarment. FIG. 4 is a front view of the men's undergarment. FIG. 5 is a back view of the men's undergarment. FIG. 6 is a top plan view of the men's undergarment; and, FIG. 7 is a bottom plan view of the men's undergarment. The long dash line showing of portions of a men's undergarment are for the purpose of illustrating environmental structure and form no part of the design. The short dashed lines shown on the claimed design are stitching.

1 Claim, 6 Drawing Sheets



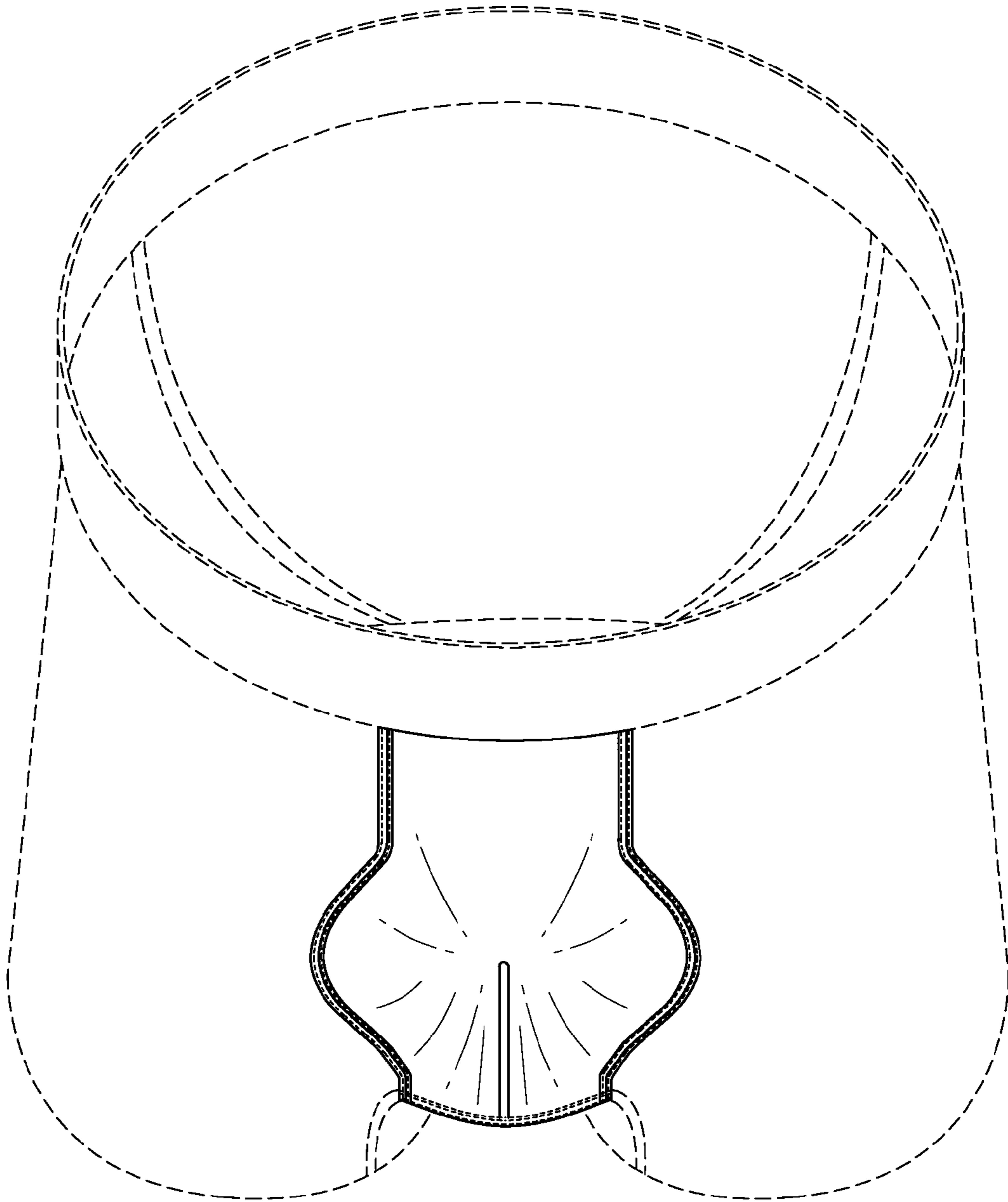


FIG. 1

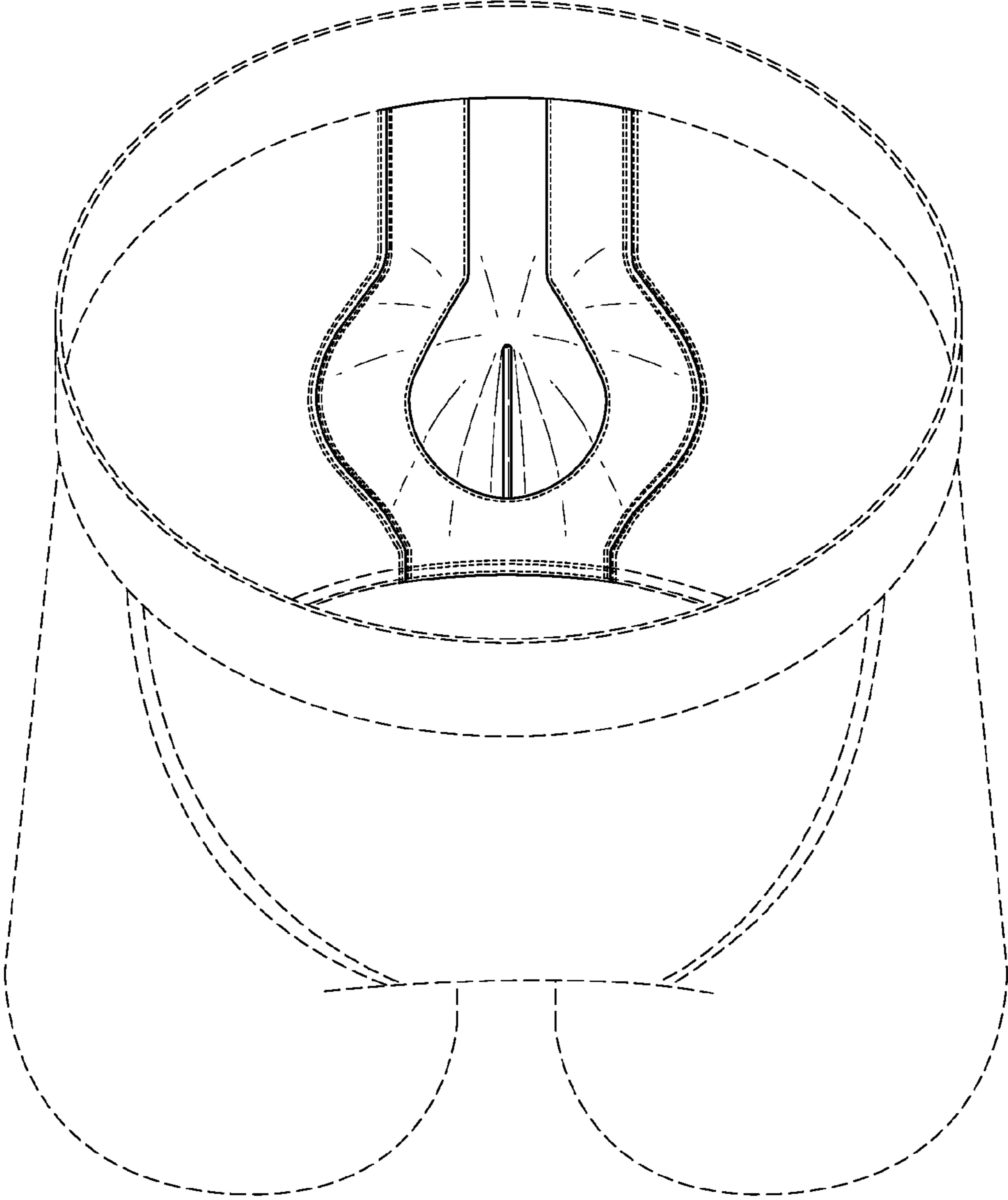


FIG. 2

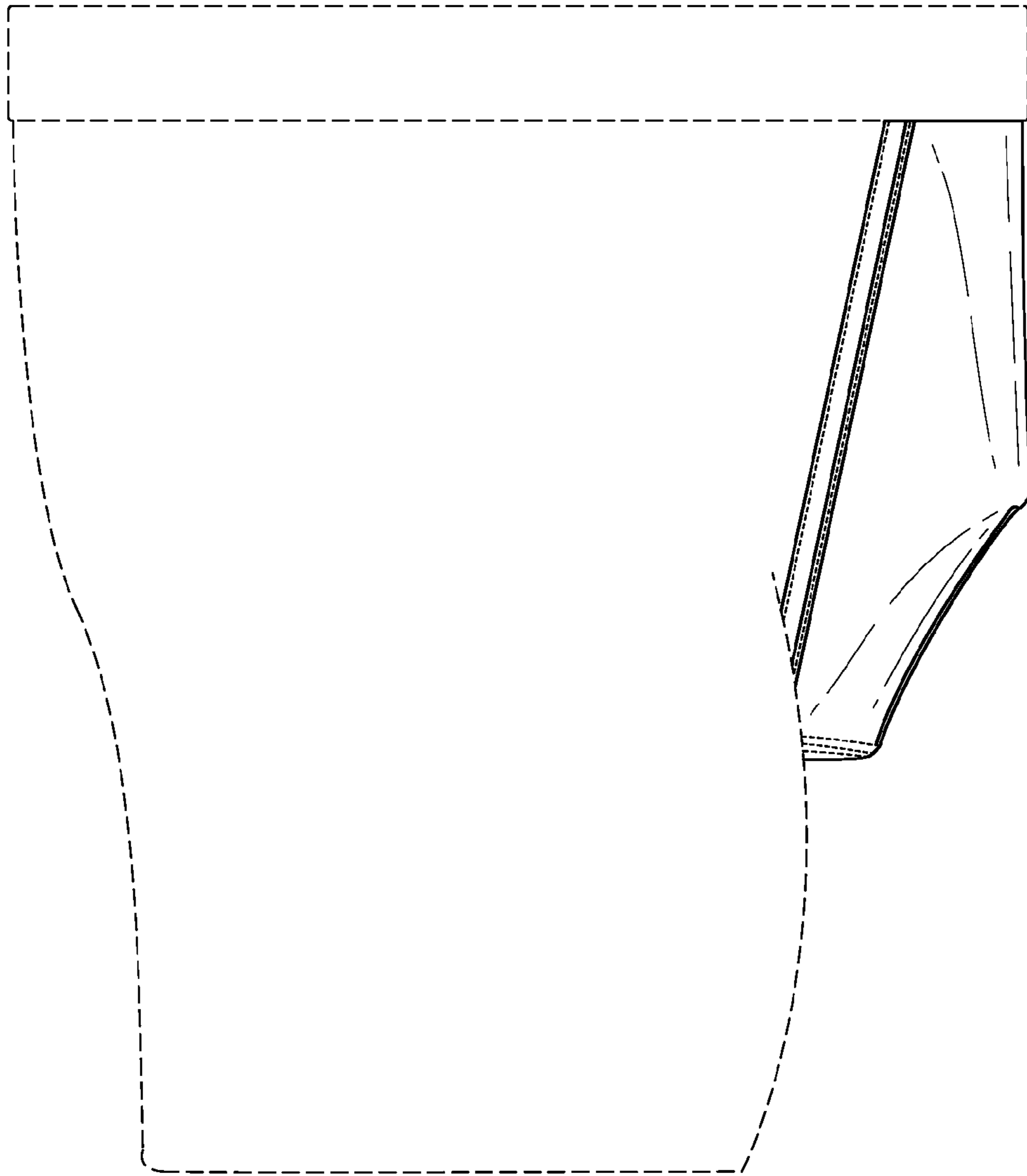


FIG. 3

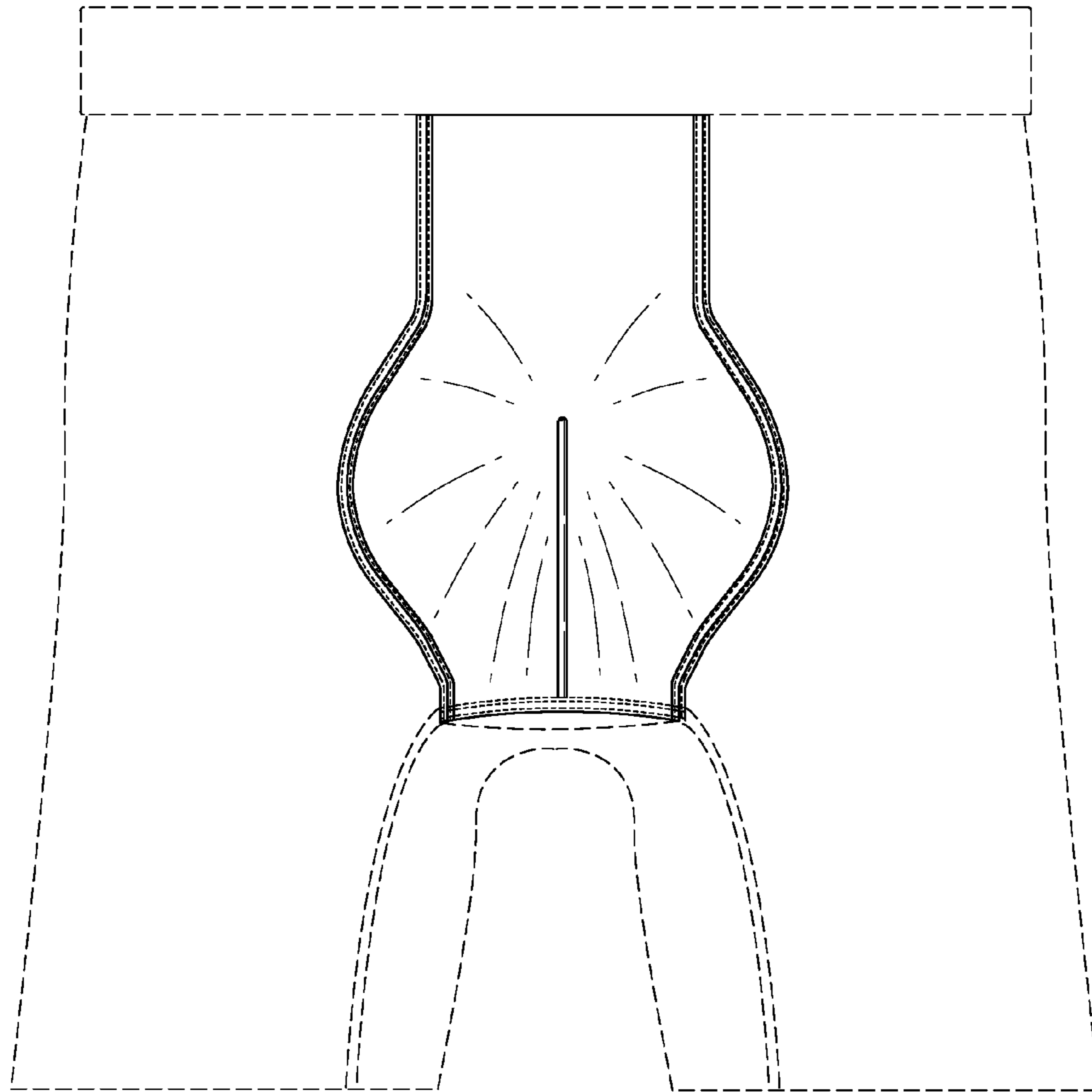


FIG. 4

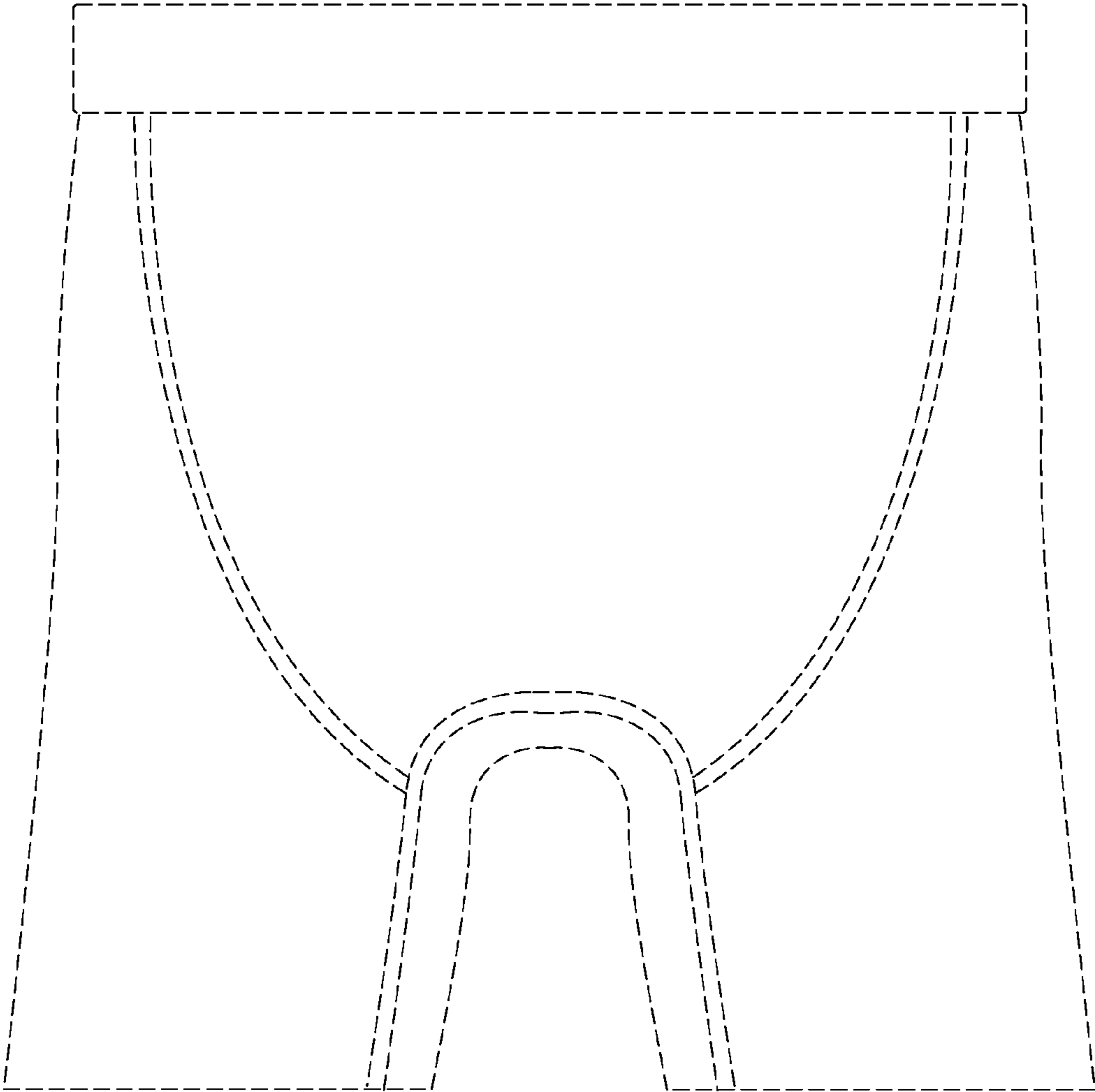


FIG. 5

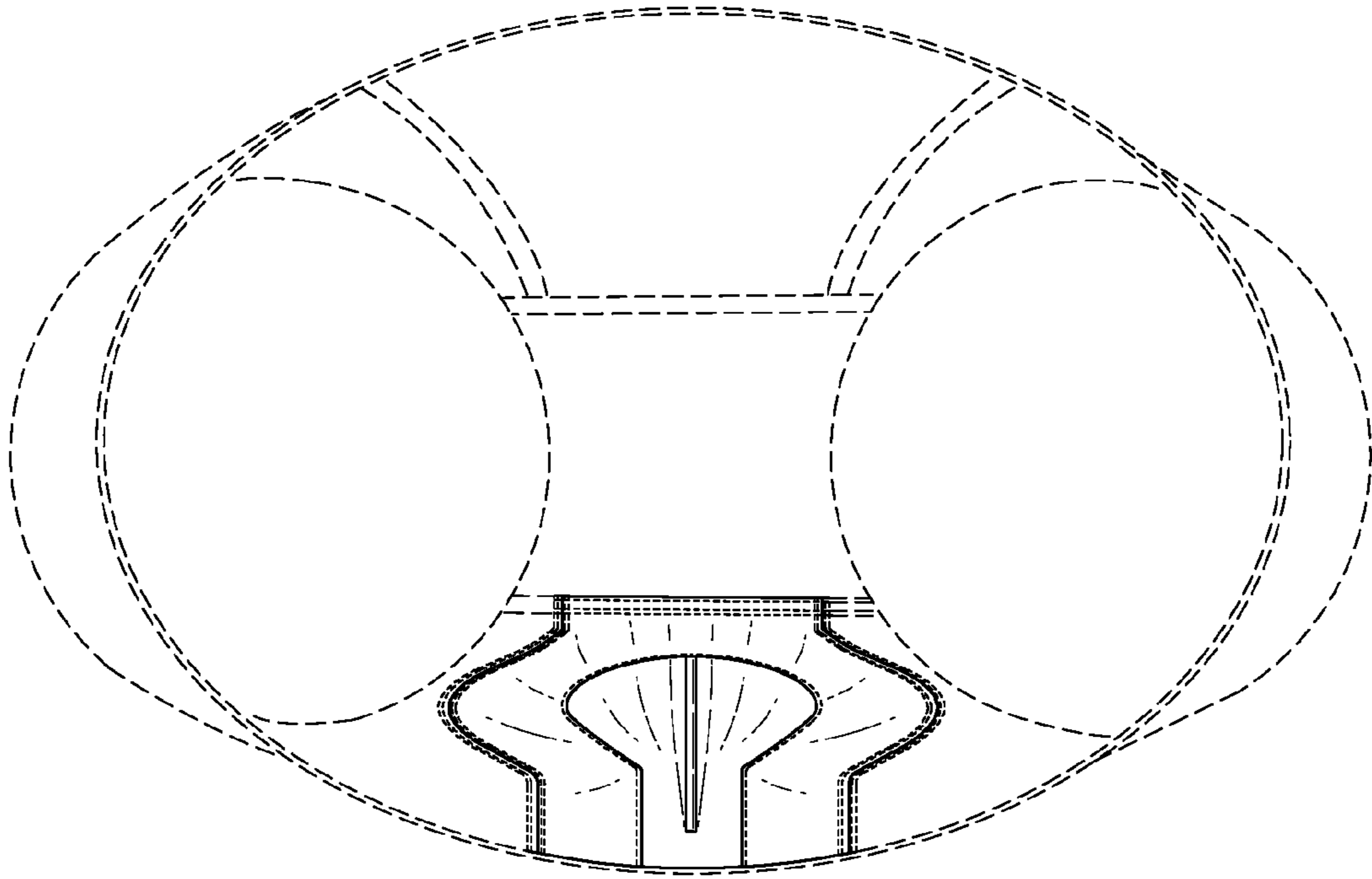


FIG. 6

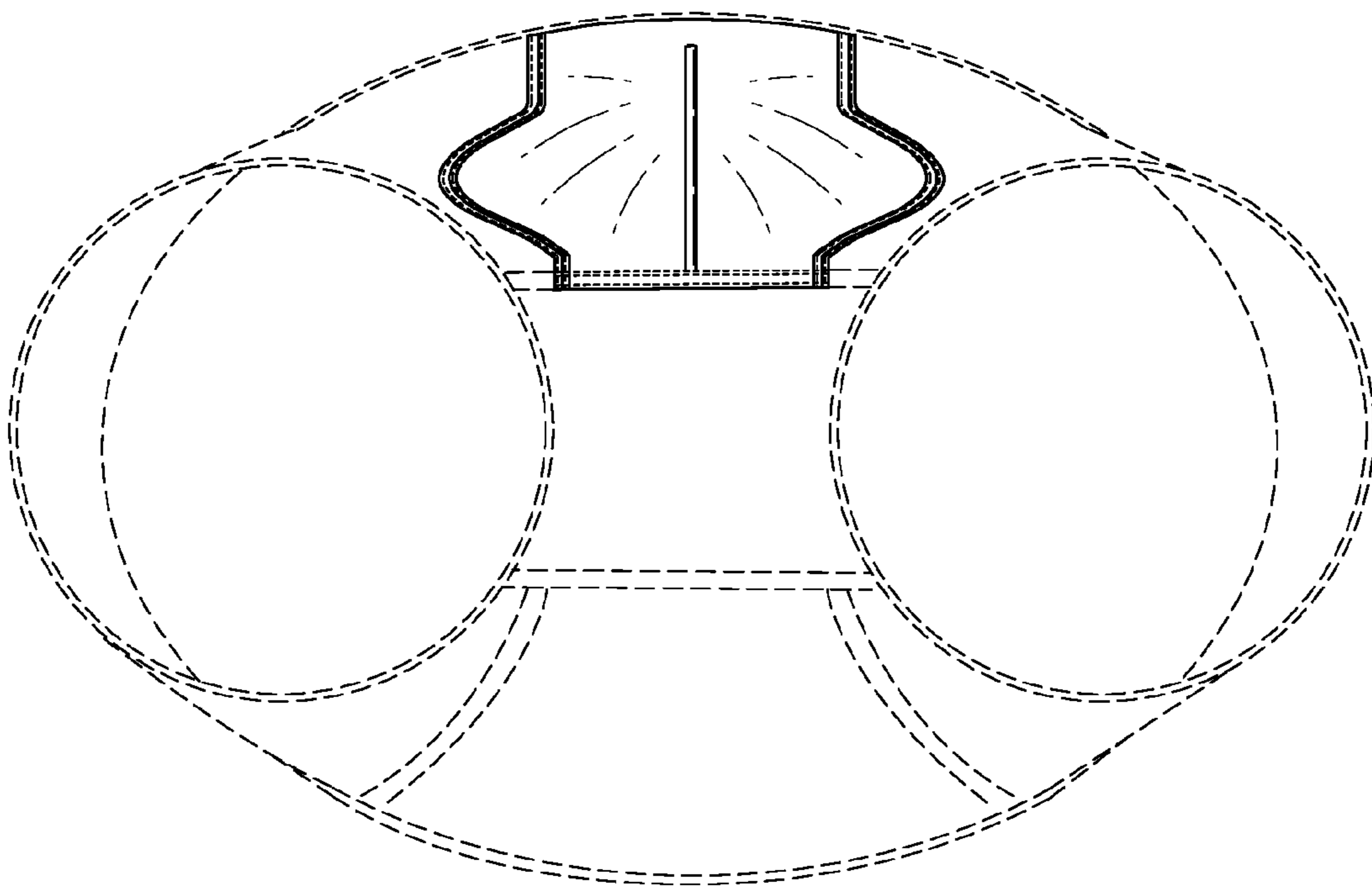


FIG. 7