



US00D656705S

(12) **United States Design Patent**
Fling

(10) **Patent No.:** **US D656,705 S**
(45) **Date of Patent:** **** Mar. 27, 2012**

(54) **CARDBOARD PALLET**

(76) Inventor: **Daniel Palmer Fling**, Herndon, VA (US)

(**) Term: **14 Years**

(21) Appl. No.: **29/371,164**

(22) Filed: **Nov. 5, 2010**

(51) **LOC (9) Cl.** **09-08**

(52) **U.S. Cl.** **D34/38**

(58) **Field of Classification Search** D34/38;
108/51.11, 51.3, 52.1, 53.1, 55.3, 53.5
See application file for complete search history.

(56) **References Cited**

U.S. PATENT DOCUMENTS

3,302,593	A *	2/1967	Roberts	108/51.3
D219,582	S *	12/1970	Stout, Jr.	D34/38
3,976,013	A *	8/1976	Woodford	108/56.3
D337,406	S *	7/1993	Herring et al.	D34/38
5,329,861	A *	7/1994	McCarthy	108/51.3

D433,208 S * 10/2000 Elder D34/38
D476,789 S * 7/2003 Apps et al. D34/38
2008/0210140 A1 * 9/2008 Valentinsson 108/57.25
* cited by examiner

Primary Examiner — Cynthia Ramirez

(57) **CLAIM**

The ornamental design for a cardboard pallet, as shown and described.

DESCRIPTION

FIG. 1 is a perspective view of a cardboard pallet showing my new design;

FIG. 2 is a side view, the other side being a mirror image thereof;

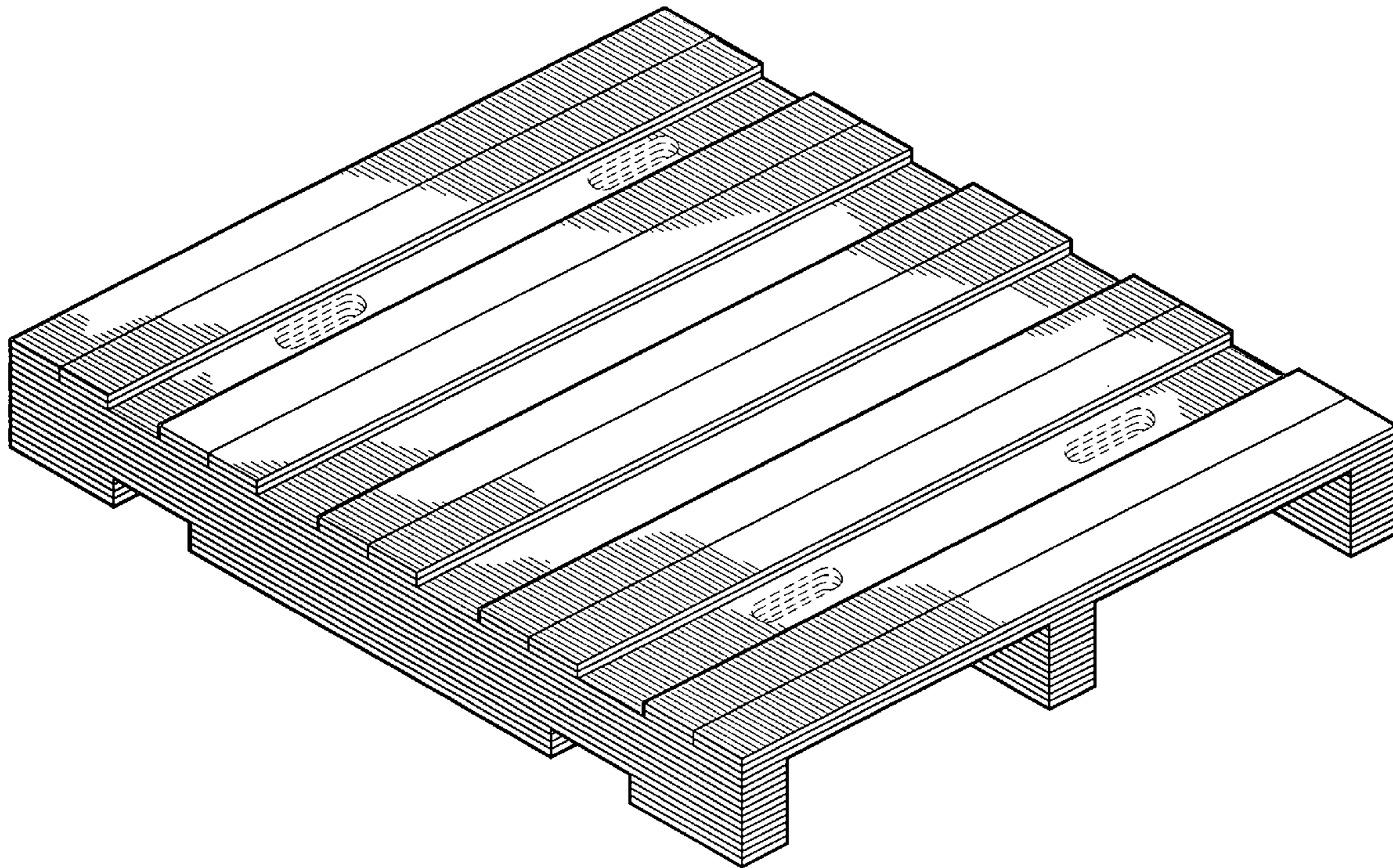
FIG. 3 is a front view, the rear being a mirror image thereof;

FIG. 4 is a top view thereof; and,

FIG. 5 is a bottom view thereof.

The broken lines in the drawings are included for the purpose of illustrating environment and form no part of the claimed design.

1 Claim, 4 Drawing Sheets



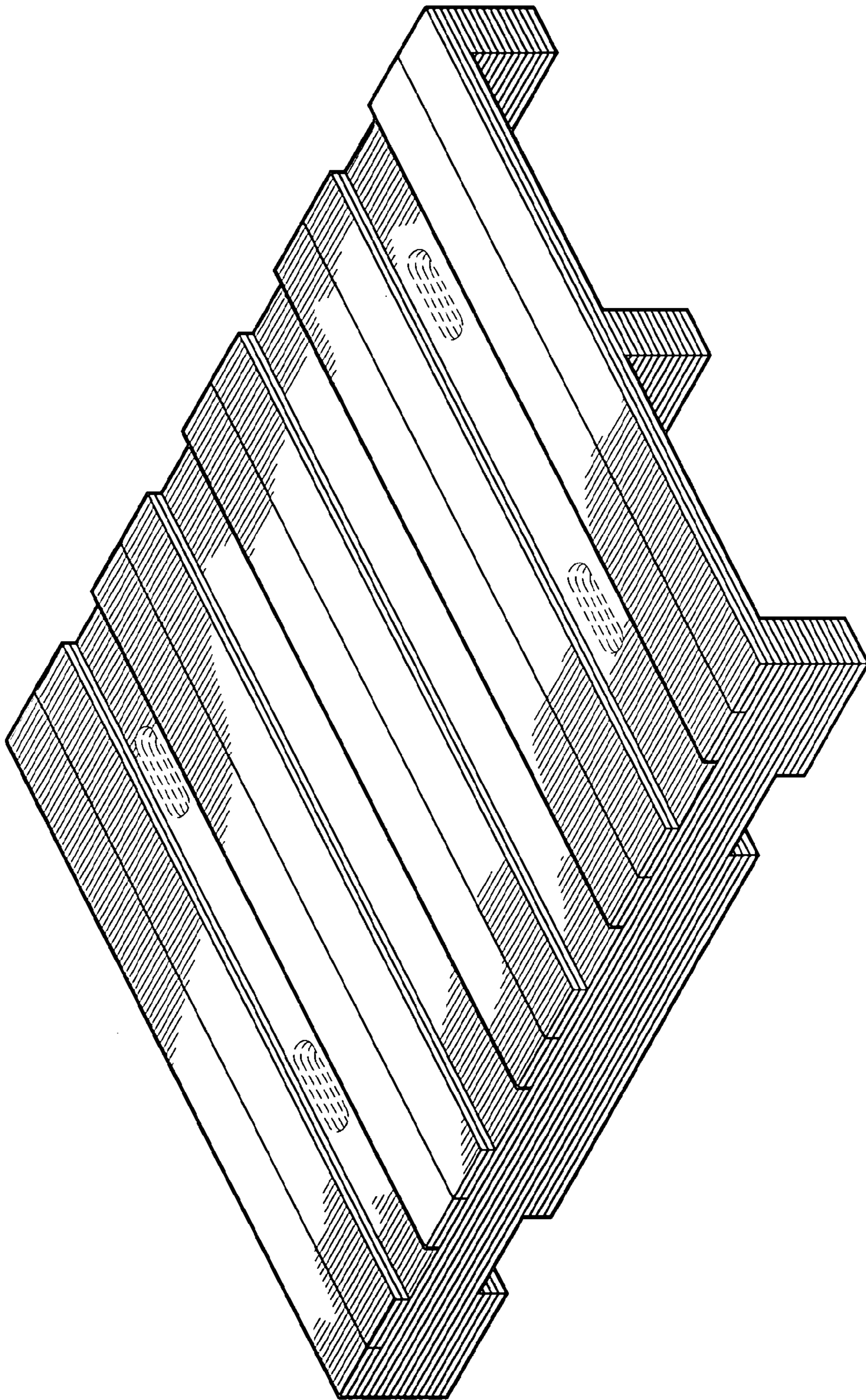


FIG. 1

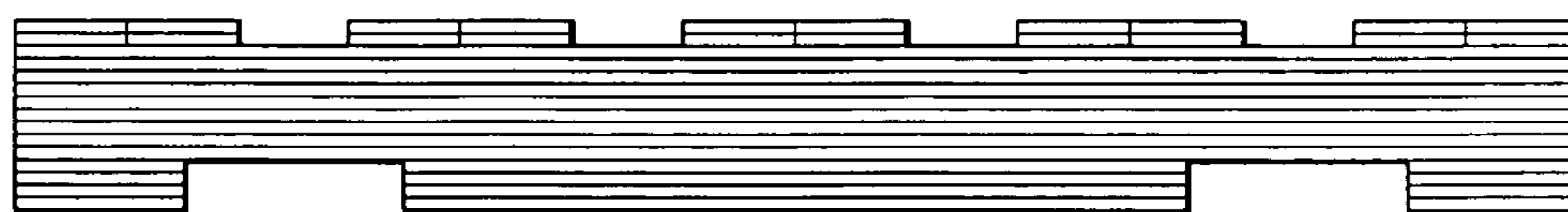


FIG. 2

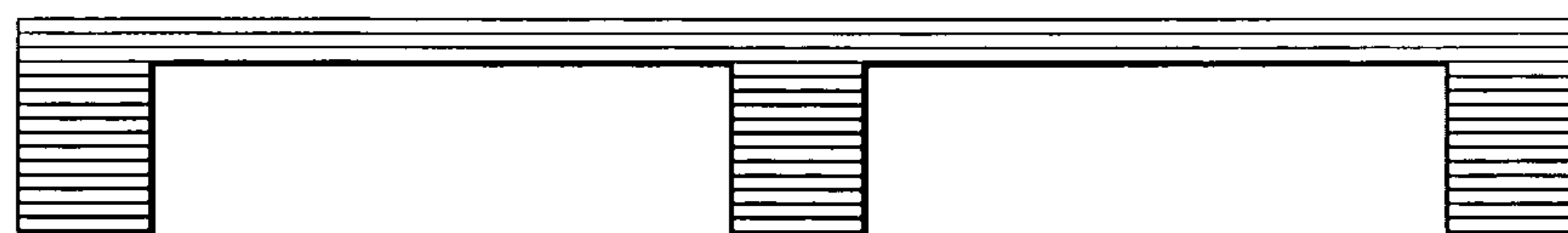


FIG. 3

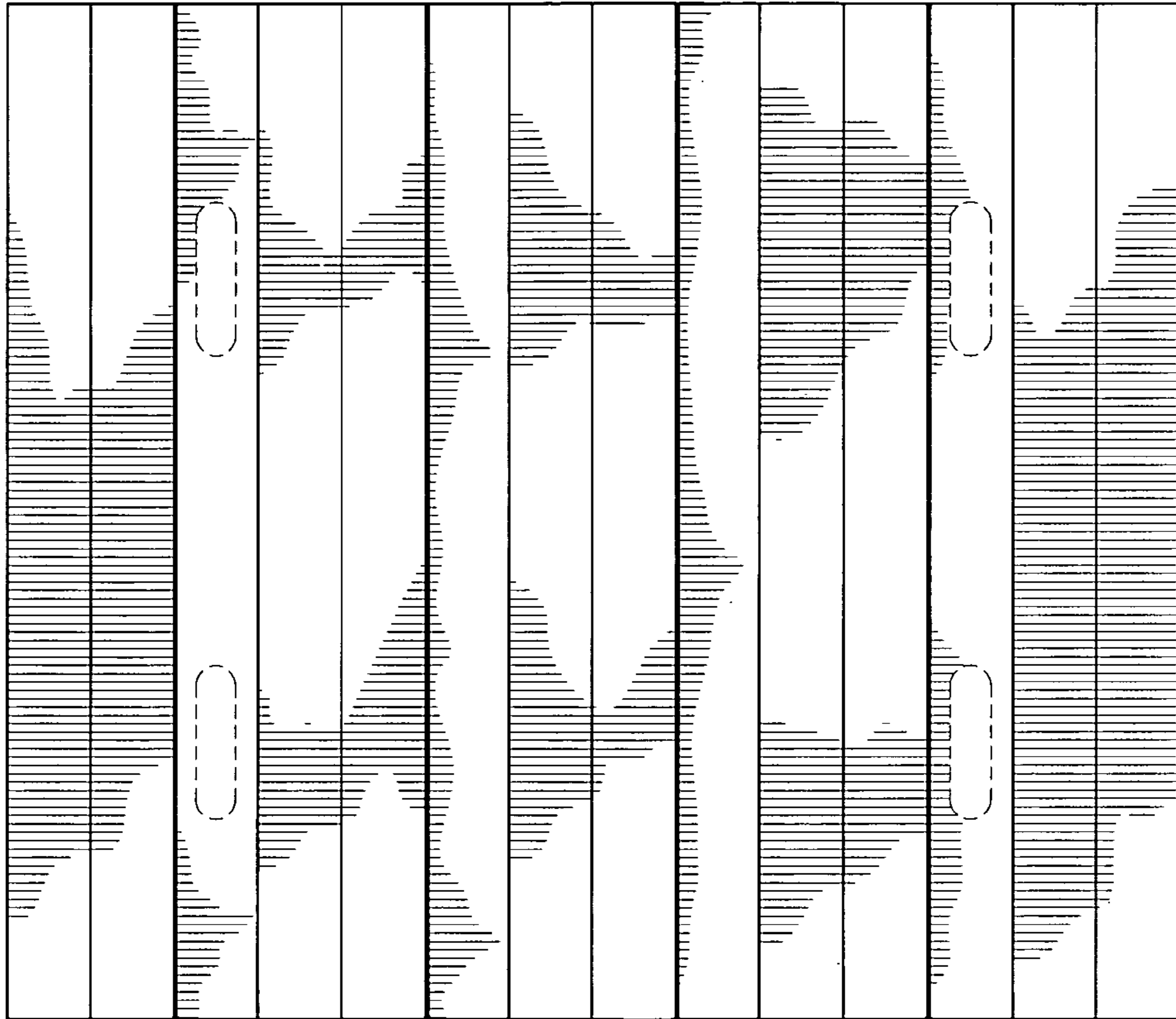


FIG.4

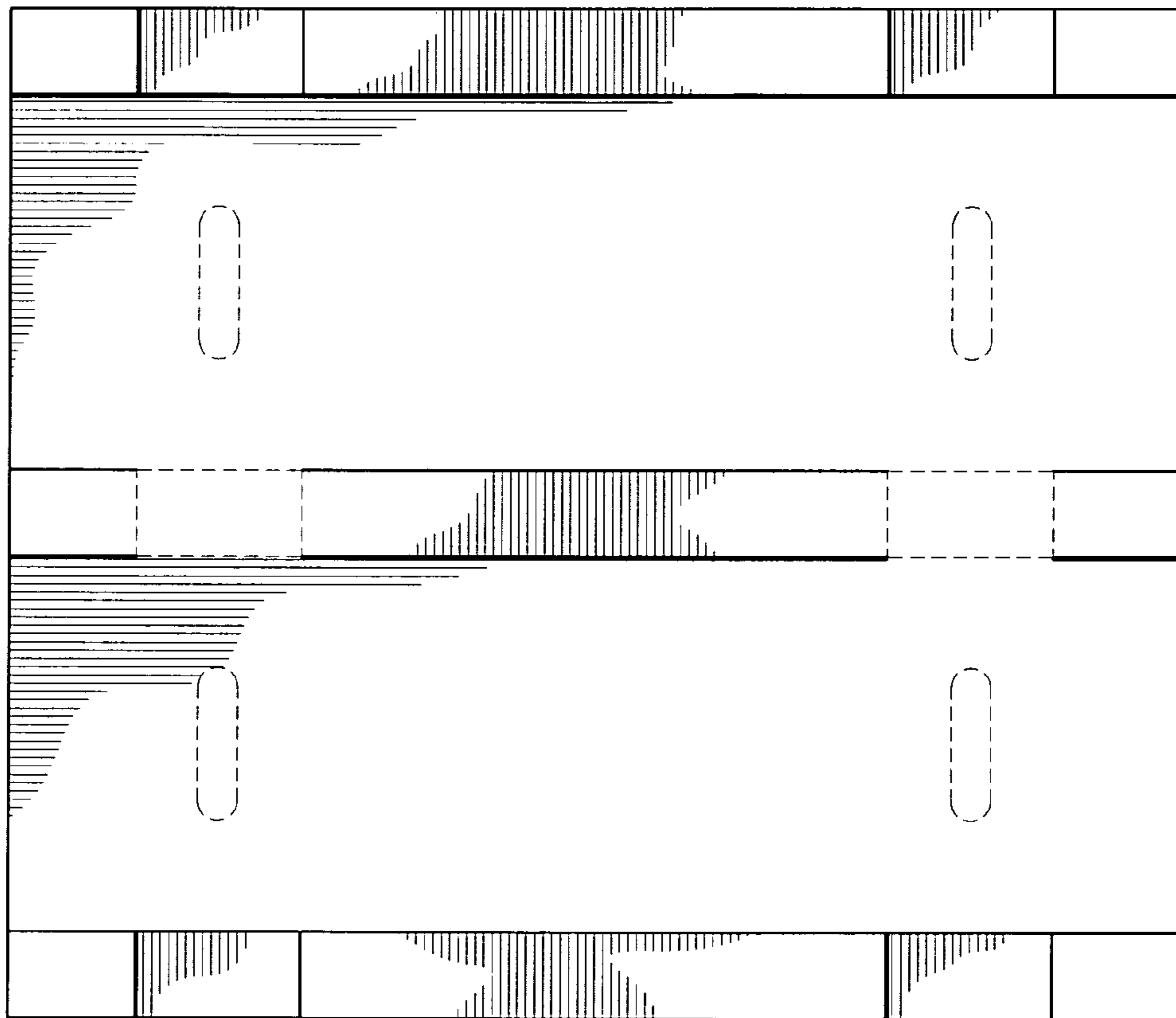


FIG. 5