



US00D656700S

(12) **United States Design Patent**  
**Walter**

(10) **Patent No.:** **US D656,700 S**  
(45) **Date of Patent:** **\*\* Mar. 27, 2012**

(54) **SET OF CART BASKETS**

(75) Inventor: **Ivor Michel Walter**, Boulder, CO (US)

(73) Assignee: **ASMA, Inc.**, Boulder, CO (US)

(\*\*) Term: **14 Years**

(21) Appl. No.: **29/388,157**

(22) Filed: **Mar. 24, 2011**

(51) **LOC (9) Cl.** ..... **12-02**

(52) **U.S. Cl.** ..... **D34/27**

(58) **Field of Classification Search** ..... D34/12-27;  
280/33.992, 33.991, 33.993, 47.34, 79.11;  
220/334

See application file for complete search history.

(56) **References Cited**

**U.S. PATENT DOCUMENTS**

3,039,564 A 6/1962 Shaukis  
(Continued)

**OTHER PUBLICATIONS**

Peggs KNM075GT Scan of website [[http://www.thepeggscompany.com/shopping\\_carts/large\\_view/2\\_tier.html](http://www.thepeggscompany.com/shopping_carts/large_view/2_tier.html)] showing prior art cart manufactured by Peggs.

(Continued)

*Primary Examiner* — Cynthia Ramirez

(74) *Attorney, Agent, or Firm* — Margaret Polson; Oppedahl Patent Law Firm LLC

(57) **CLAIM**

The ornamental design for a set of cart baskets, as shown and described.

**DESCRIPTION**

FIG. 1 is a front perspective view of the first embodiment for a set of cart baskets showing my new design; FIG. 2 is a side elevation view of the right and left sides, which are mirror images, of FIG. 1.

FIG. 3 is a front side elevation view of FIG. 1.

FIG. 4 is back side elevation view of FIG. 1.

FIG. 5 is a top plan view of FIG. 1.

FIG. 6 is a bottom plan view of FIG. 1.

FIG. 7 is a front perspective view of the second embodiment for a set of cart baskets showing my new design;

FIG. 8 is a side elevation view of the right and left sides, which are mirror images, of FIG. 7.

FIG. 9 is a front side elevation view of FIG. 7.

FIG. 10 is back side elevation view of FIG. 7.

FIG. 11 is a top plan view of FIG. 7.

FIG. 12 is a bottom plan view of FIG. 7.

FIG. 13 is a front perspective view of the third embodiment for a set of cart baskets showing my new design;

FIG. 14 is a side elevation view of the right and left sides, which are mirror images, of FIG. 13.

FIG. 15 is a front side elevation view of FIG. 13.

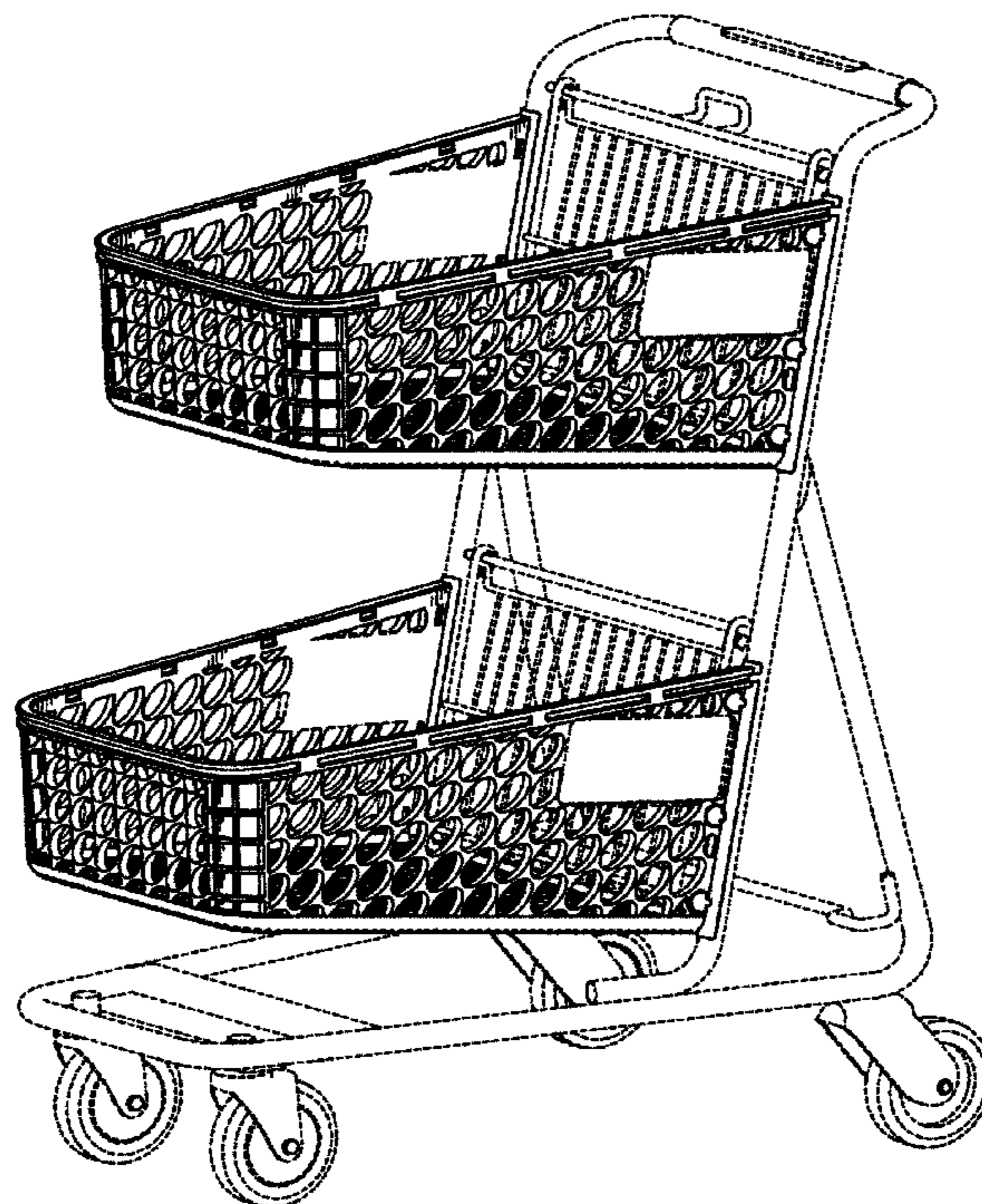
FIG. 16 is back side elevation view of FIG. 13.

FIG. 17 is a top plan view of FIG. 13; and,

FIG. 18 is a bottom plan view of FIG. 13.

The broken line showing of the frame, logo panel and back gates is included for the purpose of illustrating elements of the cart and forms no part of the claimed design.

**1 Claim, 18 Drawing Sheets**



U.S. PATENT DOCUMENTS

4,632,411	A	12/1986	Badger	
D294,419	S	2/1988	Rehrig	
D346,473	S	4/1994	Hubble	
D412,046	S	7/1999	Rehrig et al.	
D426,365	S	6/2000	Rehrig et al.	
6,126,181	A	10/2000	Ondrasik	
6,533,297	B2	3/2003	Saccani	
6,644,674	B2	11/2003	Simard	
6,676,139	B1	1/2004	Saccani	
6,932,363	B2	8/2005	D'Angelo	
6,981,708	B1	1/2006	Tucker et al.	
D528,732	S	9/2006	Hubbard et al.	
D538,501	S	3/2007	Walter	
D550,423	S *	9/2007	Splain et al.	D34/12
D556,413	S *	11/2007	Splain et al.	D34/12
D564,172	S *	3/2008	Steinhobel	D34/12
D580,619	S	11/2008	Walter	
D583,523	S	12/2008	Deal et al.	
D607,173	S	12/2009	Selvig et al.	
D628,759	S	12/2010	Walter	
D633,269	S	2/2011	Walter	
D638,602	S	5/2011	Walter	
2001/0022436	A1	9/2001	Simard	
2003/0151219	A1	8/2003	Simard	

OTHER PUBLICATIONS

Plasti-Cart Max 200 Scan of website [<http://www.plasti-cart.com/upload/assets/AllPlasticMax200.pdf>] showing prior art cart manufactured by Plasti-Cart.

Supercart neXus Scan of website [<http://supercart.com/data/products/627854469nexus.pdf>] showing prior art cart manufactured by Supercart.

Supercart XL 200 Scan of website [[http://supercart.com/data/products/1388572286xlcarrie\(xl200\).pdf](http://supercart.com/data/products/1388572286xlcarrie(xl200).pdf)] showing prior art cart manufactured by Supercart.

Technibilt 5141-D Scan of website [<http://www.technibilt.com/carts/detail.php?id=36>] showing prior art cart manufactured by Techibilt.

Technibilt 5341 Scan of website [<http://www.technibilt.com/carts/detail.php?id=30>] showing prior art cart manufactured by Techibilt.

Technibilt 5640 Scan of website [<http://www.technibilt.com/carts/detail.php?id=28>] showing prior art cart manufactured by Techibilt.

Unarco PC-41U Scan of website [<http://unarco.com/PC41U.pdf>] showing prior art cart manufactured by Unarco.

Wanzl Tango Scan of website [[http://wanzl.com/000/En/Home/Products/Self-Service\\_systems/Shopping\\_Trolleys/Shopping\\_Trolley\\_Series/Tango.html](http://wanzl.com/000/En/Home/Products/Self-Service_systems/Shopping_Trolleys/Shopping_Trolley_Series/Tango.html)] showing prior art cart manufactured by Wanzl.

U.S. Appl. No. 29/334,767, filed Apr. 1, 2009; Inventor: Ivor Michel Walter.

U.S. Appl. No. 29/380,209, filed Dec. 1, 2010; Inventor: Ivor Michel Walter.

U.S. Appl. No. 29/380,622, filed Dec. 8, 2010; Inventor: Ivor Michel Walter.

U.S. Appl. No. 29/388,081, filed Mar. 23, 2011; Inventor: Ivor Michel Walter.

\* cited by examiner

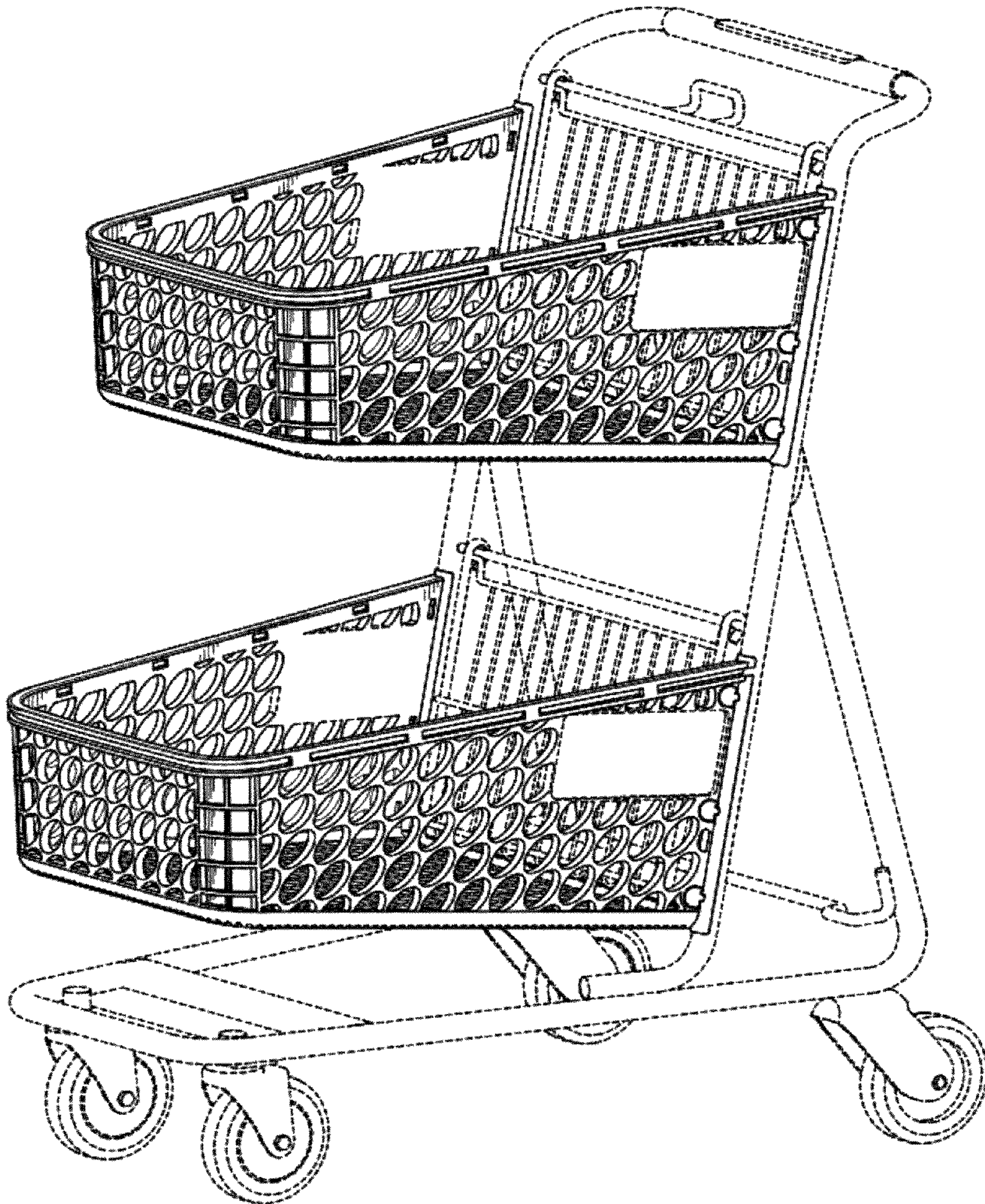


FIG. 1

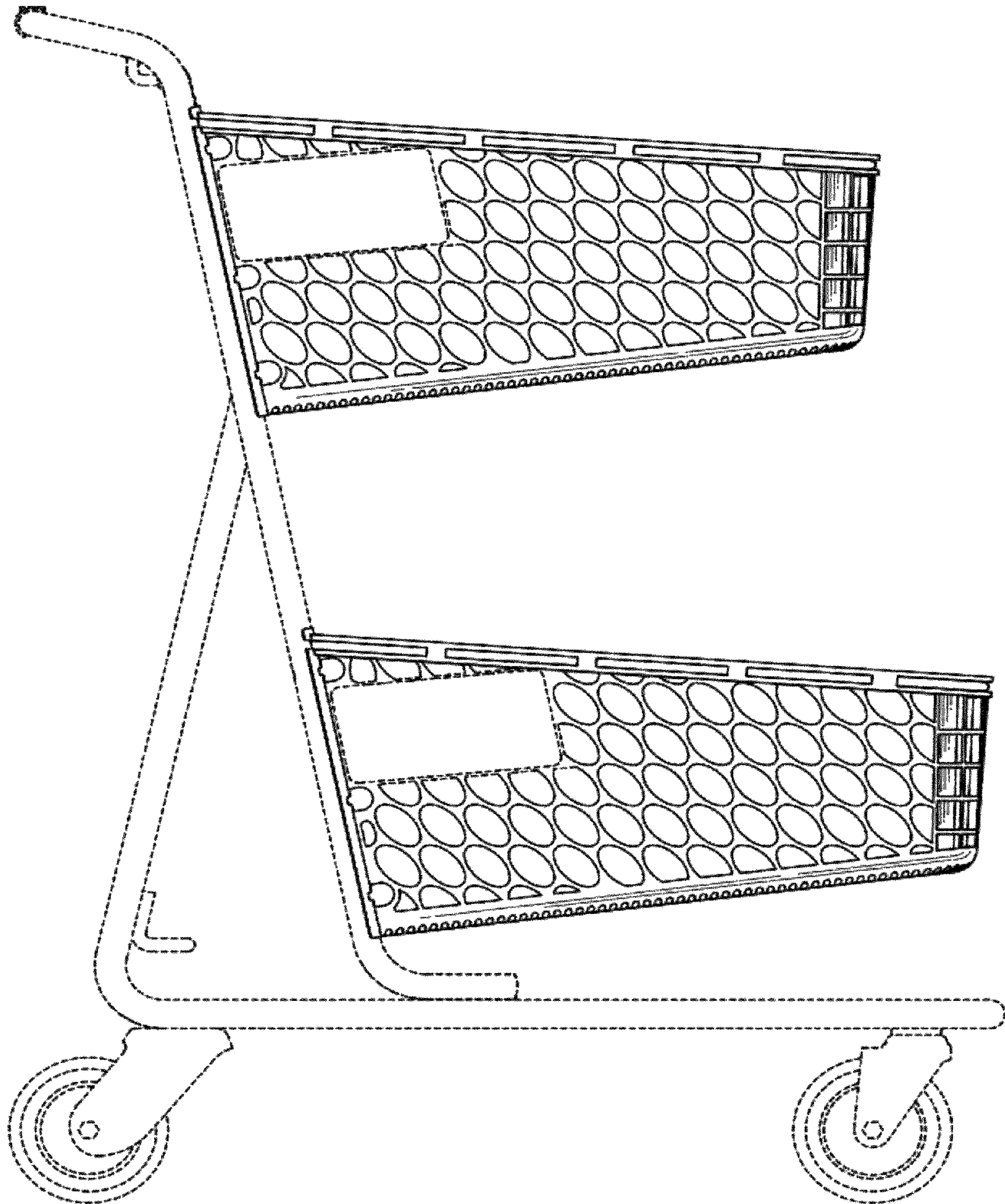


FIG.2

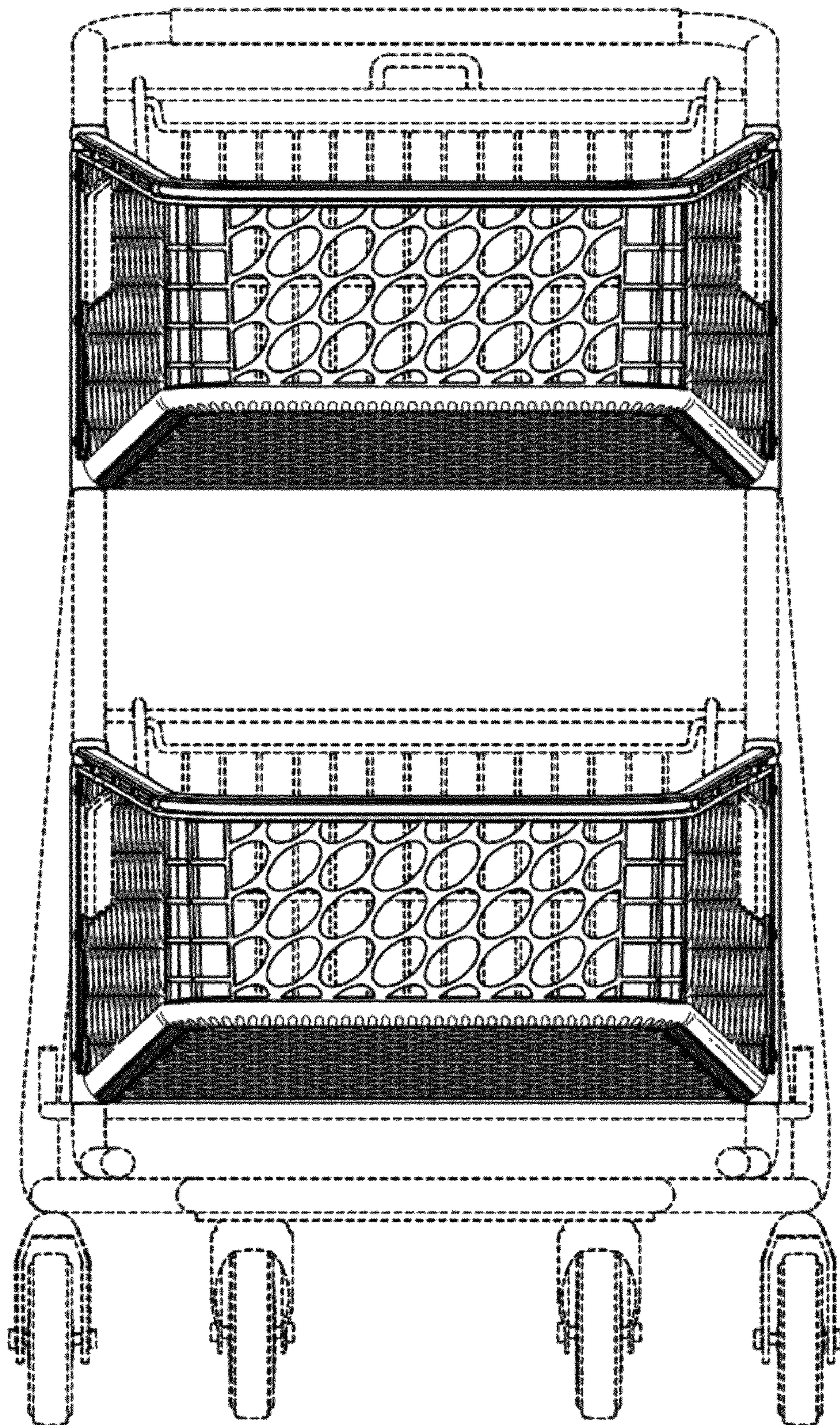


FIG.3

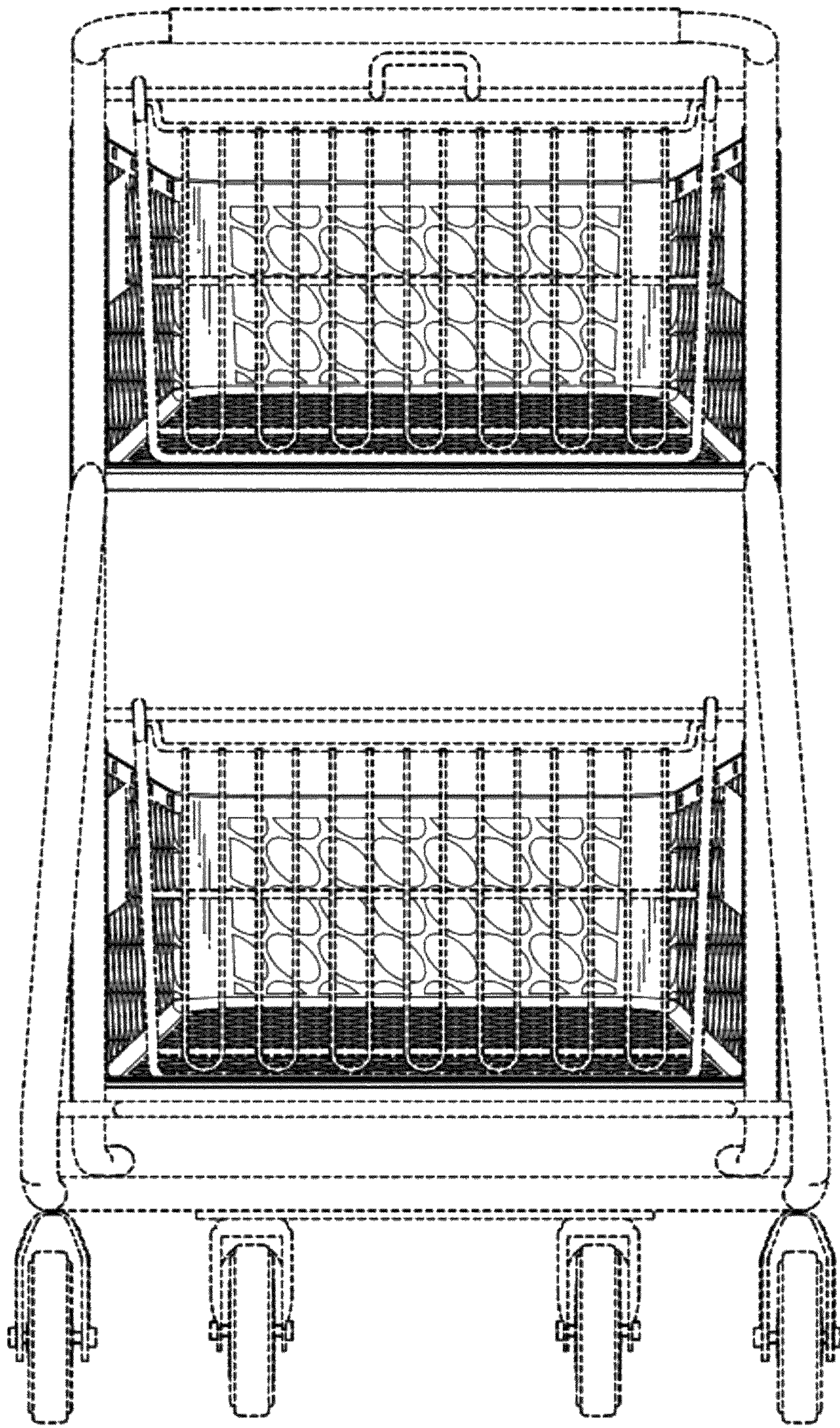


FIG.4

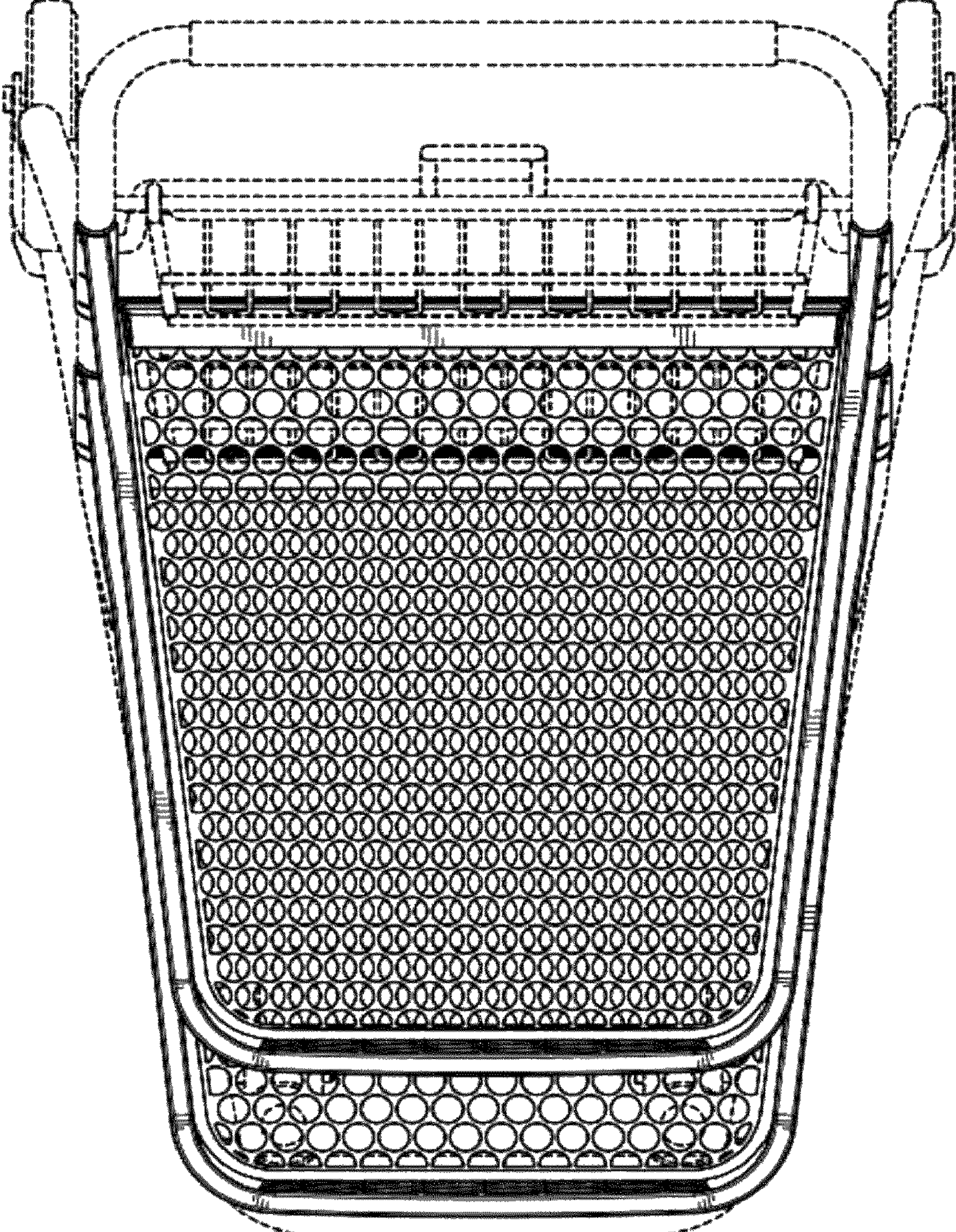


FIG.5

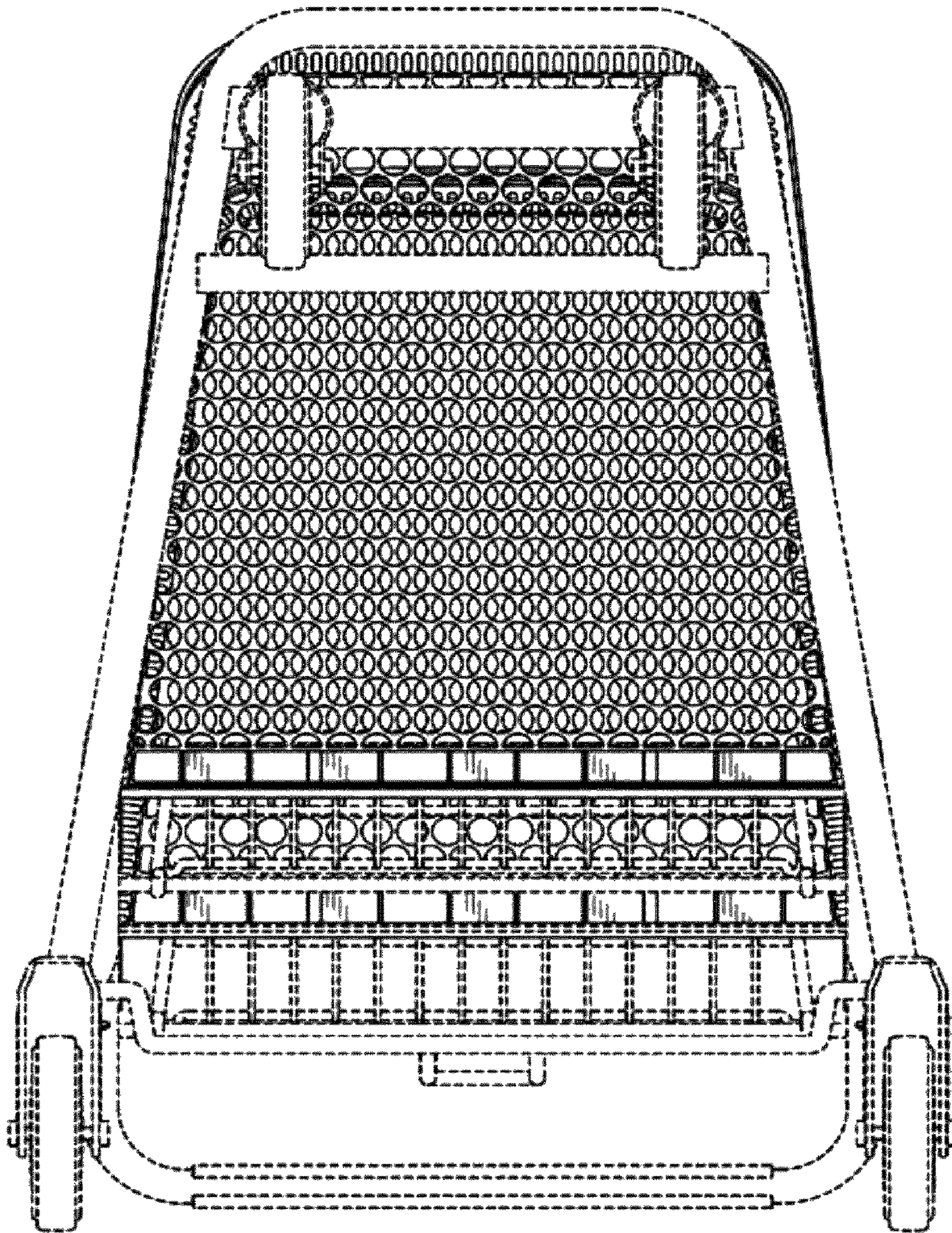


FIG.6



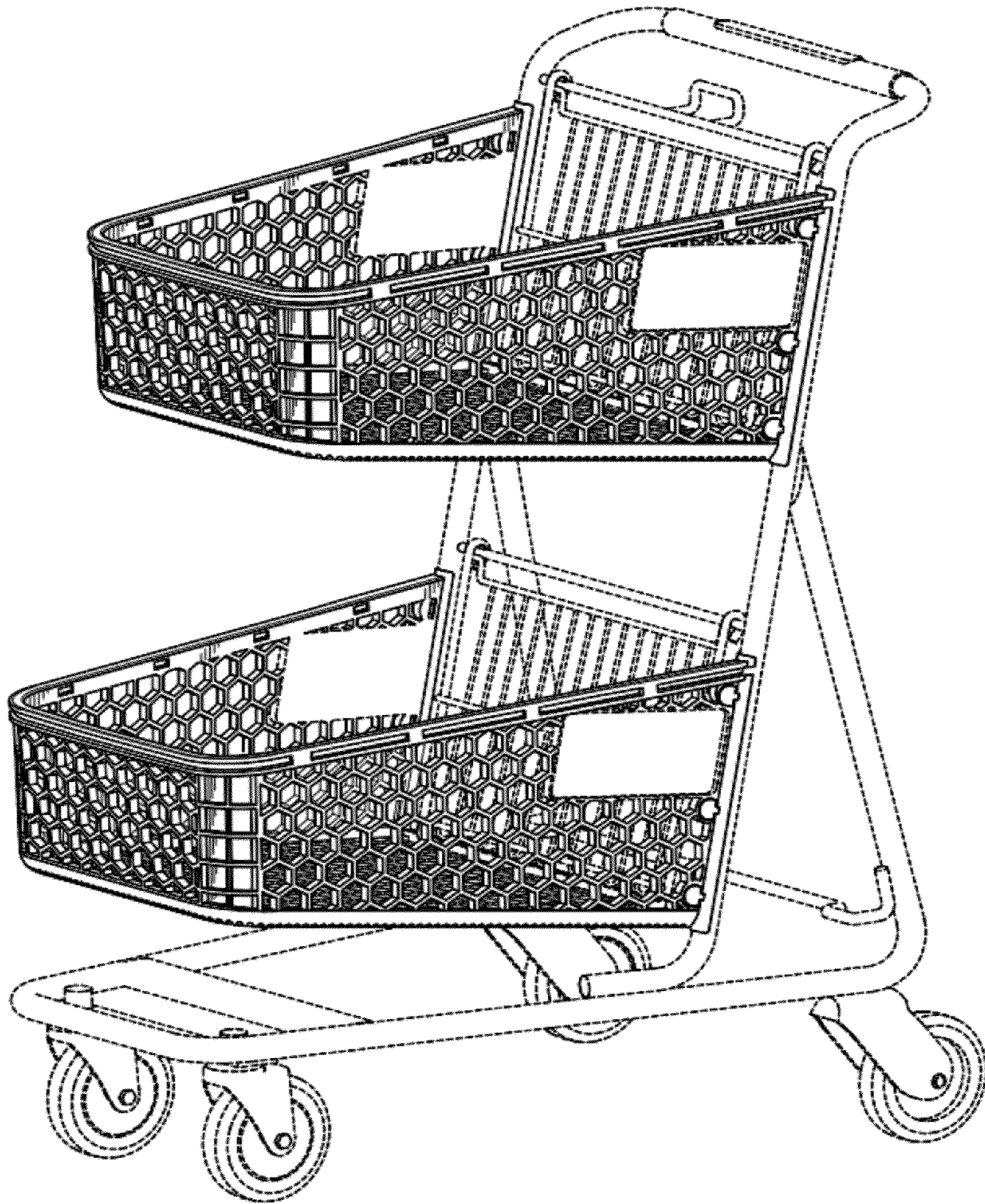


FIG. 7

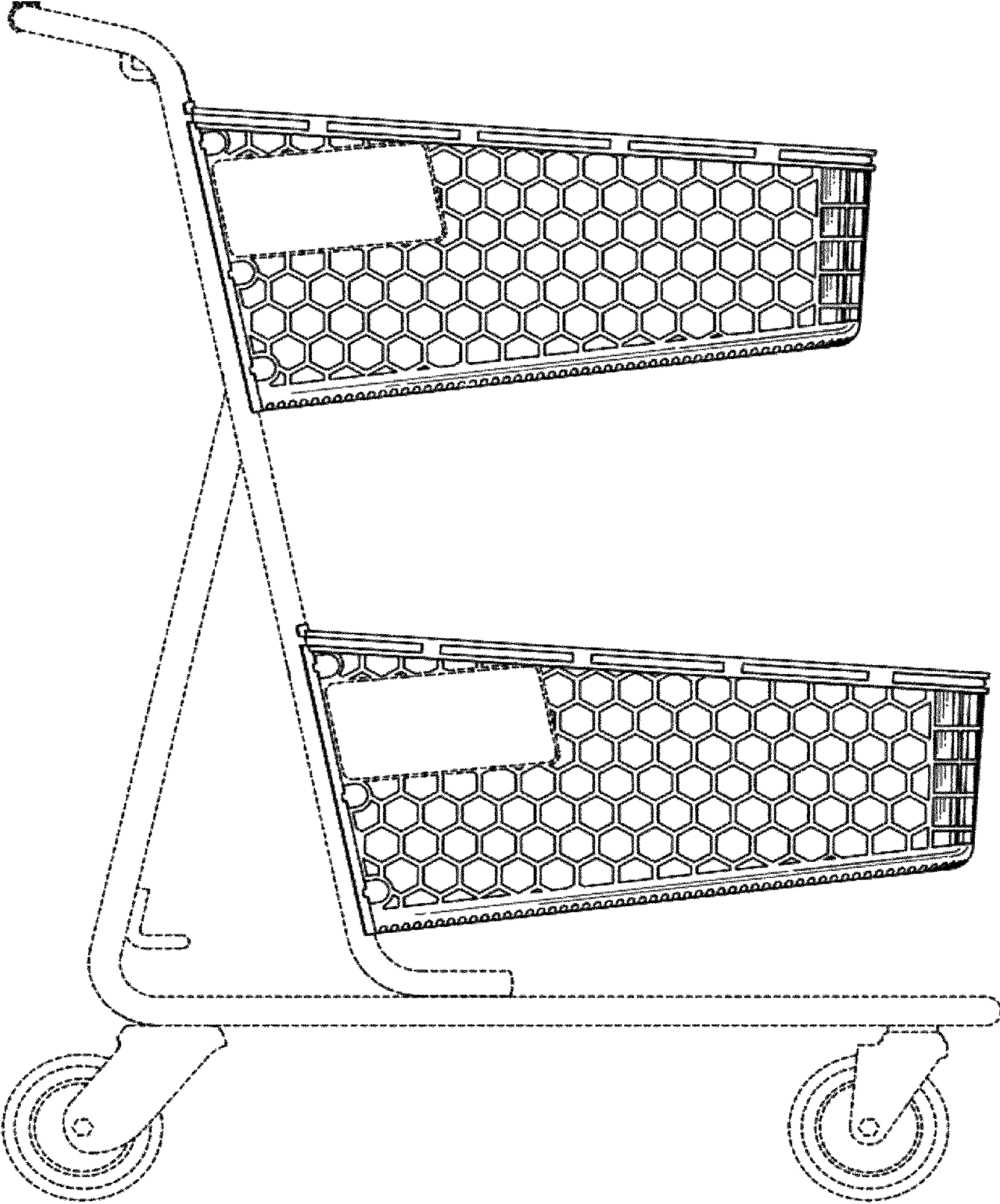


FIG.8

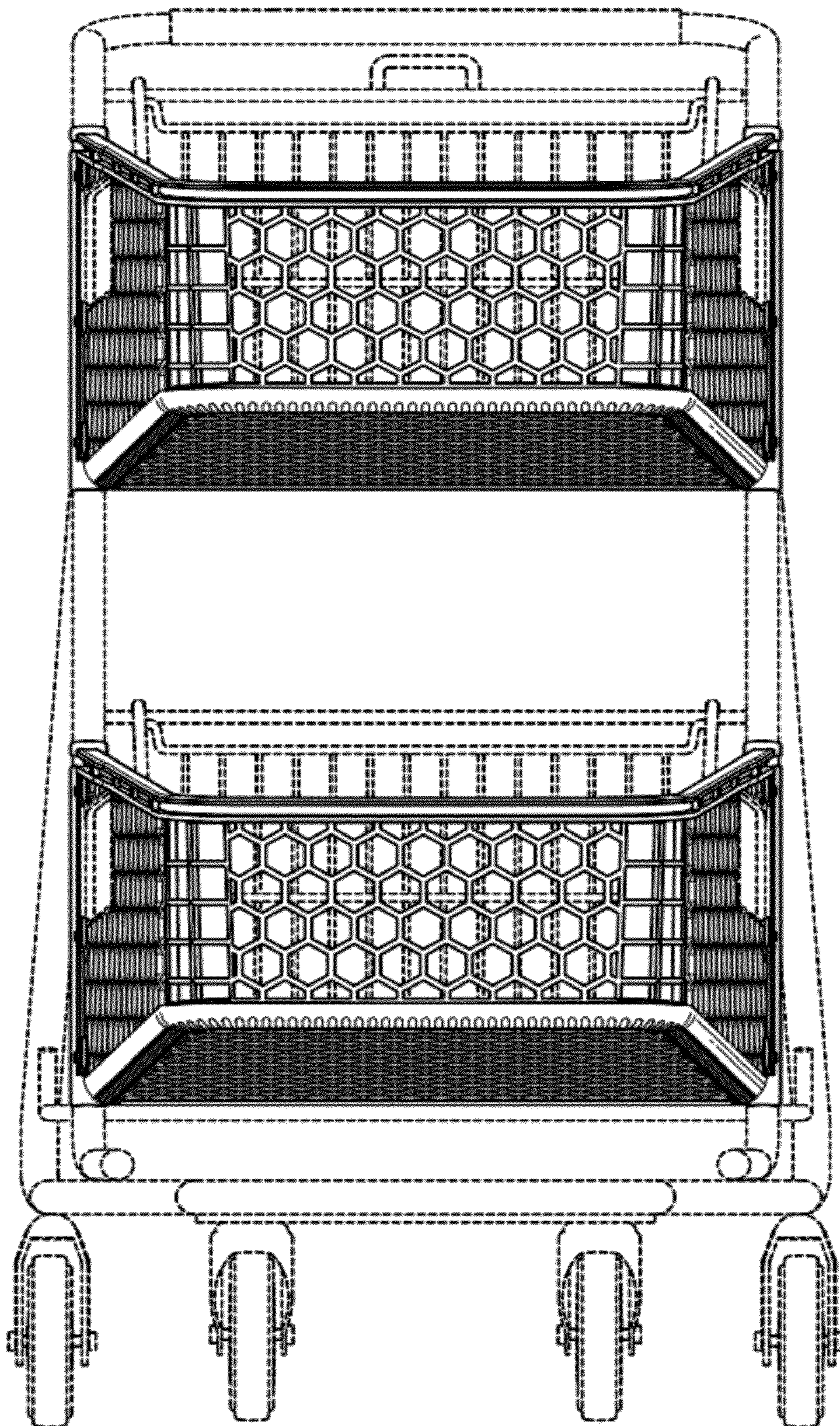


FIG.9

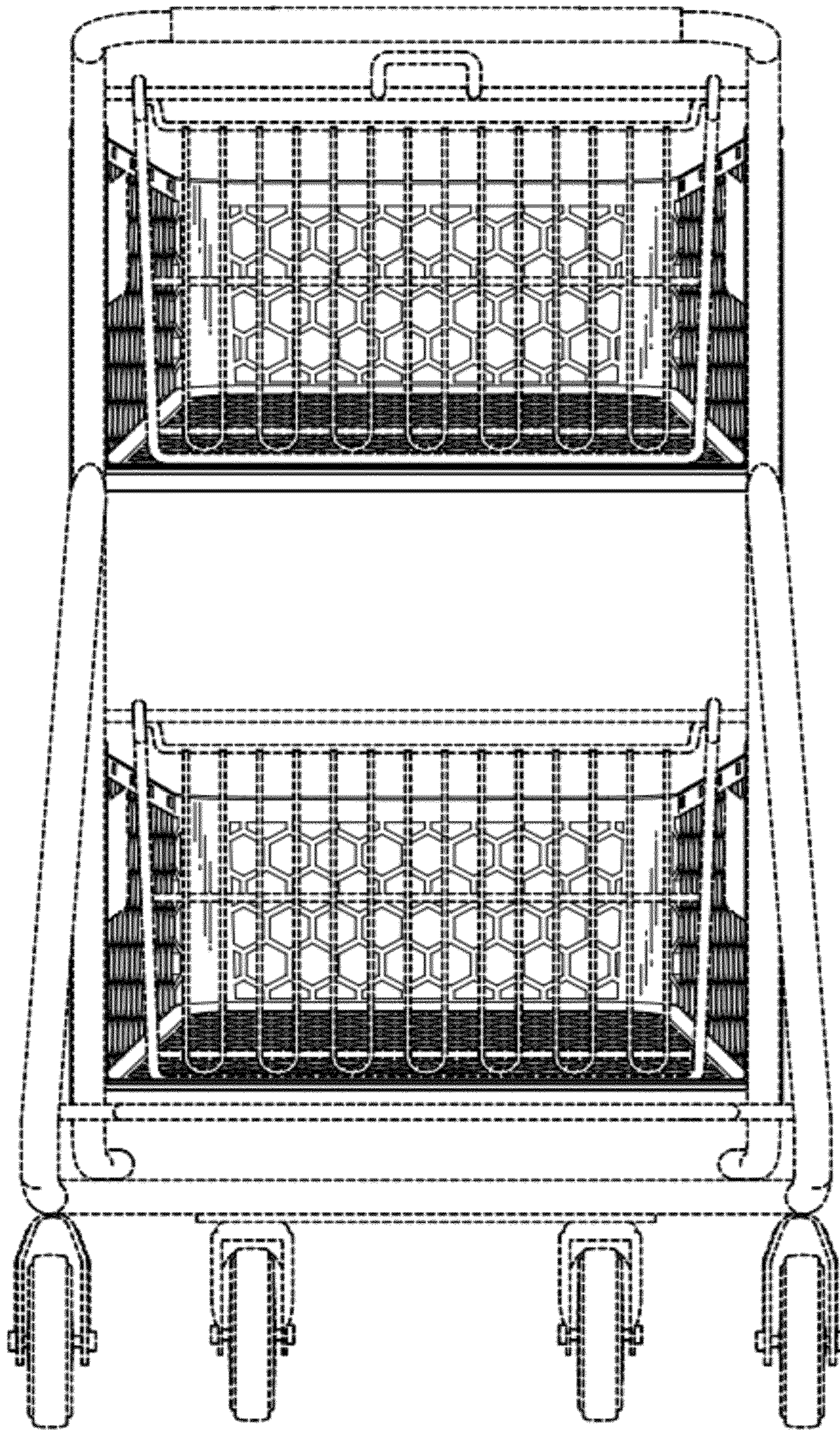


FIG.10

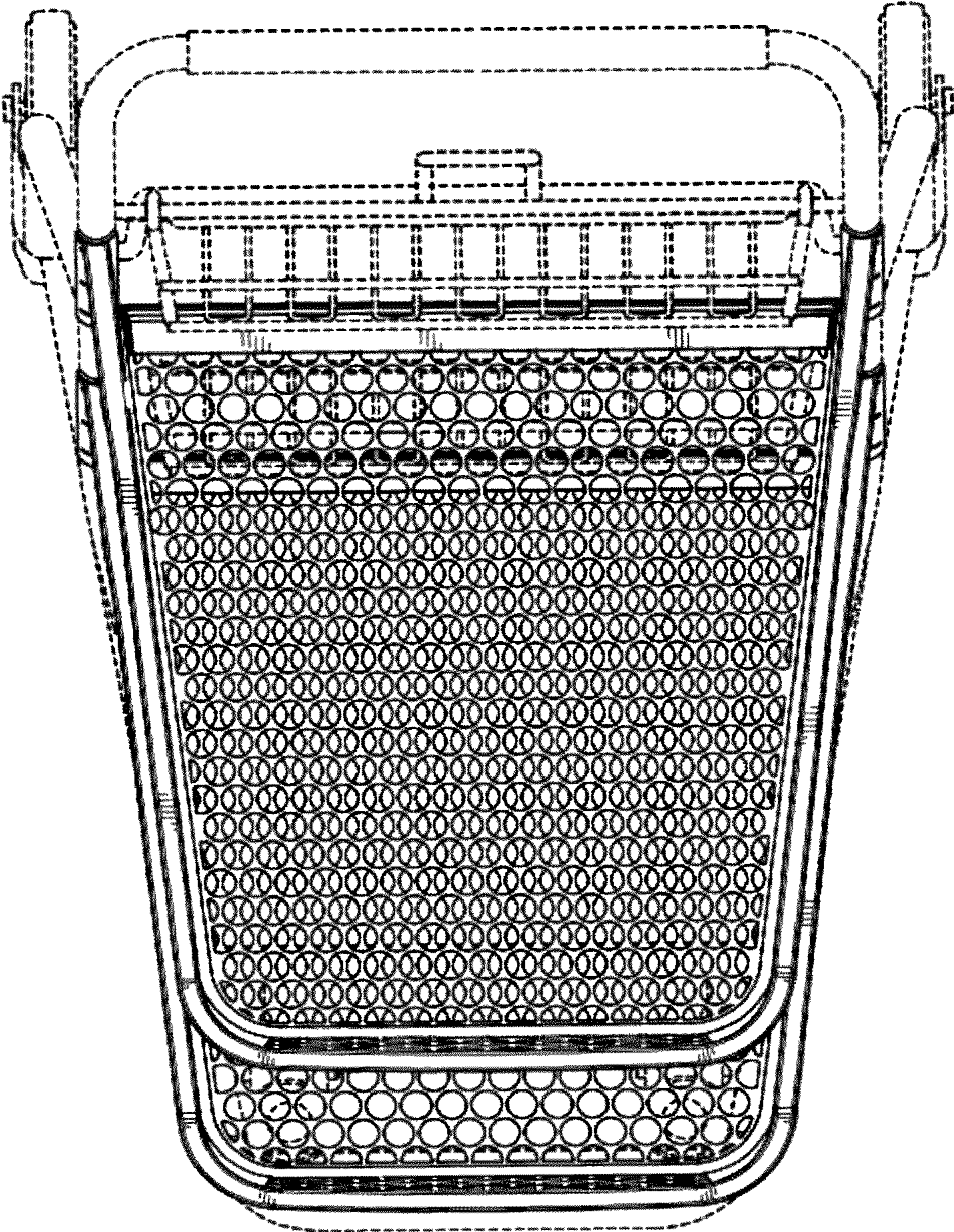


FIG.11

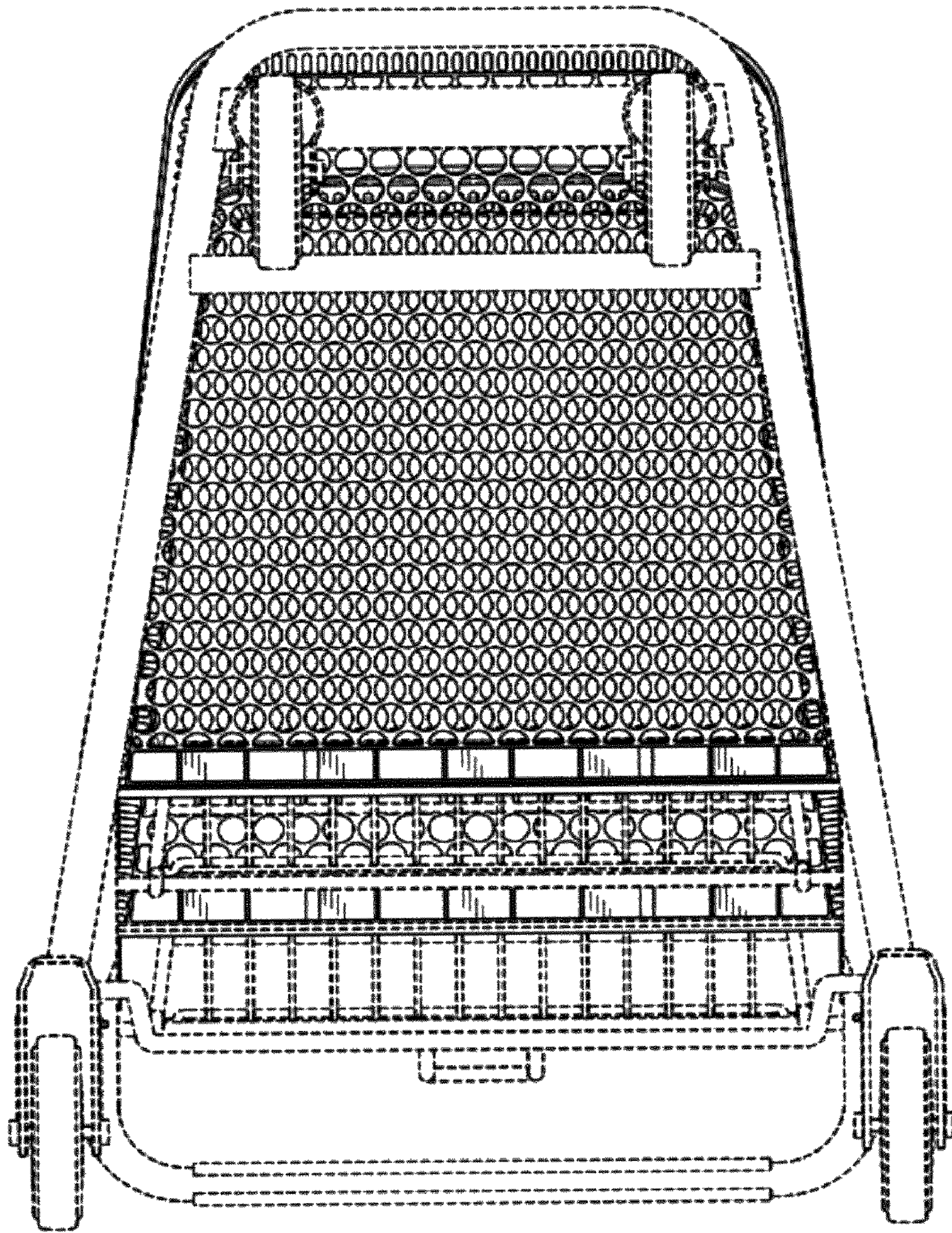


FIG. 12

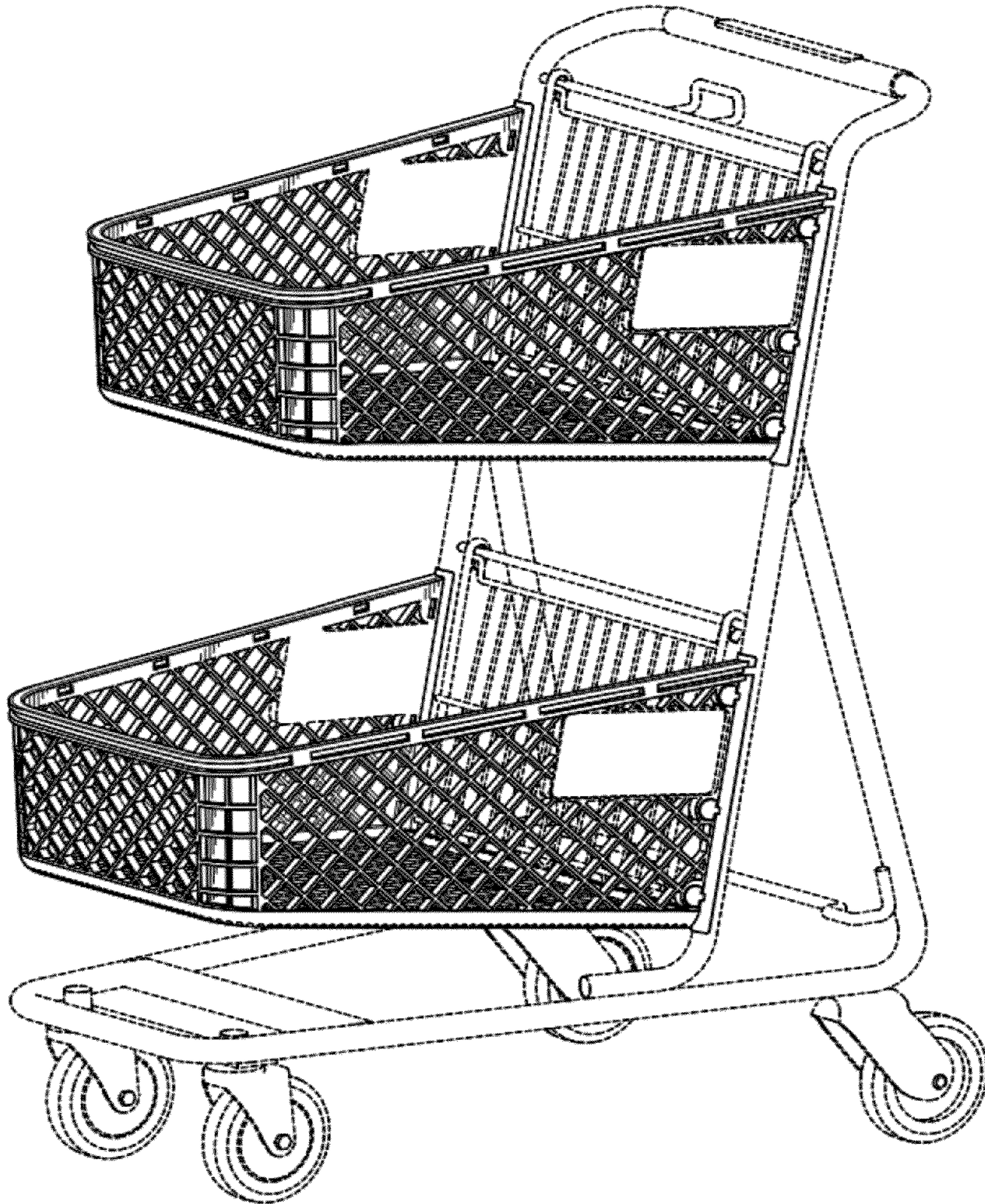


FIG.13

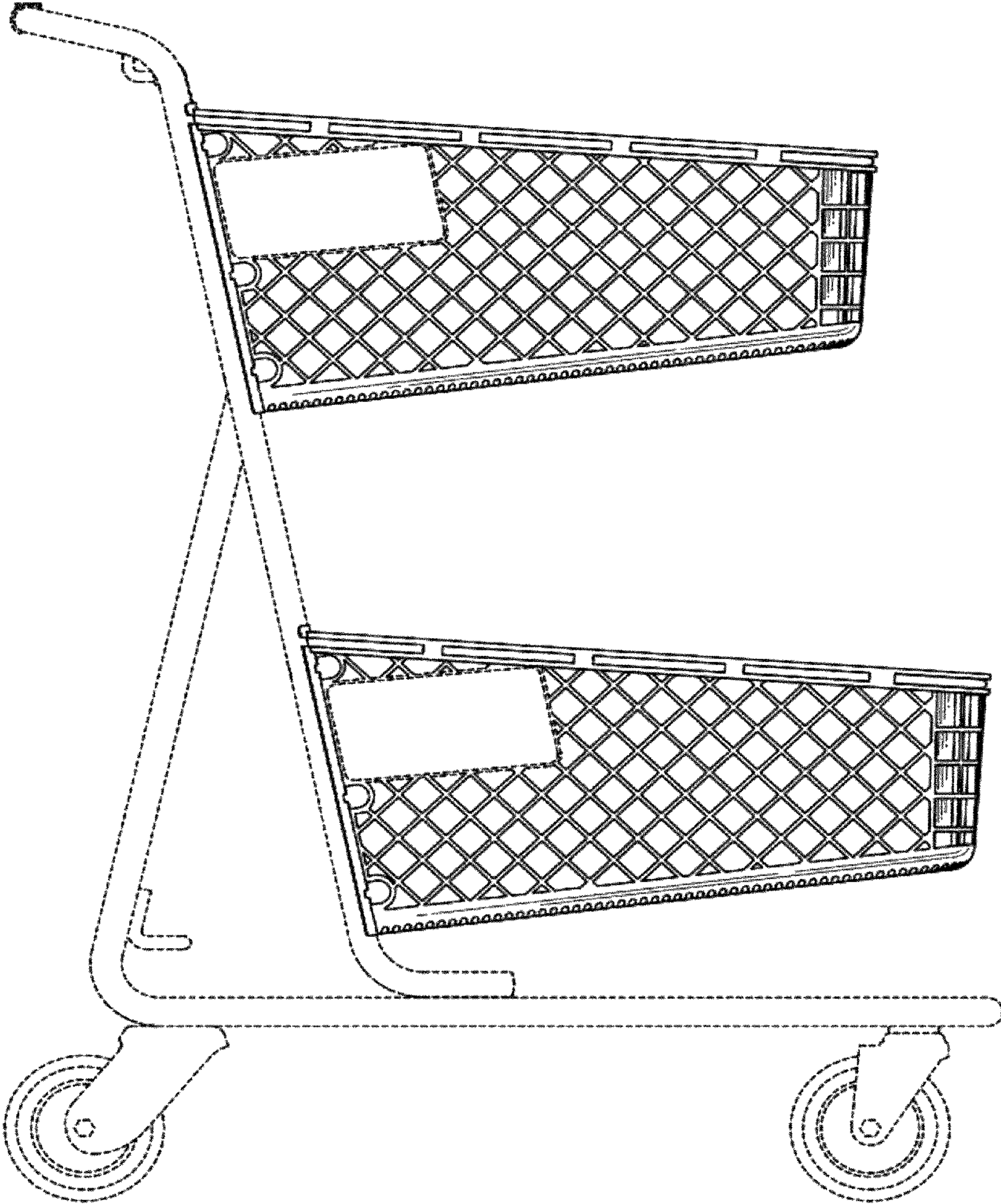


FIG.14



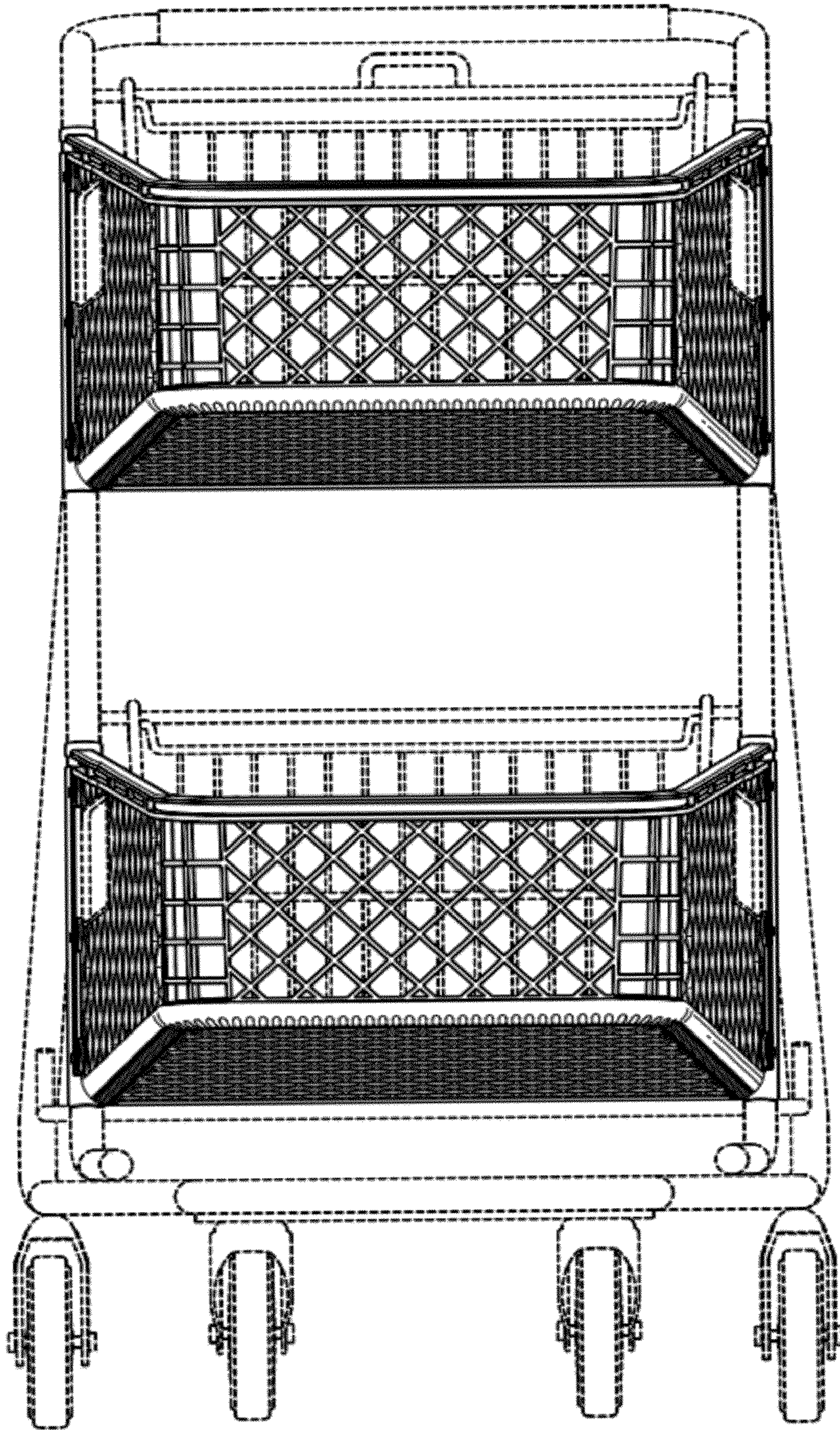


FIG.15

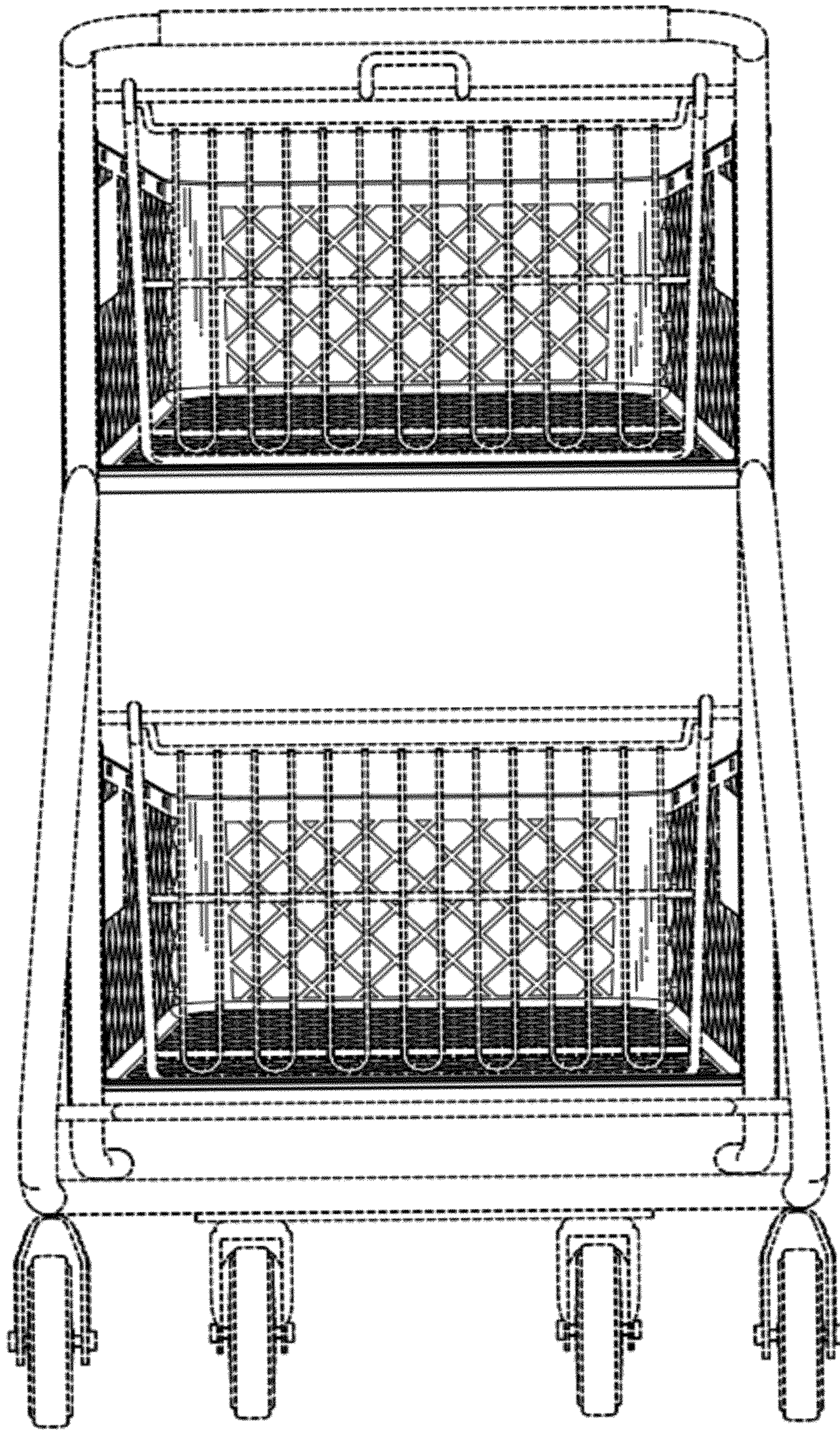


FIG.16

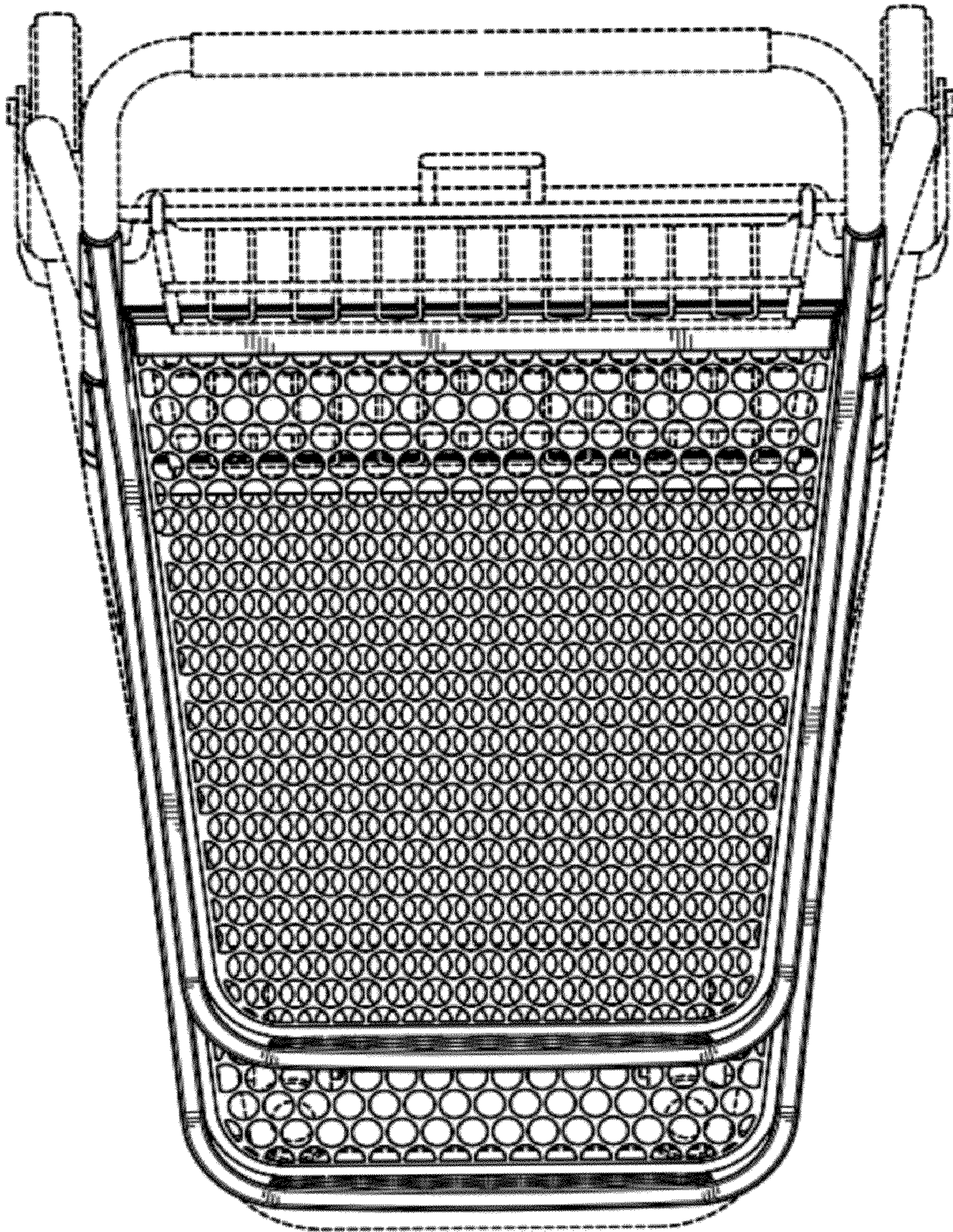


FIG.17

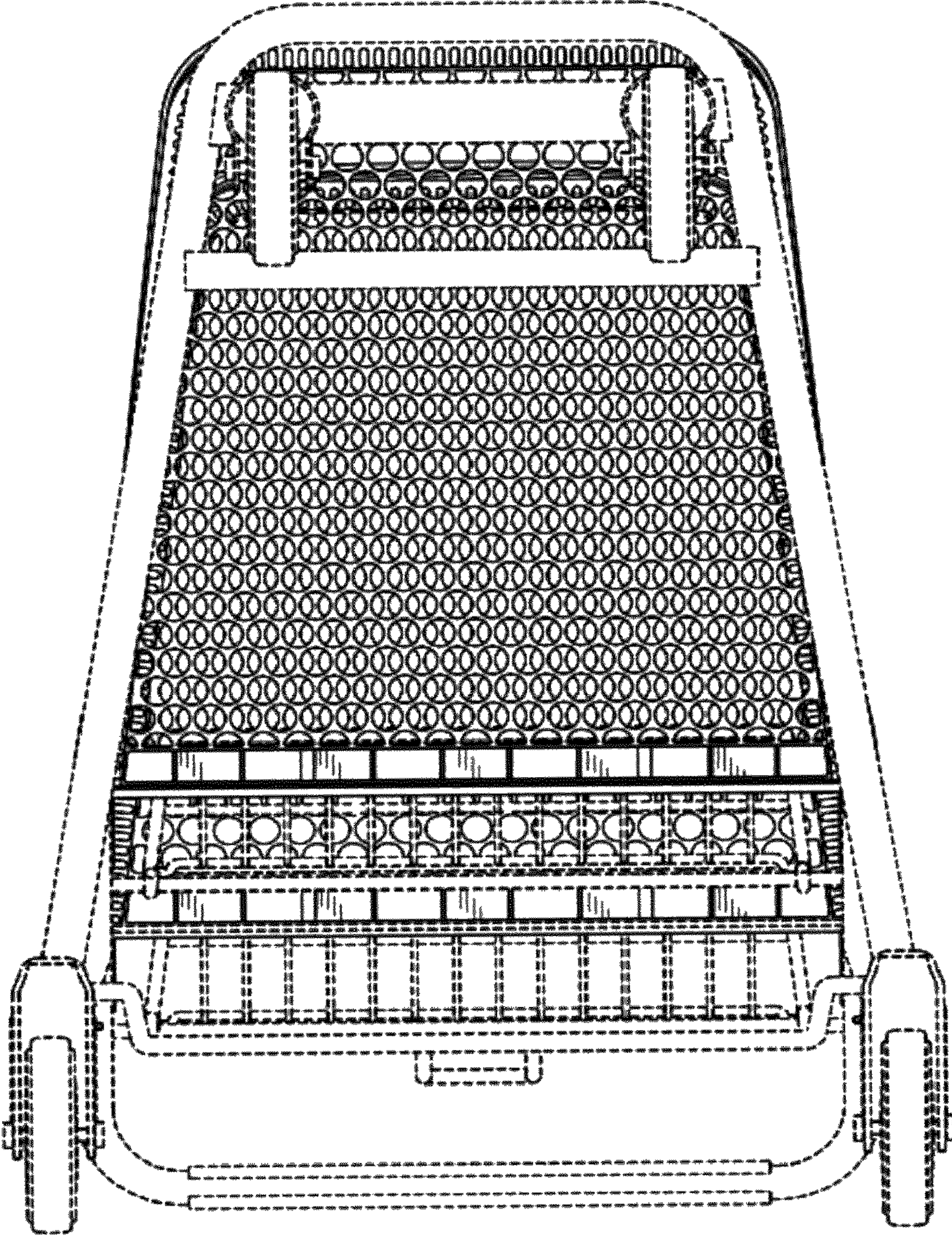


FIG.18

UNITED STATES PATENT AND TRADEMARK OFFICE  
**CERTIFICATE OF CORRECTION**

PATENT NO. : D656,700 S  
APPLICATION NO. : 29/388157  
DATED : March 27, 2012  
INVENTOR(S) : Ivor Michel Walter et al.

Page 1 of 1

It is certified that error appears in the above-identified patent and that said Letters Patent is hereby corrected as shown below:

Title Page, item (75), should read,

Ivor Michel Walter, Boulder, CO (US);  
Jeroen Engel, (ZA);  
Wilson Zeng, (CN)

Signed and Sealed this  
Twenty-eighth Day of June, 2016



Michelle K. Lee  
*Director of the United States Patent and Trademark Office*

UNITED STATES PATENT AND TRADEMARK OFFICE  
**CERTIFICATE OF CORRECTION**

PATENT NO. : D656,700 S  
APPLICATION NO. : 29/388157  
DATED : March 27, 2012  
INVENTOR(S) : Ivor Michel Walter et al.

Page 1 of 1

It is certified that error appears in the above-identified patent and that said Letters Patent is hereby corrected as shown below:

On the Title Page

Item (12) should read:

Walter et al.

Item (75) should read:

Ivor Michel Walter, Boulder, CO (US);

Jeroen Engel, (ZA);

Wilson Zeng, (CN)

This certificate supersedes the Certificate of Correction issued June 28, 2016.

Signed and Sealed this  
Eighteenth Day of July, 2017



Joseph Matal

*Performing the Functions and Duties of the  
Under Secretary of Commerce for Intellectual Property and  
Director of the United States Patent and Trademark Office*