



US00D656699S

(12) **United States Design Patent**
Liao

(10) **Patent No.:** **US D656,699 S**
(45) **Date of Patent:** **** Mar. 27, 2012**

(54) **TRASH CAN**
(75) Inventor: **Henry Liao**, Guangdong Province (CN)
(73) Assignee: **Jiangmen Foreign Trade Group Co., Ltd.**, Guangdong (CN)
(**) Term: **14 Years**
(21) Appl. No.: **29/394,827**
(22) Filed: **Jun. 22, 2011**

D555,318 S *	11/2007	Lin	D34/9
D584,468 S *	1/2009	Liao	D34/9
D587,420 S *	2/2009	Lin	D34/7
D591,471 S *	4/2009	Lee	D34/9
D595,468 S *	6/2009	Liao	D34/9
D595,917 S *	7/2009	Liao	D34/9
D603,119 S *	10/2009	Yang et al.	D34/7
D604,472 S *	11/2009	Blanks et al.	D34/7
D620,668 S *	7/2010	Liao	D34/9
D631,221 S *	1/2011	Yang et al.	D34/7
D636,960 S *	4/2011	Duvigneau	D34/7
D641,118 S *	7/2011	Rampton et al.	D34/1
D641,119 S *	7/2011	Rampton et al.	D34/1

* cited by examiner

(51) **LOC (9) Cl.** **09-09**
(52) **U.S. Cl.** **D34/9**
(58) **Field of Classification Search** D34/1-11;
220/908, 908.1, 262, 263, 264
See application file for complete search history.

Primary Examiner — Cynthia Ramirez

(57) **CLAIM**
The ornamental design for a trash can, as shown.

DESCRIPTION

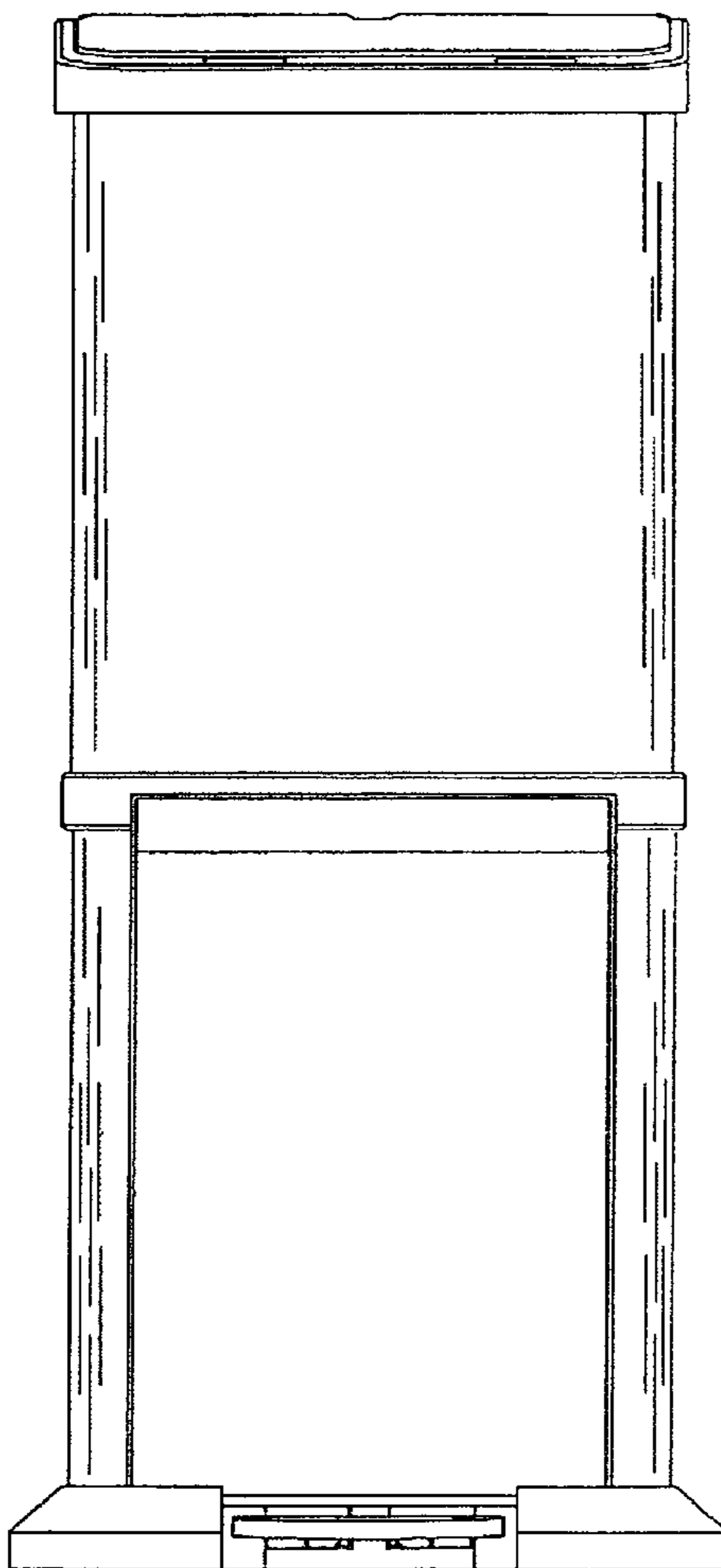
(56) **References Cited**

U.S. PATENT DOCUMENTS

D323,729 S *	2/1992	Weiland	D34/9
D335,730 S *	5/1993	Tessner et al.	D34/7
5,242,074 A *	9/1993	Conaway et al.	220/840
D344,381 S *	2/1994	Martin et al.	D34/7
D538,000 S *	3/2007	Lin	D34/9

FIG. 1 is a front elevational view of a trash can showing my new design;
FIG. 2 is a left side view thereof;
FIG. 3 is a right side view thereof;
FIG. 4 is a top plan view thereof; and,
FIG. 5 is a perspective view thereof.

1 Claim, 5 Drawing Sheets



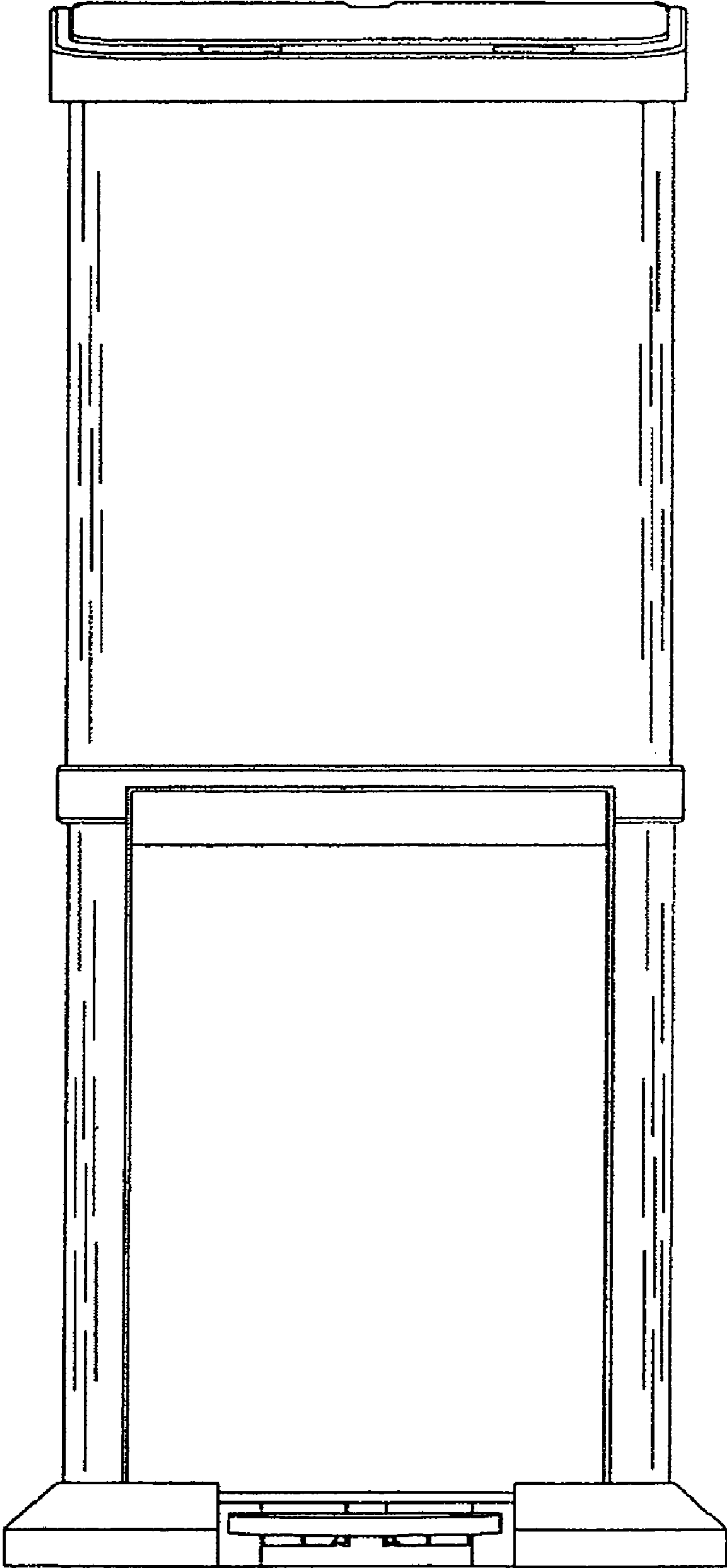


FIG. 1

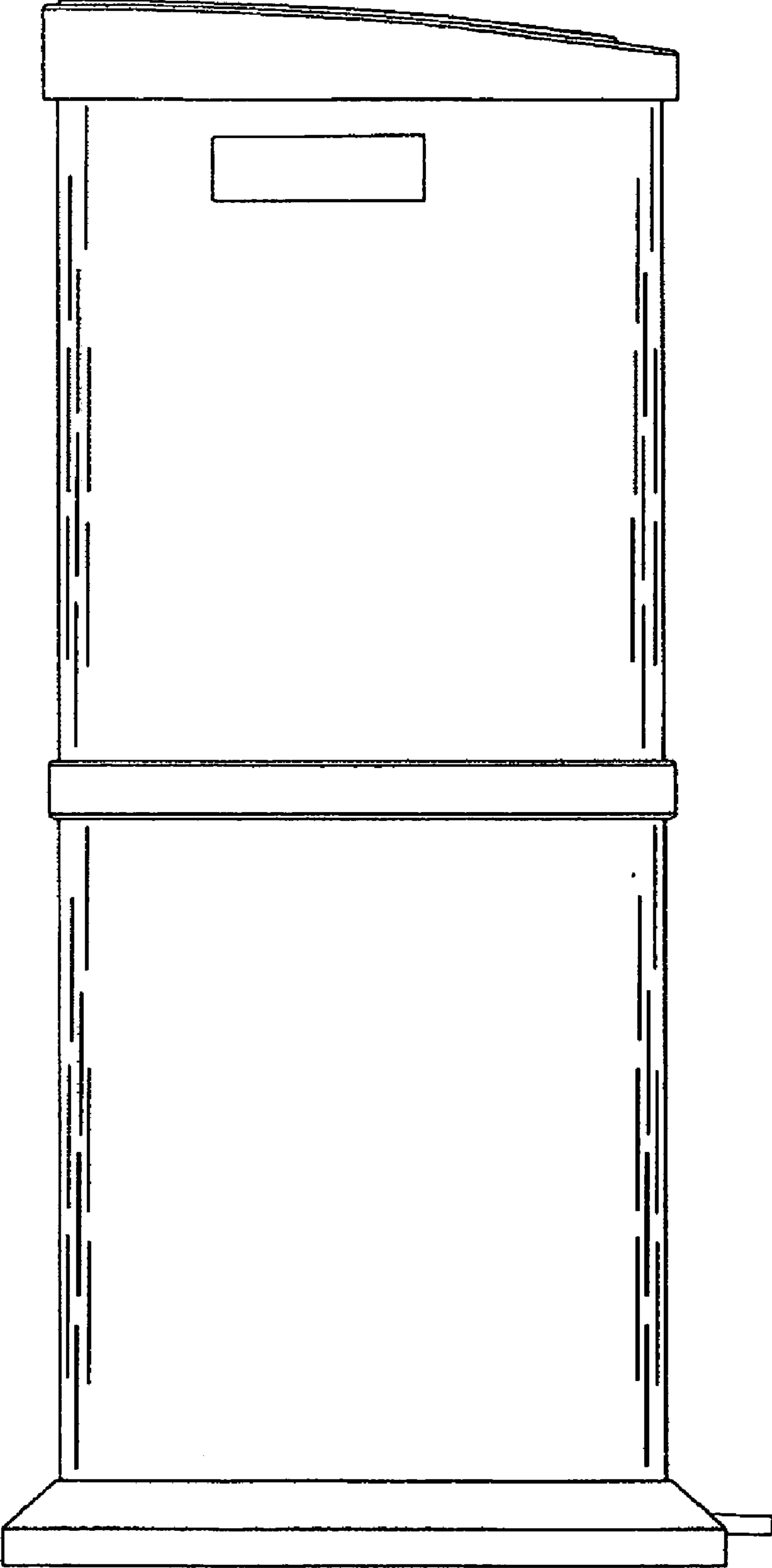


FIG. 2

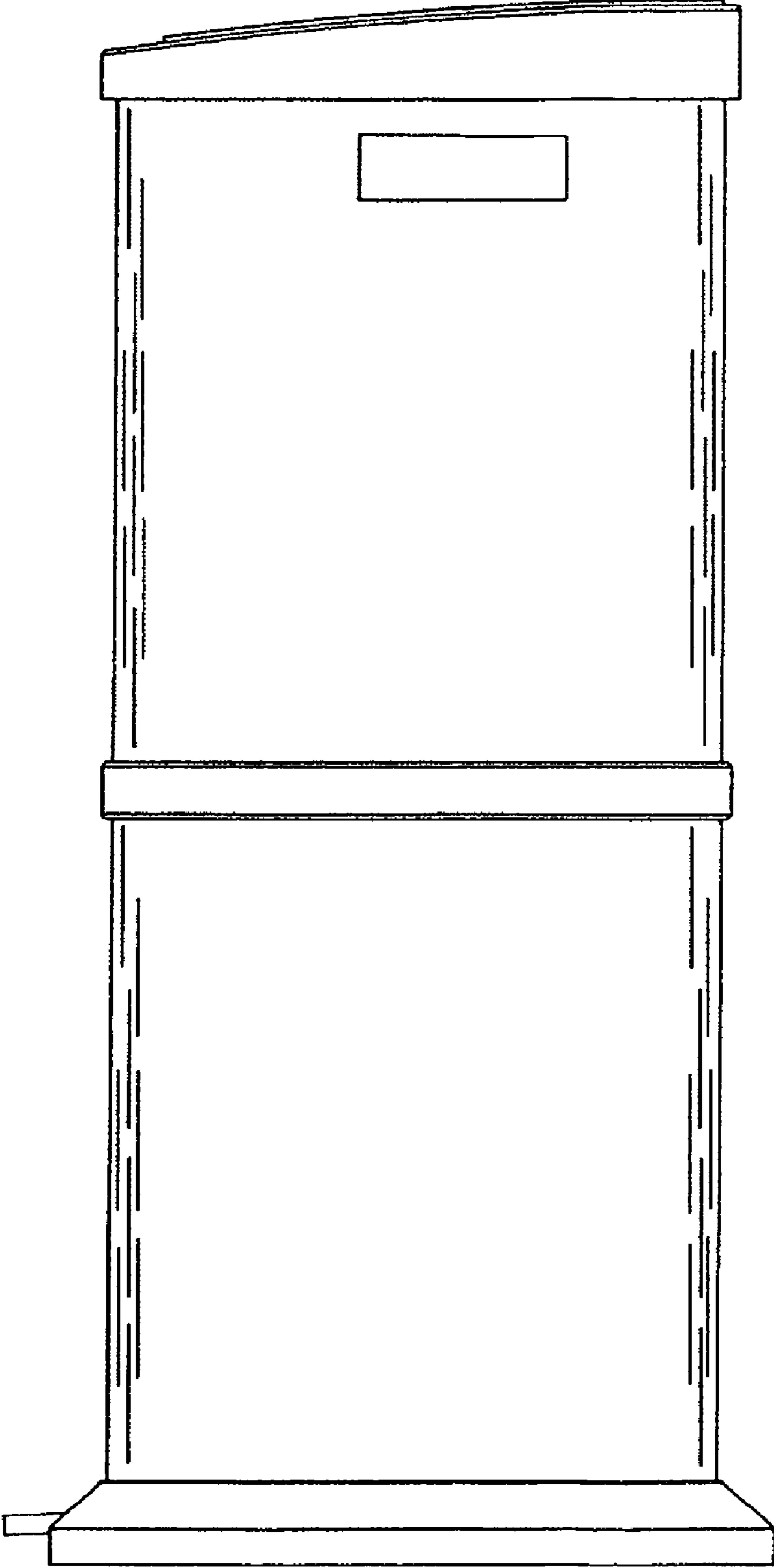


FIG. 3

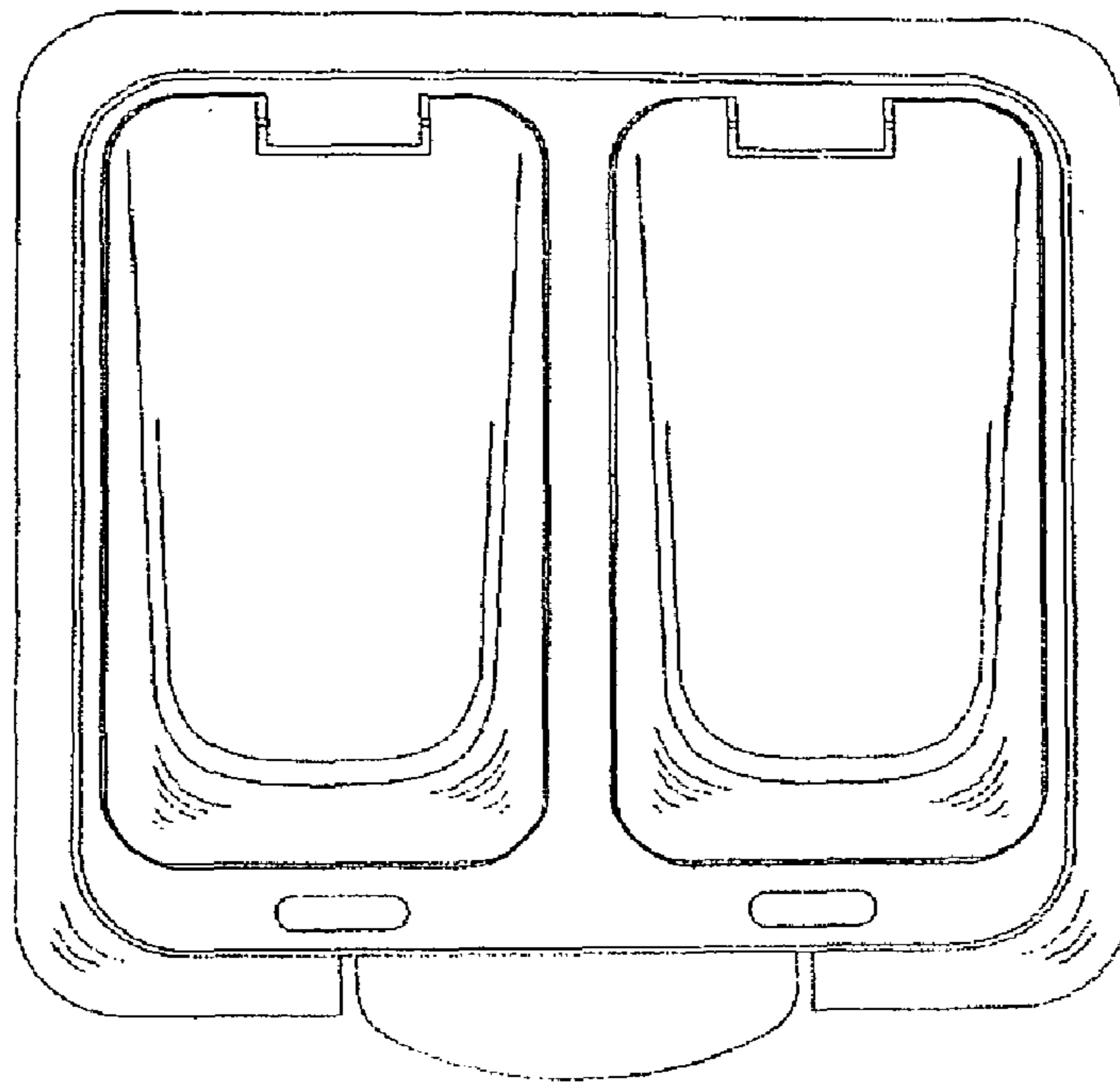


FIG. 4

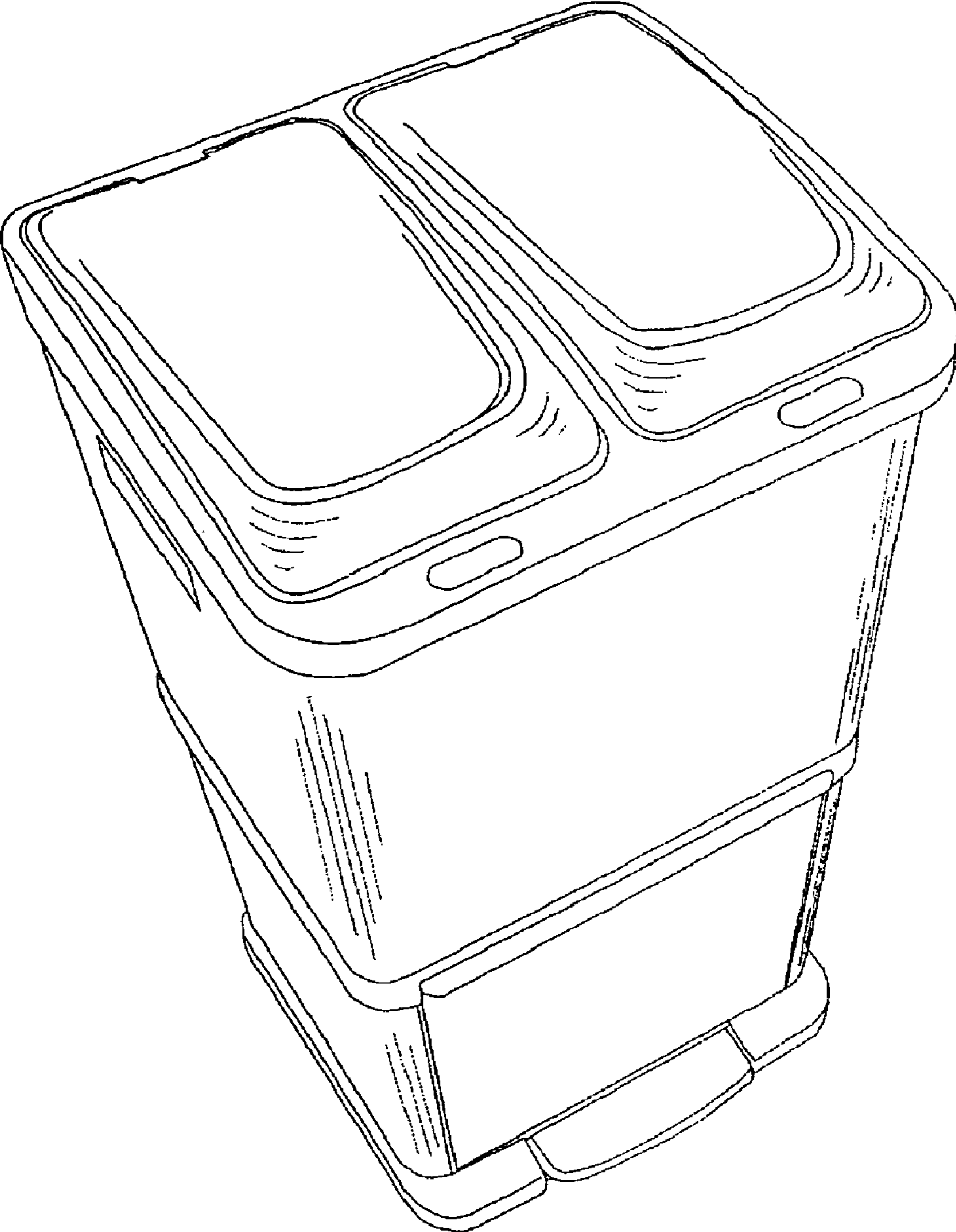


FIG. 5