



US00D656697S

(12) **United States Design Patent**
McNeil

(10) **Patent No.:** **US D656,697 S**
(45) **Date of Patent:** **** Mar. 27, 2012**

(54) **DISPOSABLE PLASTIC LINER FOR A BUCKET**

(76) Inventor: **Christopher K. McNeil**, Palmdale, CA (US)

(**) Term: **14 Years**

(21) Appl. No.: **29/369,864**

(22) Filed: **Sep. 14, 2010**

(51) **LOC (9) Cl.** **07-07**

(52) **U.S. Cl.** **D32/53; D34/1**

(58) **Field of Classification Search** D32/53, D32/53.1, 54; 15/264; 220/904, 694, 700, 220/702, 495.01, 495.02; D34/1; D7/509

See application file for complete search history.

(56) **References Cited**

U.S. PATENT DOCUMENTS

639,822	A *	12/1899	Muller	220/9.2
2,051,940	A *	8/1936	Wright	220/754
2,997,788	A *	8/1961	Gilbert	30/123
3,425,471	A *	2/1969	Yates, Jr.	220/256.1
3,696,931	A *	10/1972	Hough	210/244
3,702,820	A *	11/1972	Hough	426/392
4,122,973	A *	10/1978	Ahern	220/495.02
4,282,984	A *	8/1981	Curry, Jr.	229/125.35
4,439,319	A *	3/1984	Rock	210/238
D280,038	S *	8/1985	Anderson	D32/53
D295,093	S *	4/1988	Tapdrup	D32/53

5,143,242	A	9/1992	Millasich	
D355,735	S *	2/1995	Shaffer et al. D32/53
D368,347	S *	3/1996	Kruger D32/53
5,727,708	A	3/1998	Erickson	
5,816,501	A	10/1998	LoPresti	
D417,326	S *	11/1999	Greene D32/53
D483,620	S *	12/2003	Basara D7/603
6,679,398	B1 *	1/2004	O'Brien 220/495.02
D618,414	S *	6/2010	Bechtold, Jr. D32/54
D626,303	S *	10/2010	Loverbos D32/53

* cited by examiner

Primary Examiner — Robin V Webster

(57) **CLAIM**

The ornamental design for a disposable plastic liner for a bucket, as shown and described.

DESCRIPTION

FIG. 1 is a perspective view of a disposable plastic liner positioned in a bucket showing my new design;

FIG. 2 is a perspective view of the disposable plastic liner removed from the bucket;

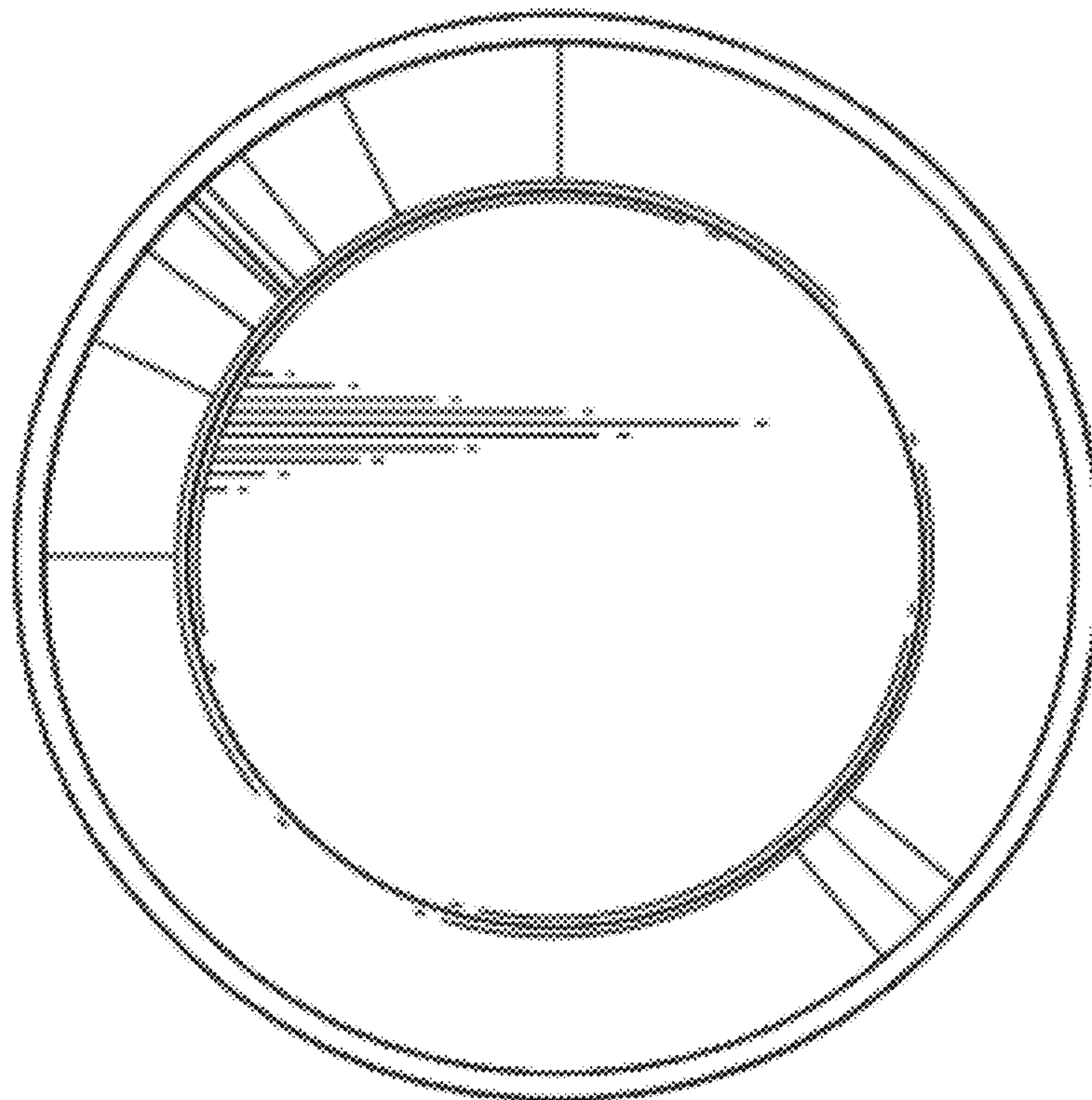
FIG. 3 is a top plan view of FIG. 2;

FIG. 4 is a bottom plane view thereof; and,

FIG. 5 is a front elevational view thereof, wherein the rear elevational view as well as the left and right side elevational views is a mirror image of the front elevational view.

The bucket shown in broken lines is for illustrative purposes only and is hereby disclaimed as forming no part of Applicant's claimed invention.

1 Claim, 2 Drawing Sheets



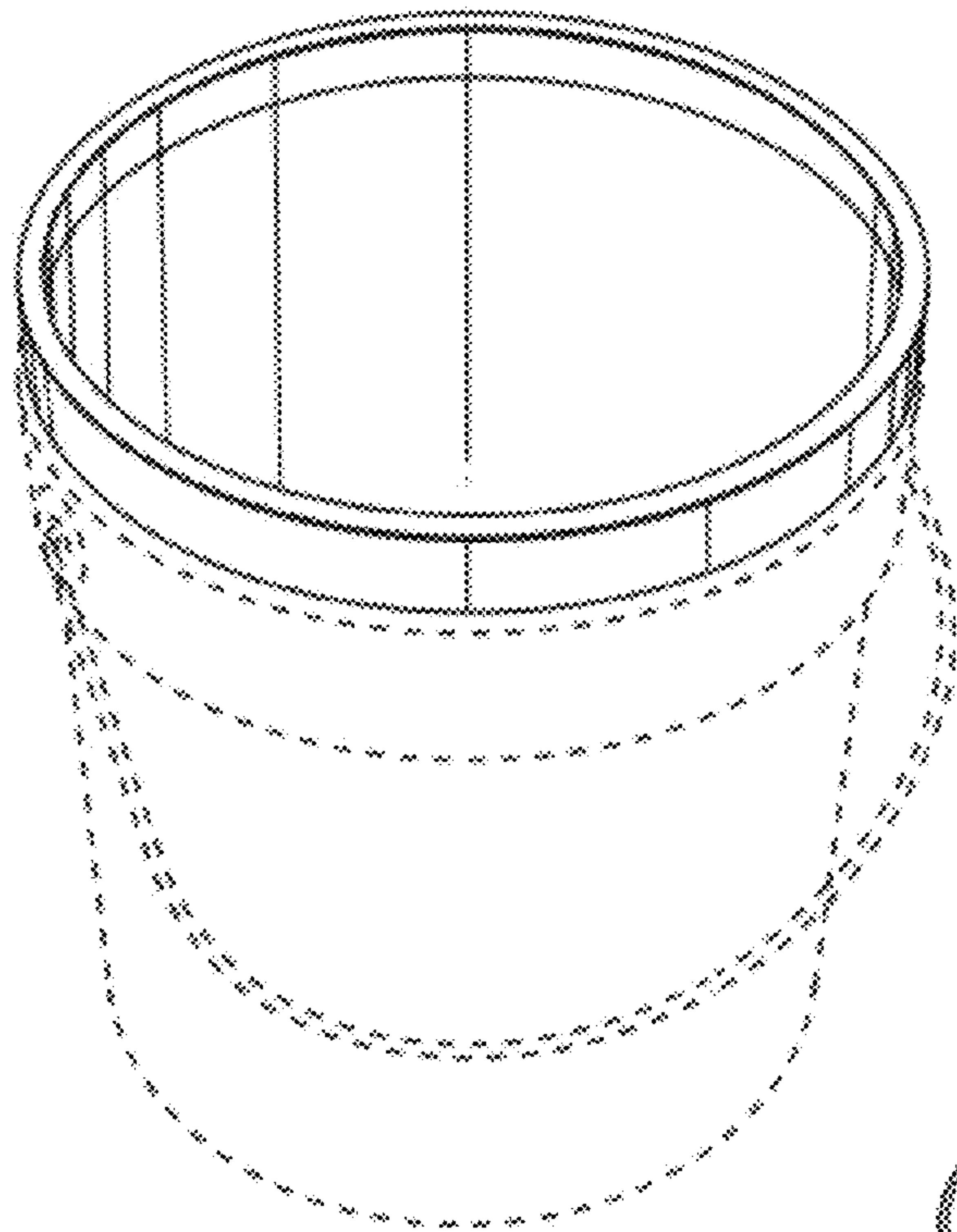


Fig. 1

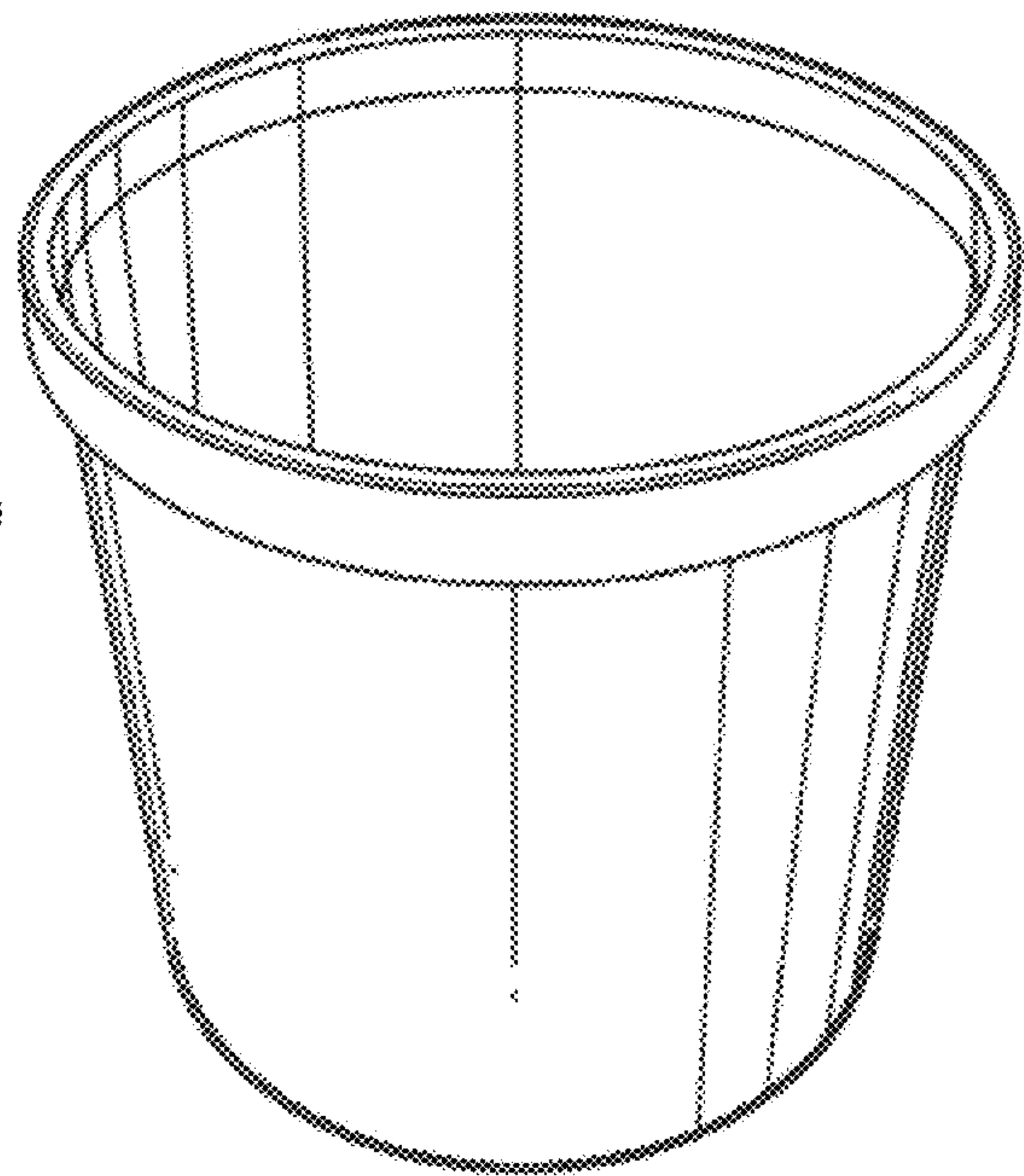


Fig. 2

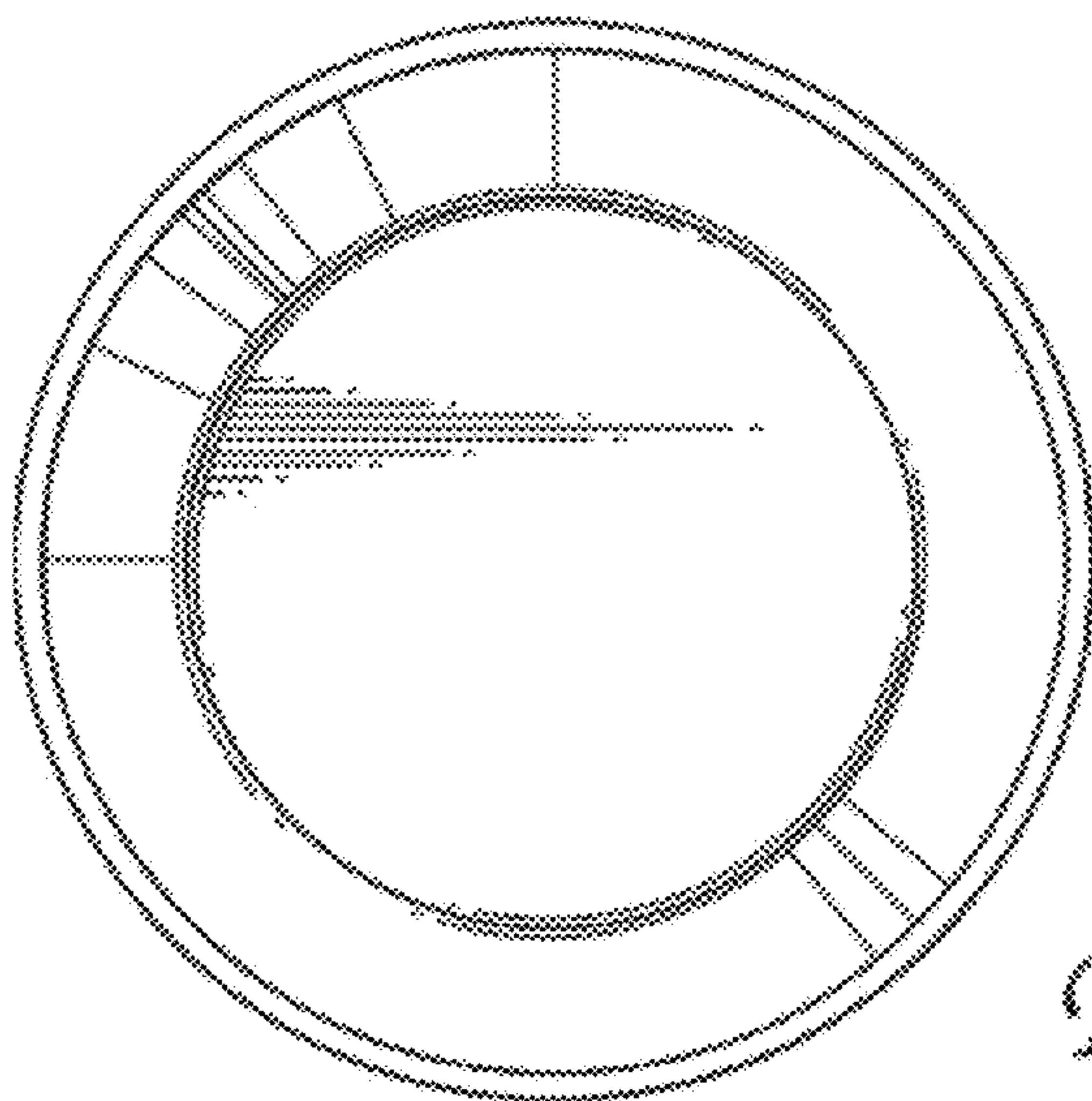


Fig. 3

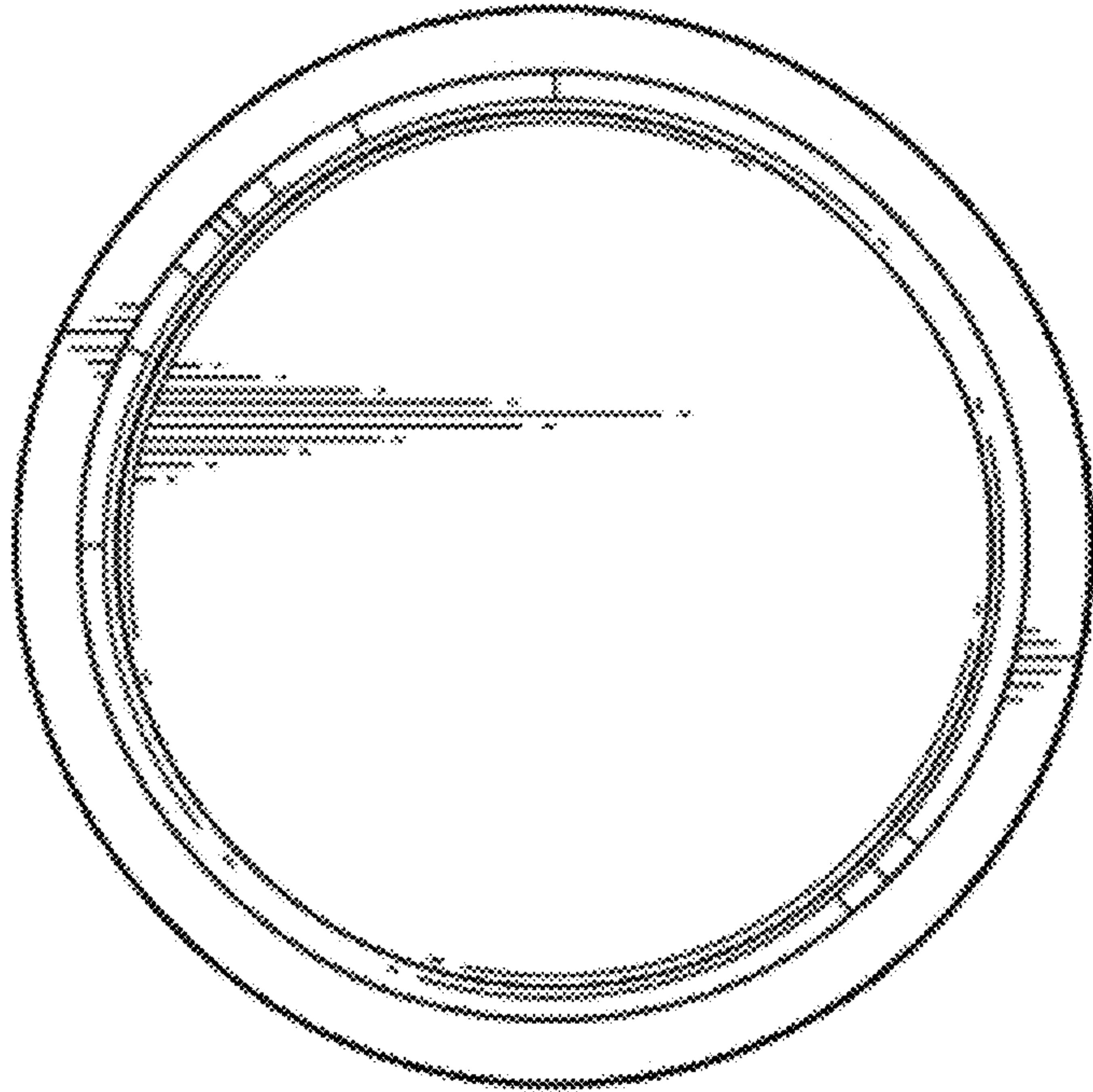


Fig. 4

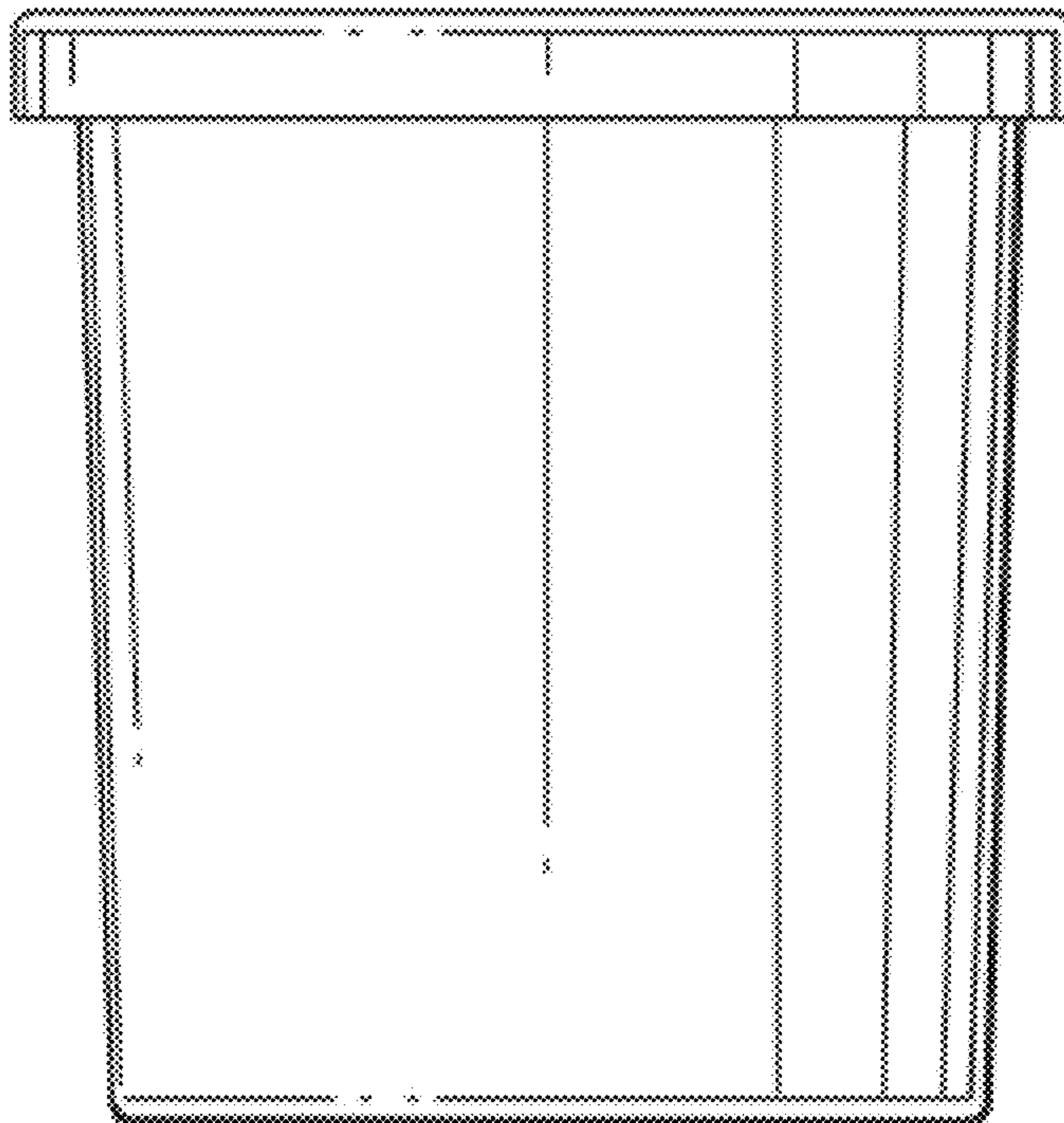


Fig. 5