



US00D656695S

(12) **United States Design Patent**
Crawley

(10) **Patent No.:** **US D656,695 S**
(45) **Date of Patent:** **** Mar. 27, 2012**

(54) **ACCESSORY BRUSH FOR A VACUUM CLEANER**

(75) Inventor: **Graeme Crawley**, Newcastle-upon-Tyne (GB)

(73) Assignee: **Black & Decker Inc.**, Newark, DE (US)

(**) Term: **14 Years**

(21) Appl. No.: **29/390,626**

(22) Filed: **Apr. 27, 2011**

(30) **Foreign Application Priority Data**

Nov. 3, 2010 (EM) 001242952

(51) **LOC (9) Cl.** **15-05**

(52) **U.S. Cl.** **D32/33**

(58) **Field of Classification Search** D32/31-33, D32/25; 15/329, 337, 338, 415.1, 416-422, 15/422.1, 93.1, 246.2, 322, 350-354, 361-363, 15/366, 378, 400-401, 414, 412, 344
See application file for complete search history.

(56) **References Cited**

U.S. PATENT DOCUMENTS

D519,696 S * 4/2006 Adams D32/33
D520,202 S * 5/2006 Dyson et al. D32/33
7,260,869 B2 * 8/2007 Kim 15/416

D565,261 S * 3/2008 Peace D32/31
D603,570 S * 11/2009 Svantesson et al. D32/32
D621,566 S * 8/2010 Crawley et al. D32/33
2004/0045127 A1 * 3/2004 Albert et al. 15/415.1
2005/0044660 A1 * 3/2005 Kim 15/415.1

* cited by examiner

Primary Examiner — Ruth McInroy

(74) *Attorney, Agent, or Firm* — John Yun

(57) **CLAIM**

The ornamental design for an accessory brush for a vacuum cleaner, as shown and described.

DESCRIPTION

FIG. 1 is a perspective view of an accessory brush for a vacuum cleaner showing my new design.

FIG. 2 is a left view of the accessory brush according to FIG. 1.

FIG. 3 is a right view of the accessory brush according to FIG. 1.

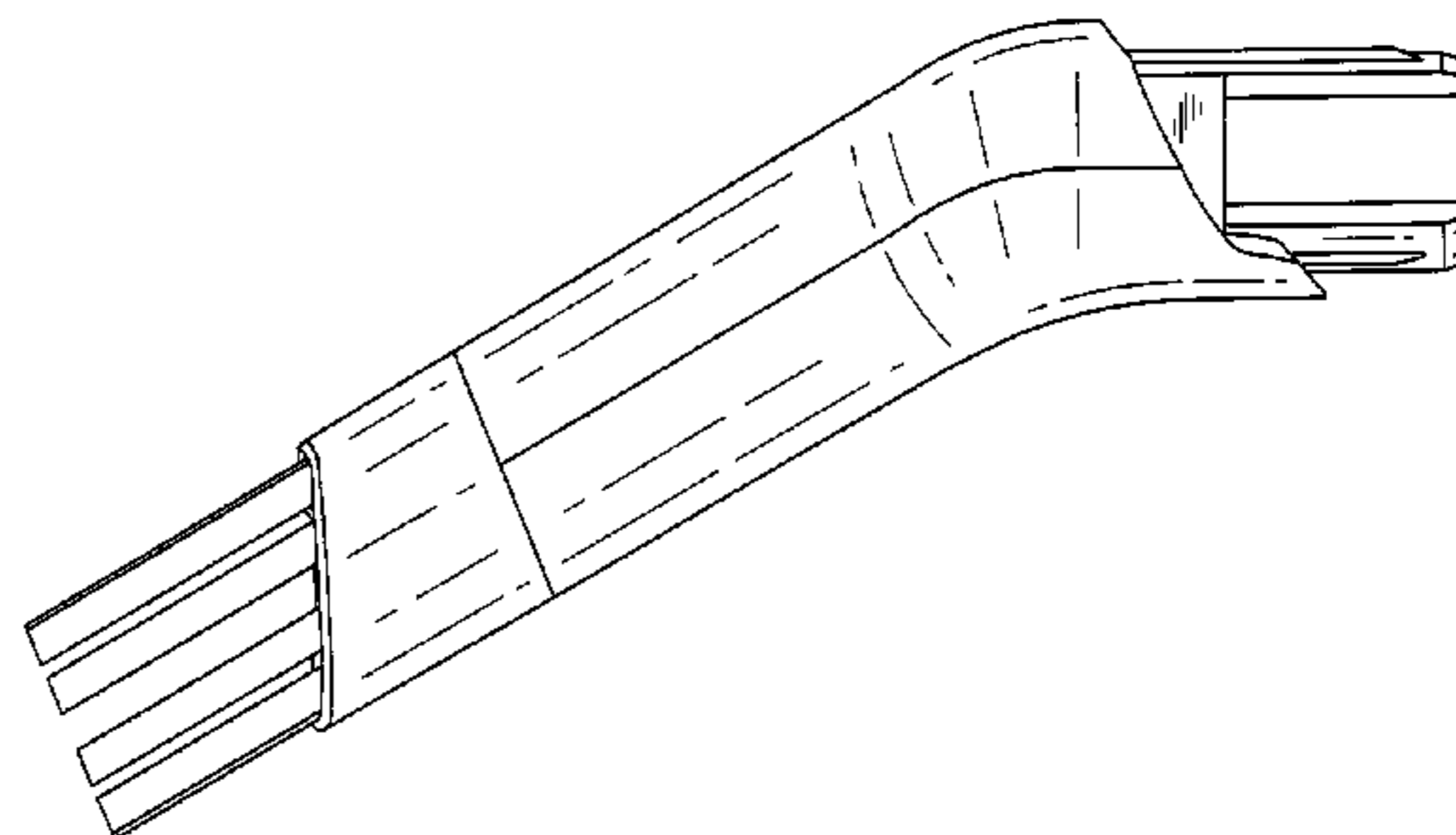
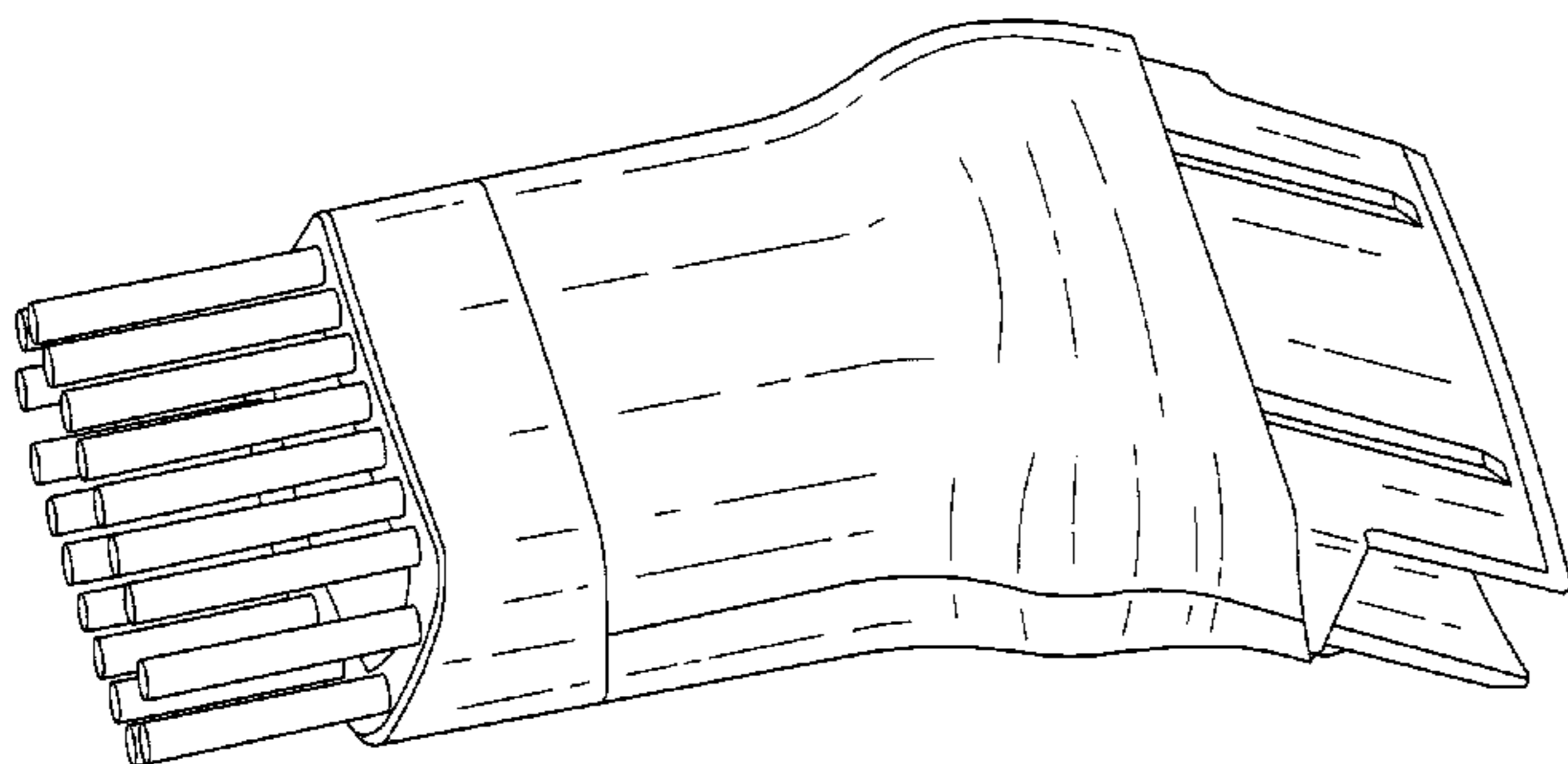
FIG. 4 is a front view of the accessory brush according to FIG. 1.

FIG. 5 is a rear view of the accessory brush according to FIG. 1.

FIG. 6 is a top view of the accessory brush according to FIG. 1; and,

FIG. 7 is a bottom view of the accessory brush for a vacuum cleaner according to FIG. 1.

1 Claim, 6 Drawing Sheets



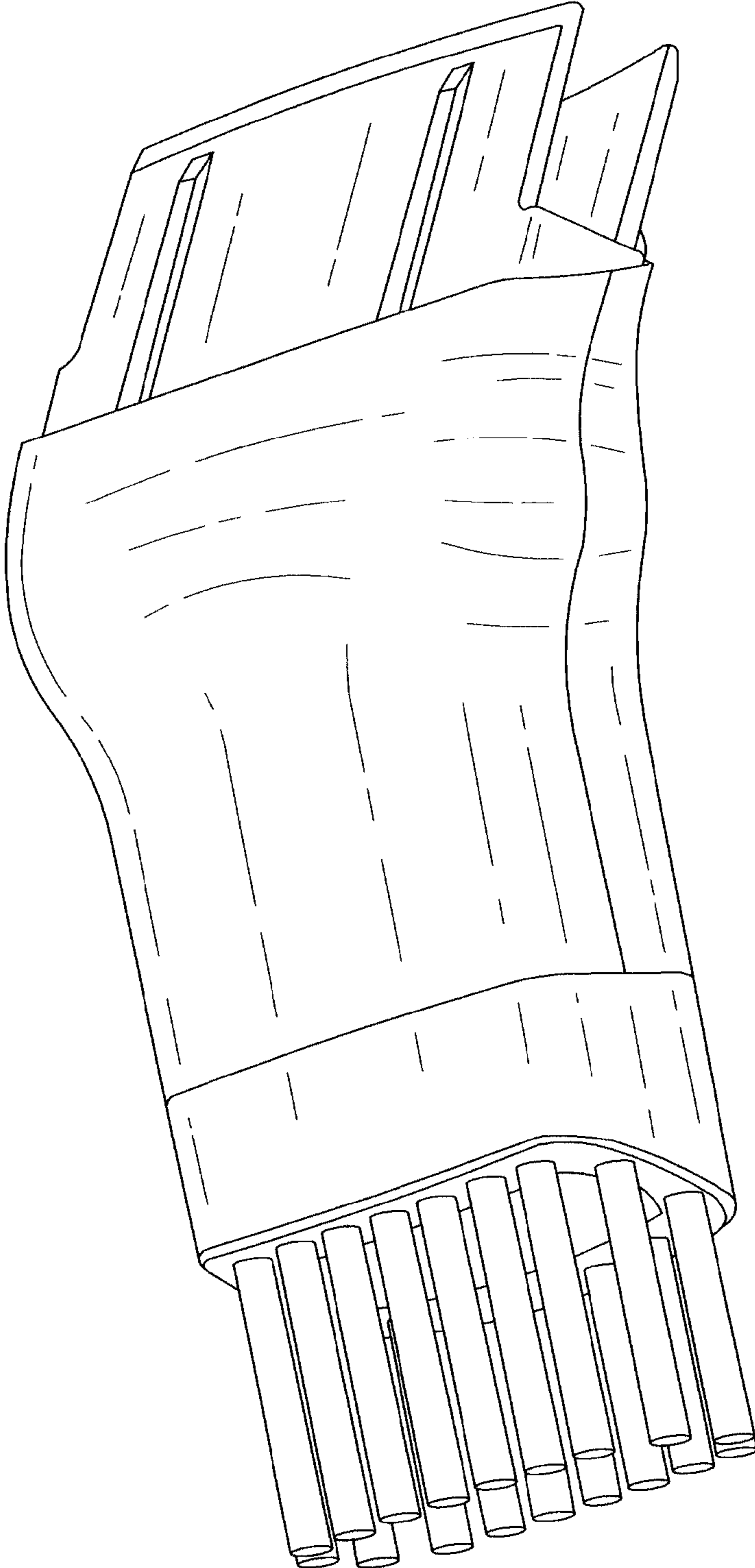


FIG.1

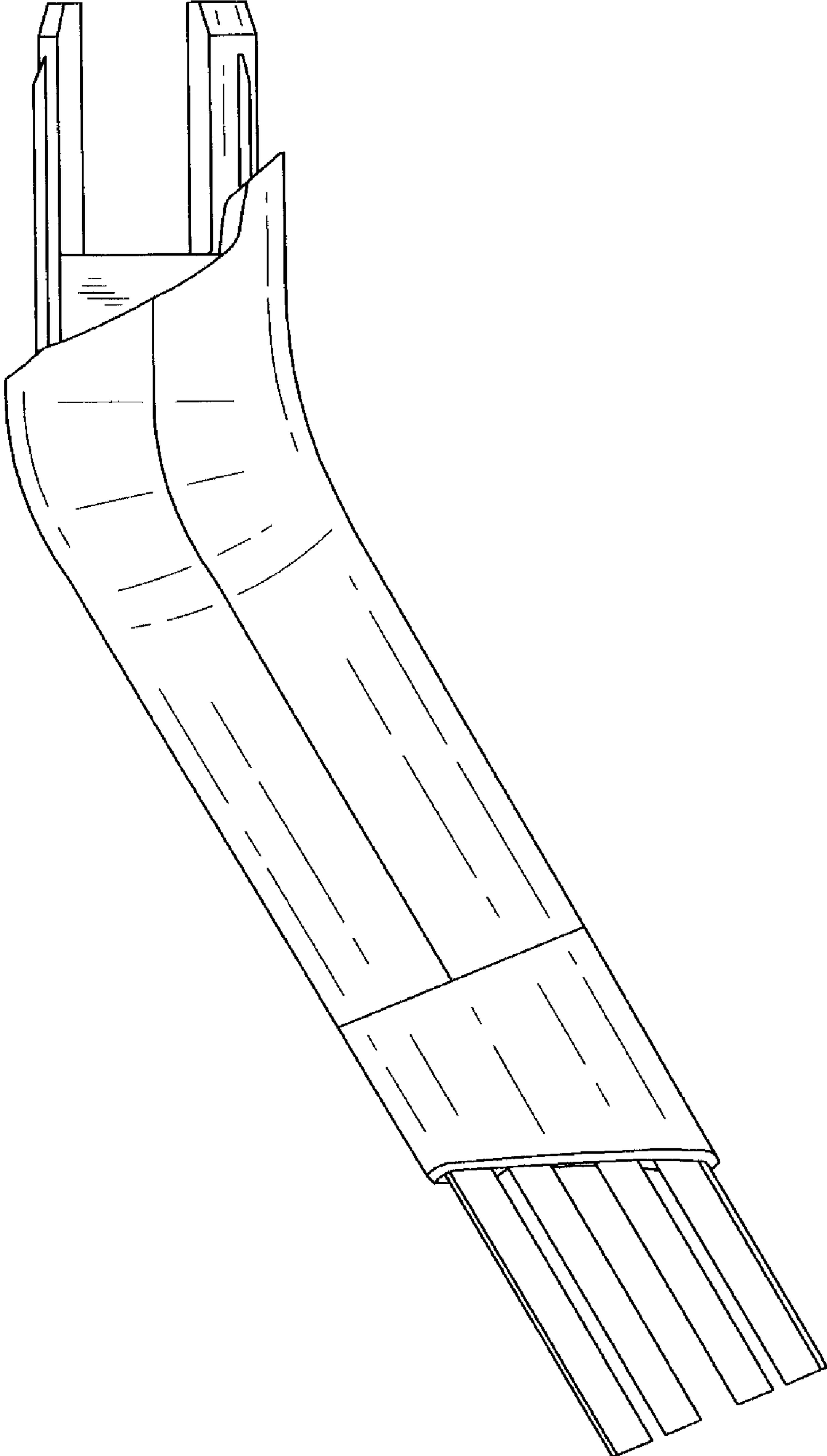


FIG.2

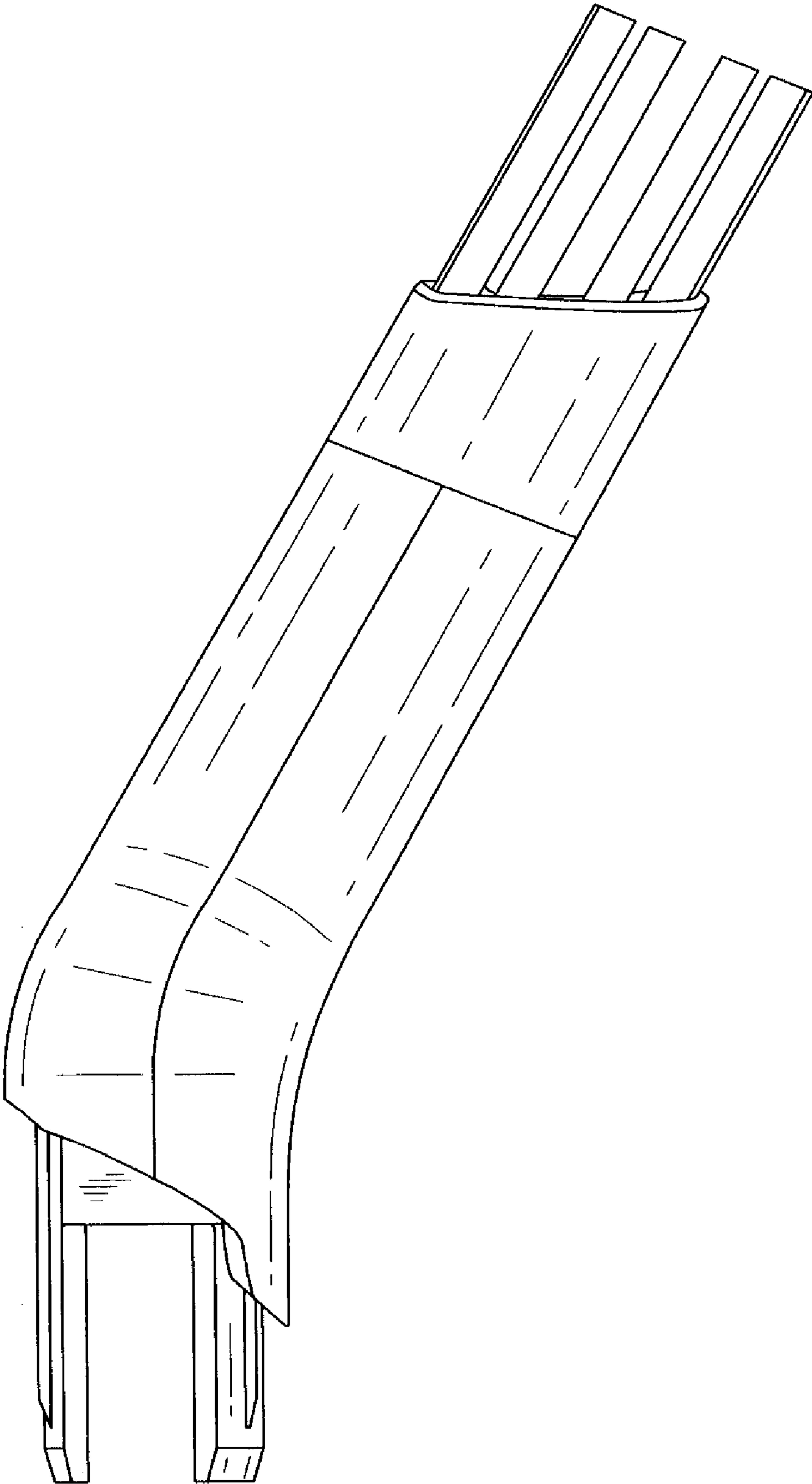


FIG.3

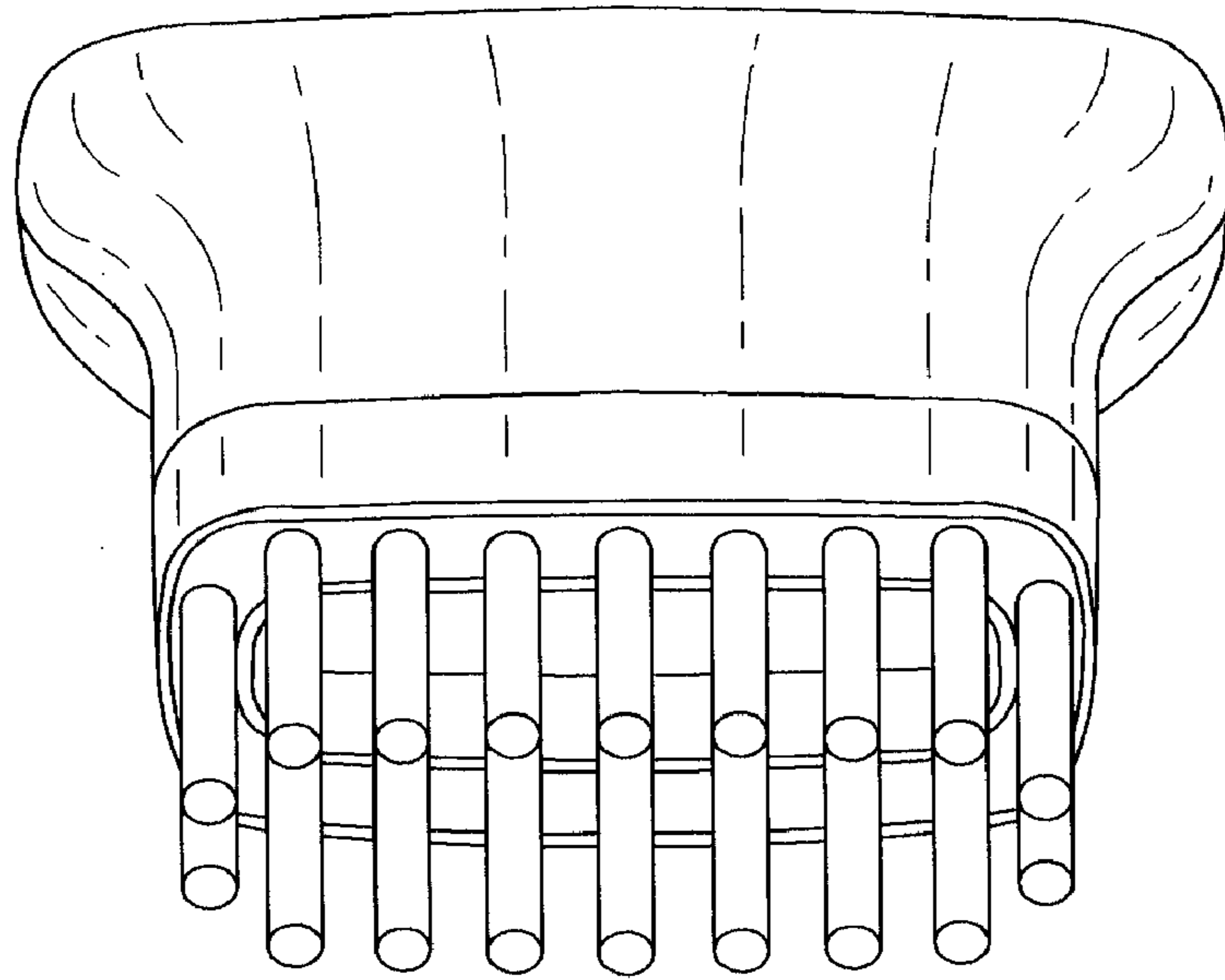


FIG. 4

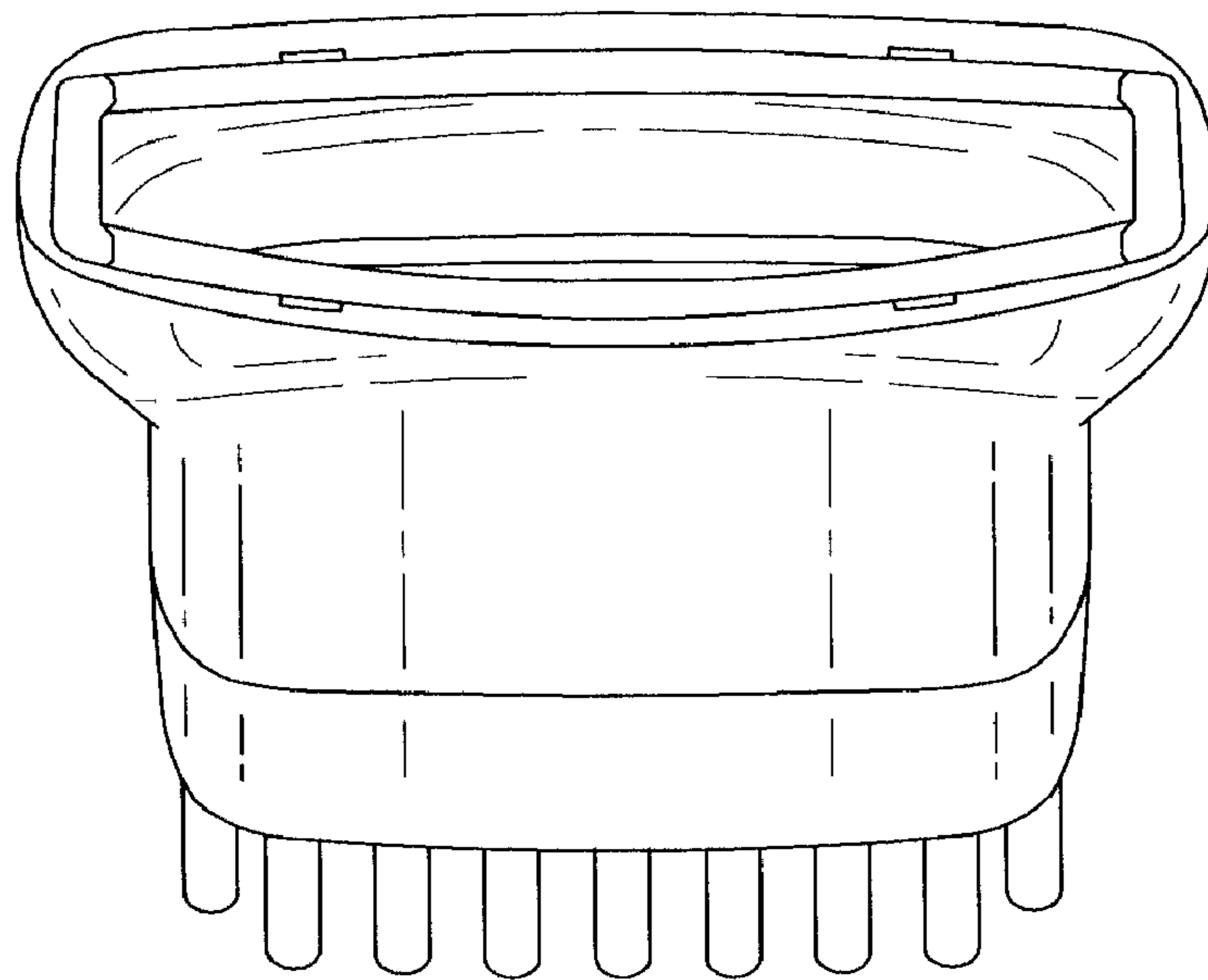


FIG. 5

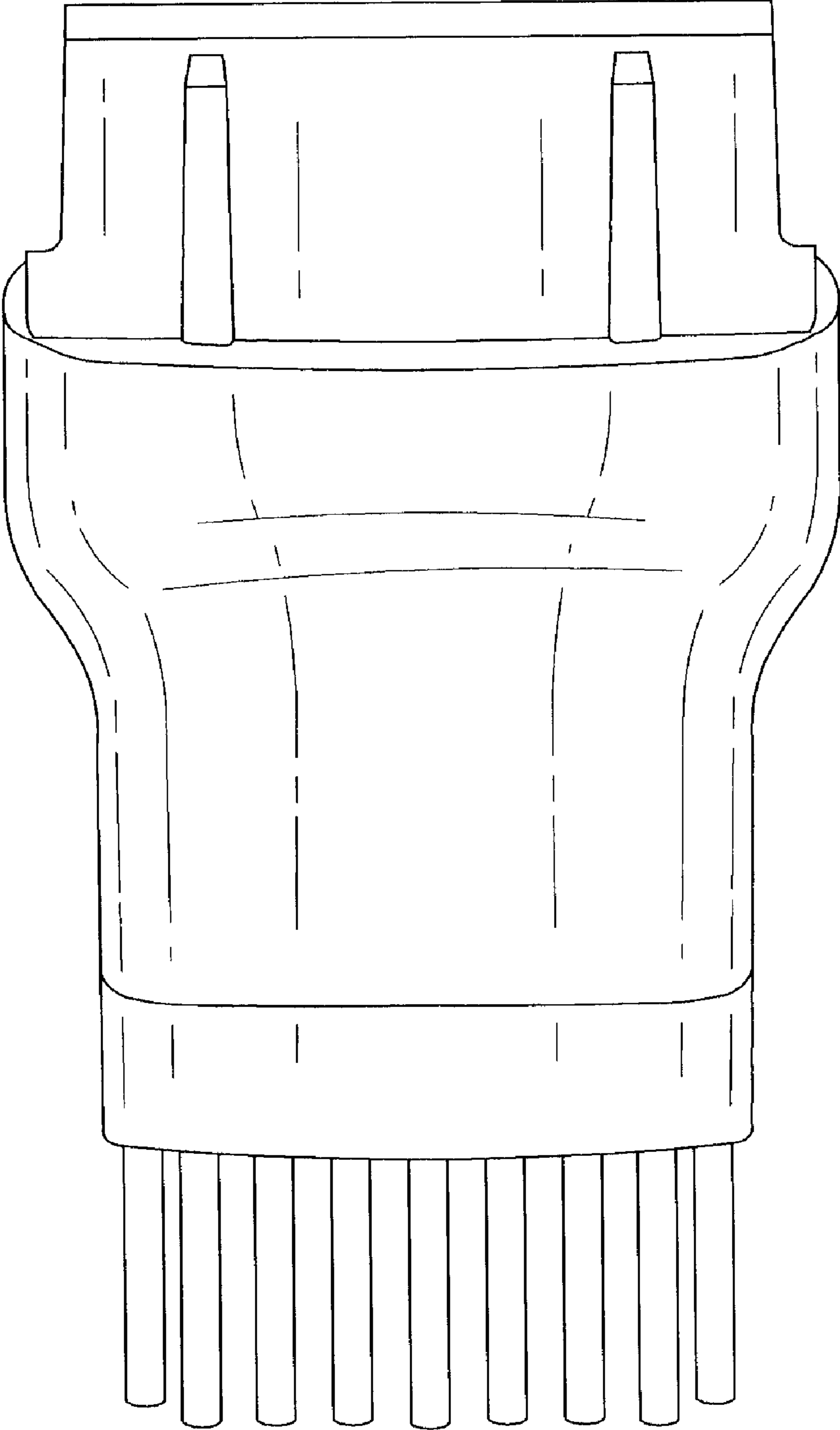


FIG.6

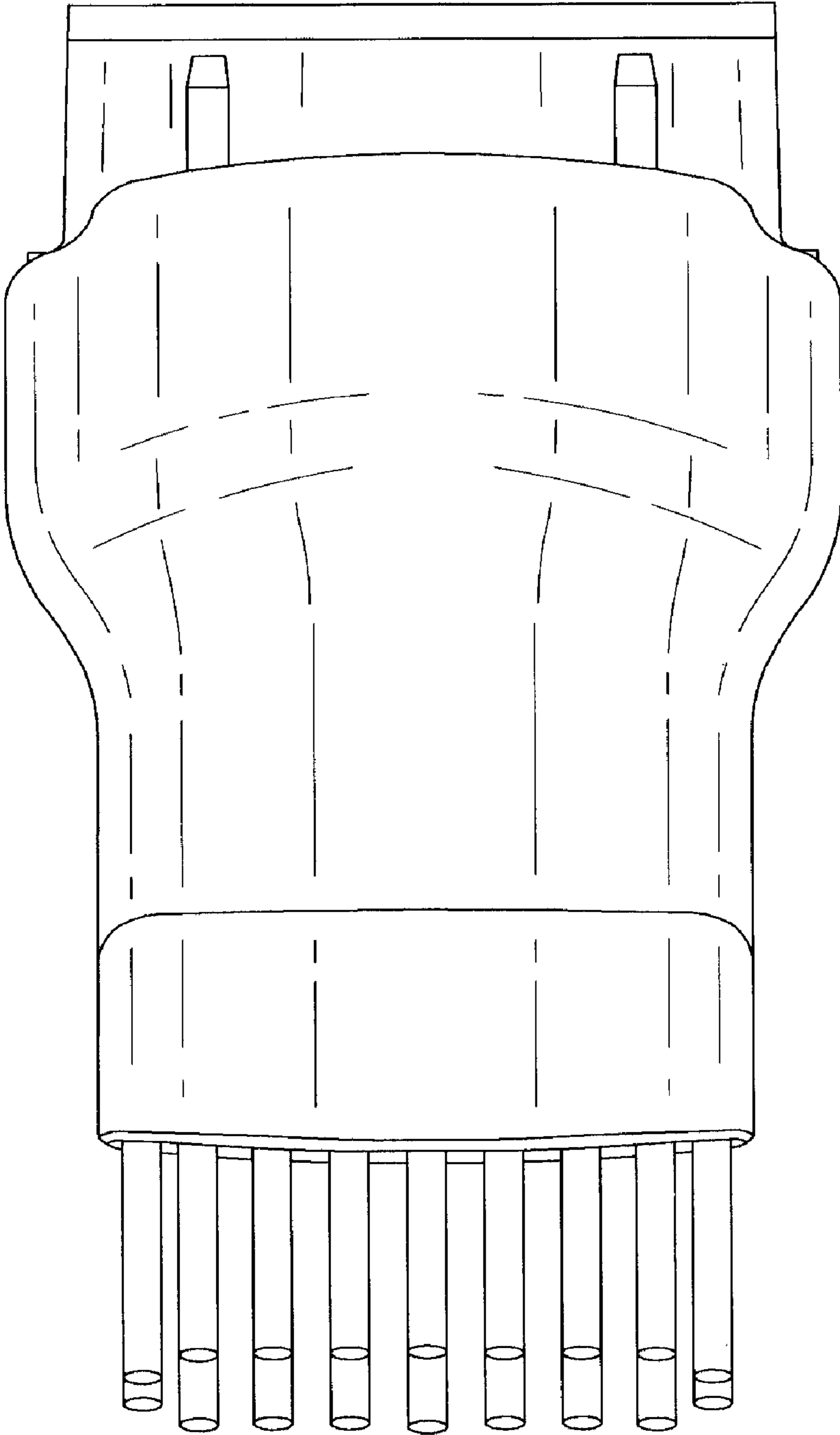


FIG.7