



US00D656694S

(12) **United States Design Patent**  
**Kim**

(10) **Patent No.:** **US D656,694 S**

(45) **Date of Patent:** **\*\* \*Mar. 27, 2012**

(54) **LAUNDRY COUNTERTOP**

(75) Inventor: **Myungshik Kim**, Seoul (KR)

(73) Assignee: **LG Electronics Inc.**, Seoul (KR)

(\*) Notice: This patent is subject to a terminal disclaimer.

(\*\*) Term: **14 Years**

(21) Appl. No.: **29/363,424**

(22) Filed: **Jun. 9, 2010**

(30) **Foreign Application Priority Data**

May 12, 2010 (KR) ..... 30-2010-0021150

(51) **LOC (9) Cl.** ..... **15-05**

(52) **U.S. Cl.** ..... **D32/25**

(58) **Field of Classification Search** ..... D32/25;  
D14/389; D19/20, 52, 75, 77, 86, 95; D6/509-511;  
D7/590; D3/318; 206/562; 381/337; 108/26-27;  
248/346.01; 281/35, 44-45; 24/67.3  
See application file for complete search history.

(56) **References Cited**

**U.S. PATENT DOCUMENTS**

|           |     |         |                  |          |
|-----------|-----|---------|------------------|----------|
| 1,482,742 | A * | 2/1924  | Gilchrist        | 108/158  |
| D90,578   | S * | 8/1933  | Grogan           | D32/25   |
| D129,536  | S * | 9/1941  | Moon             | D32/25   |
| D235,955  | S * | 7/1975  | Shelly           | D6/511   |
| D258,293  | S * | 2/1981  | Macowski         | D19/95   |
| D283,474  | S * | 4/1986  | Appel            | D6/511   |
| 4,713,949 | A * | 12/1987 | Wilcox           | 68/235 R |
| D299,395  | S * | 1/1989  | Osvold           | D6/511   |
| D300,791  | S * | 4/1989  | Osvold           | D6/511   |
| D315,456  | S * | 3/1991  | Couch et al.     | D6/406.4 |
| 5,018,628 | A * | 5/1991  | Schenck et al.   | 211/153  |
| D331,257  | S * | 11/1992 | Breen et al.     | D19/20   |
| D371,644  | S * | 7/1996  | Lillelund et al. | D30/133  |
| 5,598,786 | A * | 2/1997  | Patterson        | 108/43   |
| 5,983,808 | A * | 11/1999 | Weil             | 108/152  |
| D443,999  | S * | 6/2001  | Cable            | D6/406.4 |

|              |      |         |                  |            |
|--------------|------|---------|------------------|------------|
| D452,867     | S *  | 1/2002  | Goto             | D14/447    |
| 6,386,378    | B1 * | 5/2002  | Scharing         | 211/86.01  |
| D477,479     | S *  | 7/2003  | Henderson et al. | D6/510     |
| 6,931,143    | B2 * | 8/2005  | Caron et al.     | 381/337    |
| D525,059     | S *  | 7/2006  | Golias et al.    | D6/511     |
| D541,563     | S *  | 5/2007  | LaBonia et al.   | D6/511     |
| D562,039     | S *  | 2/2008  | Browne et al.    | D6/509     |
| D562,040     | S *  | 2/2008  | Browne et al.    | D6/509     |
| D568,643     | S *  | 5/2008  | Browne et al.    | D6/509     |
| D568,644     | S *  | 5/2008  | Browne et al.    | D6/509     |
| D569,139     | S *  | 5/2008  | Browne et al.    | D6/509     |
| D569,140     | S *  | 5/2008  | Browne et al.    | D6/509     |
| D572,513     | S *  | 7/2008  | McCammon         | D6/511     |
| D583,163     | S *  | 12/2008 | Jennings         | D6/406.6   |
| D593,783     | S *  | 6/2009  | Golias et al.    | D6/511     |
| D632,034     | S *  | 2/2011  | Ha et al.        | D32/25     |
| D635,380     | S *  | 4/2011  | Kim              | D6/509     |
| D643,656     | S *  | 8/2011  | Golias et al.    | D6/511     |
| 2007/0051864 | A1 * | 3/2007  | Bartell et al.   | 248/346.01 |

\* cited by examiner

*Primary Examiner* — T. Chase Nelson

*Assistant Examiner* — Kathleen M Sims

(74) *Attorney, Agent, or Firm* — Morgan, Lewis & Bockius LLP

(57) **CLAIM**

The ornamental design for a laundry countertop, as shown and described.

**DESCRIPTION**

FIG. 1 is a top, front, perspective view of a laundry countertop showing my new design;  
FIG. 2 is a front view thereof;  
FIG. 3 is a rear view thereof;  
FIG. 4 is a left side view thereof;  
FIG. 5 is a right side view thereof;  
FIG. 6 is a top view thereof;  
FIG. 7 is a bottom view thereof; and  
FIG. 8 is a first perspective reference view; and,  
FIG. 9 is a second perspective reference view.  
The broken lines shown in FIGS. 8 and 9 depict environmental structure that forms no part of the claimed design.

**1 Claim, 5 Drawing Sheets**

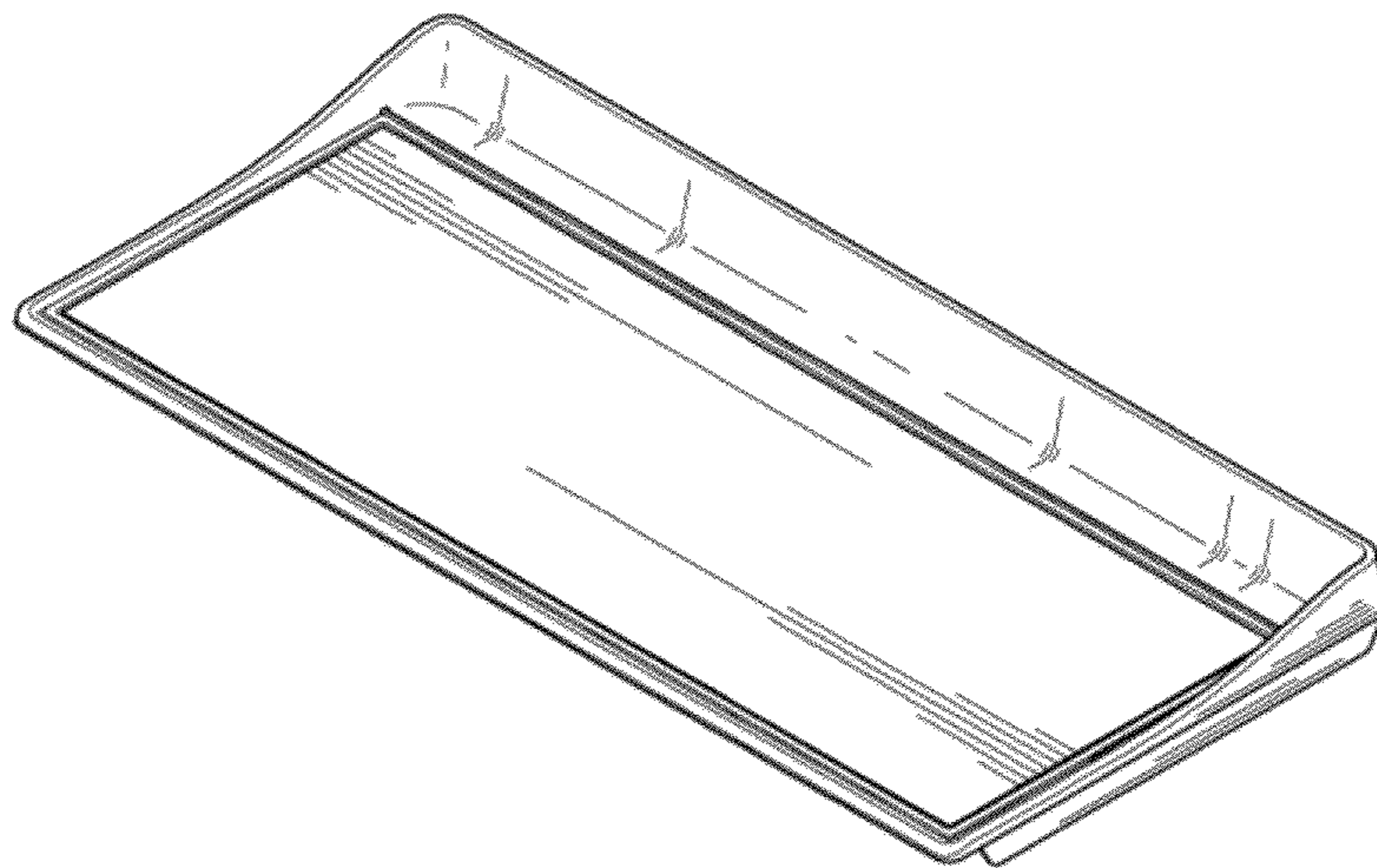


FIG. 1

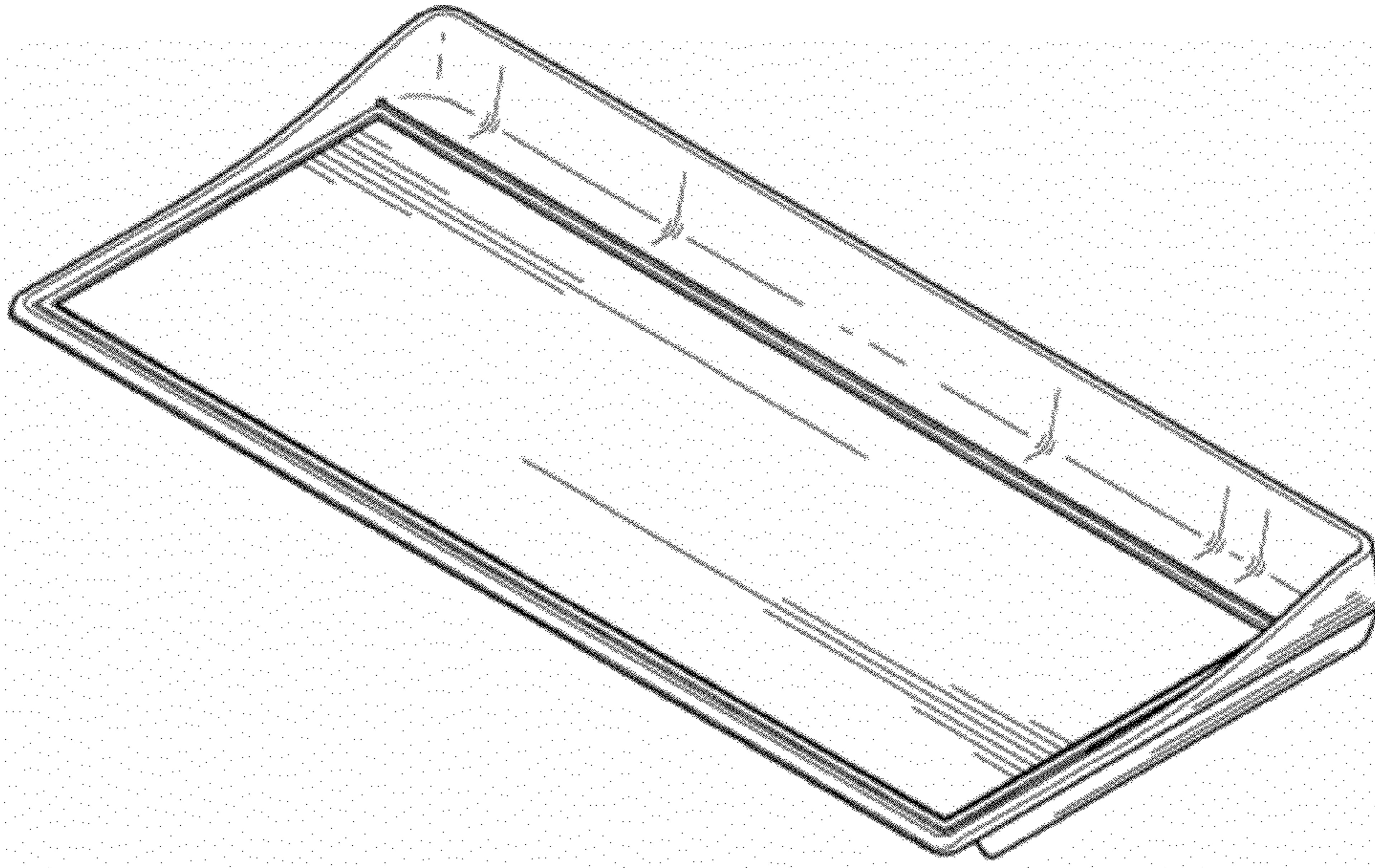


FIG. 2

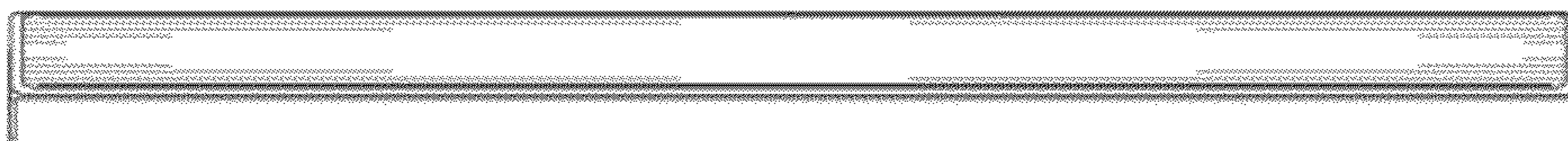


FIG. 3

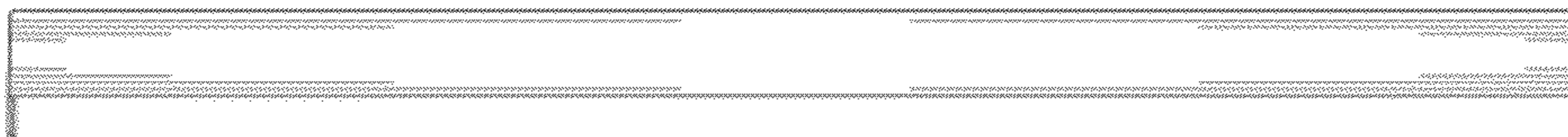


FIG. 4

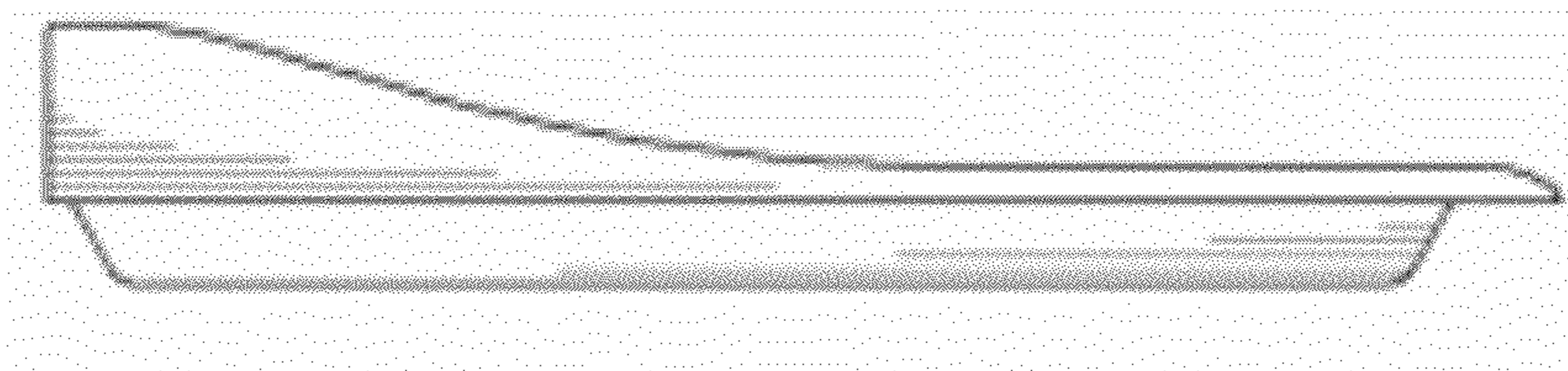


FIG. 5

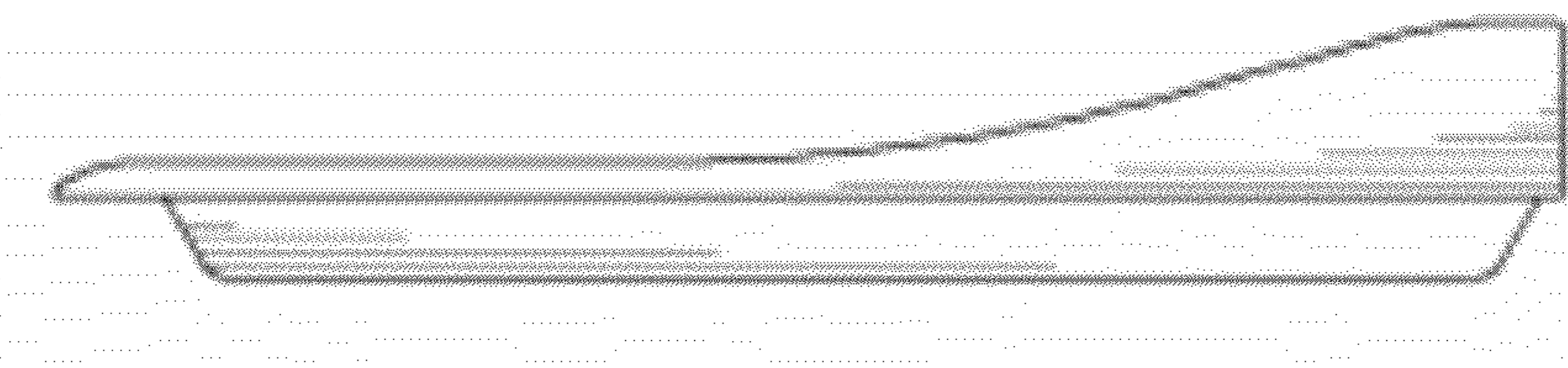


FIG. 6

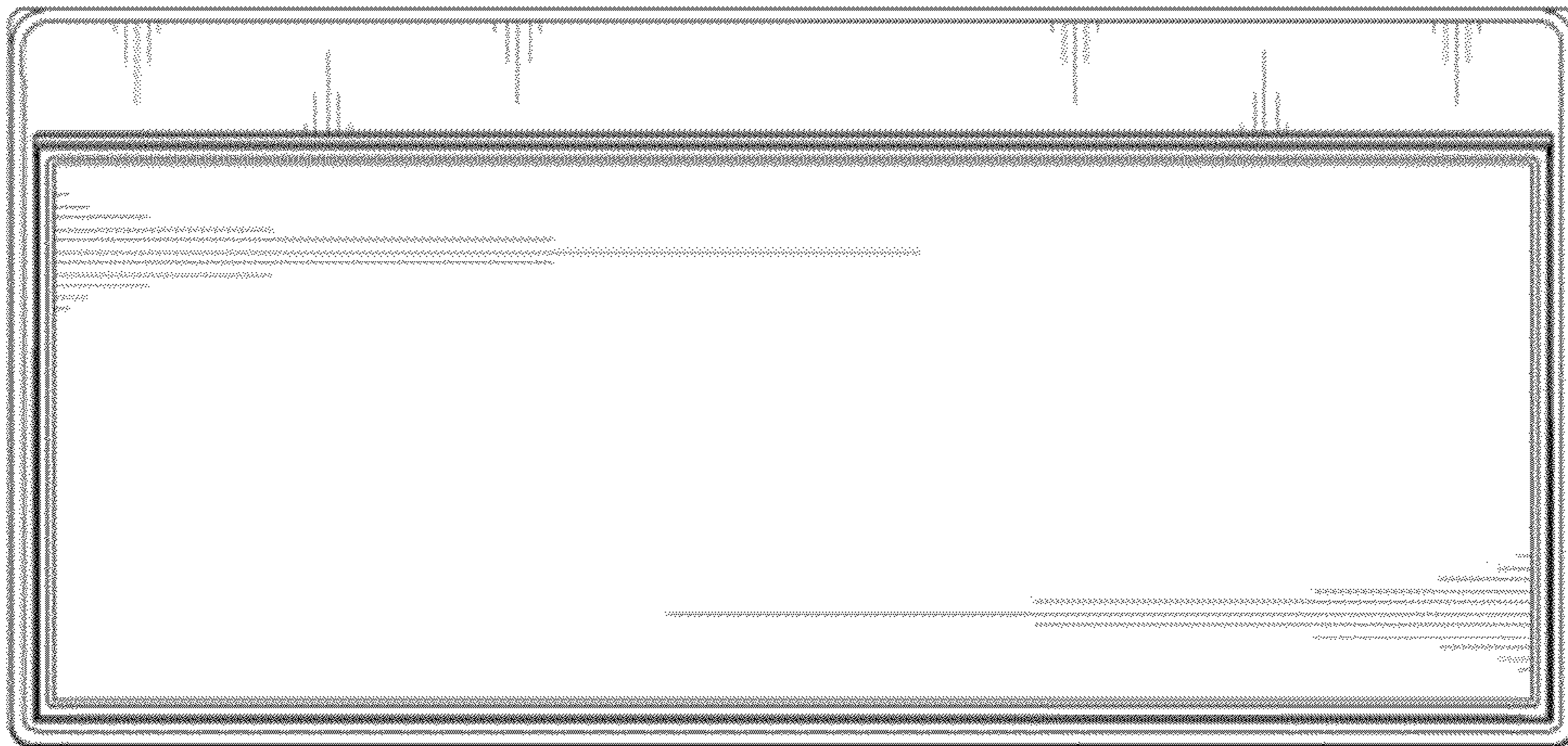


FIG. 7

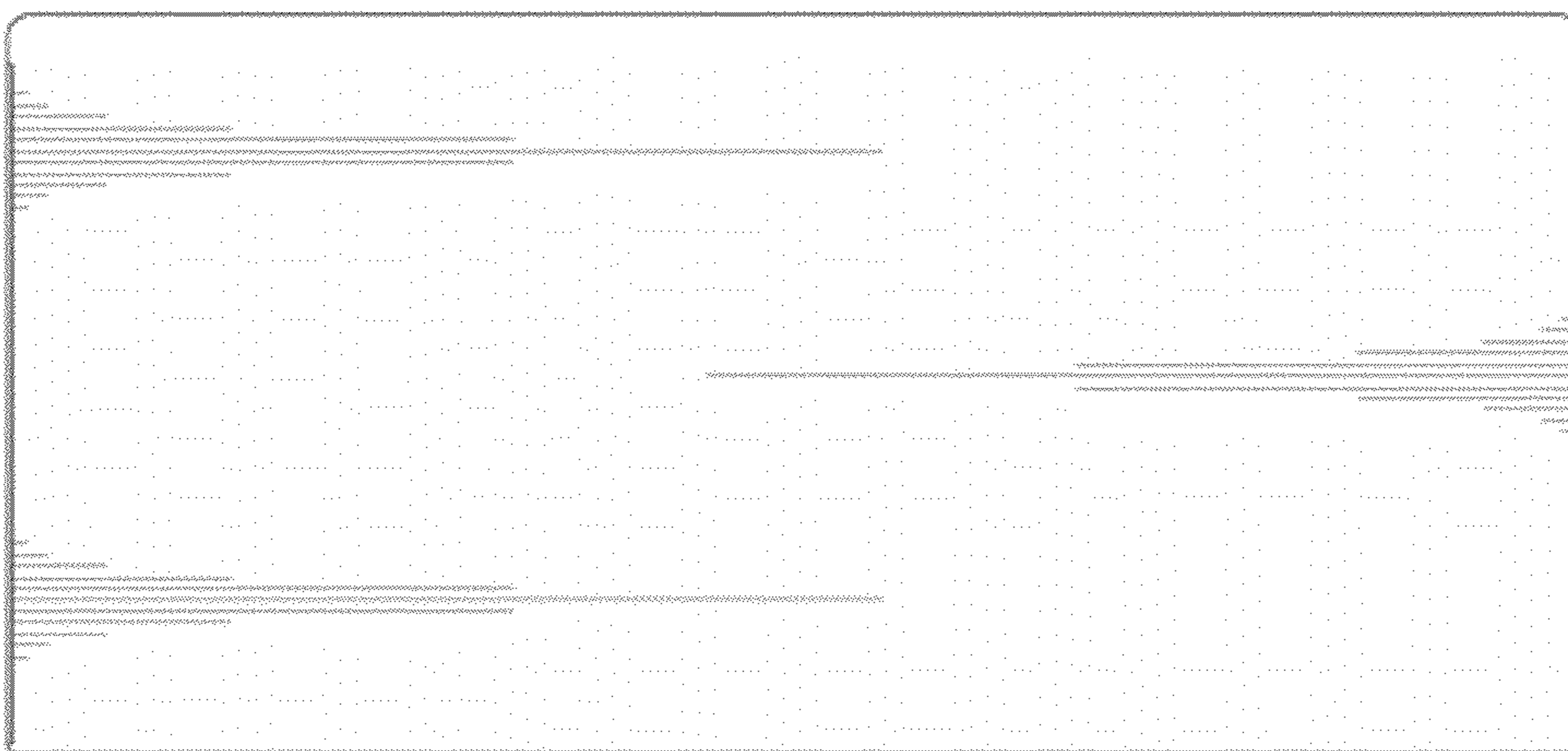


FIG. 8

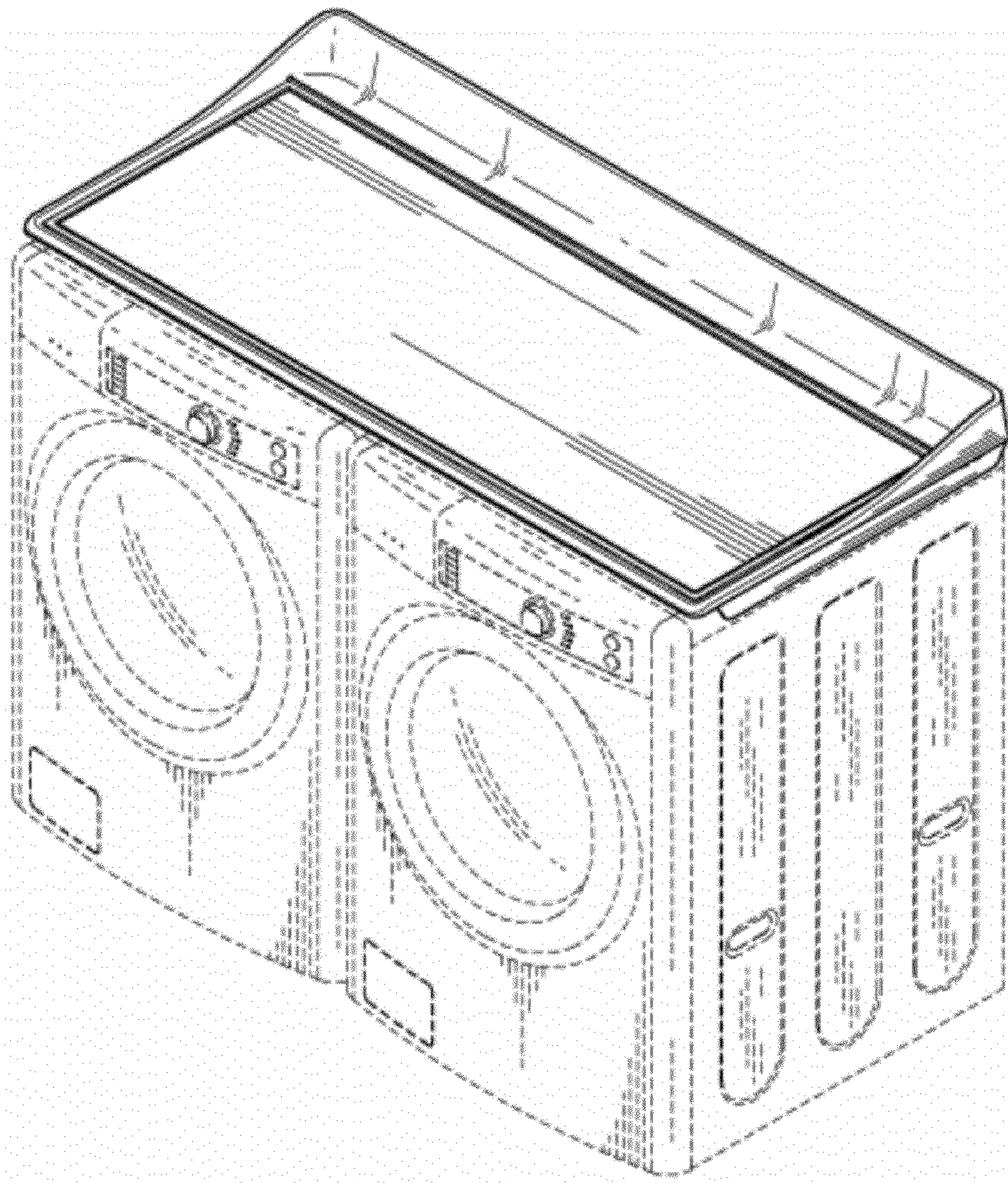


FIG. 9

