



US00D656693S

(12) **United States Design Patent**  
**Lavy**

(10) **Patent No.:** **US D656,693 S**  
(45) **Date of Patent:** **\*\* Mar. 27, 2012**

- (54) **PORTABLE STEAMER**
- (76) Inventor: **Danny Lavy, Westmont (CA)**
- (\*\*) Term: **14 Years**
- (21) Appl. No.: **29/375,756**
- (22) Filed: **Sep. 27, 2010**
- (51) **LOC (9) Cl.** ..... **15-05**
- (52) **U.S. Cl.** ..... **D32/17**
- (58) **Field of Classification Search** ..... D32/1,  
D32/6, 9, 15, 17, 18, 21, 23, 24, 31, 32; D4/114;  
D23/213, 223, 224, 225, 226; 68/5 R, 5 A,  
68/222; 239/583, 584, 525, 526, 527; 8/147,  
8/149.2, 149.3; 392/386, 403-405; 15/300.1,  
15/320, 321, 322, 344, 345; 38/1 R, 2, 3,  
38/69, 76, 77.1, 77.5, 77.7, 77.8, 77.83, 77.9;  
134/19, 198

See application file for complete search history.

(56) **References Cited**

**U.S. PATENT DOCUMENTS**

D221,992 S *	9/1971	Bluestein	.....	D32/17
D233,209 S *	10/1974	Terraillon	.....	D32/17
D441,508 S *	5/2001	Doria	.....	D32/17
D452,051 S *	12/2001	Antonio	.....	D32/17
D468,496 S *	1/2003	Smith	.....	D32/17
D482,505 S *	11/2003	Chow	.....	D32/17
D485,651 S *	1/2004	Lin	.....	D32/17
D488,269 S *	4/2004	Tsai	.....	D32/17
D504,985 S *	5/2005	Buzzi	.....	D32/17
D506,297 S *	6/2005	Buzzi	.....	D32/17
D525,399 S *	7/2006	Alday Lesaga	.....	D32/17
D563,063 S *	2/2008	Mangano et al.	.....	D32/17
D592,366 S *	5/2009	Mangano	.....	D32/17
D611,208 S *	3/2010	Lam	.....	D32/17

D620,208 S *	7/2010	Mangano	.....	D32/17
D620,651 S *	7/2010	Enervold	.....	D32/17
D623,363 S *	9/2010	Ediger et al.	.....	D32/17
D634,493 S *	3/2011	Breit	.....	D32/17
D640,021 S *	6/2011	Houghton	.....	D32/18
D640,848 S *	6/2011	Houghton	.....	D32/18
2002/0010976 A1 *	1/2002	Dodson et al.	.....	15/353
2005/0125934 A1 *	6/2005	Reese	.....	15/320
2005/0274403 A1 *	12/2005	Lin	.....	134/105
2008/0022480 A1 *	1/2008	Lee	.....	15/320

\* cited by examiner

*Primary Examiner* — Stella Reid

*Assistant Examiner* — Elizabeth J Oswecki

(74) *Attorney, Agent, or Firm* — Husch Blackwell LLP

(57) **CLAIM**

The ornamental design for a portable steamer, as shown and described.

**DESCRIPTION**

FIG. 1 is a perspective view of the portable steamer showing my new design, with a hose and an attachment shown in broken lines that form no part of the claim;

FIG. 2 is a first side elevational view of the portable steamer;

FIG. 3 is a second side elevational view of the portable steamer;

FIG. 4 is a front elevational view of the portable steamer;

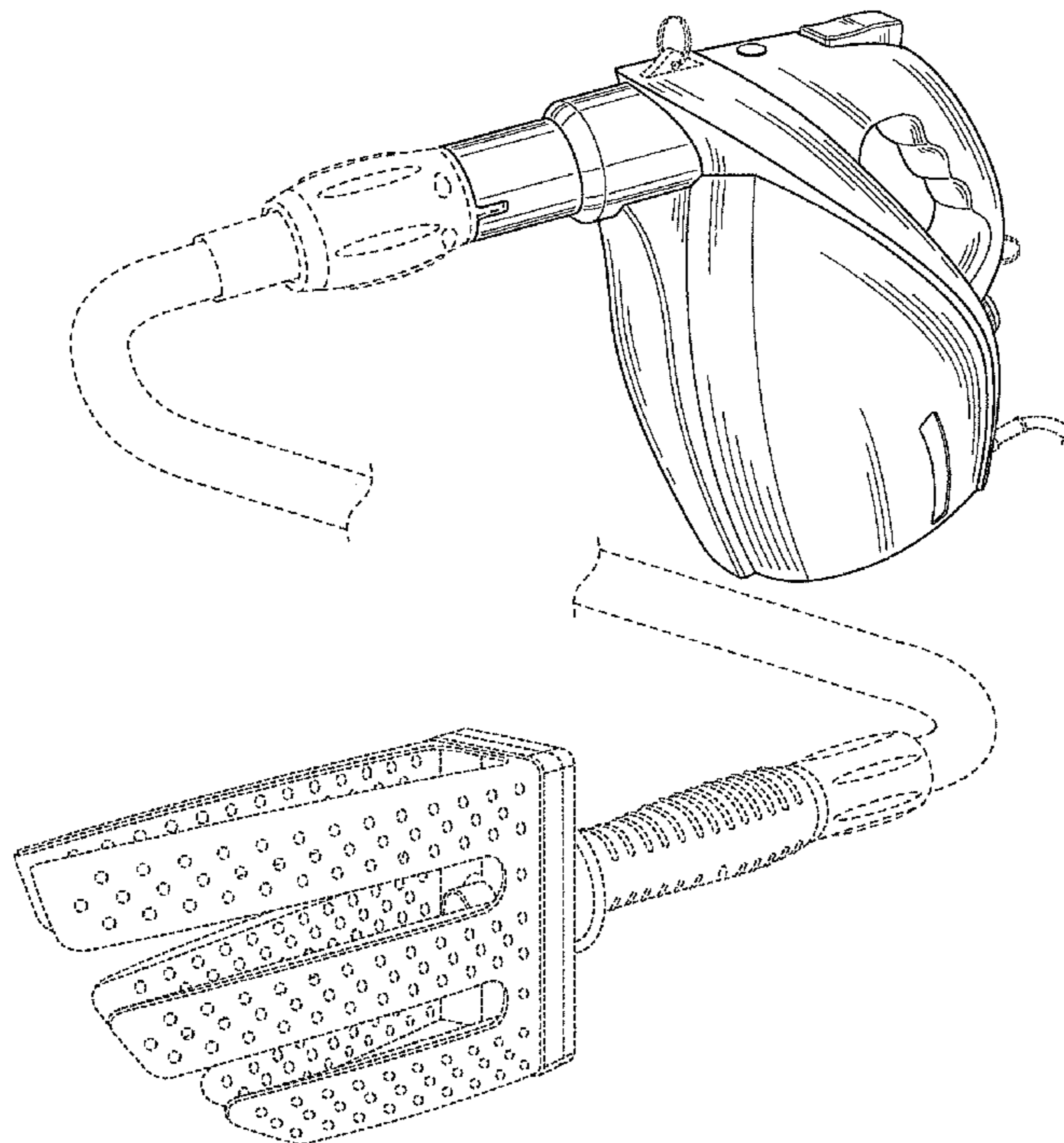
FIG. 5 is a rear elevational view of the portable steamer;

FIG. 6 is a top plan view of the portable steamer; and,

FIG. 7 is a bottom plan view of the portable steamer.

In the drawings, the broken lines in FIGS. 1-7 depict portions of the design that form no part of the claim.

**1 Claim, 4 Drawing Sheets**



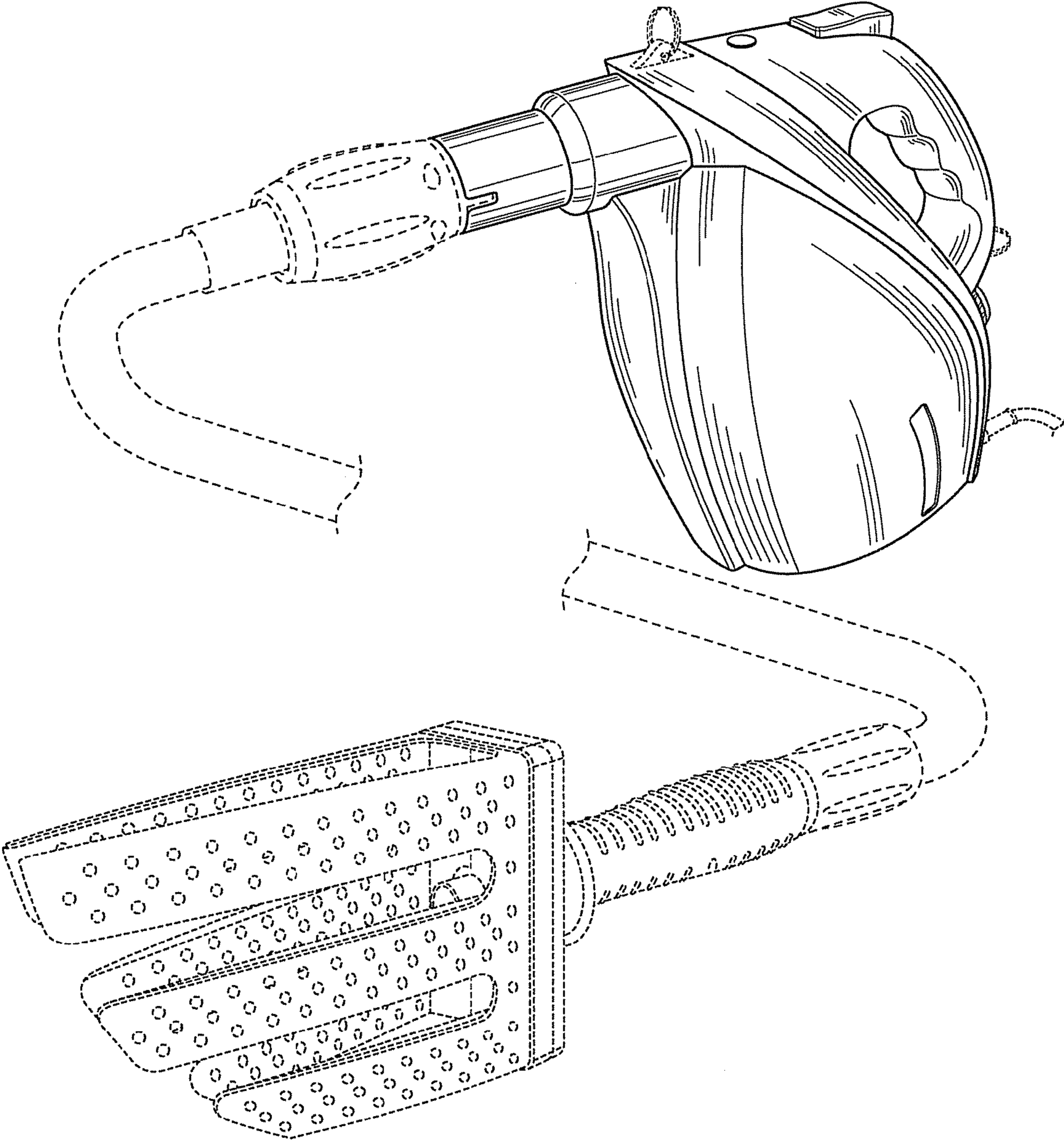


FIG. 1

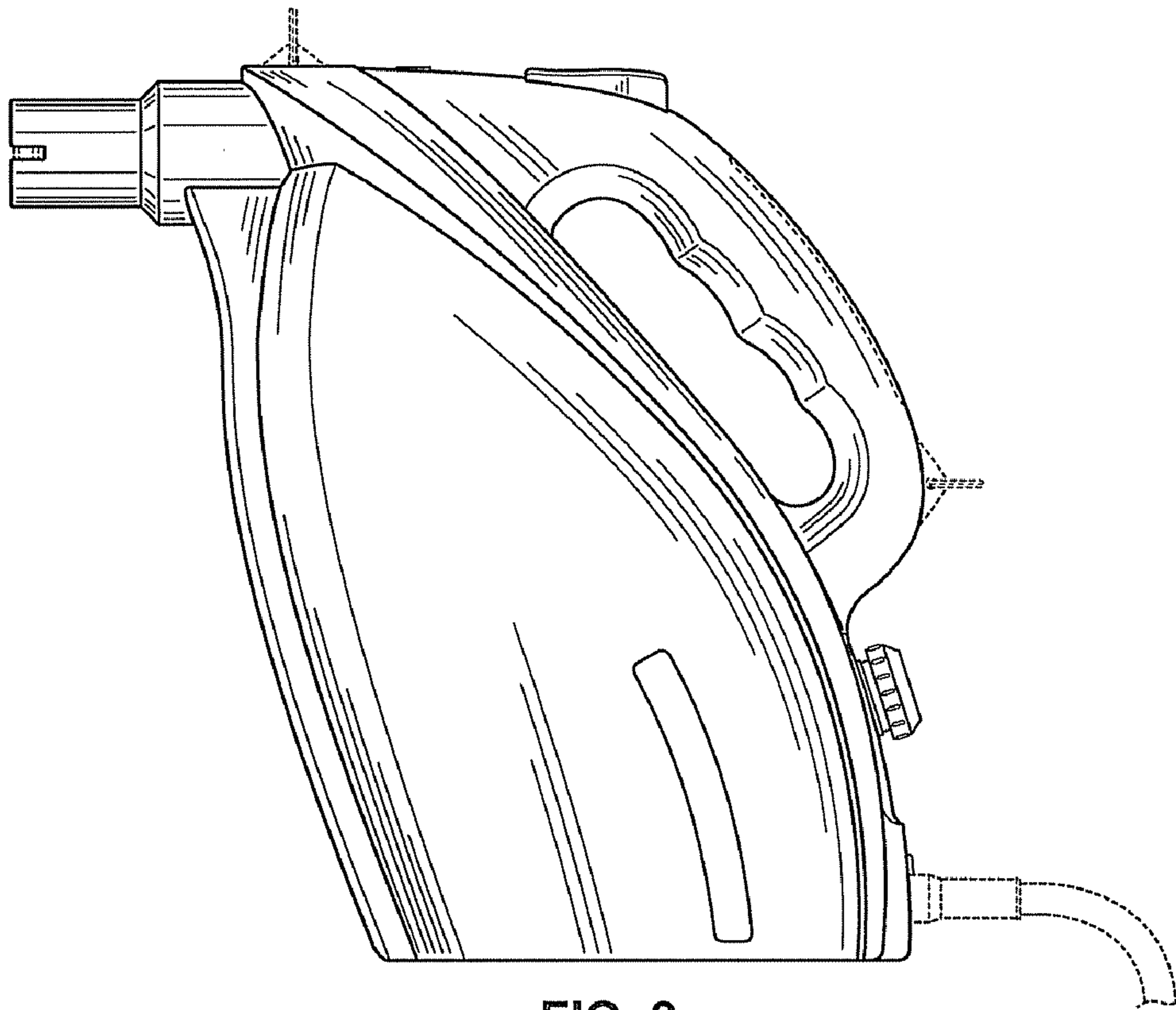


FIG. 2

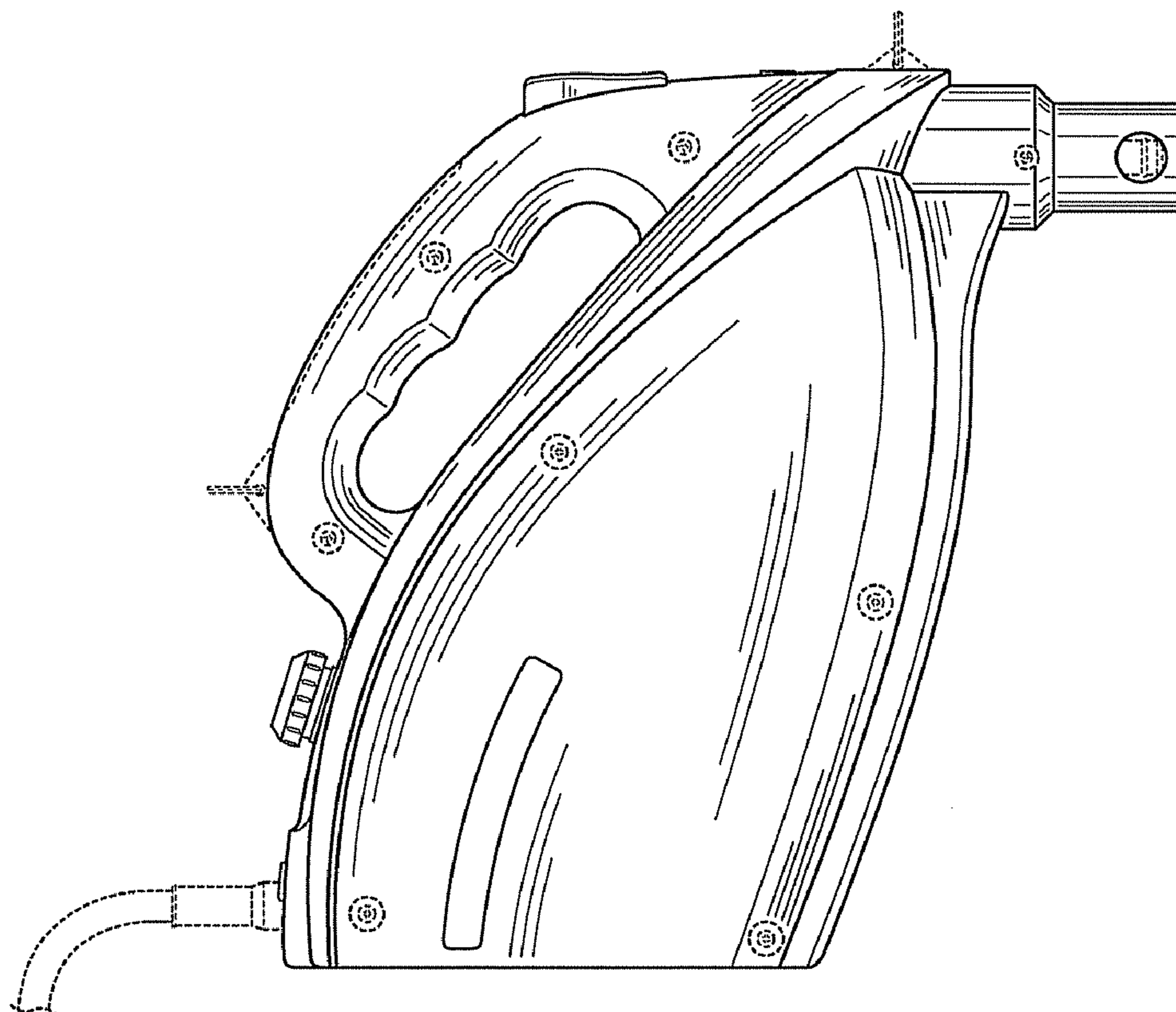


FIG. 3

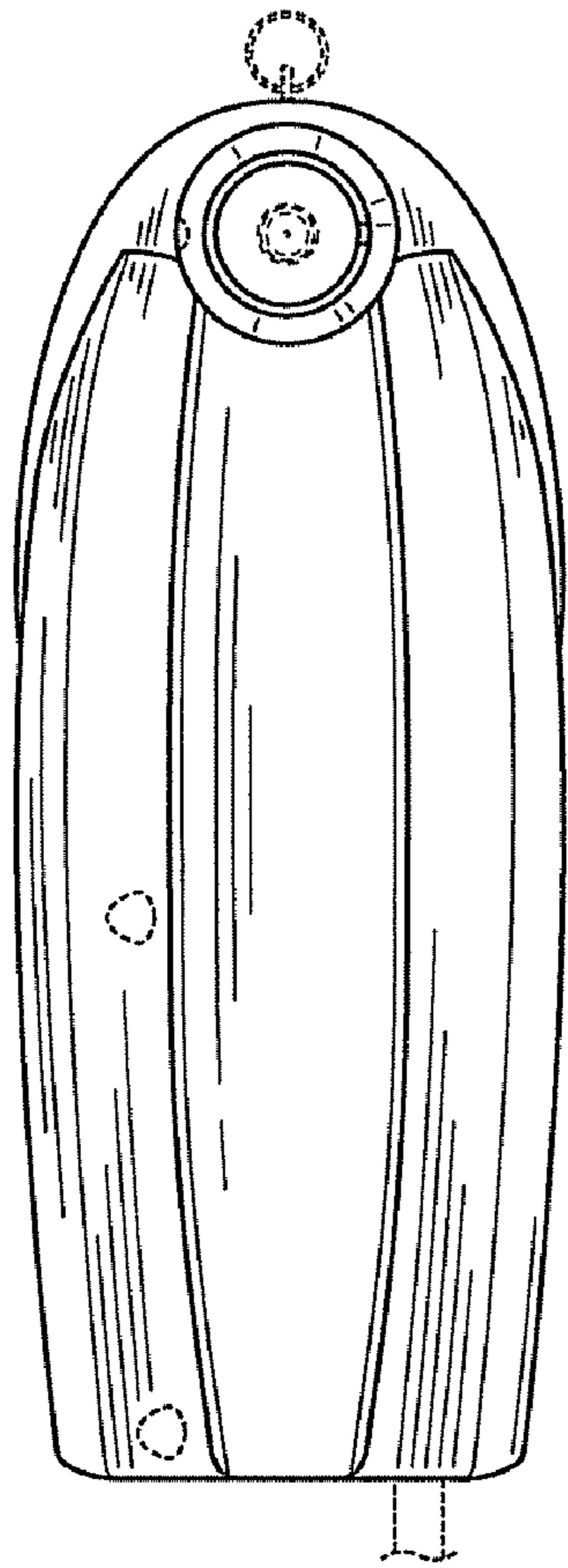


FIG. 4

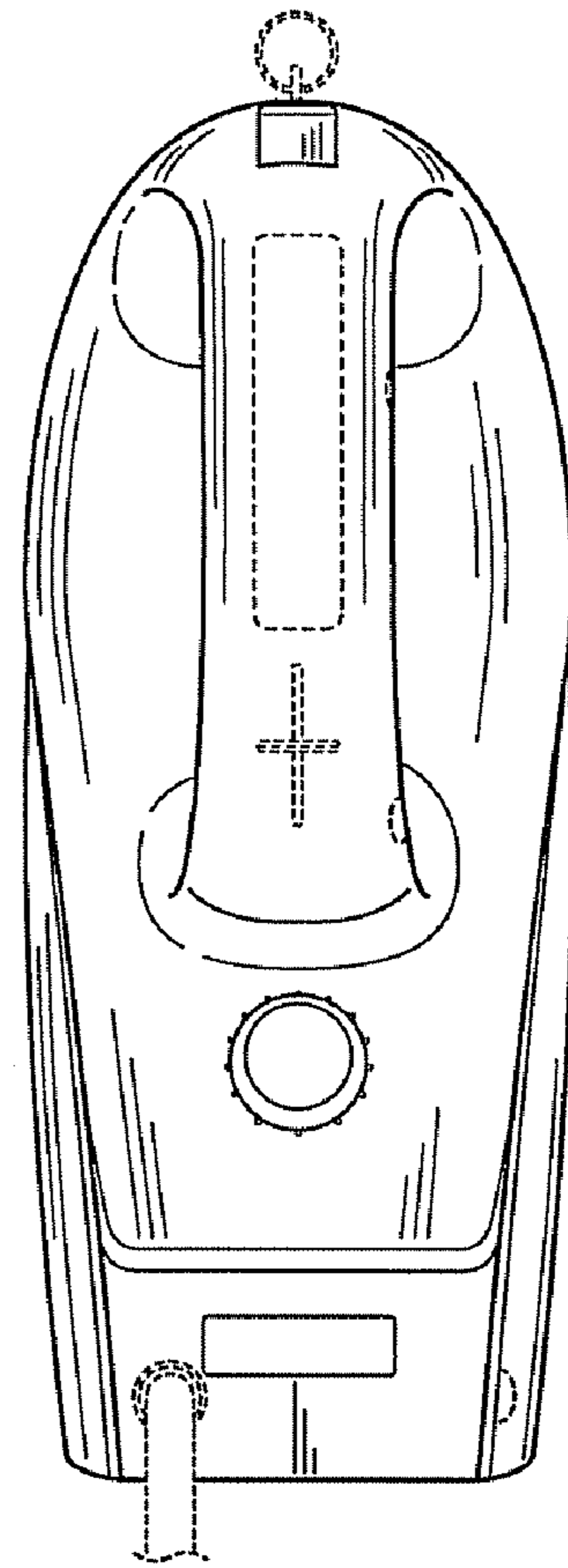


FIG. 5

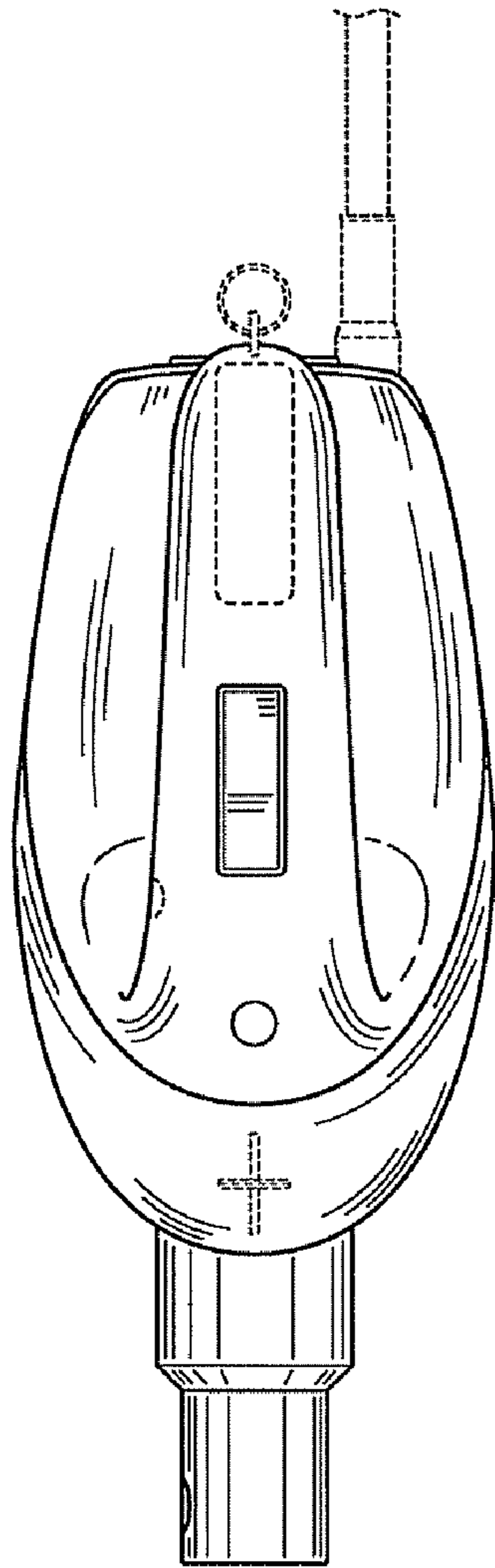


FIG. 6

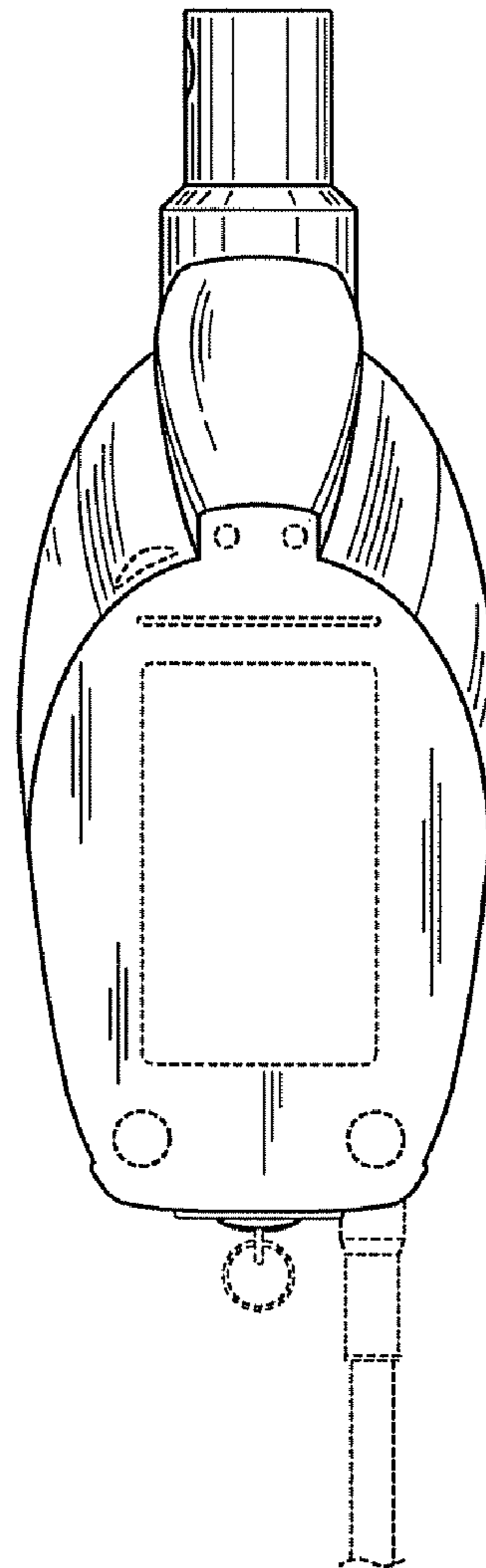


FIG. 7