



US00D656687S

(12) **United States Design Patent**
VanBuuren et al.

(10) **Patent No.:** **US D656,687 S**
(45) **Date of Patent:** **** Mar. 27, 2012**

(54) **DOOR FOR AN ANIMAL HOUSING UNIT**

Primary Examiner — David Muller

(75) Inventors: **Darren VanBuuren**, Grassie (CA);
Marc Jean-Luc Beaudry, Boucherville
(CA)

(74) *Attorney, Agent, or Firm* — Steven M. Greenberg, Esq.;
Carey Rodriguez Greenberg & O’Keefe, LLP

(73) Assignee: **Poly Dome Ontario, Inc.**, Grassie,
Ontario (CA)

(57) **CLAIM**
The ornamental design for a door for an animal housing unit,
as shown and described.

(**) Term: **14 Years**

DESCRIPTION

(21) Appl. No.: **29/380,184**

(22) Filed: **Dec. 1, 2010**

(51) **LOC (9) Cl.** **30-02**

(52) **U.S. Cl.** **D30/119**

(58) **Field of Classification Search** D30/108–120,
D30/161; 119/452–456, 459–464, 480–483,
119/445, 446, 524, 499, 516

See application file for complete search history.

FIG. 1 is a top front perspective view of a first embodiment of
a door for an animal housing unit according to our new
design.

FIG. 2 is a bottom rear perspective view thereof.

FIG. 3 is a right side view thereof.

FIG. 4 is a front view thereof.

FIG. 5 is a left side view thereof.

FIG. 6 is a rear view thereof.

FIG. 7 is a top view thereof.

FIG. 8 is a bottom view thereof.

FIG. 9 is a top front perspective view of a second embodiment
of a door for an animal housing unit according to our new
design; which is a mirror image of the first embodiment.

FIG. 10 is a bottom rear perspective view thereof.

FIG. 11 is a right side view thereof.

FIG. 12 is a front view thereof.

FIG. 13 is a left side view thereof.

FIG. 14 is a rear view thereof.

FIG. 15 is a top view thereof; and,

FIG. 16 is a bottom view thereof.

The broken line showing of parts of the drawings is included
for the purpose of illustrating use and environment and forms
no part of the claimed design.

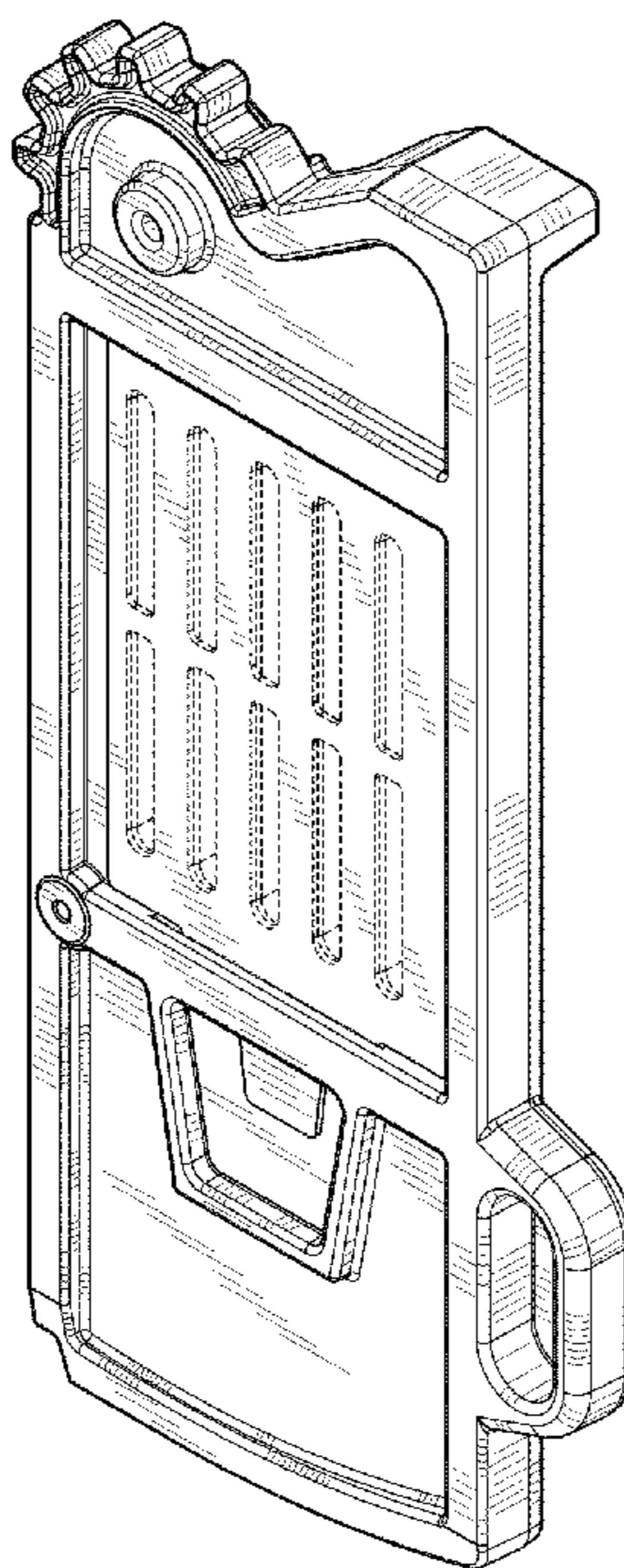
(56) **References Cited**

U.S. PATENT DOCUMENTS

D167,436 S *	8/1952	Yellin	D30/109
D238,883 S *	2/1976	Chailleux et al.	D30/108
D334,087 S *	3/1993	Goetz	D30/108
D335,727 S *	5/1993	Kahl et al.	D30/108
D343,481 S *	1/1994	Hampel	D30/108
D346,676 S *	5/1994	Hopper et al.	D30/108
D347,302 S *	5/1994	Maple	D30/110
D351,688 S *	10/1994	Northrop et al.	D30/119
6,539,895 B2 *	4/2003	Hoagland	119/453
7,246,572 B1 *	7/2007	Wade	119/516
D570,556 S *	6/2008	Richardson	D30/109
D584,458 S *	1/2009	You et al.	D30/109
D590,108 S *	4/2009	Pierce et al.	D30/108

* cited by examiner

1 Claim, 8 Drawing Sheets



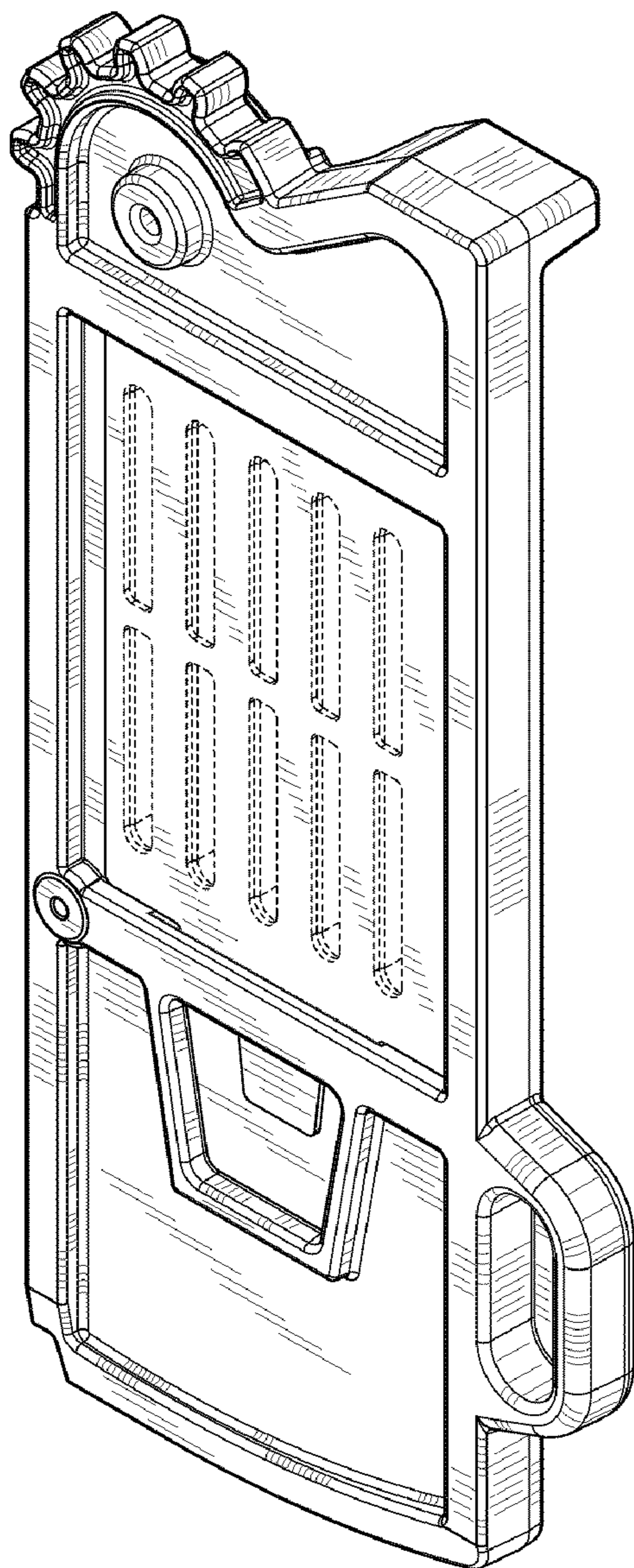


FIG. 1

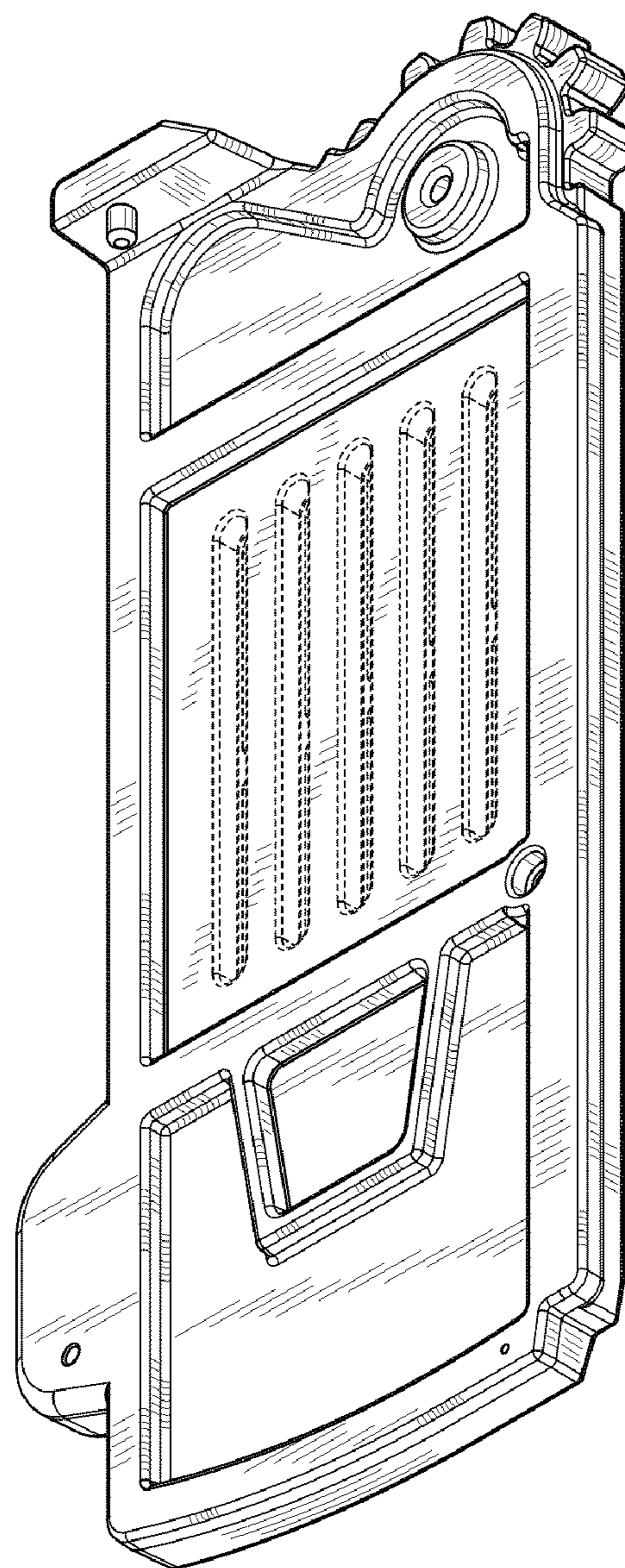


FIG. 2

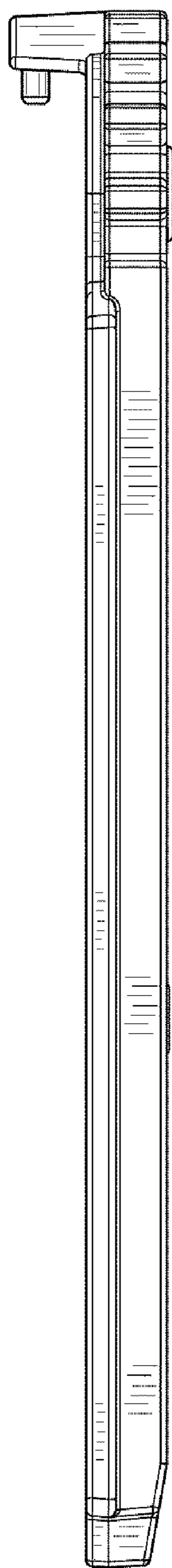


FIG. 3

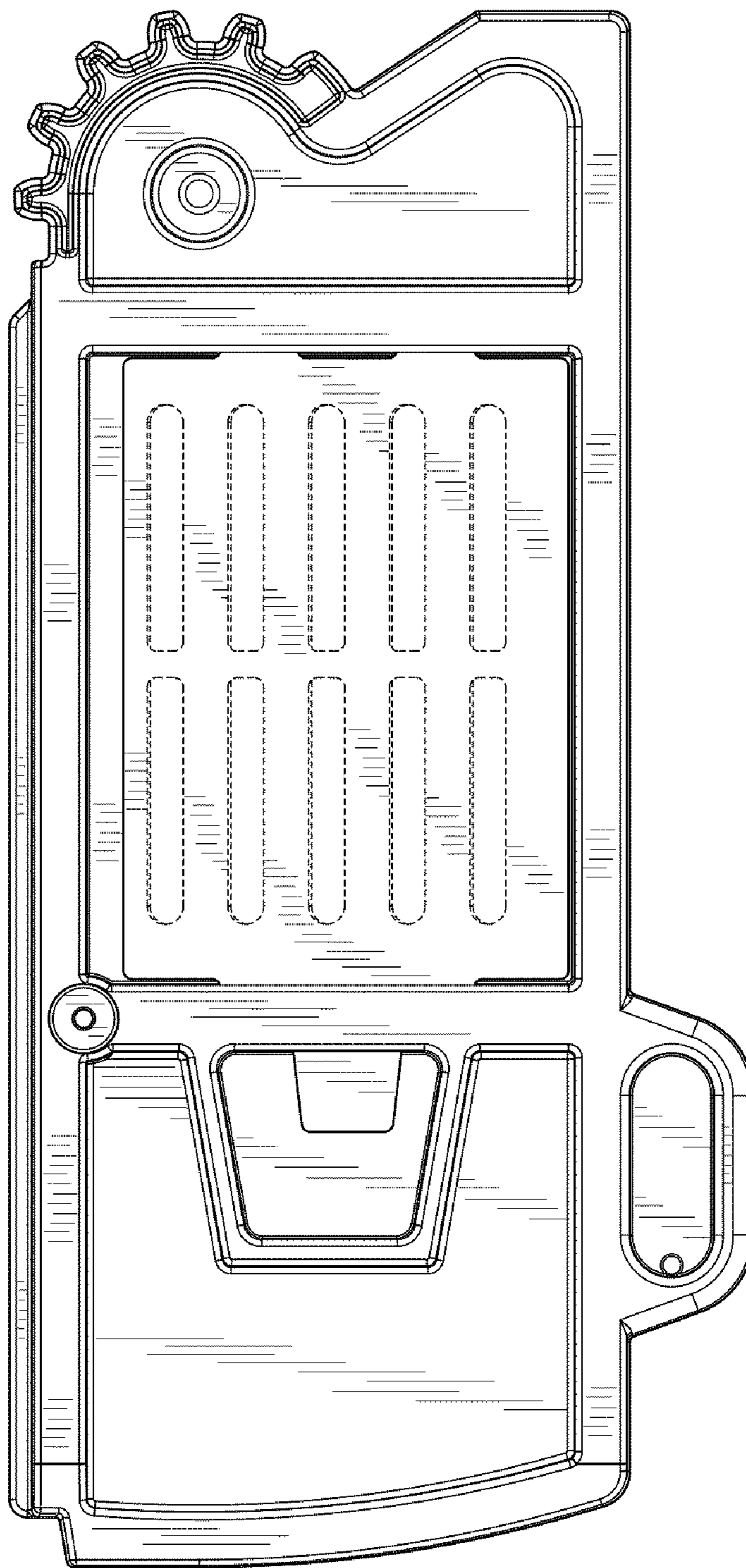


FIG. 4

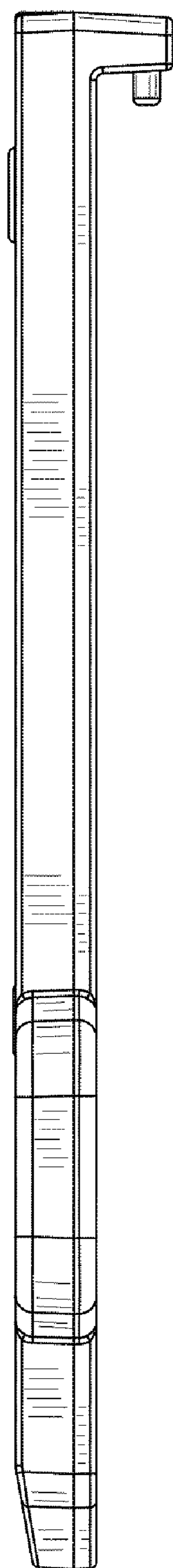


FIG. 5

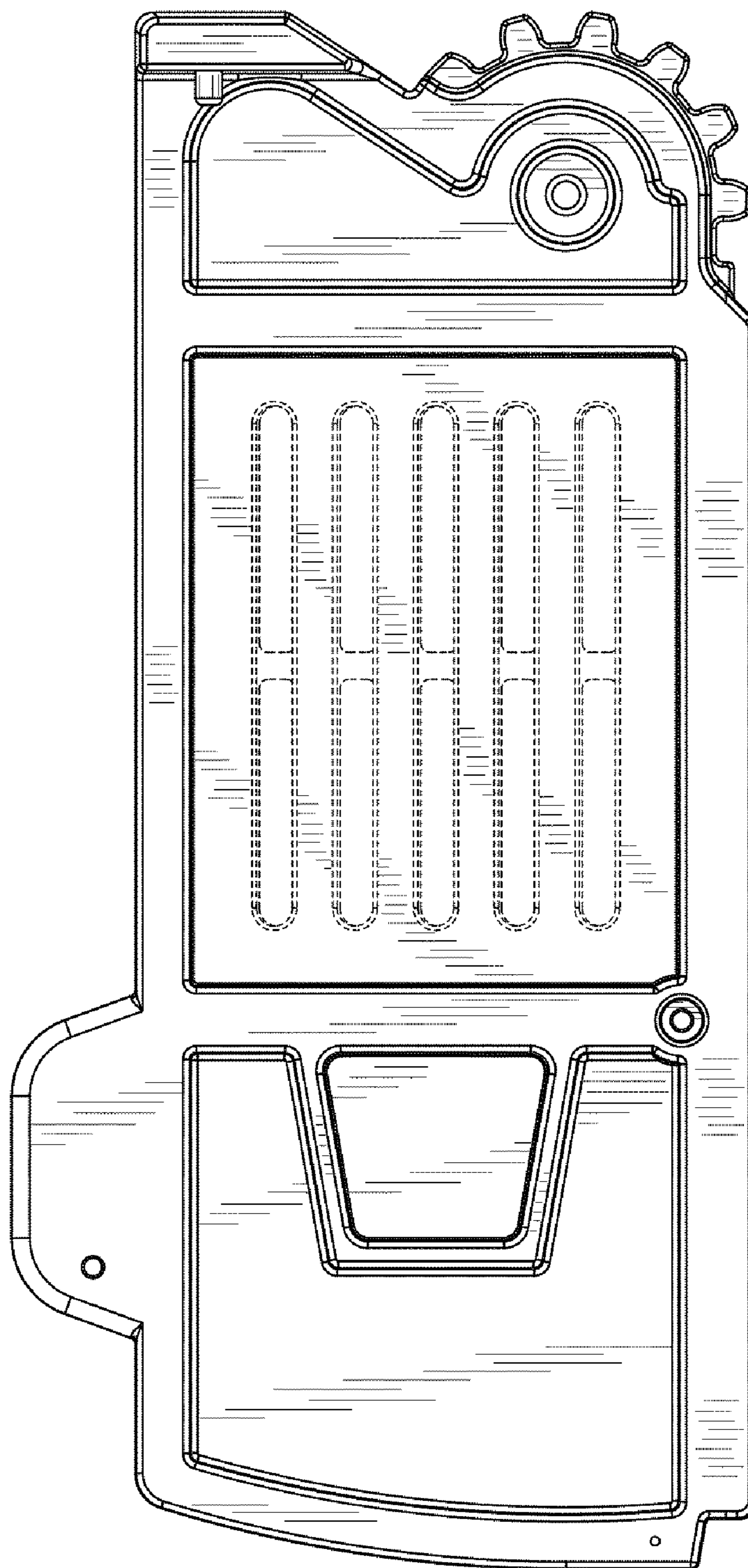


FIG. 6

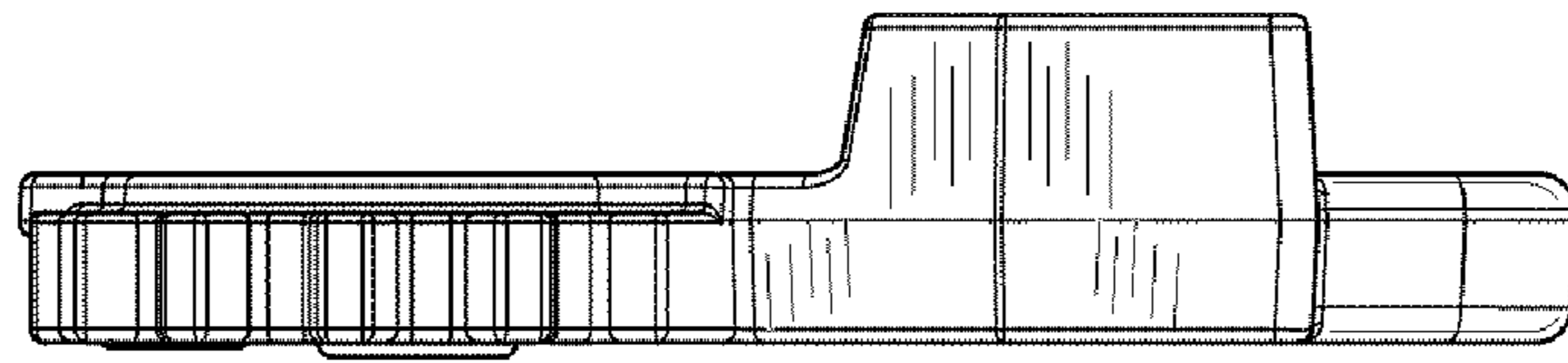


FIG. 7

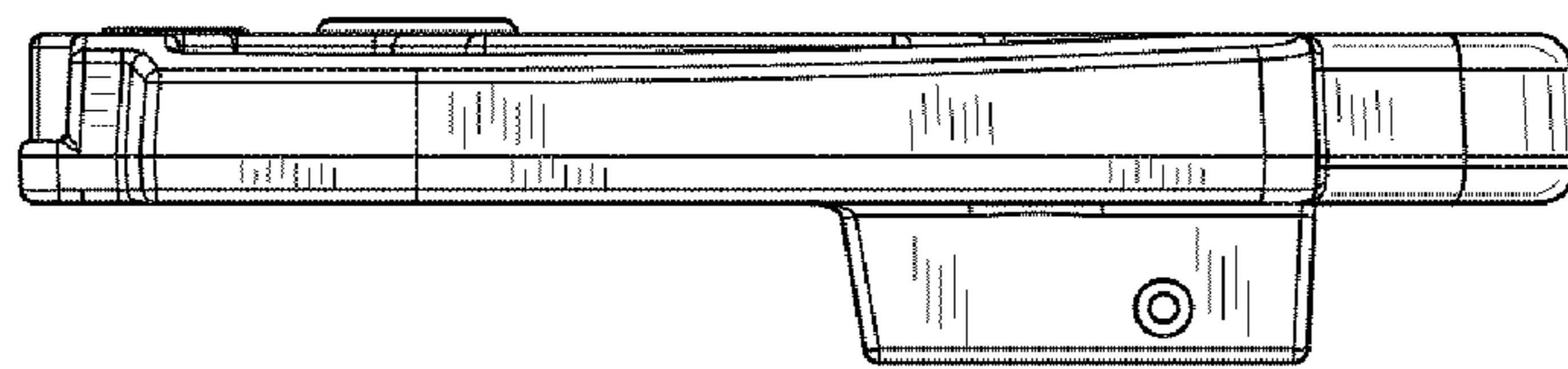


FIG. 8

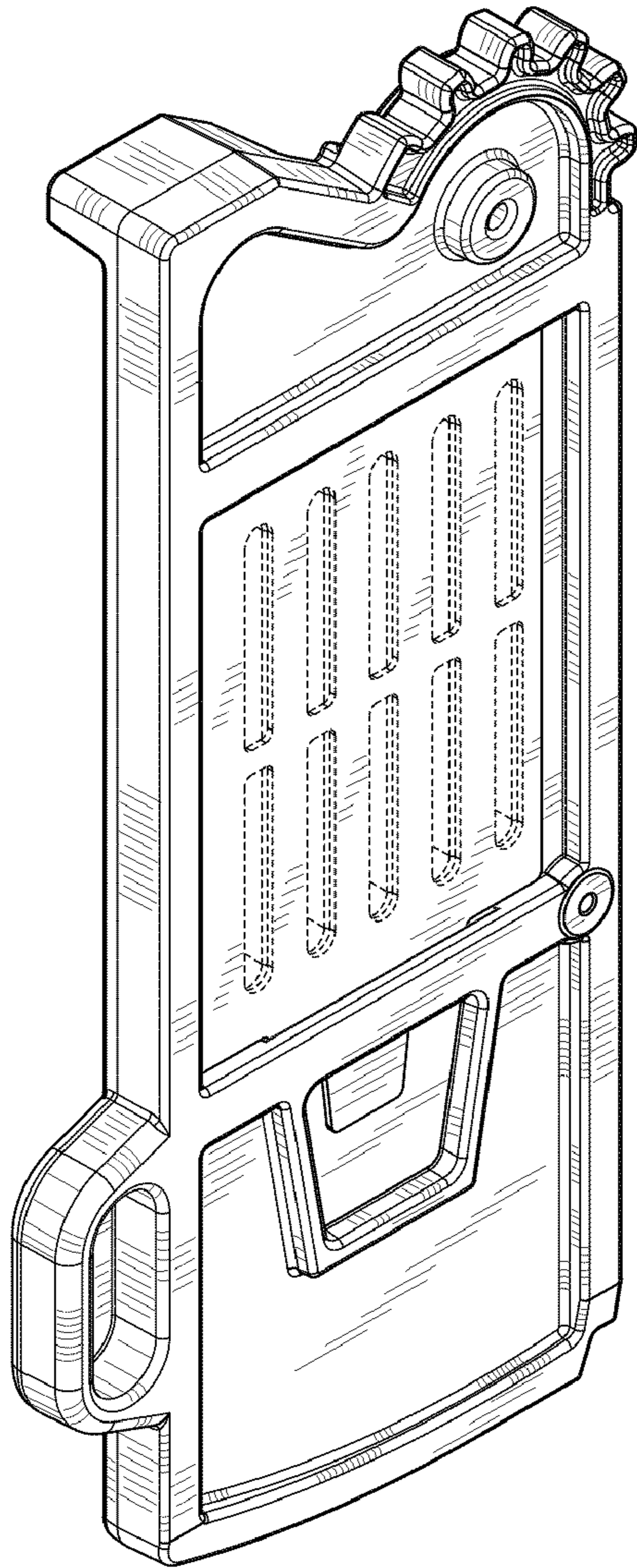


FIG. 9

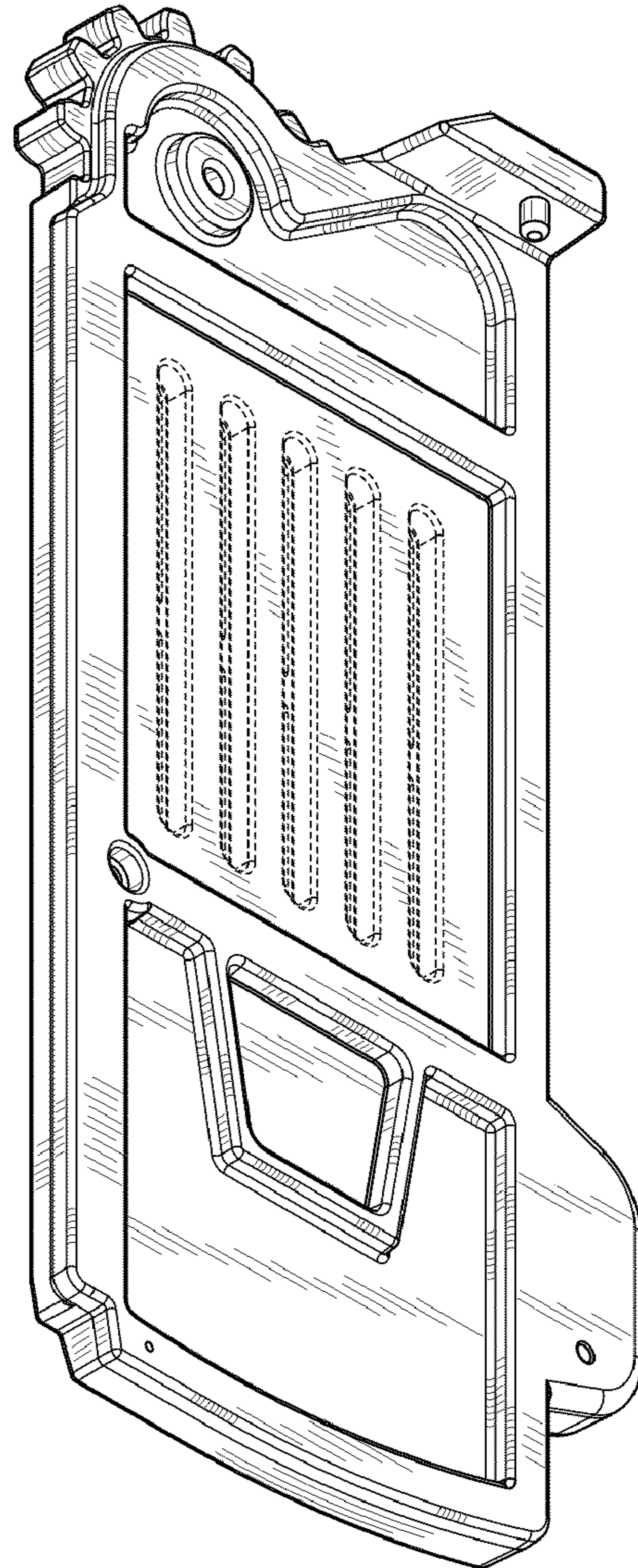


FIG. 10

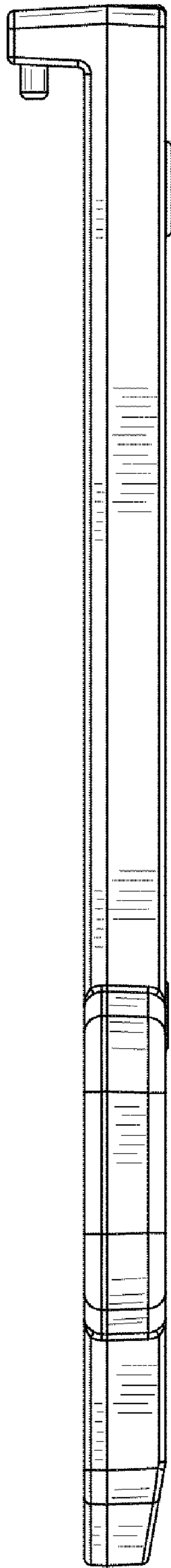


FIG. 11

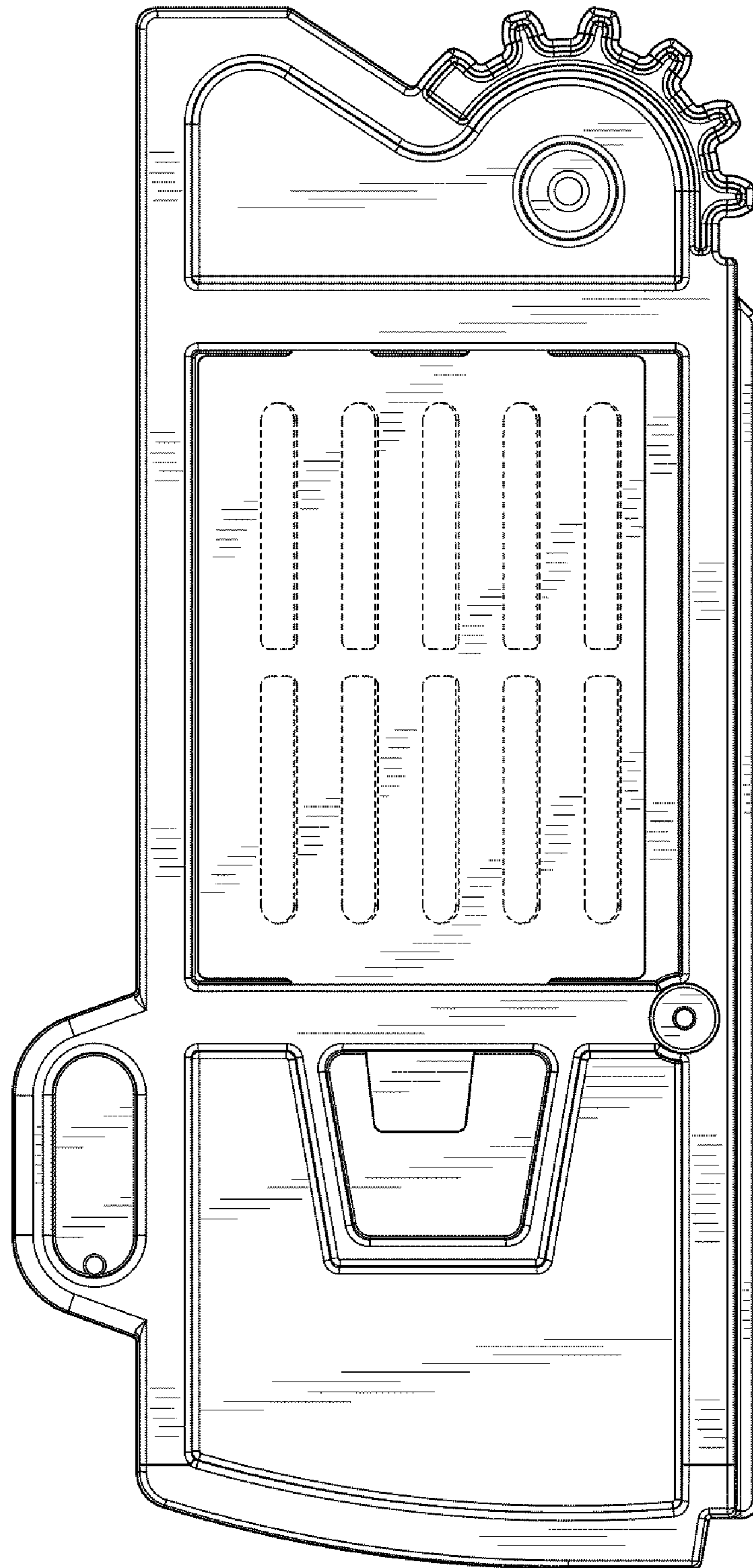


FIG. 12

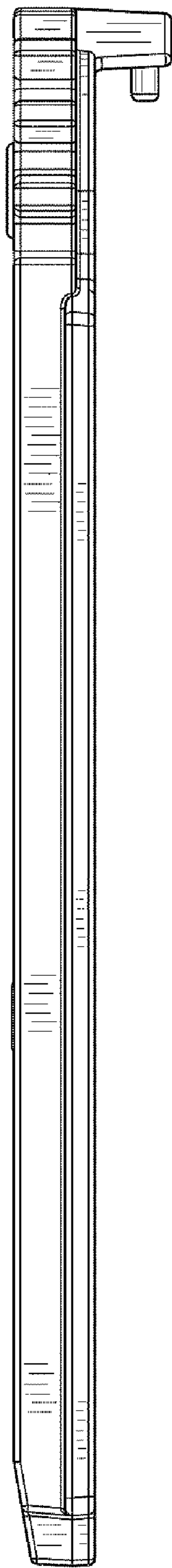


FIG. 13

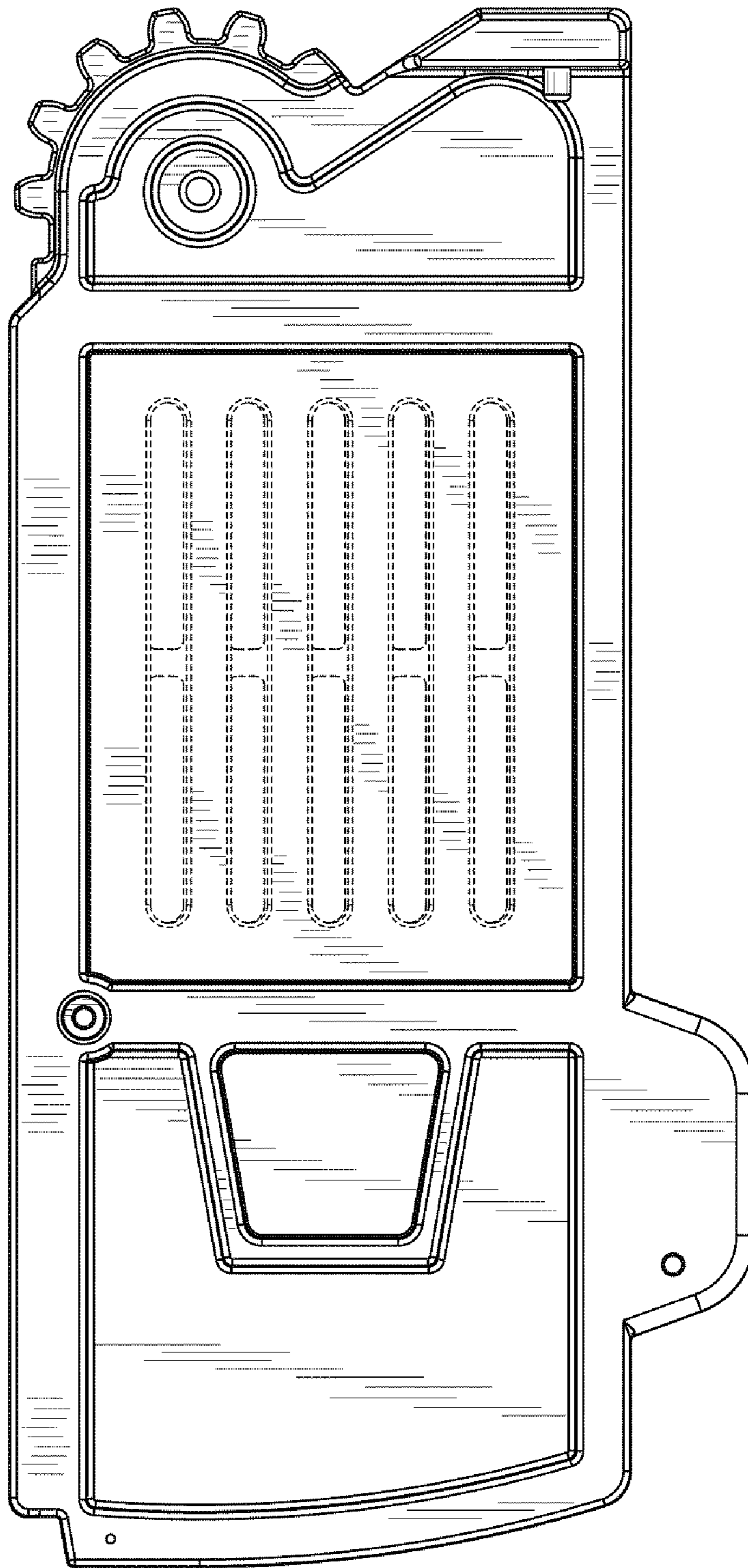


FIG. 14

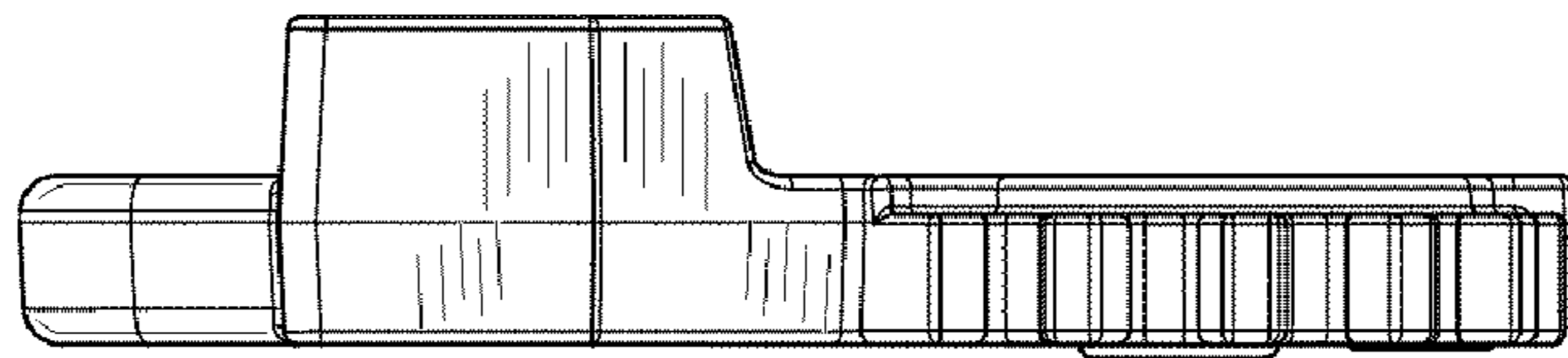


FIG. 15

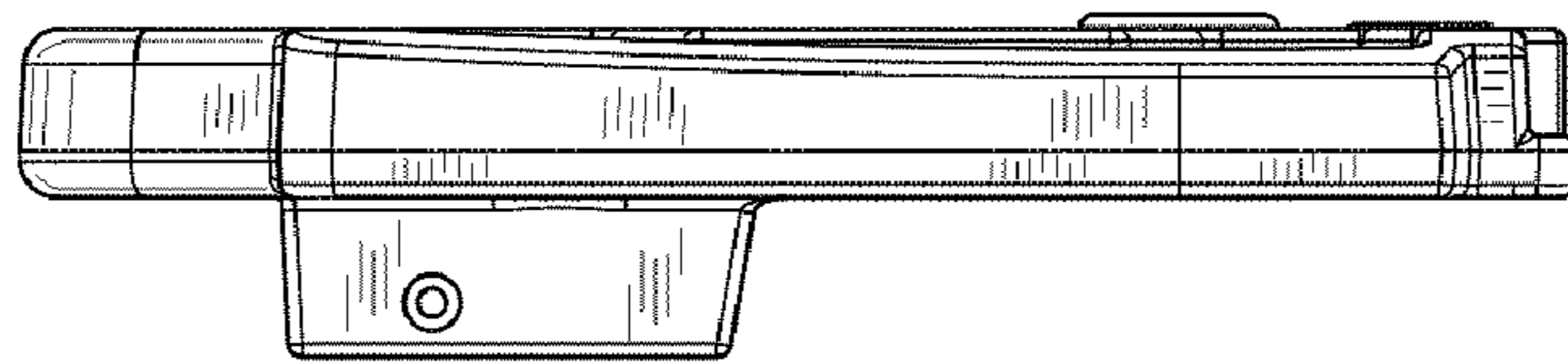


FIG. 16